

US00D666145S

(12) **United States Design Patent**
Kim et al.

(10) **Patent No.:** **US D666,145 S**

(45) **Date of Patent:** **** Aug. 28, 2012**

(54) **CHARGER FOR MOBILE PHONE**
(75) Inventors: **Joonhyung Kim**, Gyeonggi-do (KR);
Dongeun Kim, Seoul (KR)

(73) Assignee: **LG Electronics Inc.**, Seoul (KR)

(**) Term: **14 Years**

(21) Appl. No.: **29/414,845**

(22) Filed: **Mar. 5, 2012**

(30) **Foreign Application Priority Data**

Sep. 6, 2011 (KR) 30-2011-0037312

(51) **LOC (9) Cl.** **13-02**

(52) **U.S. Cl.** **D13/108**

(58) **Field of Classification Search** D13/107-110,
D13/118-119, 184; D14/251, 253, 432,
D14/434; 320/107-115

See application file for complete search history.

(56) **References Cited**

U.S. PATENT DOCUMENTS

D411,835 S *	7/1999	Mizusugi et al.	D14/434
D520,946 S *	5/2006	Nasu	D13/108
D540,802 S *	4/2007	Hussaini et al.	D14/434
D575,786 S *	8/2008	Solomon et al.	D14/434
D598,453 S *	8/2009	Solomon et al.	D14/434
D623,132 S *	9/2010	Yano	D13/108

D631,009 S *	1/2011	Son et al.	D13/108
D639,810 S *	6/2011	Hwang et al.	D14/434
D642,123 S *	7/2011	Joung	D13/108
D657,741 S *	4/2012	Fahrendorff et al.	D13/108
D659,092 S *	5/2012	Kawano et al.	D13/108

* cited by examiner

Primary Examiner — Rosemary K Tarcza

(74) *Attorney, Agent, or Firm* — Birch, Stewart, Kolasch & Birch, LLP

(57) **CLAIM**

The ornamental design for a charger for mobile phone, as shown and described.

DESCRIPTION

FIG. 1 is a perspective view of a charger for mobile phone showing our new design;
FIG. 2 is a front view thereof;
FIG. 3 is a rear view thereof;
FIG. 4 is a left side view thereof;
FIG. 5 is a right side view thereof;
FIG. 6 is a top plan view thereof;
FIG. 7 is a bottom plan view thereof; and,
FIG. 8 is a perspective view showing an example of the usage of the subject design in which the present design is used together with a mobile phone.

The broken lines are for illustrative purposes only and form no part of the claimed design.

1 Claim, 5 Drawing Sheets

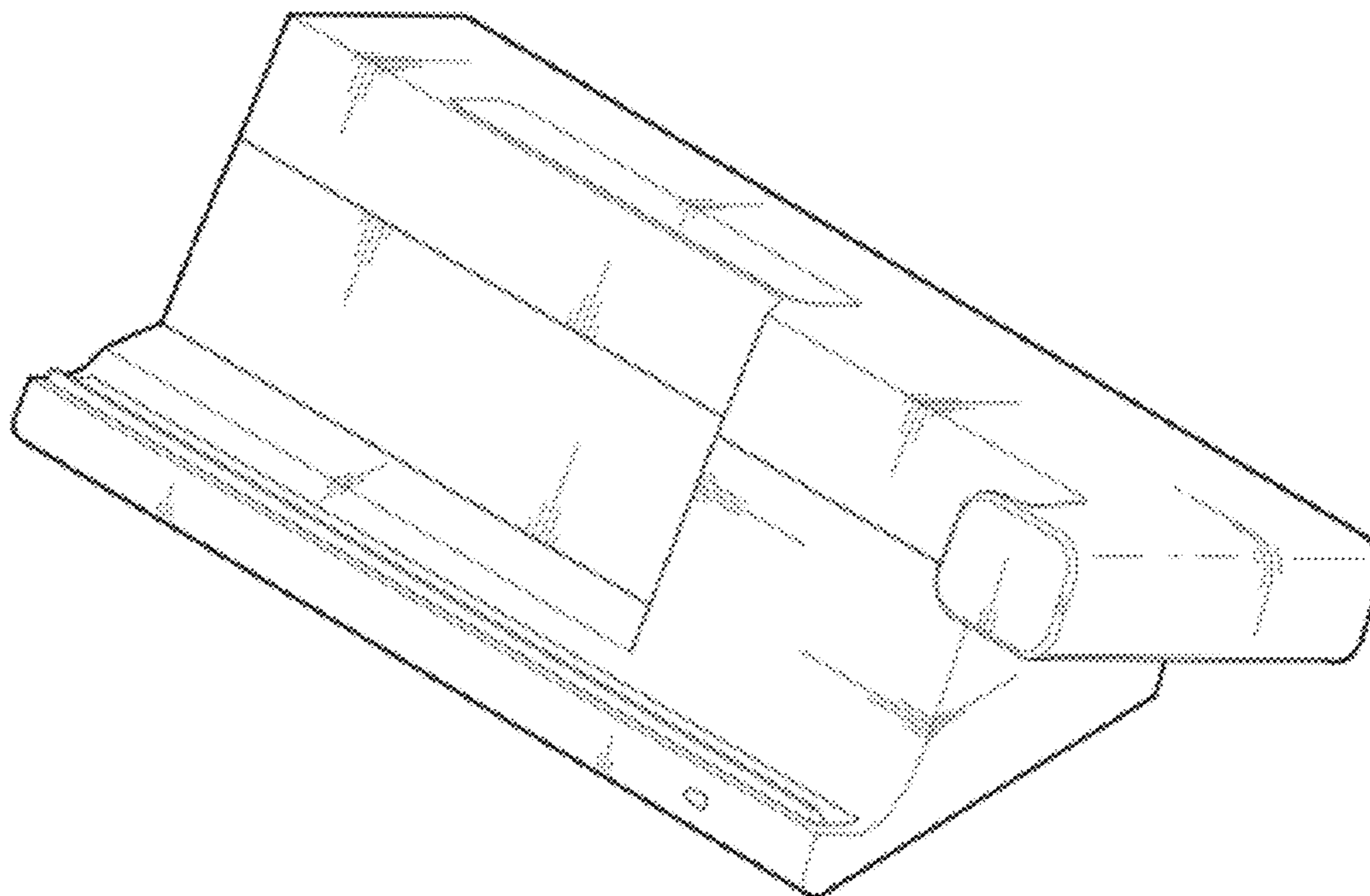


FIG. 1

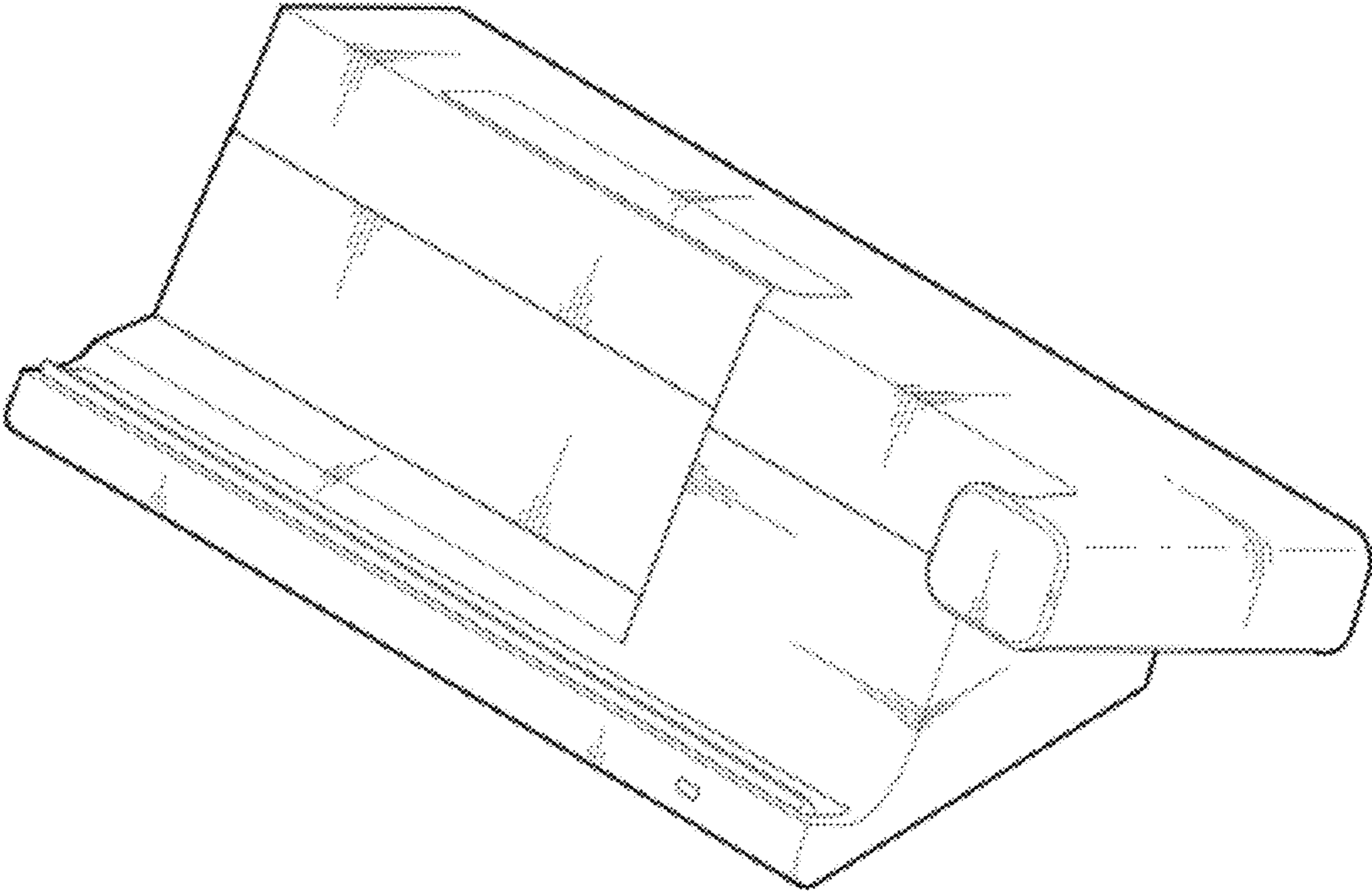


FIG. 2

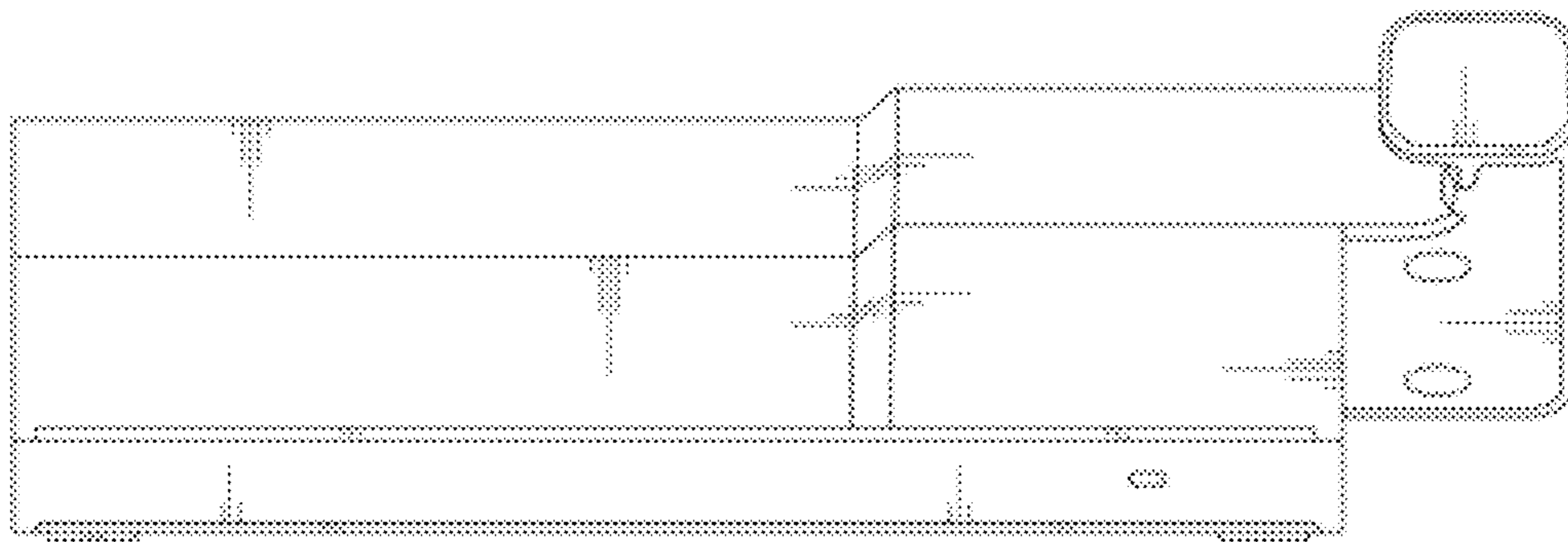


FIG. 3

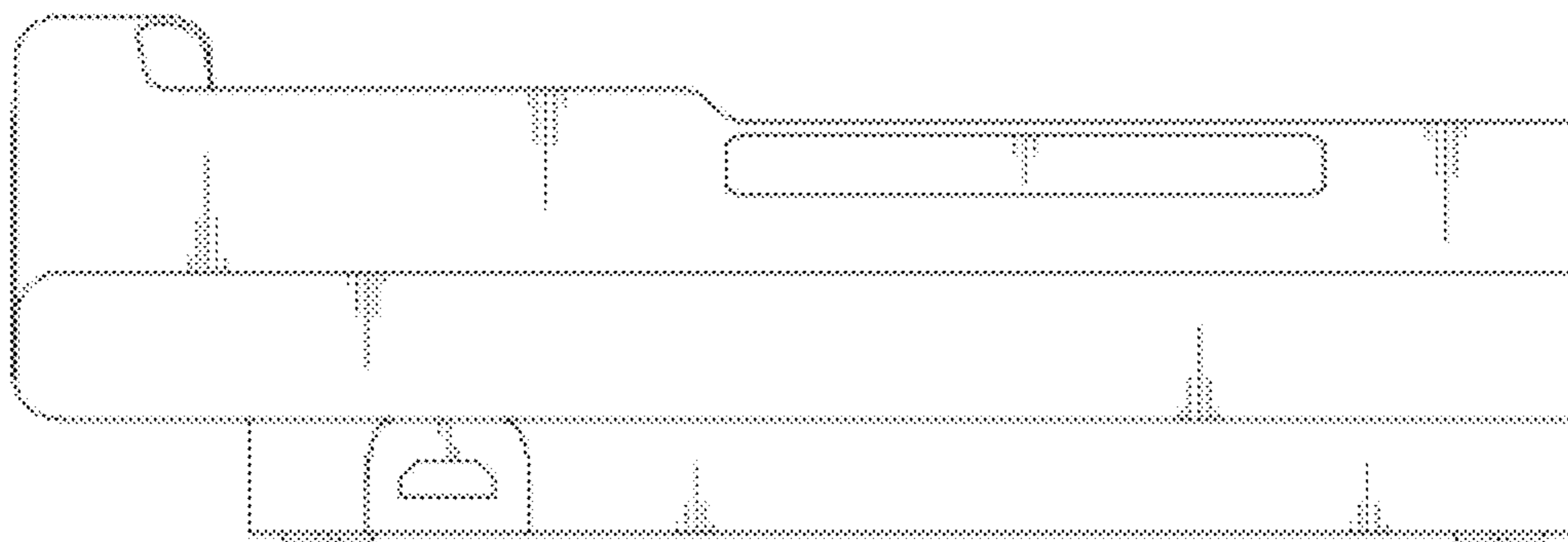


FIG. 4

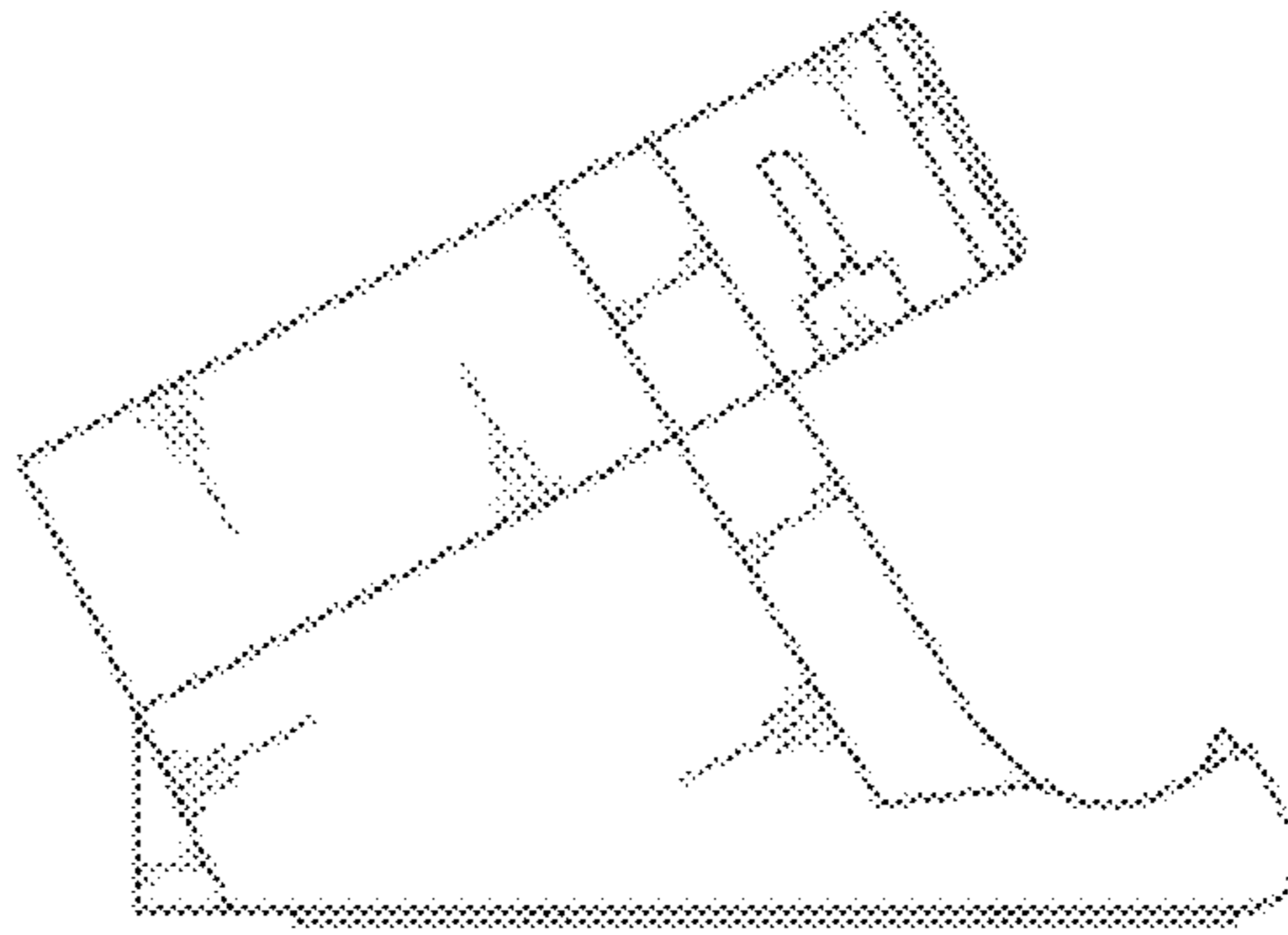


FIG. 5

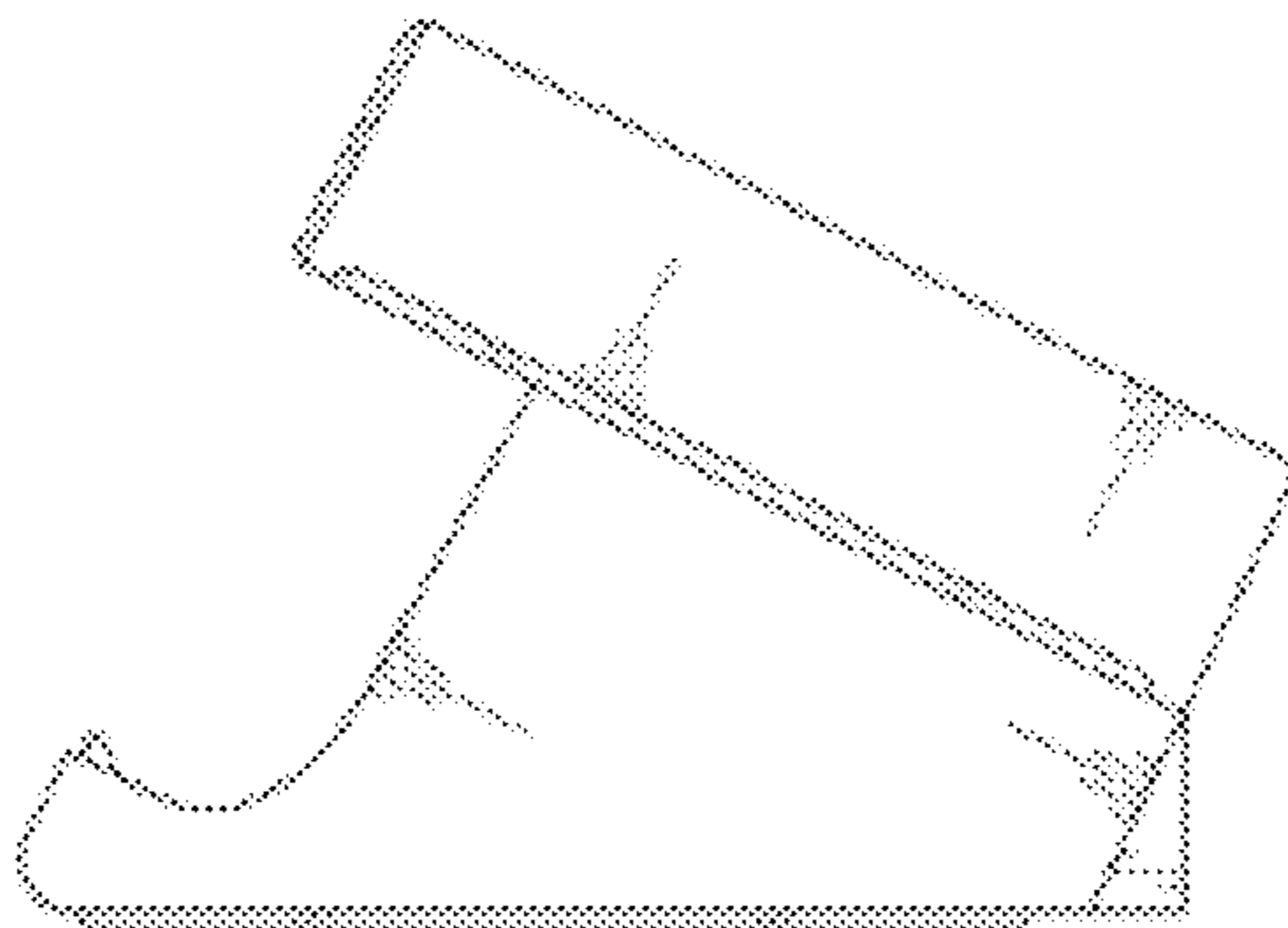


FIG. 6

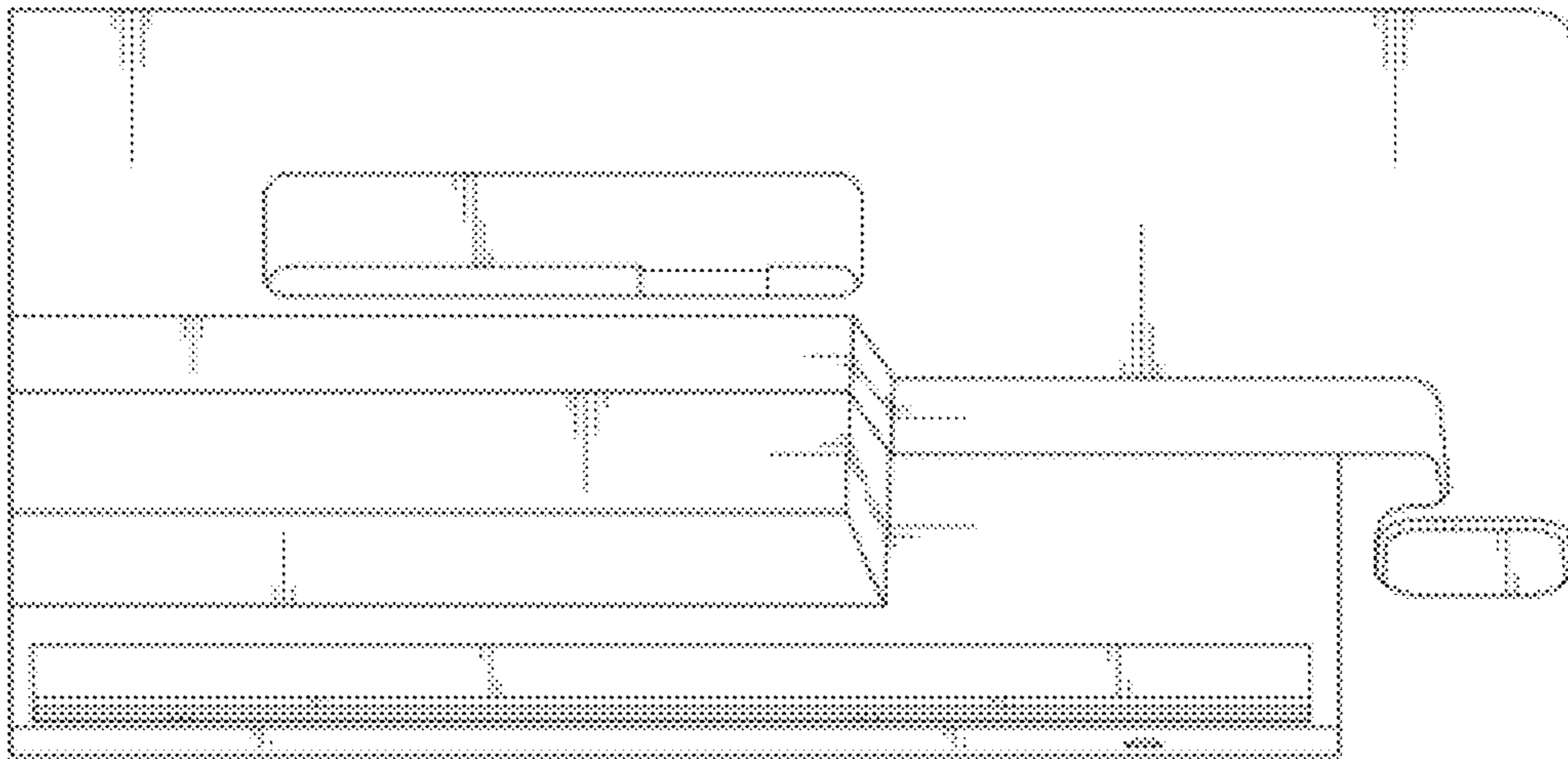


FIG. 7

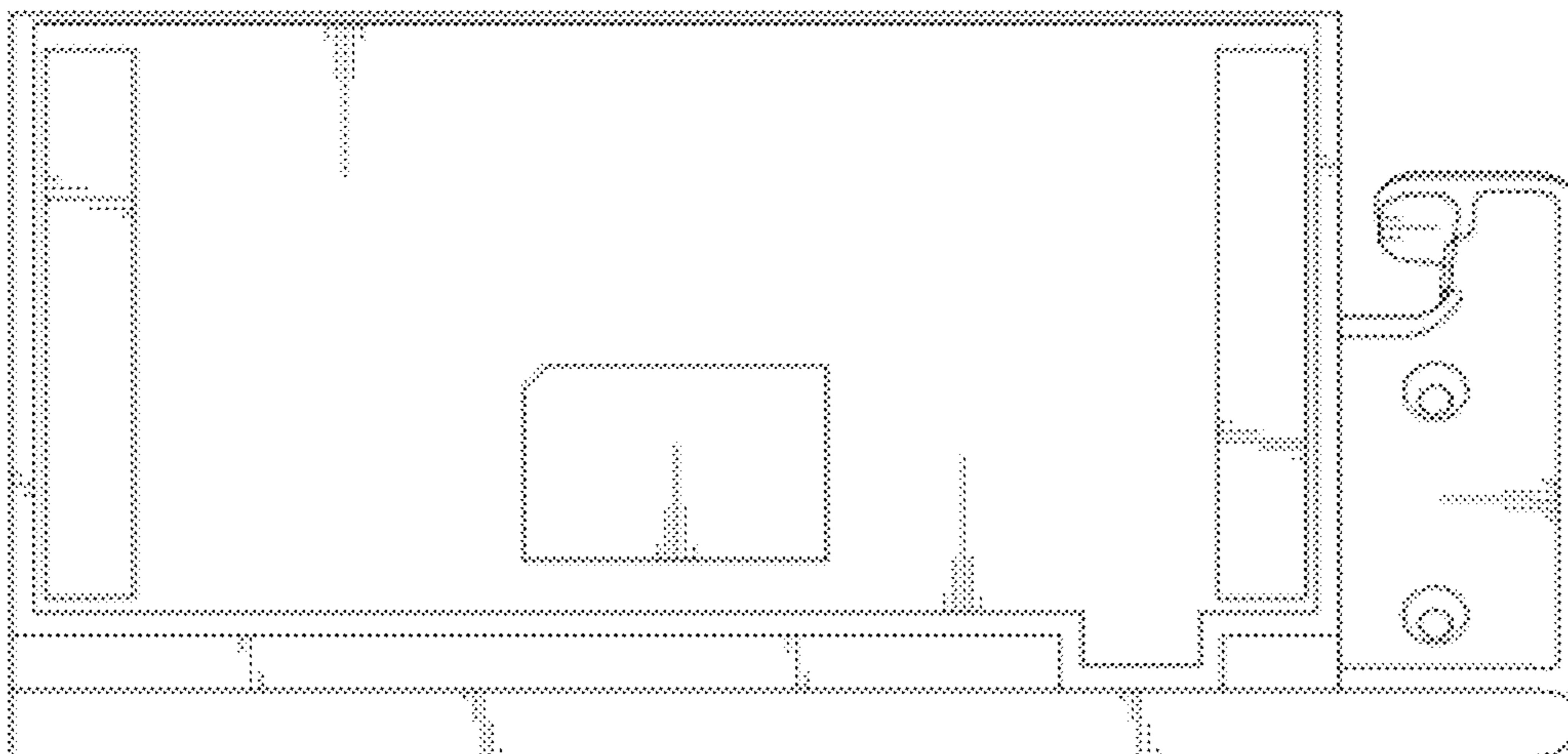


FIG. 8

