



US00D666144S

(12) **United States Design Patent**
Brand et al.

(10) **Patent No.:** **US D666,144 S**

(45) **Date of Patent:** **** Aug. 28, 2012**

(54) **UNIVERSAL BATTERY PACK**

(75) Inventors: **Matthew Brand**, Brooklyn, NY (US);
William Westwood, Escondido, CA
(US); **Nguyen To**, Corona, CA (US)

(73) Assignee: **Mophie, Inc.**, Santa Ana, CA (US)

(**) Term: **14 Years**

(21) Appl. No.: **29/399,909**

(22) Filed: **Aug. 19, 2011**

(51) **LOC (9) Cl.** **13-02**

(52) **U.S. Cl.** **D13/103; D13/108**

(58) **Field of Classification Search** D13/102-110,
D13/118-119, 184, 199; D14/250-253,
D14/432, 434; 320/101-102, 107-115, 120;
429/96-100, 149, 159, 163, 176, 177, 186

See application file for complete search history.

(56) **References Cited**

U.S. PATENT DOCUMENTS

D460,411 S *	7/2002	Wang	D13/103
D601,955 S *	10/2009	Ekmekdje	D13/108
D601,959 S *	10/2009	Lee et al.	D13/119
D610,538 S *	2/2010	Wu et al.	D13/103
D632,648 S *	2/2011	Yang	D13/108

D634,704 S *	3/2011	Tieleman et al.	D13/102
D637,952 S *	5/2011	Tan	D13/108
D639,731 S *	6/2011	Sun	D13/103
2008/0053770 A1 *	3/2008	Tynyk	190/100
2009/0051319 A1 *	2/2009	Fang et al.	320/115

* cited by examiner

Primary Examiner — Rosemary K Tarcza

(74) *Attorney, Agent, or Firm* — Duane Morris LLP

(57) **CLAIM**

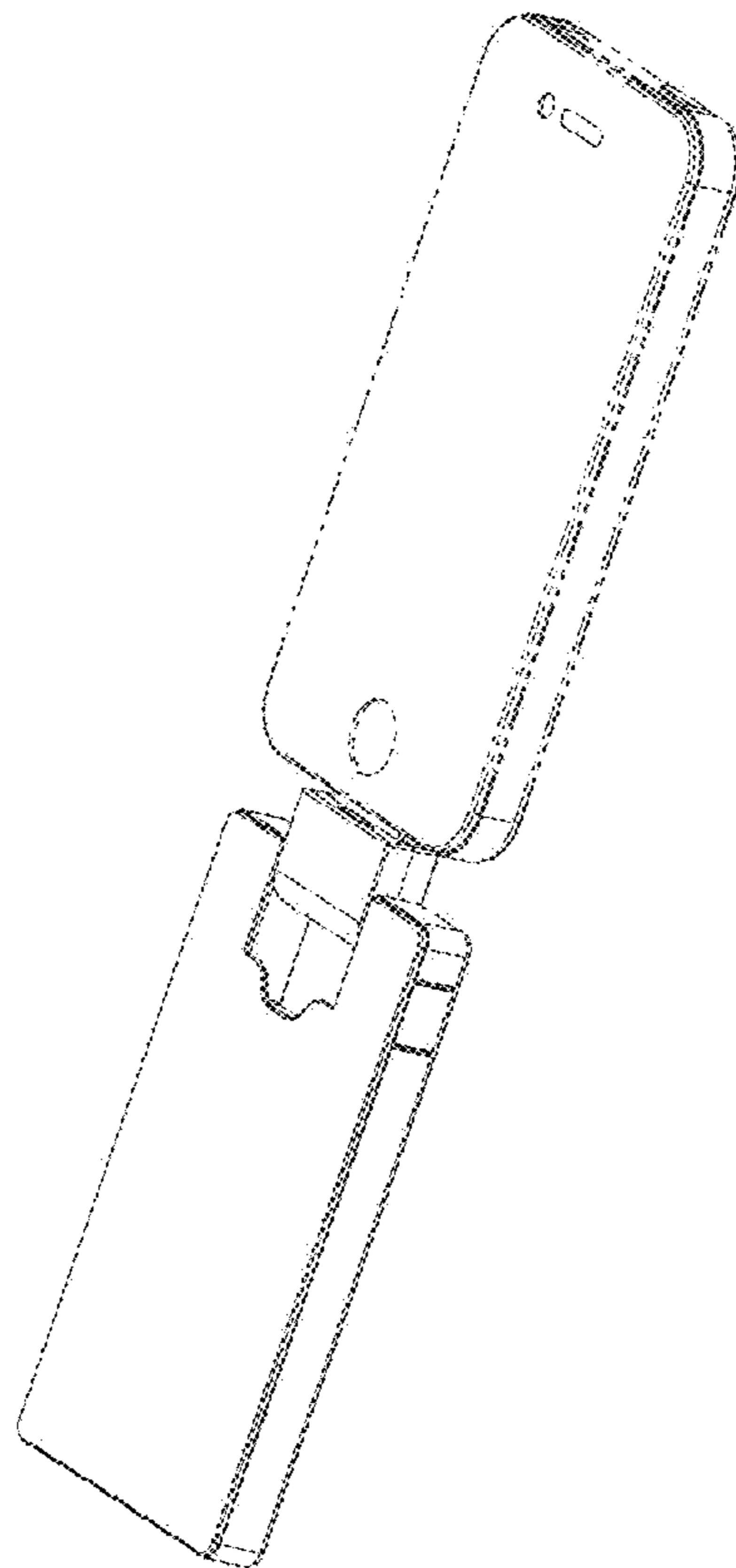
The ornamental design for a universal battery pack, as shown and described in the Figures.

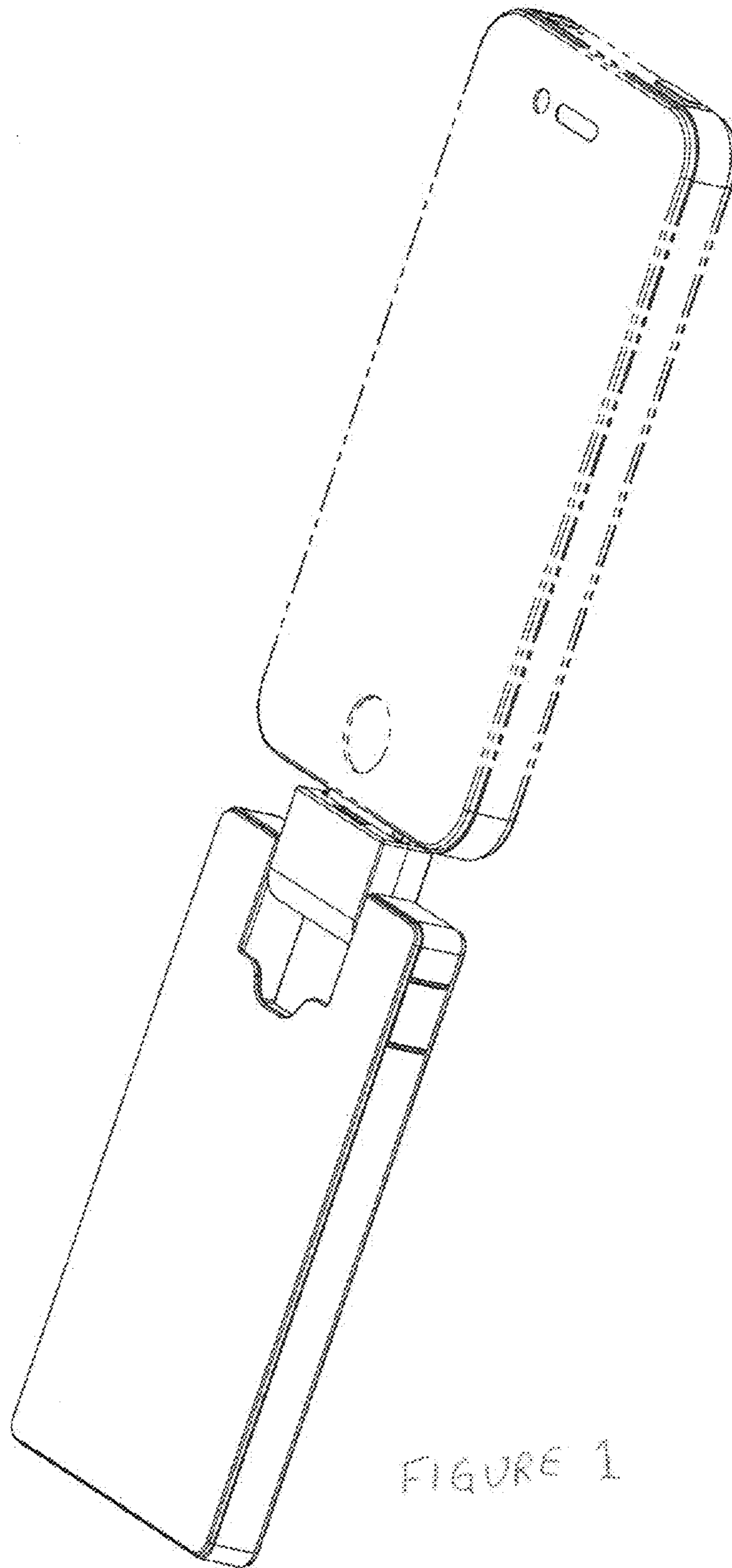
DESCRIPTION

FIG. 1 is a three-quarter perspective view of the universal battery pack attached to the mobile computing device; FIG. 2 is a perspective view of the universal battery pack in an alternate position, attached to the mobile computing device while acting as a stand for the mobile computing device; and, FIG. 3 is another perspective view of the universal battery pack in an alternate position, attached to the mobile computing device while acting as a stand for the mobile computing device.

The broken lines showing the mobile computing device are for the purpose of illustrating environmental structure, and forms no part of the claimed design.

1 Claim, 3 Drawing Sheets





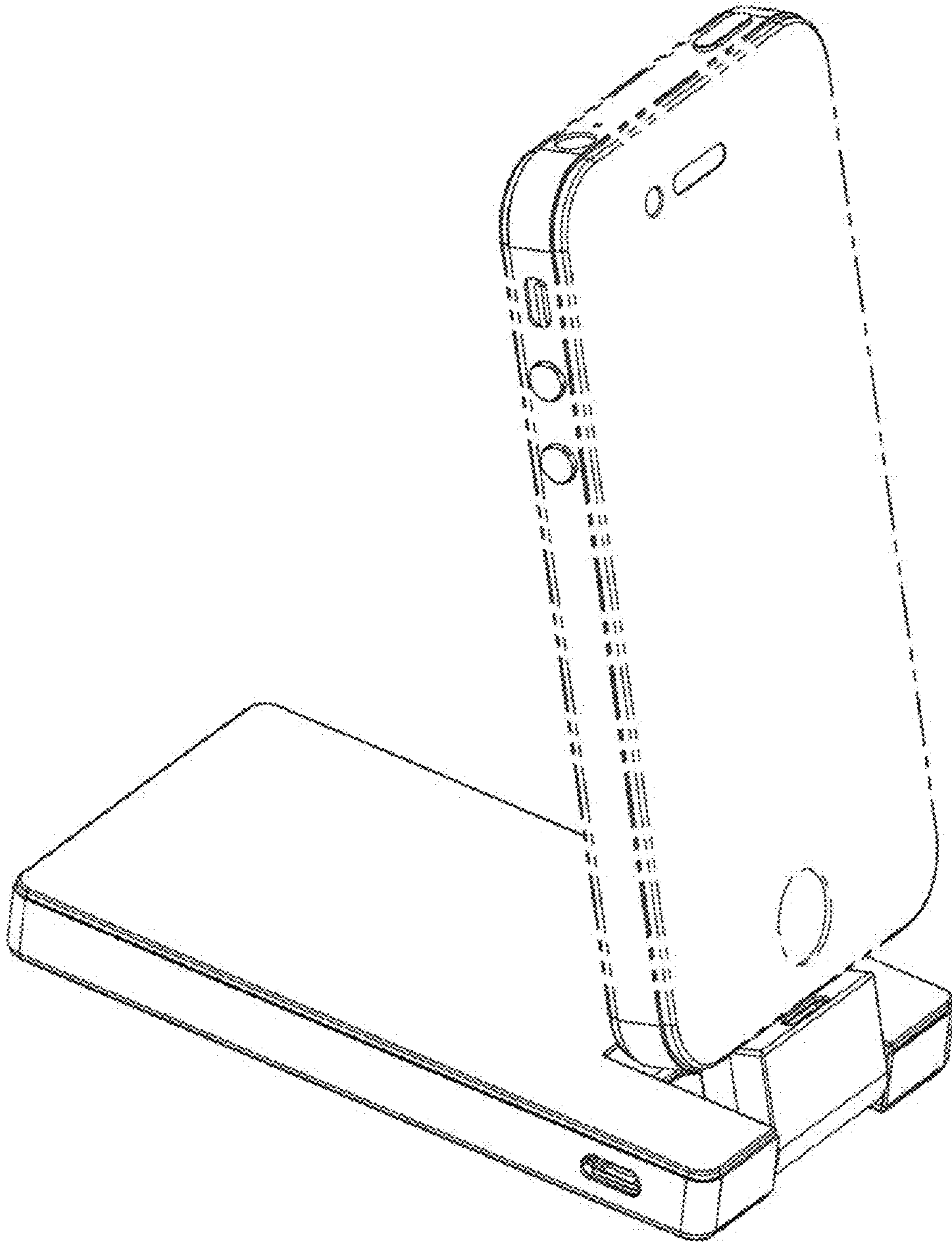


FIGURE 2

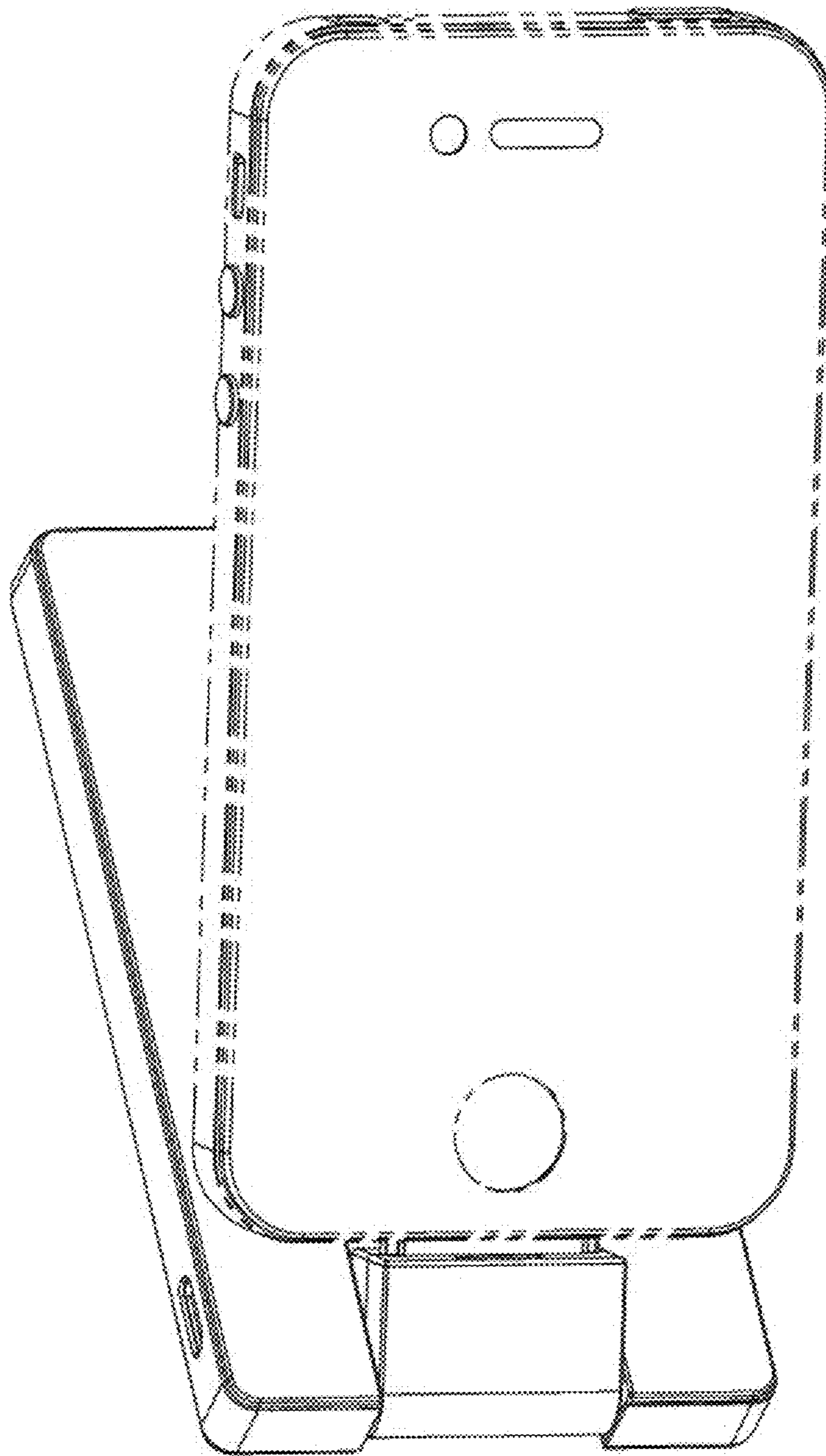


FIGURE 3