

US00D666139S

(12) **United States Design Patent**
Miyazaki

(10) **Patent No.:** **US D666,139 S**

(45) **Date of Patent:** **** Aug. 28, 2012**

(54) **TIRE**

(75) Inventor: **Tetsuji Miyazaki**, Osaka (JP)

(73) Assignee: **Toyo Tire & Rubber Co., Ltd.**, Osaka (JP)

(**) Term: **14 Years**

(21) Appl. No.: **29/382,853**

(22) Filed: **Jan. 7, 2011**

(30) **Foreign Application Priority Data**

Nov. 25, 2010 (JP) 2010-028171

(51) **LOC (9) Cl.** **12-16**

(52) **U.S. Cl.** **D12/531**

(58) **Field of Classification Search** D12/505-532;
152/209.1, 209.8, 209.9, 209.12, 209.18,
152/209.25

See application file for complete search history.

(56) **References Cited**

U.S. PATENT DOCUMENTS

D575,725 S * 8/2008 Hirai et al. D12/518
D604,688 S * 11/2009 Sato D12/514

FOREIGN PATENT DOCUMENTS

JP	1137586	4/2002
JP	1154155	9/2002
JP	1279586	8/2006
JP	1290865	1/2007
JP	1299695	5/2007
JP	1327924	4/2008
JP	1337433	8/2008

OTHER PUBLICATIONS

Continental Tires, Continental Tires-ContiWinter Contact™, TS 810, <http://www.conti-online.com/generator/www/jp/jp/continental/tires/themes/car-tyres/winter-tyres/...>, 2 pages.

* cited by examiner

Primary Examiner — George D Kirschbaum

(74) *Attorney, Agent, or Firm* — Sterne, Kessler, Goldstein & Fox PLLC

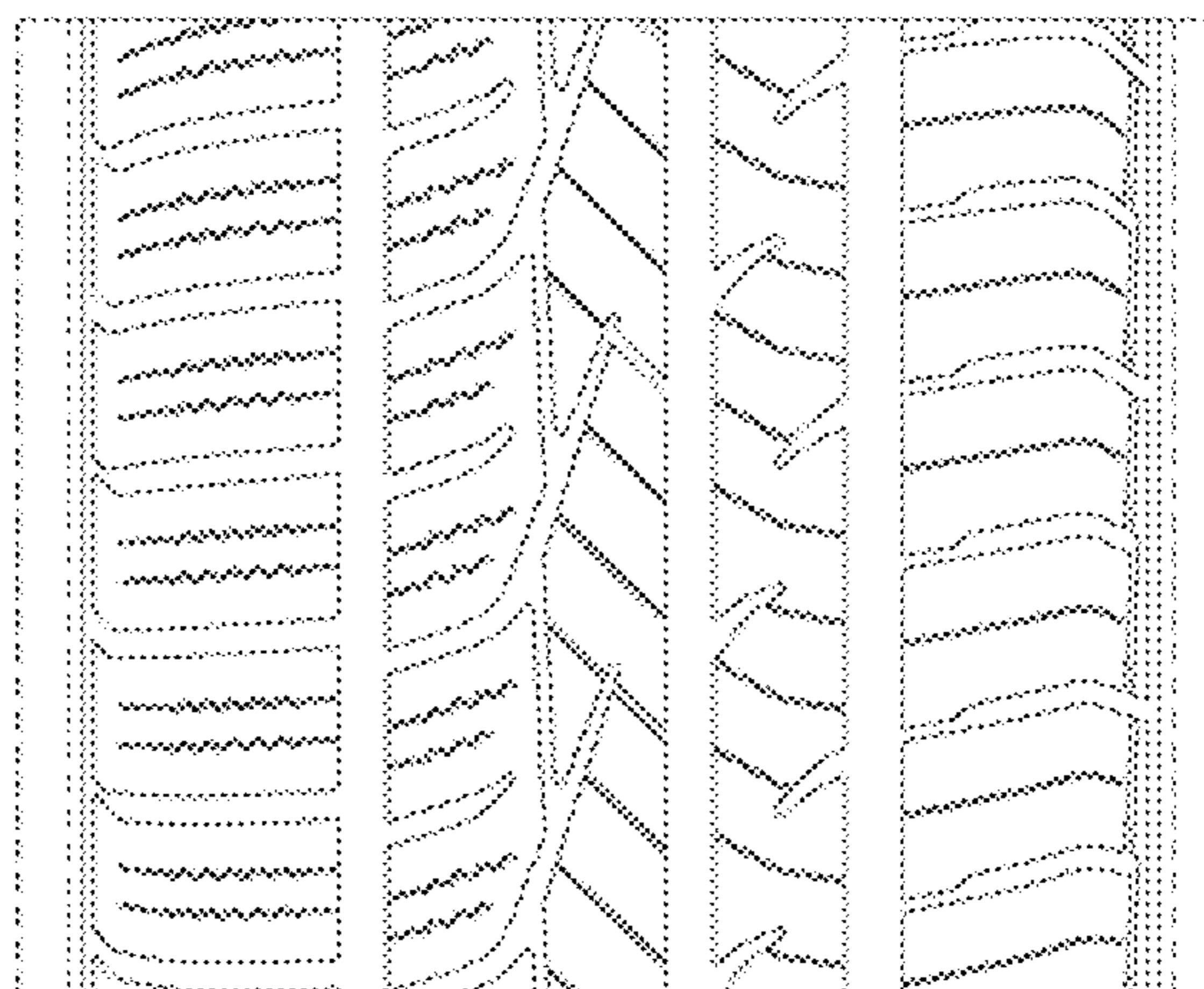
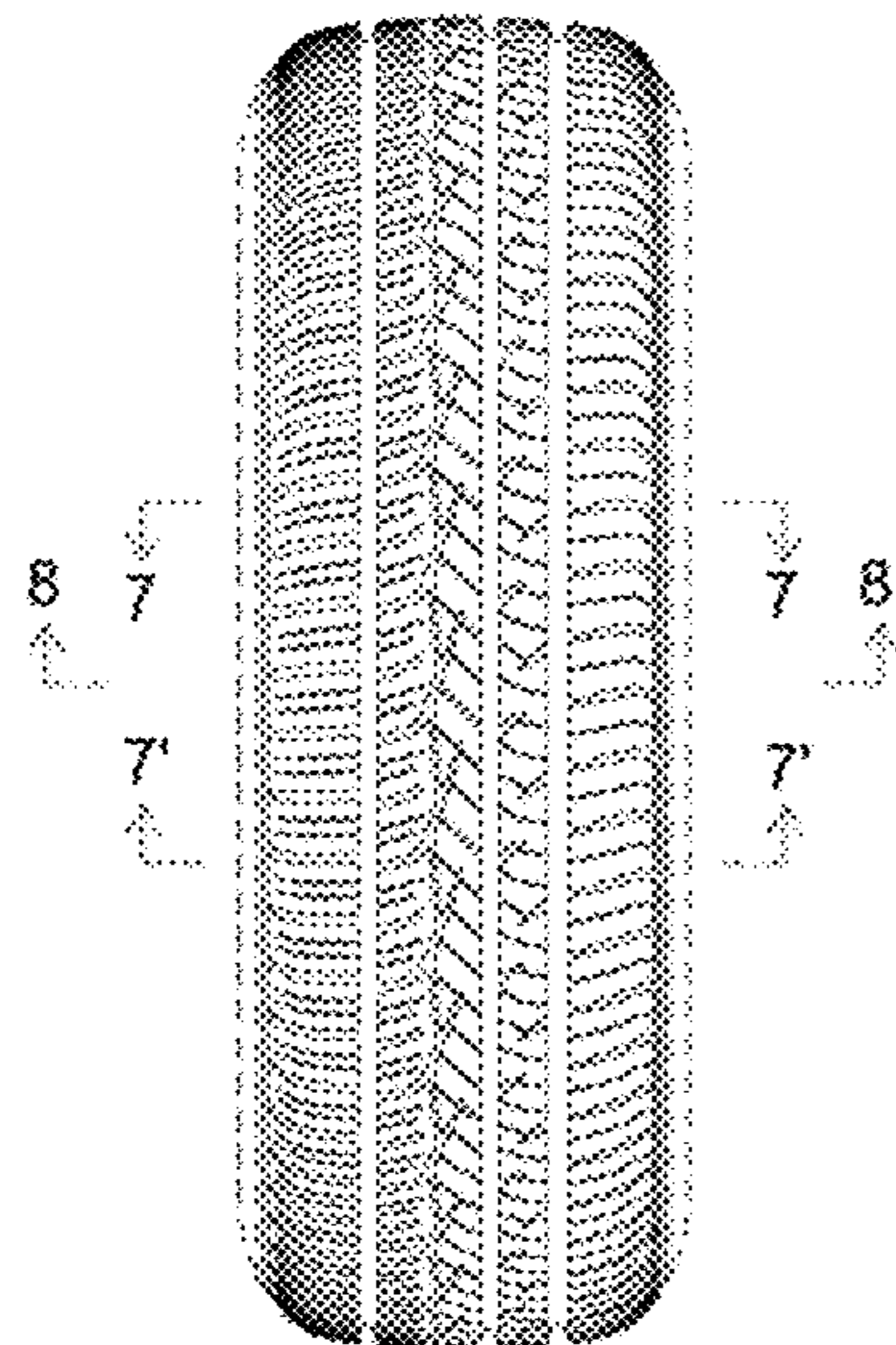
(57) **CLAIM**

The ornamental design for a tire, as shown and described.

DESCRIPTION

FIG. 1 is a front view of a tire showing my new design;
FIG. 2 is a rear view thereof;
FIG. 3 is a top plan view thereof, for which the bottom plan view is the same;
FIG. 4 is a left side view thereof;
FIG. 5 is a right side view thereof;
FIG. 6 is a perspective view thereof;
FIG. 7 is an enlarged view taken along lines 7-7 and 7'-7' in FIG. 1; and,
FIG. 8 is an enlarged cross-sectional view taken along line 8-8 in FIG. 1 and line 8'-8' in FIG. 5.
In the drawings, the broken lines defining portions of the sidewall, inner bead, and the peripheral boundary between the claimed tire tread and sidewall depict environmental subject matter that forms no part of the claimed design.

1 Claim, 8 Drawing Sheets



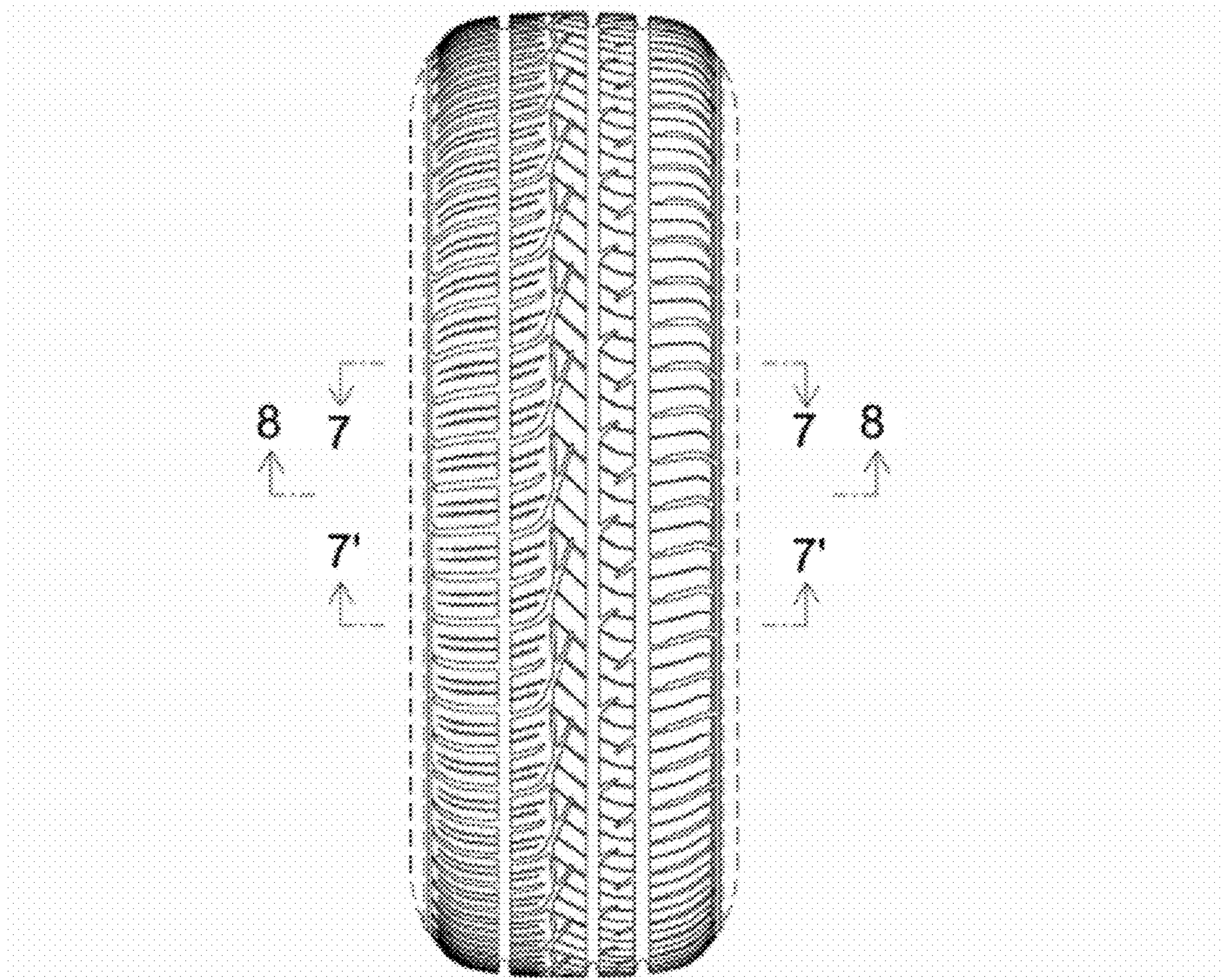


FIG. 1

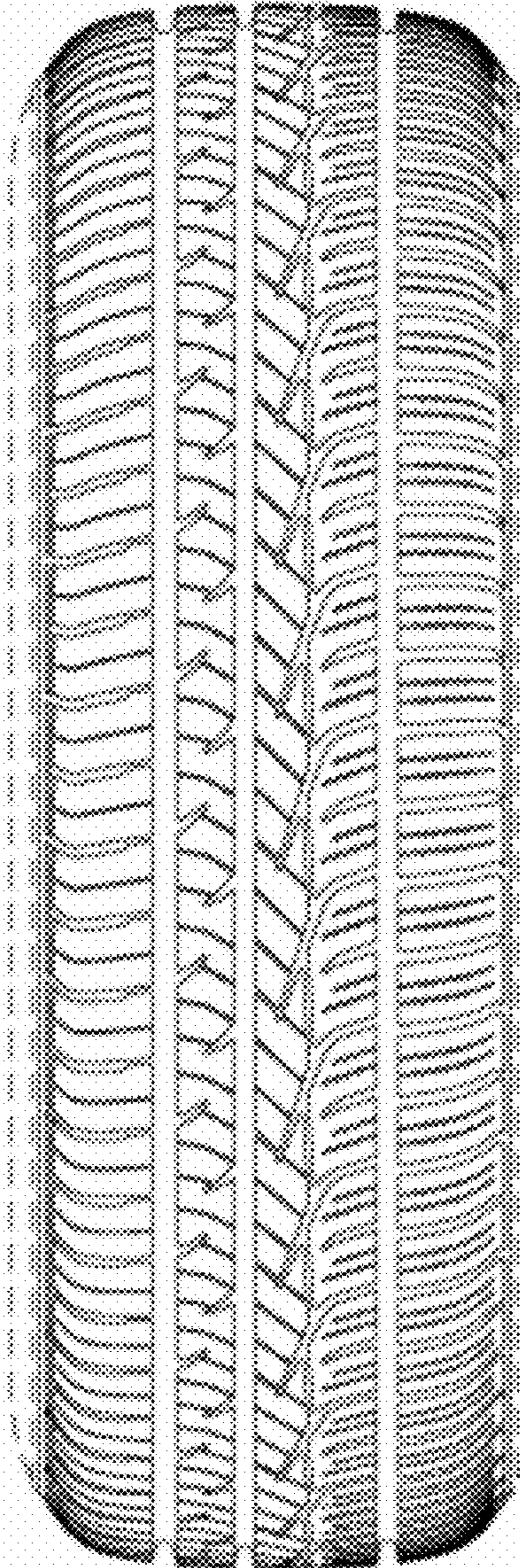


FIG. 2

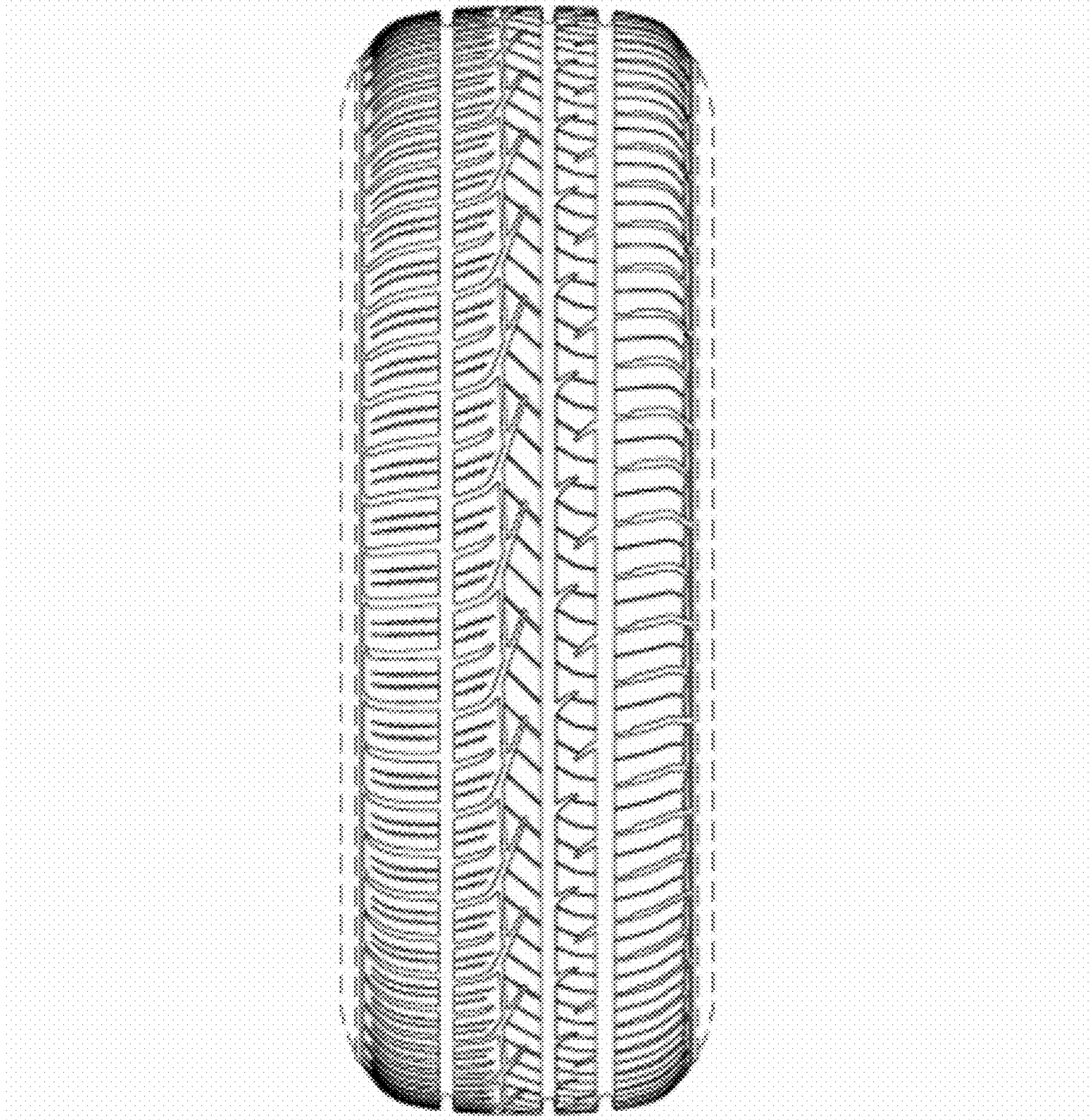


FIG. 3

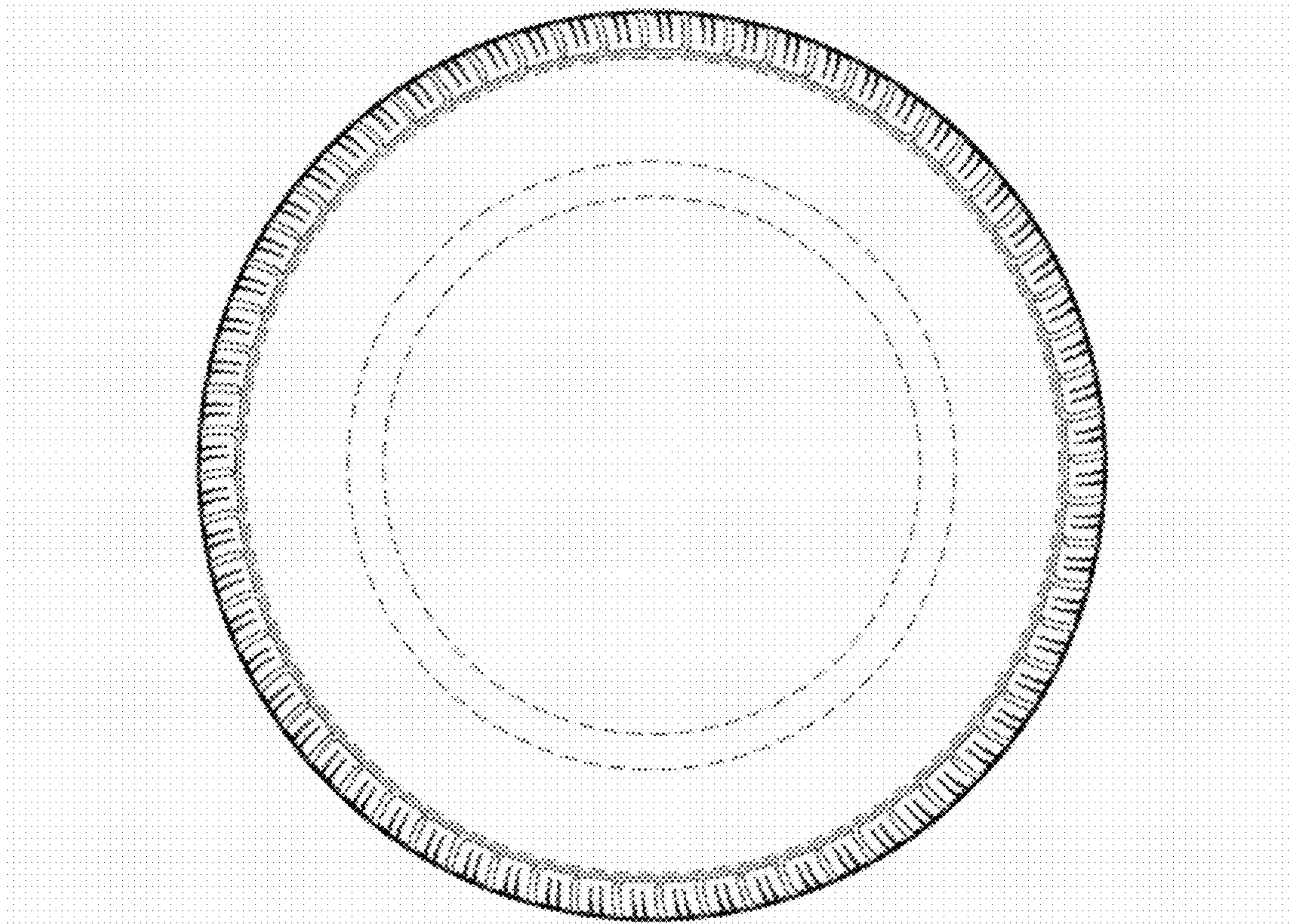


FIG. 4

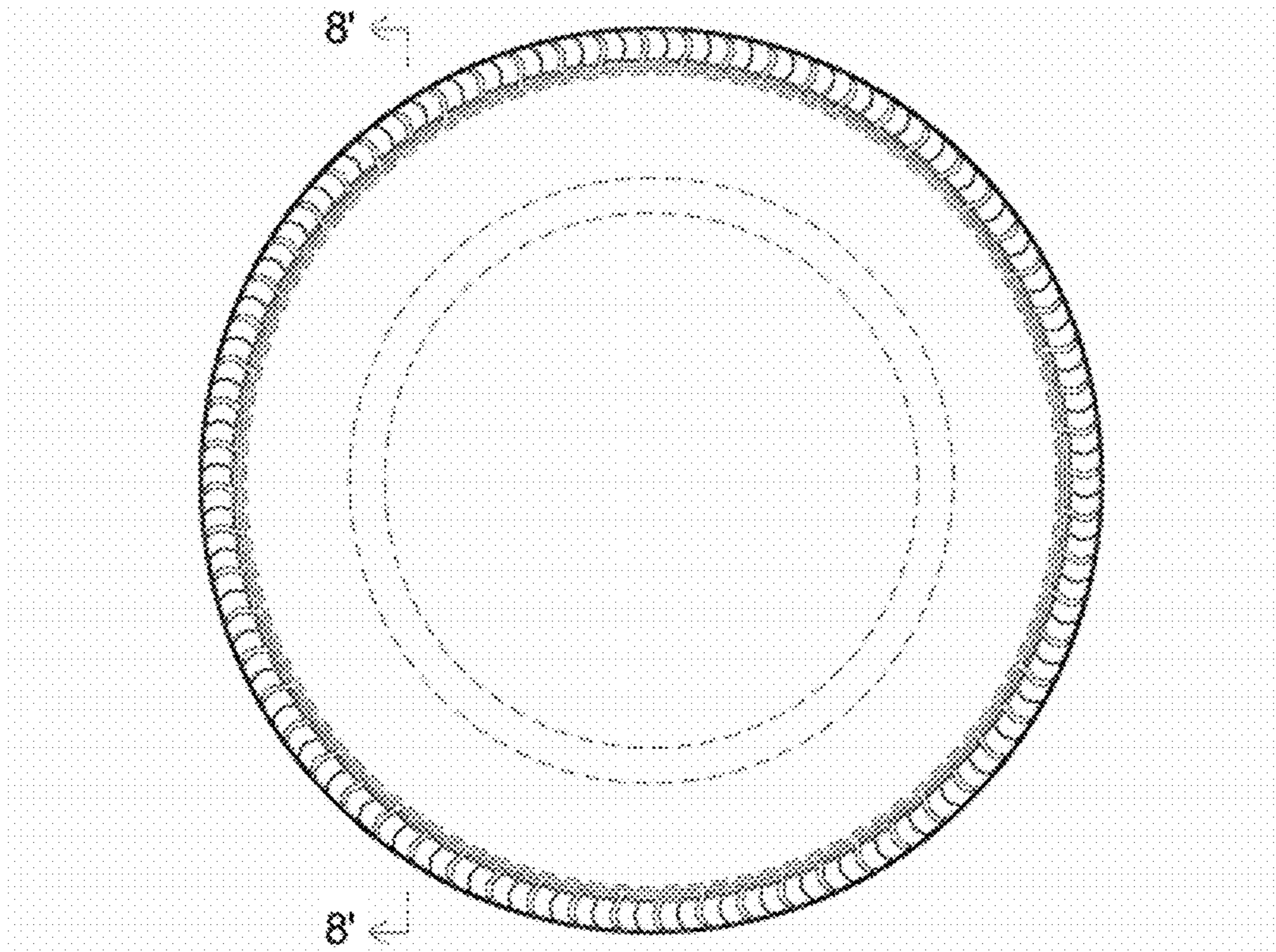


FIG. 5

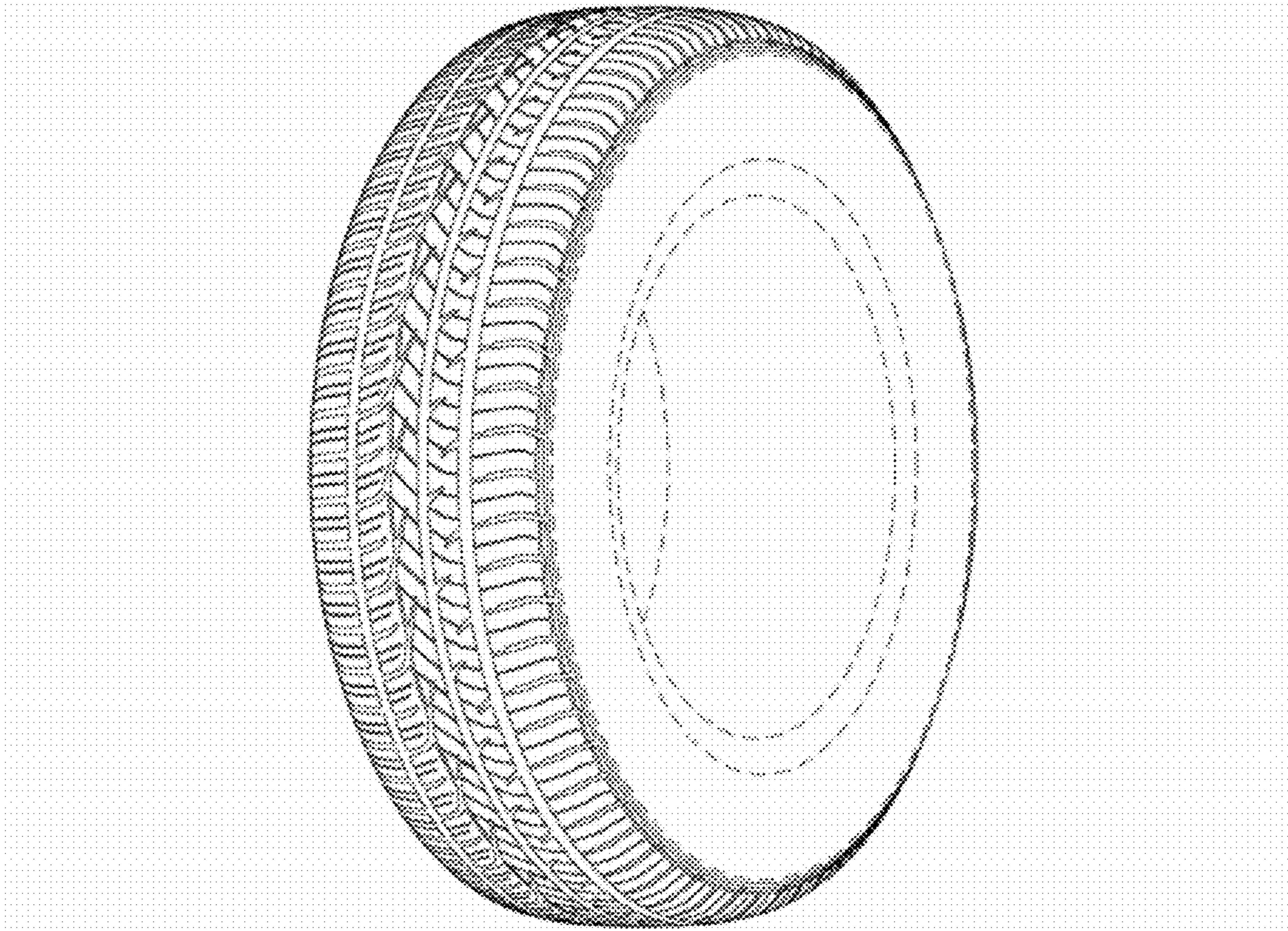


FIG. 6

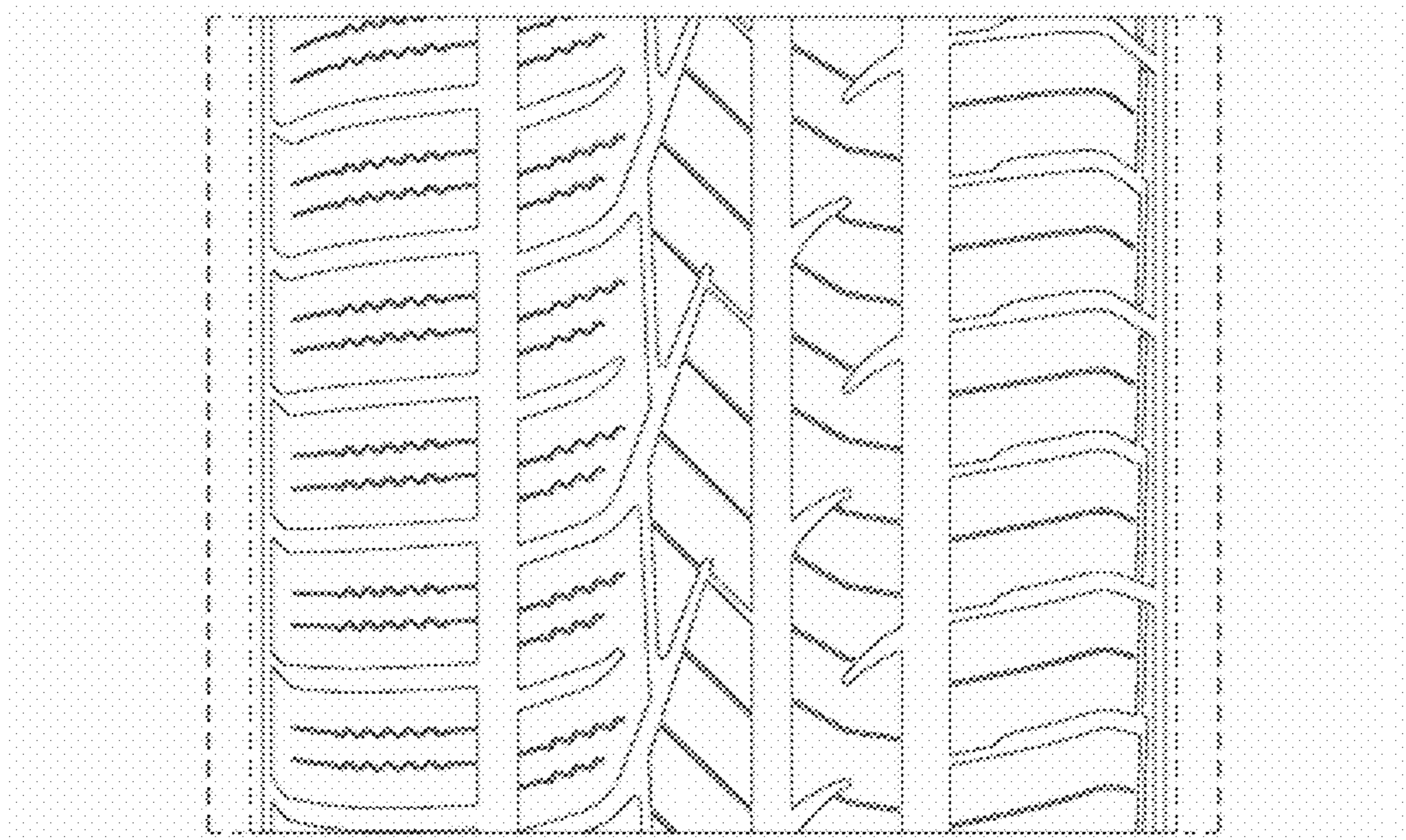


FIG. 7

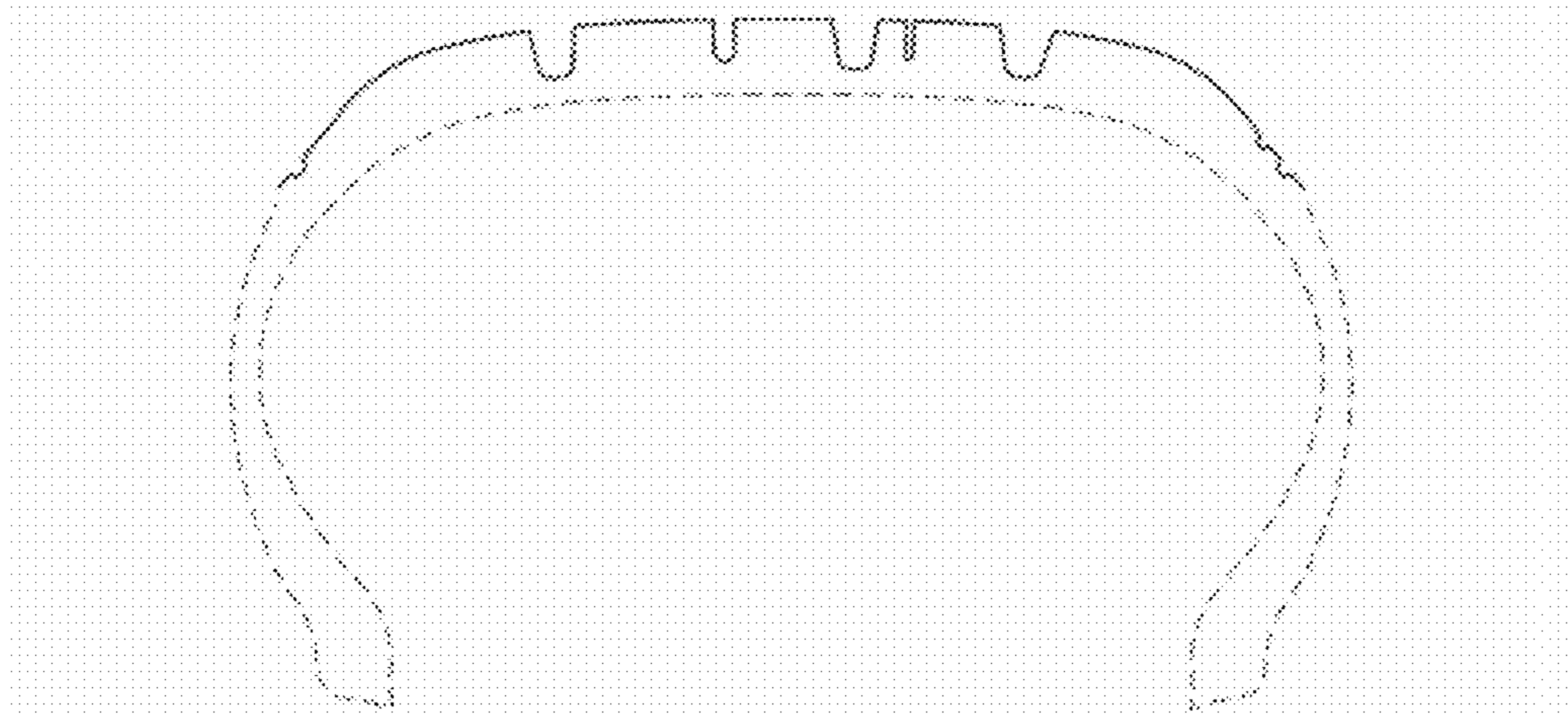


FIG. 8