



US00D666137S

(12) **United States Design Patent**  
**Sieber et al.**

(10) **Patent No.:** **US D666,137 S**

(45) **Date of Patent:** **\*\* Aug. 28, 2012**

(54) **TIRE**

(75) Inventors: **Andreas Sieber**, Merzig (DE);  
**Sebastien Willy Fontaine**, Oberfeulen  
(LU); **Stephane Jose Geelen**, Bastogne  
(BE)

(73) Assignee: **The Goodyear Tire & Rubber  
Company**, Akron, OH (US)

(\*\*) Term: **14 Years**

(21) Appl. No.: **29/384,817**

(22) Filed: **Feb. 4, 2011**

(51) **LOC (9) Cl.** ..... **12-16**

(52) **U.S. Cl.** ..... **D12/517**

(58) **Field of Classification Search** ..... D12/505-532;  
152/209.1, 209.8, 209.9, 209.12, 209.18,  
152/209.25

See application file for complete search history.

(56) **References Cited**

**U.S. PATENT DOCUMENTS**

D533,133 S	12/2006	Heinen et al. ....	D12/590
D559,767 S	1/2008	Graas et al. ....	D12/521
D571,282 S *	6/2008	Murata et al. ....	D12/523
D578,955 S	10/2008	Fontaine et al. ....	D12/524
D586,725 S	2/2009	Fontaine et al. ....	D12/519
D658,115 S *	4/2012	Nomura et al. ....	D12/517

\* cited by examiner

*Primary Examiner* — George D Kirschbaum

(74) *Attorney, Agent, or Firm* — Richard B. O'Planick

(57) **CLAIM**

The ornamental design for a tire, as shown and described.

**DESCRIPTION**

FIG. 1 is a perspective view of a tire showing our new design, it being understood that the pattern repeats uniformly throughout the circumference of the tread;

FIG. 2 is a front elevational view thereof;

FIG. 3 is a right side elevational view thereof;

FIG. 4 is a left side elevational view thereof;

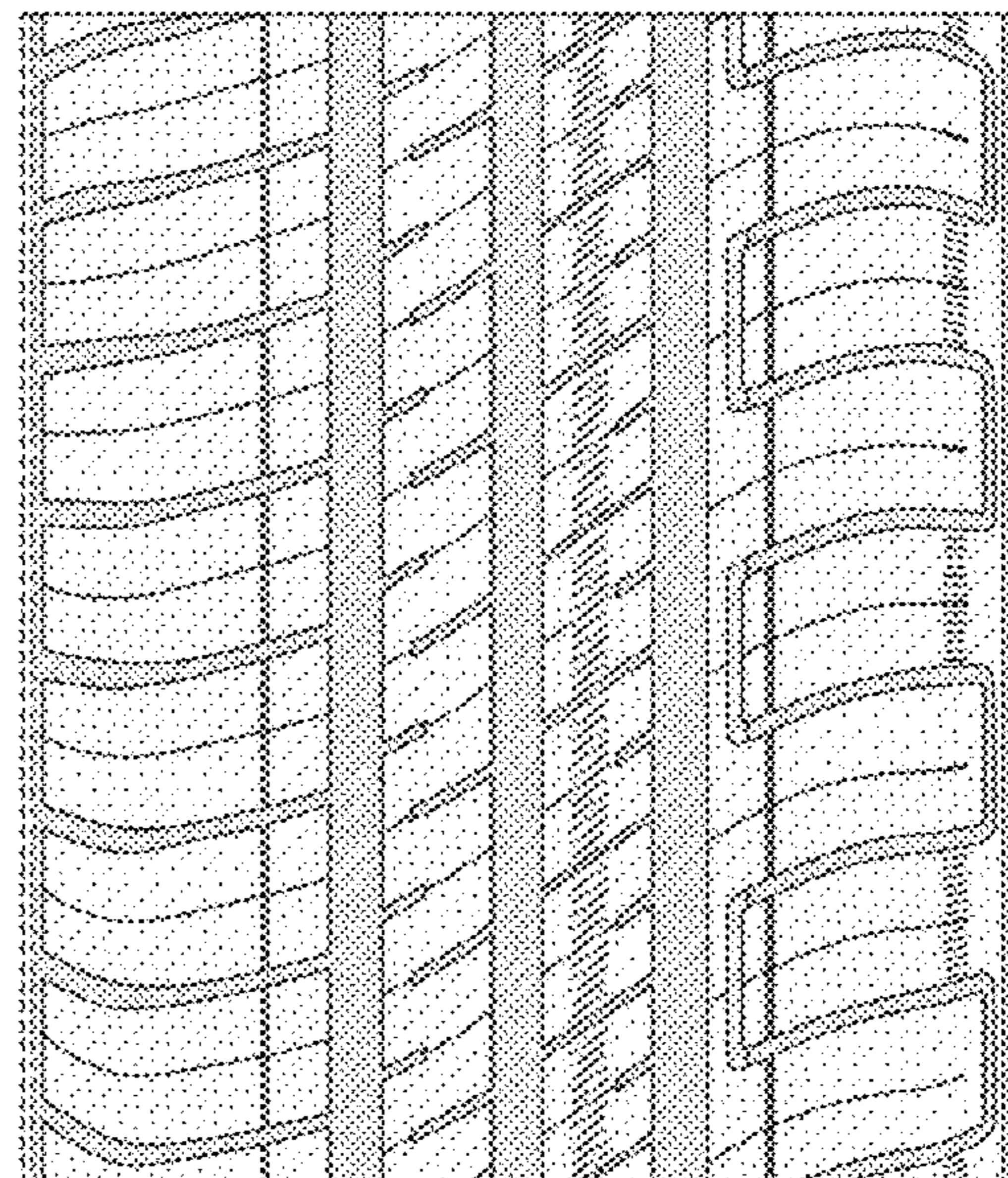
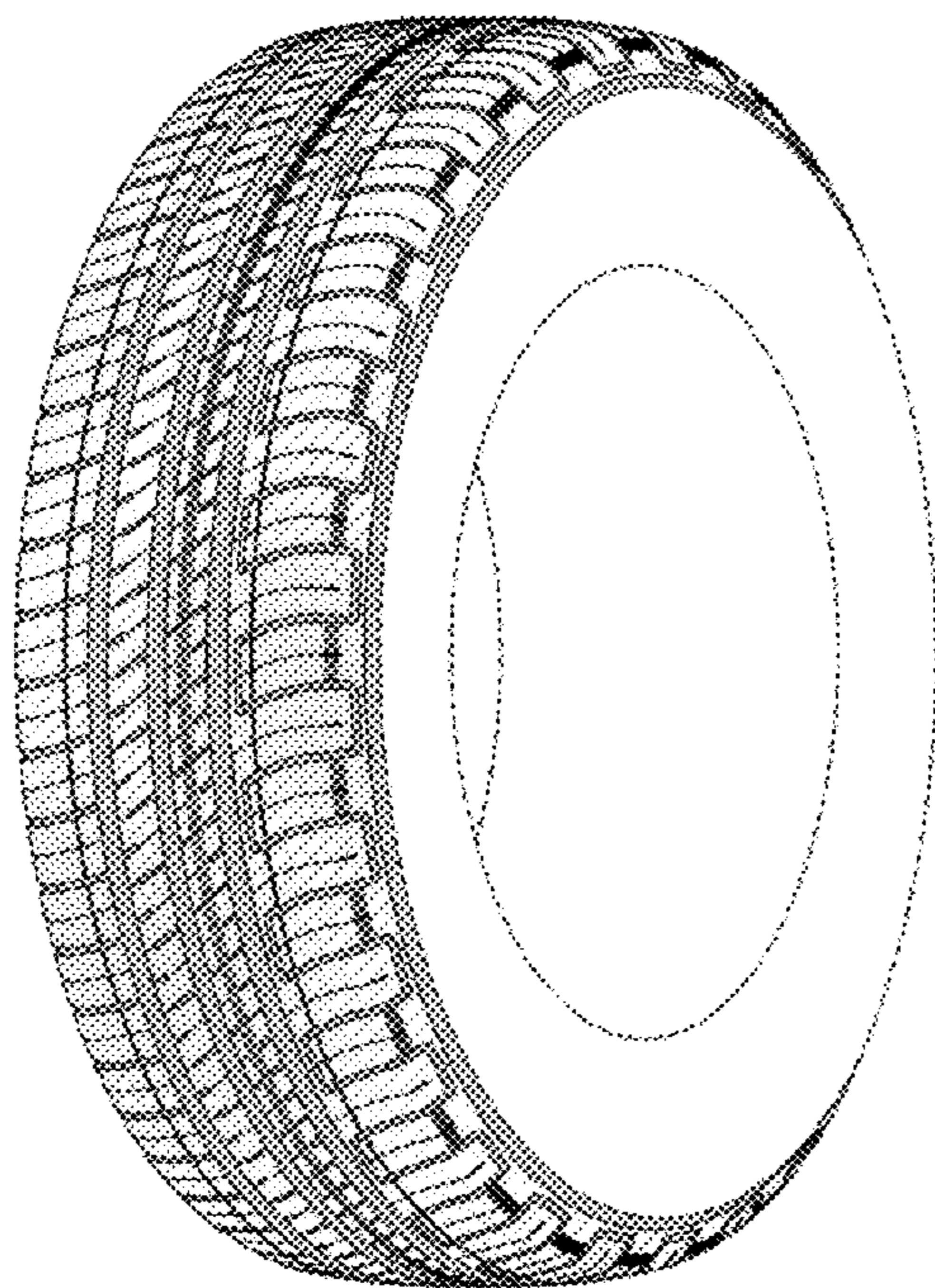
FIG. 5 is an enlarged fragmentary front elevational view thereof;

FIG. 6 is a perspective view of a second embodiment of a tire showing our new design, it being understood that the pattern repeats uniformly throughout the circumference of the tread; and,

FIG. 7 is a front elevational view of a second embodiment, it being understood that an enlarged fragmentary view thereof would be substantially identical to that shown in FIG. 5, with the exception of the inclusion of the sidewall in solid lines.

In the drawings, the broken lines showing of the sidewall, inner bead and the peripheral boundary between the tire tread and the sidewall in FIGS. 1 through 5 depict environmental subject matter and form no part of the claimed design.

**1 Claim, 7 Drawing Sheets**



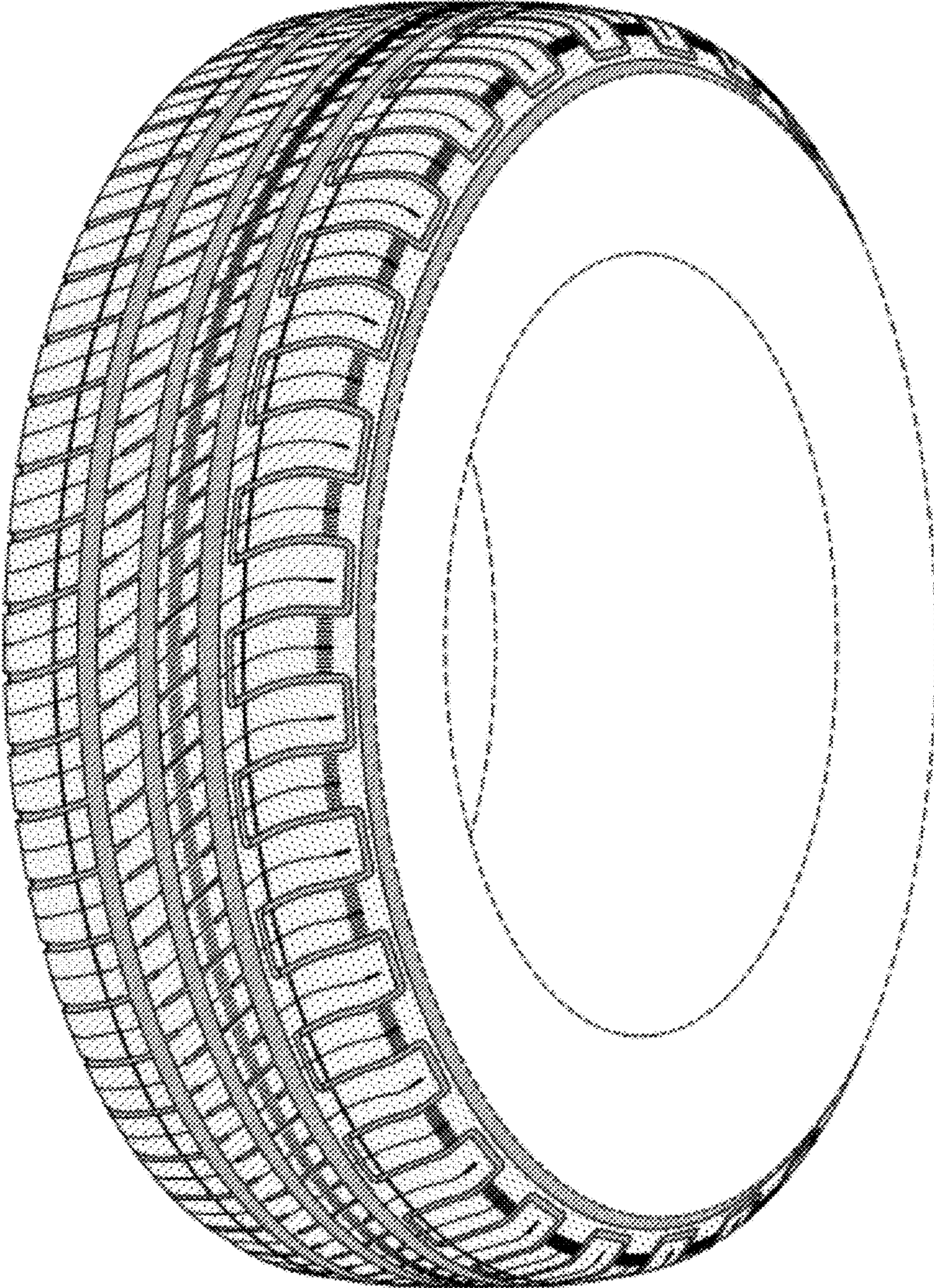


FIG-1

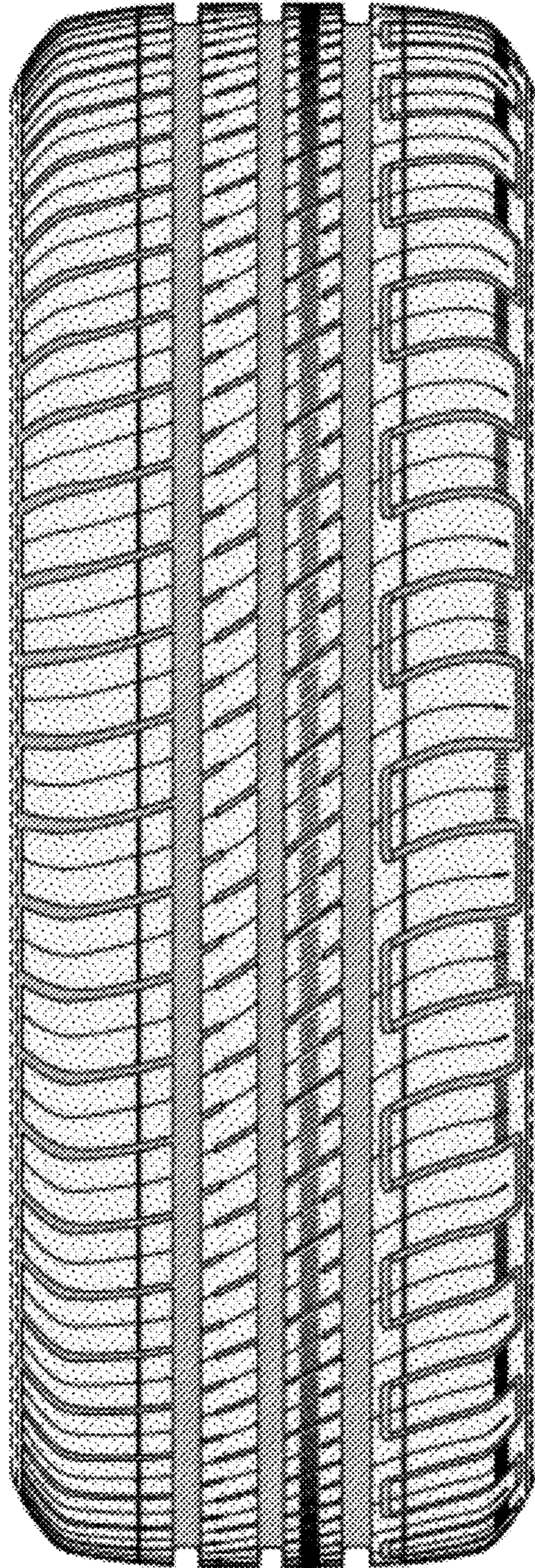


FIG-2

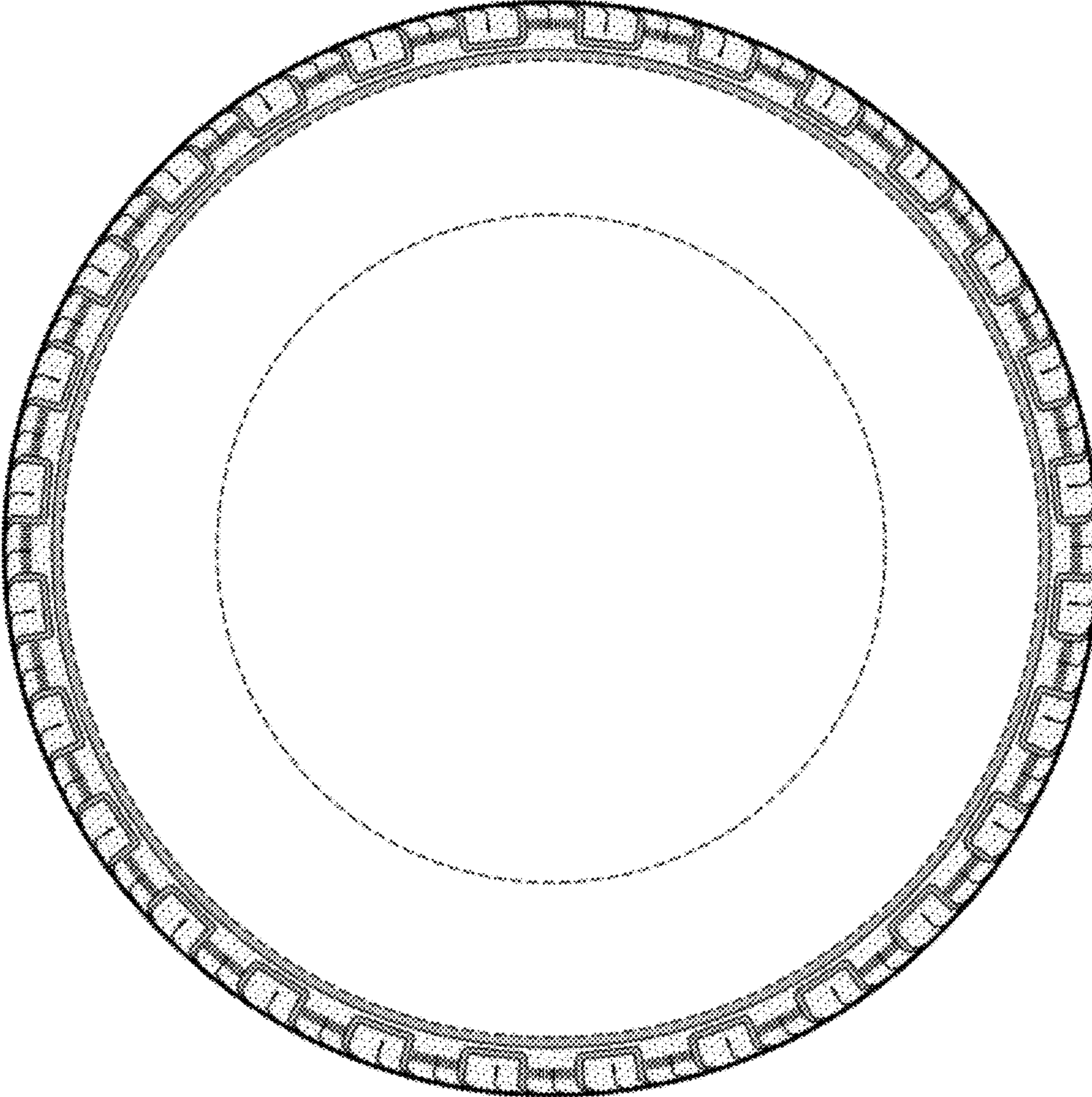


FIG-3

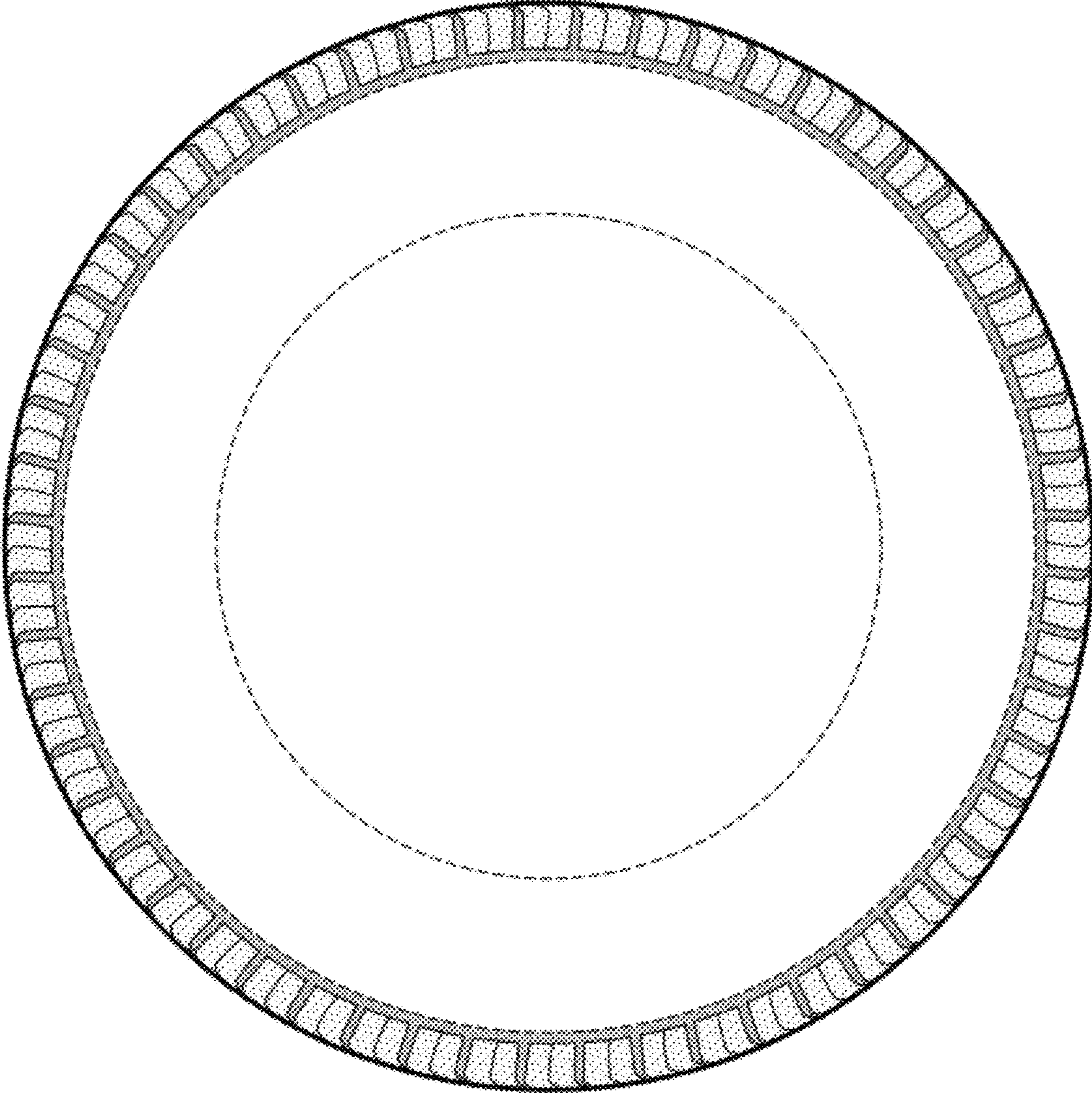


FIG-4

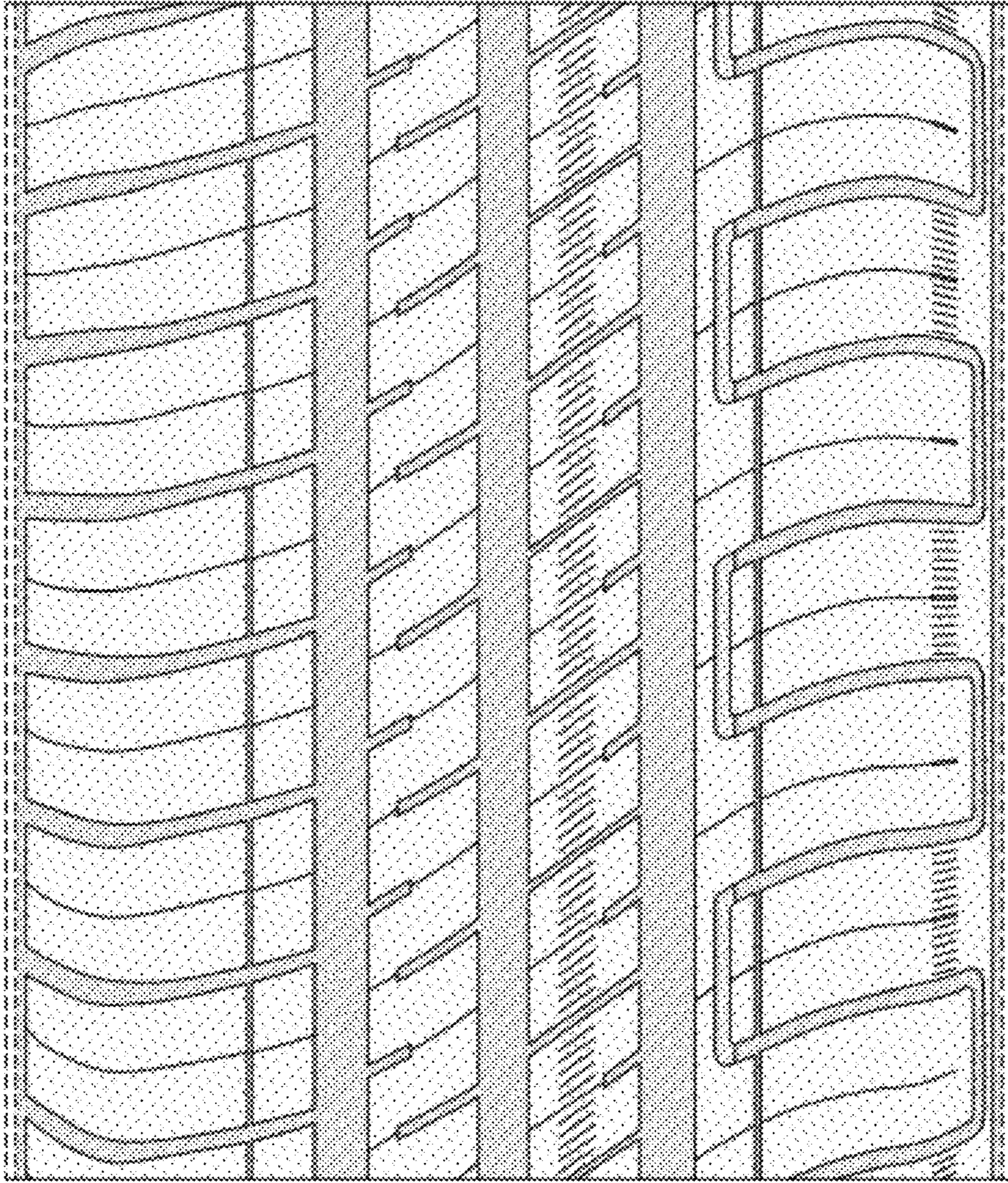


FIG-5

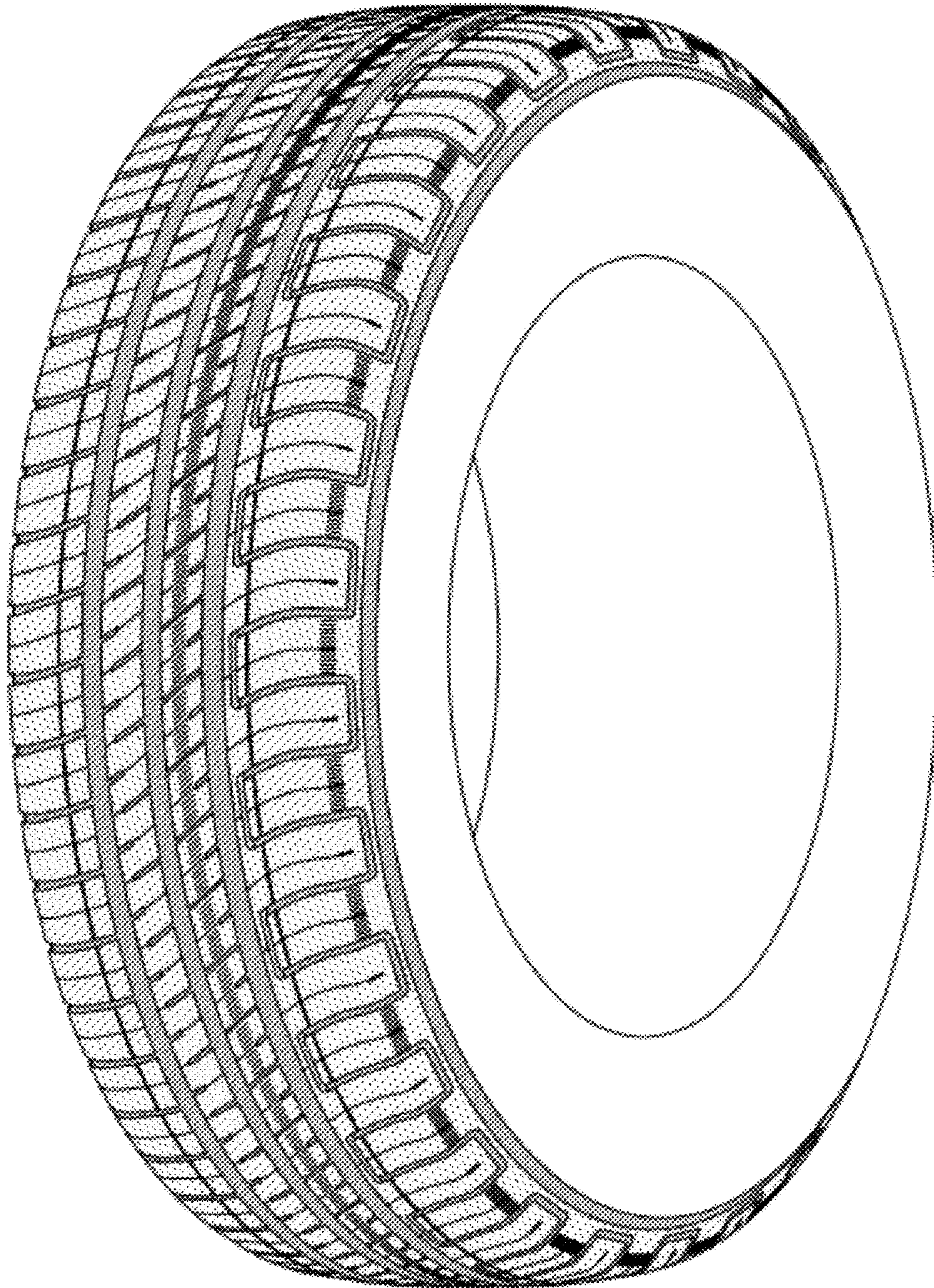


FIG-6

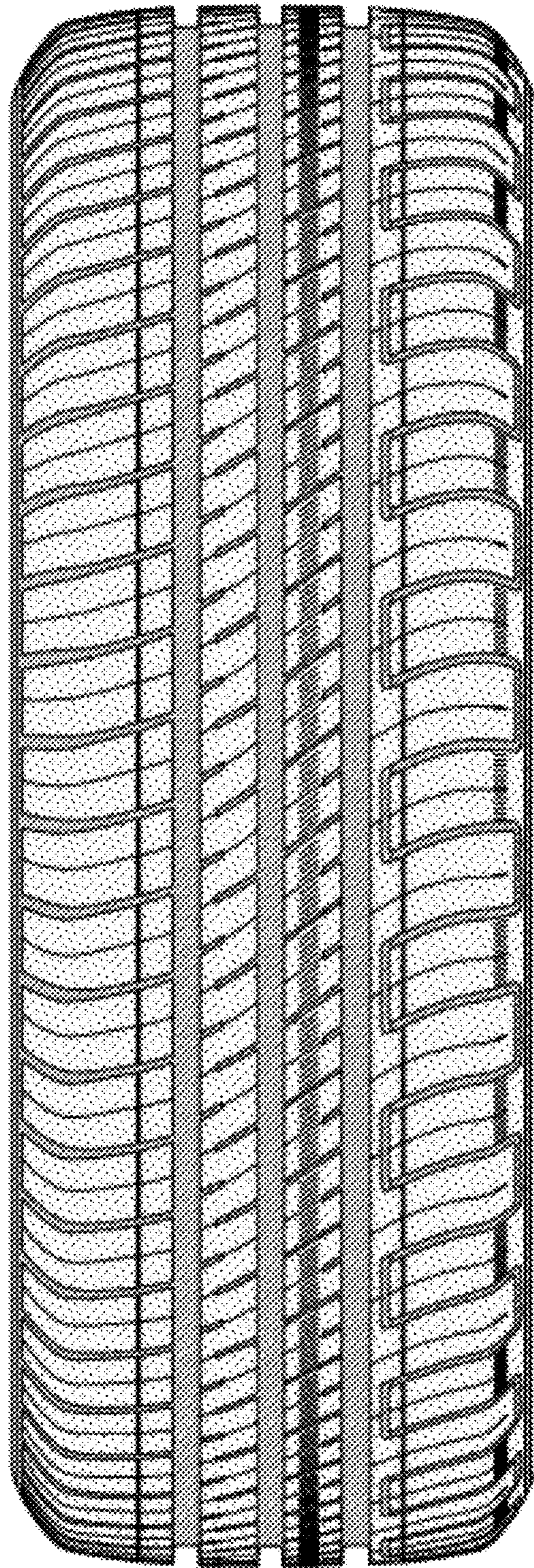


FIG-7