



US00D666135S

(12) **United States Design Patent**
Gasper

(10) **Patent No.:** **US D666,135 S**

(45) **Date of Patent:** **** Aug. 28, 2012**

(54) **WAKE TOWER**

(75) **Inventor:** **Daniel Gasper**, Atwater, CA (US)

(73) **Assignee:** **Malibu Boats LLC**, Merced, CA (US)

(**) **Term:** **14 Years**

(21) **Appl. No.:** **29/356,573**

(22) **Filed:** **Feb. 26, 2010**

(51) **LOC (9) Cl.** **12-06**

(52) **U.S. Cl.** **D12/317**

(58) **Field of Classification Search** D12/300,
D12/301, 310-314, 317, 318, 114; 114/247,
114/249, 250, 253, 254, 343, 361, 364; D8/349,
D8/354, 382

See application file for complete search history.

(56) **References Cited**

U.S. PATENT DOCUMENTS

4,694,773	A	9/1987	Sparkes et al.	
D409,972	S	5/1999	Todd	
5,979,350	A	11/1999	Larson et al.	
6,044,788	A	4/2000	Larson et al.	
6,192,819	B1	2/2001	Larson et al.	
D442,910	S	5/2001	Metcalf	
6,374,762	B1	4/2002	Larson et al.	
RE37,823	E	9/2002	Larson et al.	
D462,932	S	9/2002	Larson	
D480,349	S	10/2003	Carlton	
6,666,159	B2	12/2003	Larson et al.	
D486,441	S *	2/2004	Metcalf	D12/317
D489,314	S *	5/2004	Metcalf	D12/317
6,792,888	B1	9/2004	Metcalf	
6,865,999	B2	3/2005	Bierbower, Jr.	
6,986,321	B2	1/2006	Metcalf	

D534,855	S	1/2007	Metcalf	
7,219,617	B2	5/2007	Metcalf	
D551,154	S *	9/2007	Metcalf	D12/317
7,299,761	B2	11/2007	Larson et al.	
7,302,907	B2	12/2007	Carlton	
7,392,758	B2 *	7/2008	Metcalf	114/361
D605,575	S	12/2009	Oswell et al.	
7,699,016	B2	4/2010	Snook et al.	
2004/0144295	A1	7/2004	Bierbower, Jr.	
2007/0137554	A1 *	6/2007	Metcalf	114/364
2009/0314194	A1	12/2009	Metcalf	
2010/0162937	A1	7/2010	Larson et al.	
2011/0139057	A1	6/2011	Metcalf	

* cited by examiner

Primary Examiner — Cynthia M Chin

(74) *Attorney, Agent, or Firm* — Knobbe, Martens, Olson & Bear, LLP

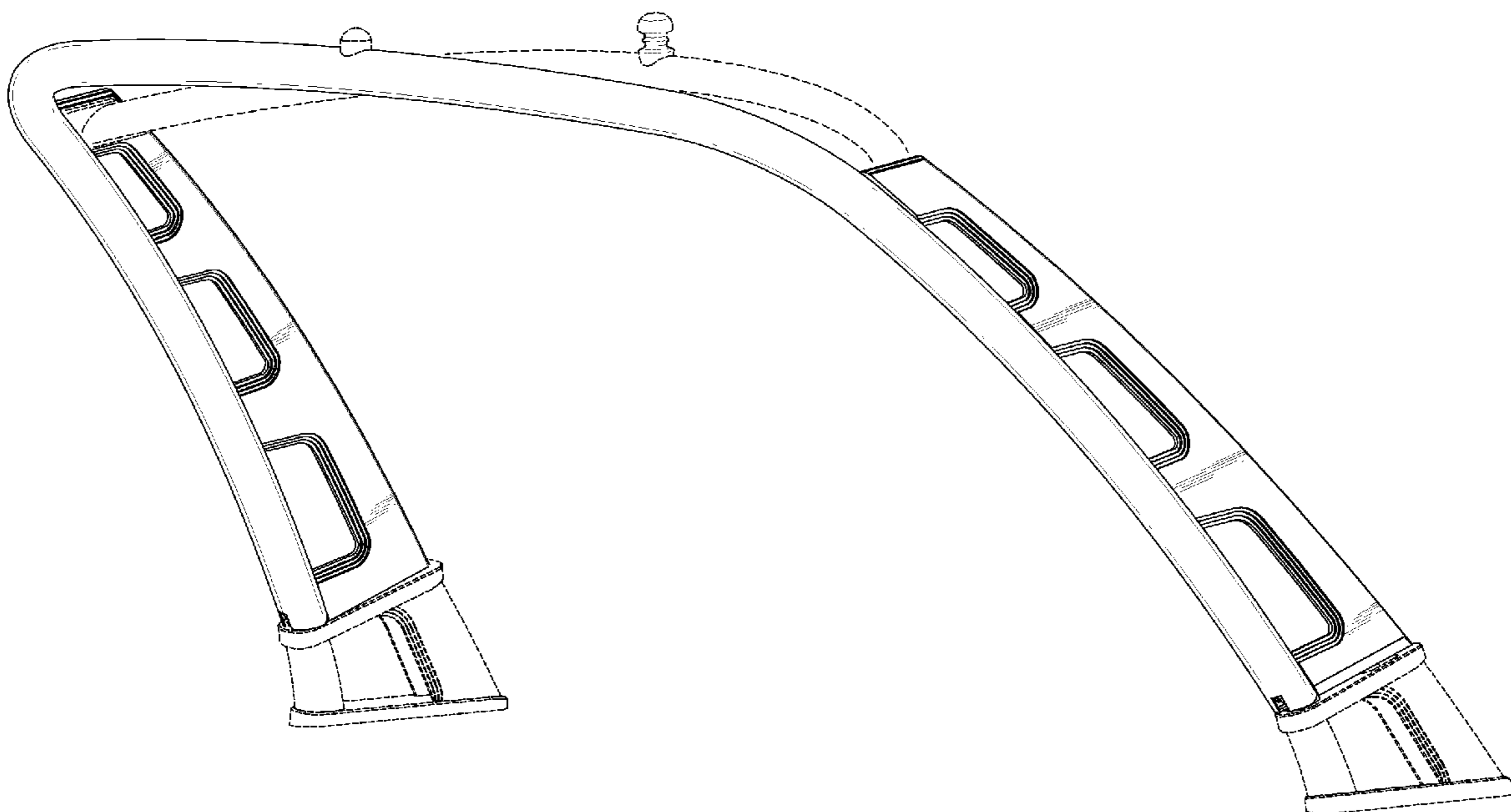
(57) **CLAIM**

The ornamental design for a wake tower, as shown and described.

DESCRIPTION

FIG. 1 is a front perspective view of a wake tower showing the new design;
FIG. 2 is a front view thereof;
FIG. 3 is a bottom view thereof;
FIG. 4 is a left-side view thereof;
FIG. 5 is a right-side view thereof;
FIG. 6 is top view thereof;
FIG. 7 is a rear view thereof; and,
FIG. 8 is a rear perspective view thereof.
The broken lines represent portions of the article that form no part of the claim.

1 Claim, 8 Drawing Sheets



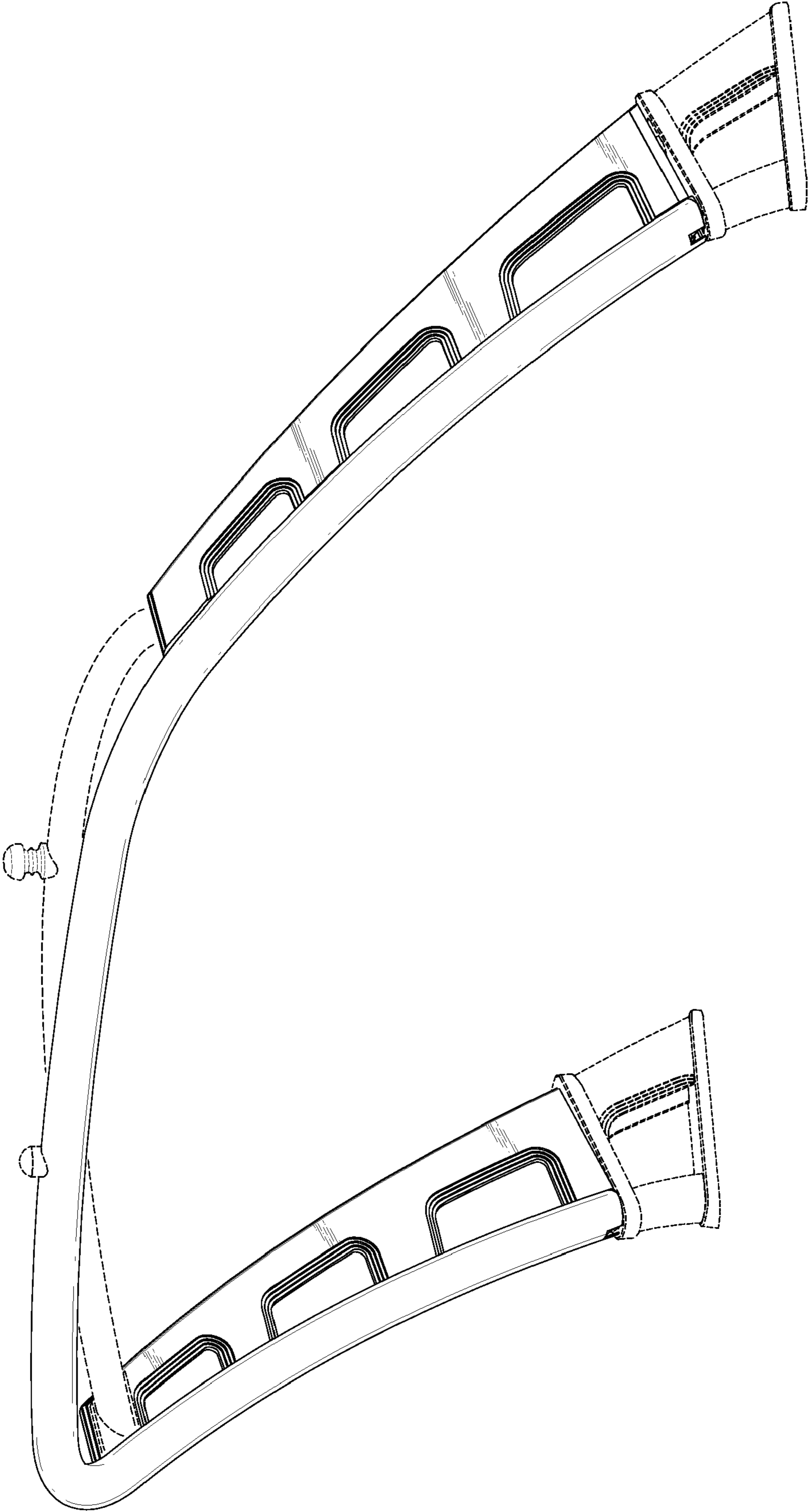


FIG. 1

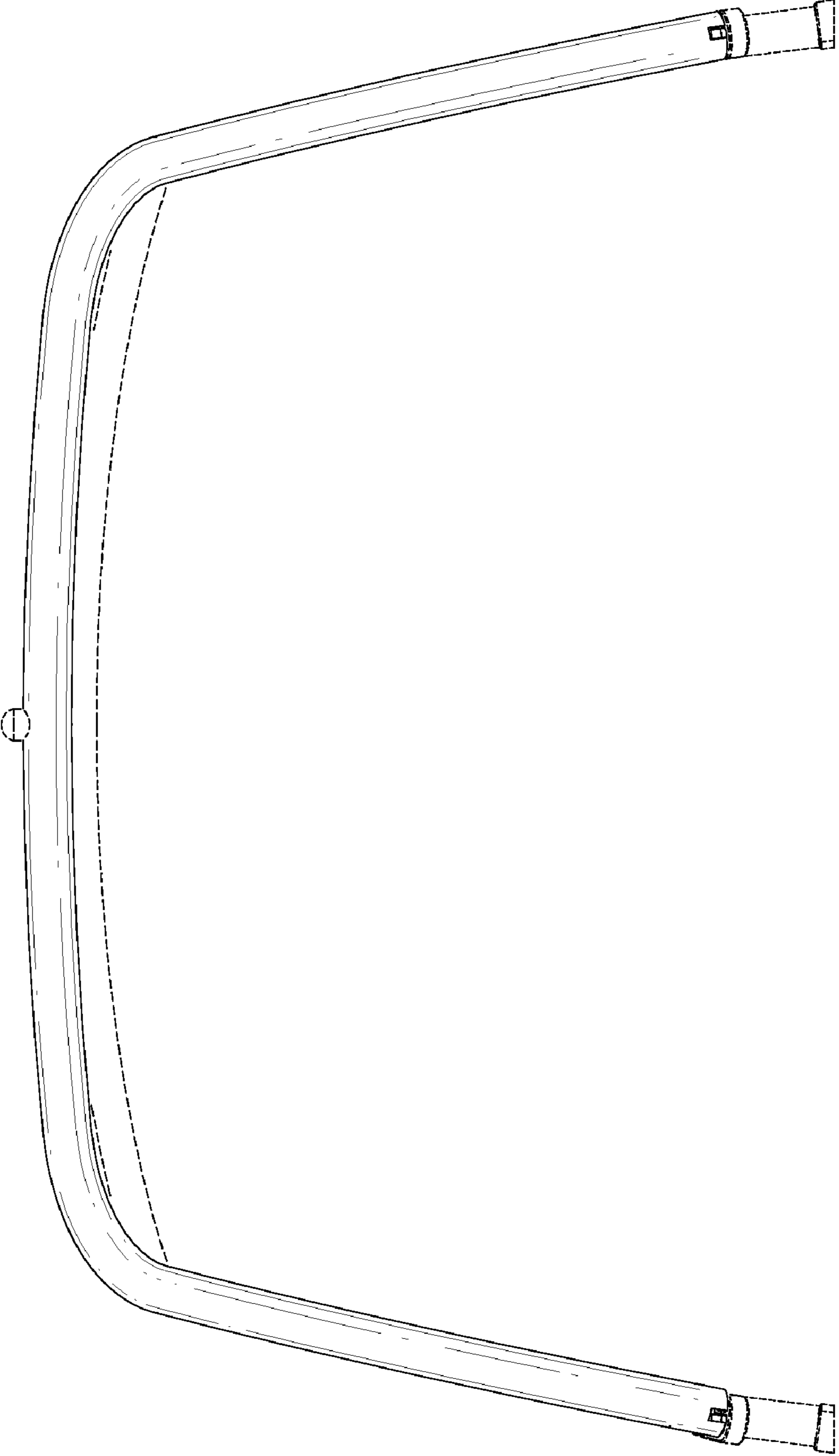


FIG. 2

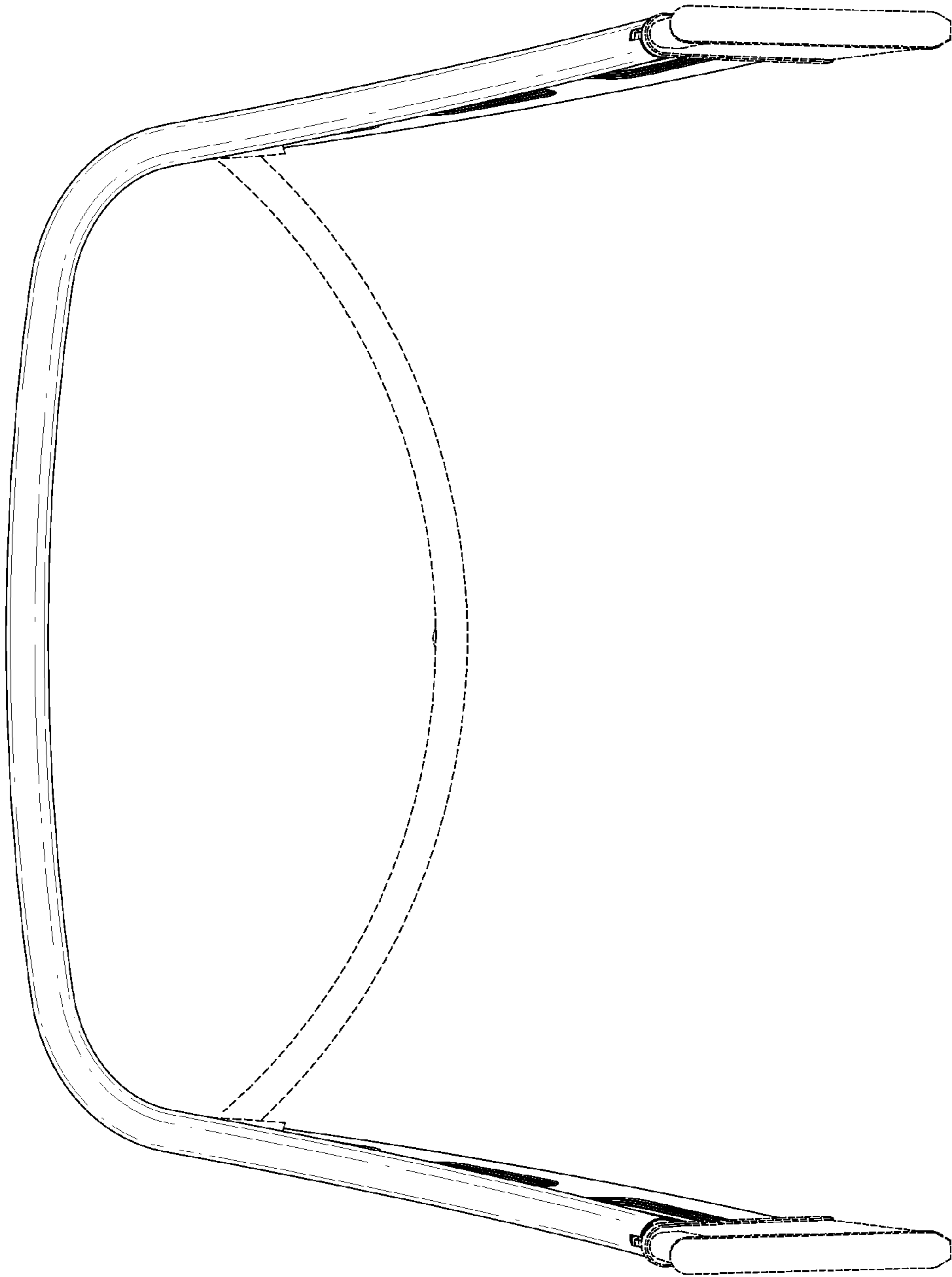


FIG. 3

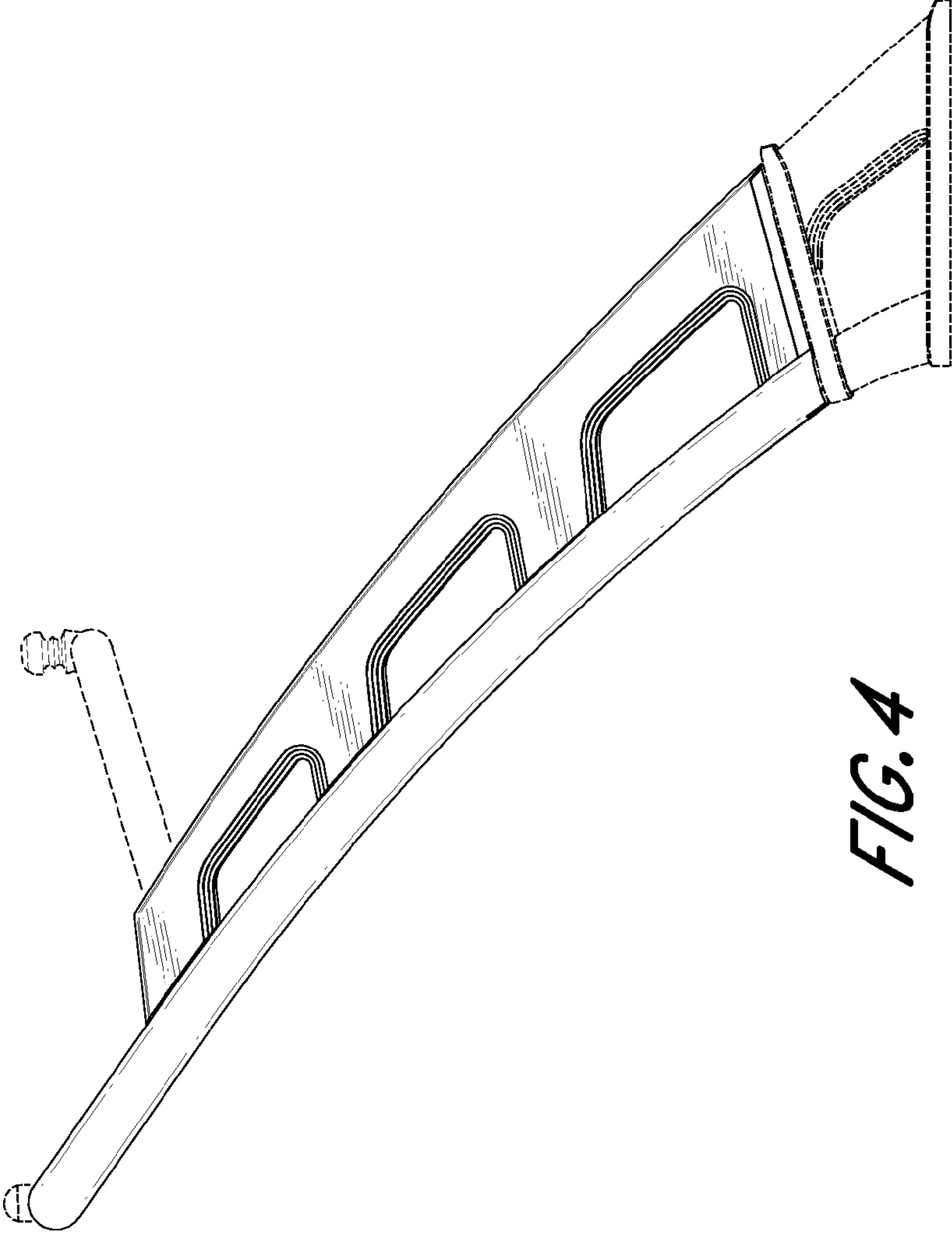
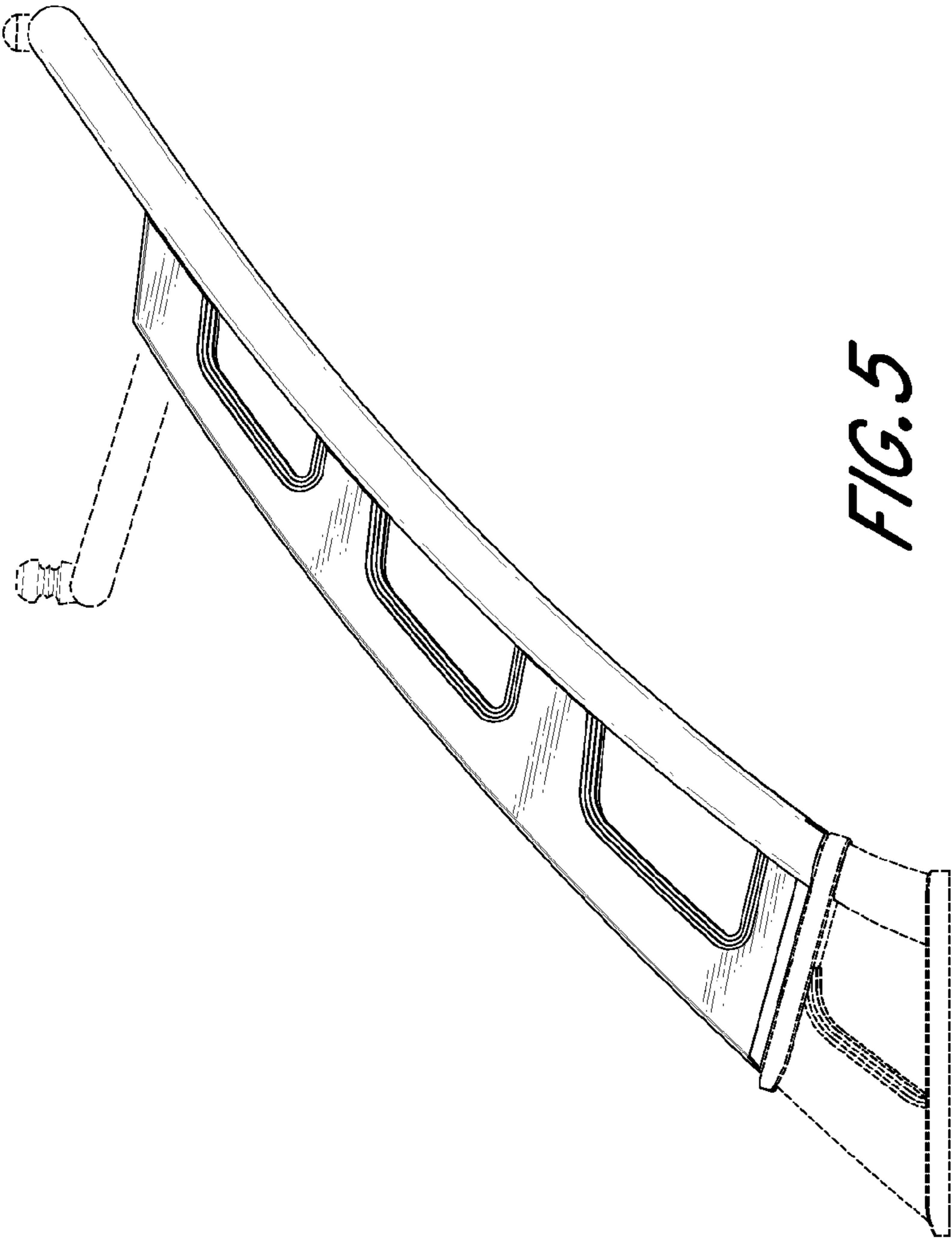


FIG. 4



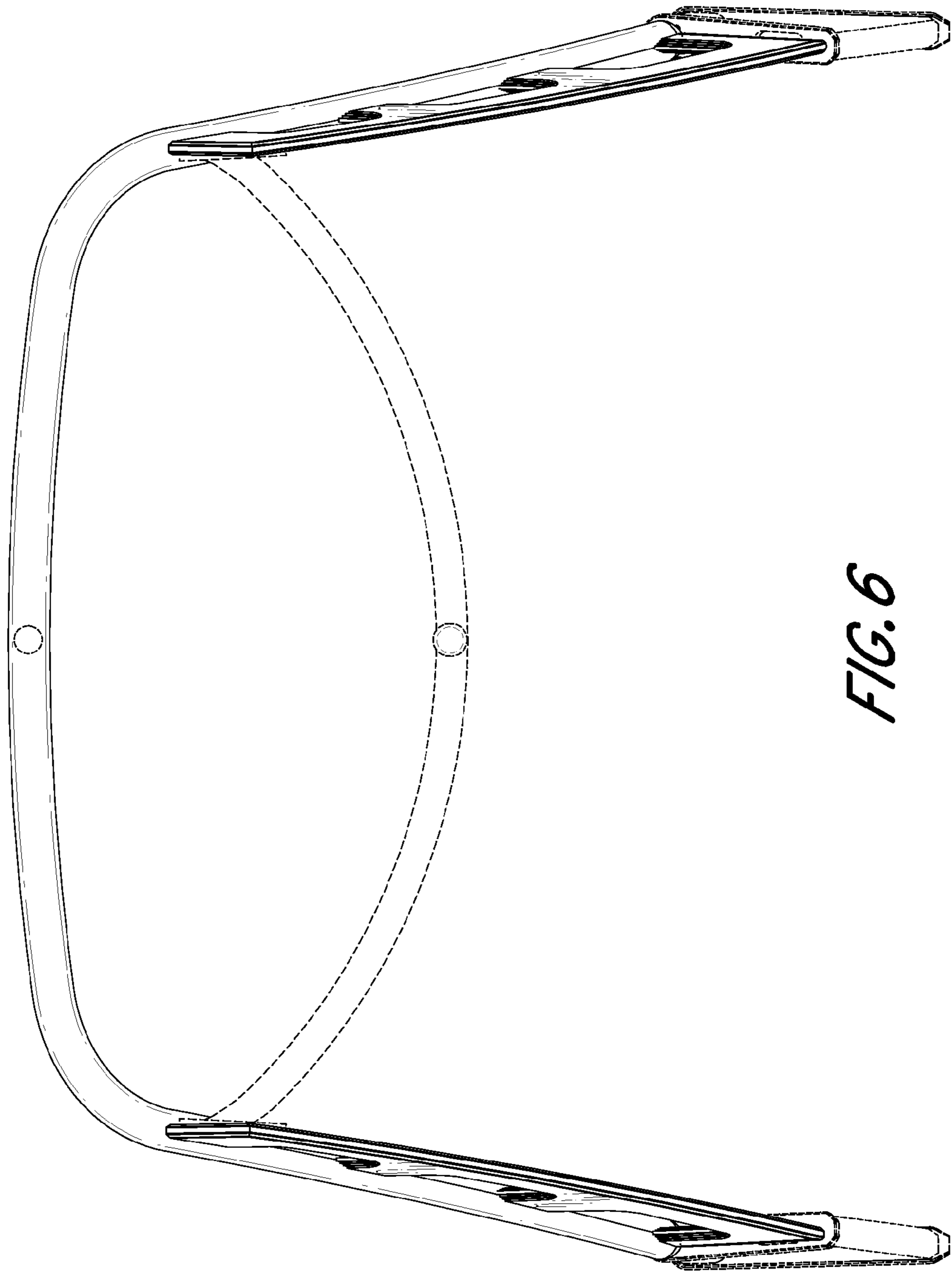


FIG. 6

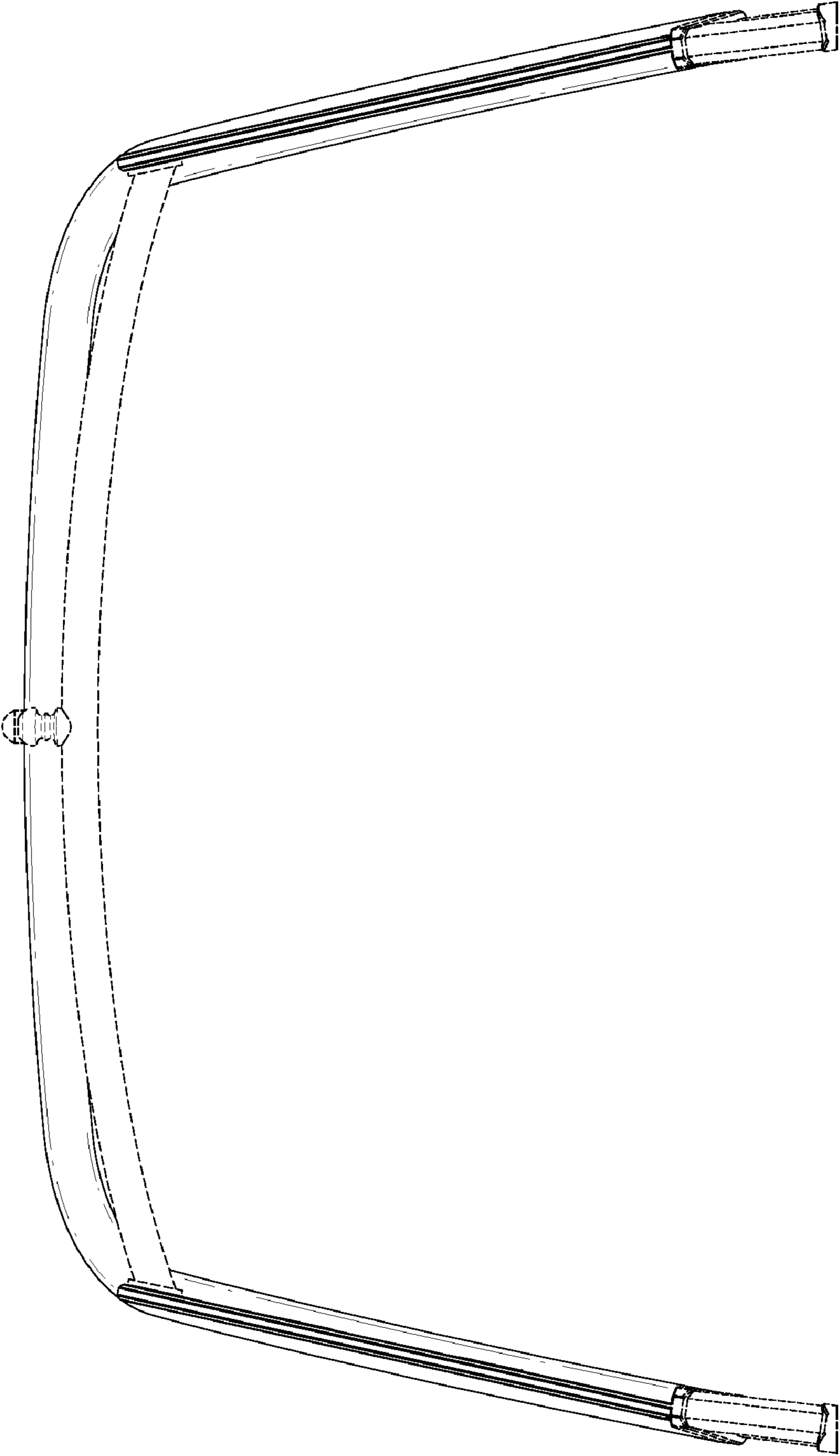


FIG. 7

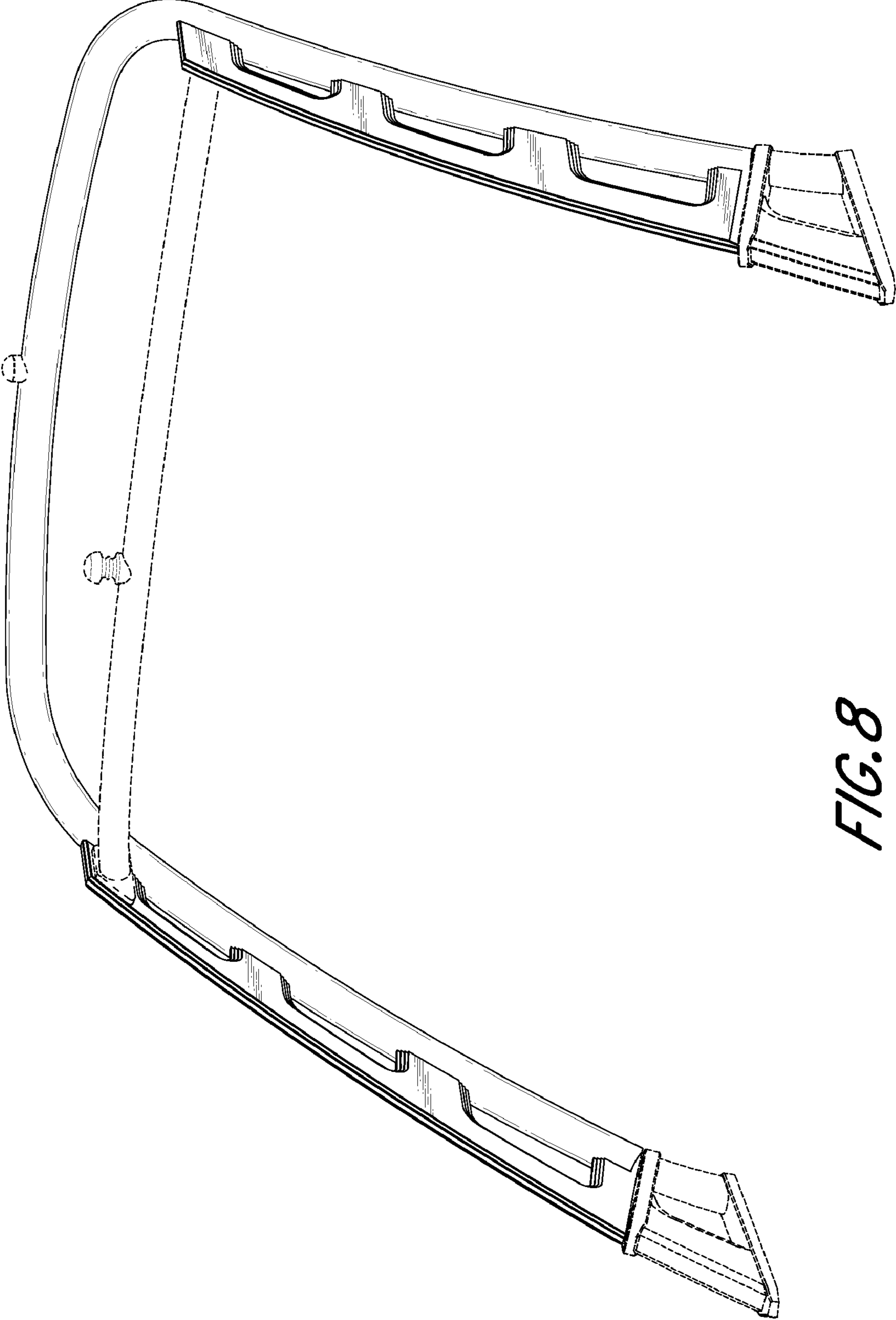


FIG. 8