



US00D666134S

(12) **United States Design Patent**
Patalak et al.

(10) **Patent No.:** **US D666,134 S**

(45) **Date of Patent:** **** Aug. 28, 2012**

(54) **RETAINING SHOE**

(75) Inventors: **John Peter Patalak**, Concord, NC (US);
Donald Eric Krueger, Stoney Point, NC
(US); **Henry Thomas Fowler**, Charlotte,
NC (US)

(73) Assignee: **National Association for Stock Car
Auto Racing, Inc.**, Daytona Beach, FL
(US)

(**) Term: **14 Years**

(21) Appl. No.: **29/413,935**

(22) Filed: **Feb. 22, 2012**

Related U.S. Application Data

(63) Continuation of application No. 29/384,591, filed on
Feb. 1, 2011, now Pat. No. Des. 656,883, which is a
continuation-in-part of application No. 12/819,336,
filed on Jun. 21, 2010.

(51) **LOC (9) Cl.** **12-06**

(52) **U.S. Cl.** **D12/223**

(58) **Field of Classification Search** D12/223;
248/222.13, 200, 300, 177.1, 187.1; D8/349,
D8/354, 382

See application file for complete search history.

(56) **References Cited**

U.S. PATENT DOCUMENTS

5,098,046 A * 3/1992 Webb 248/27.1
D443,499 S * 6/2001 Gretz D8/349

D463,250 S * 9/2002 Valentz D8/349
D471,431 S * 3/2003 Valiulis et al. D8/349
D480,948 S * 10/2003 Patrizzi et al. D8/373
D492,888 S * 7/2004 Wilson D8/349
6,766,992 B1 * 7/2004 Parker 248/300
D524,635 S * 7/2006 Gretz D8/354
D587,640 S * 3/2009 Fraser et al. D12/223
7,902,457 B2 * 3/2011 Johnson 174/61
D654,350 S * 2/2012 Preda D8/354
D656,883 S * 4/2012 Patalak et al. D12/223

* cited by examiner

Primary Examiner — Sheryl Lane

(74) *Attorney, Agent, or Firm* — Alston & Bird LLP

(57) **CLAIM**

The ornamental design for a retaining shoe, as shown and
described.

DESCRIPTION

FIG. 1 is a perspective view a retaining shoe according to our
new design;

FIG. 2 is a top plan view thereof;

FIG. 3 is a bottom plan view thereto;

FIG. 4 is a front elevation view thereof;

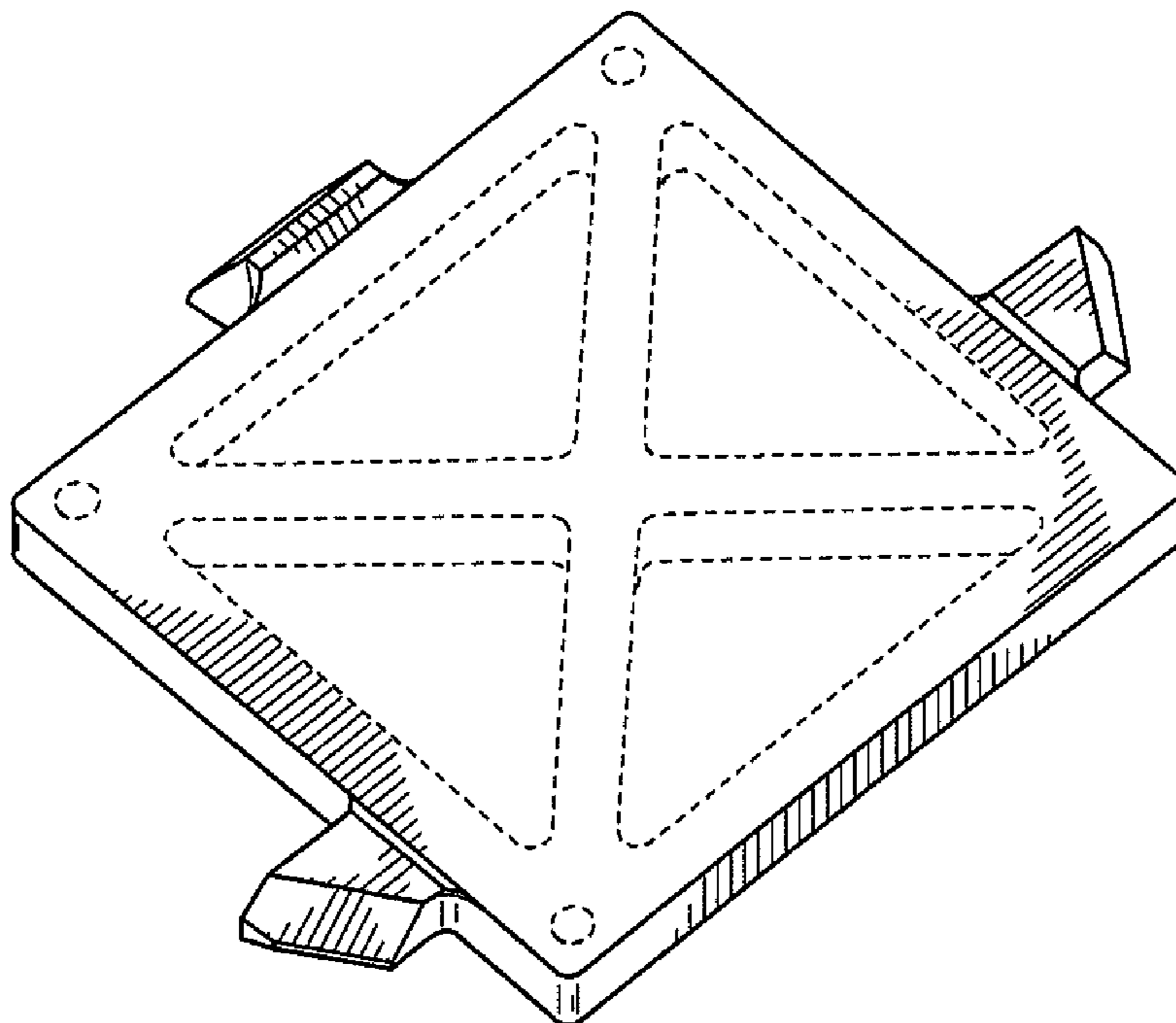
FIG. 5 is a rear elevation view thereof;

FIG. 6 is a right side elevation view thereof; and,

FIG. 7 is a left side elevation view thereof.

The broken lines immediately adjacent shaded areas are
included for the purpose of representing boundaries and envi-
ronment. All other broken lines are included for the purpose
of illustrating environment and form no part of the claimed
design.

1 Claim, 3 Drawing Sheets



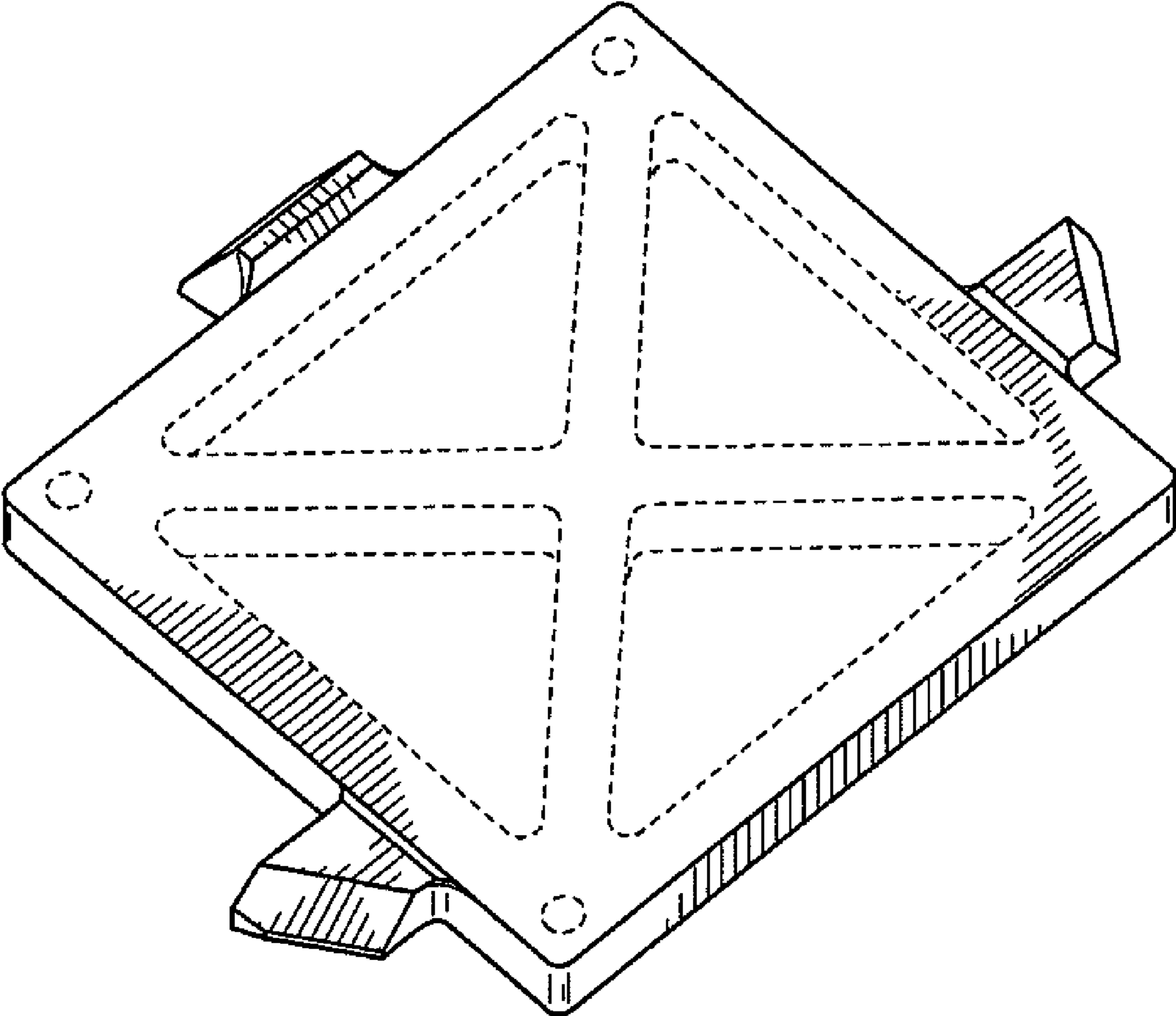


FIG. 1

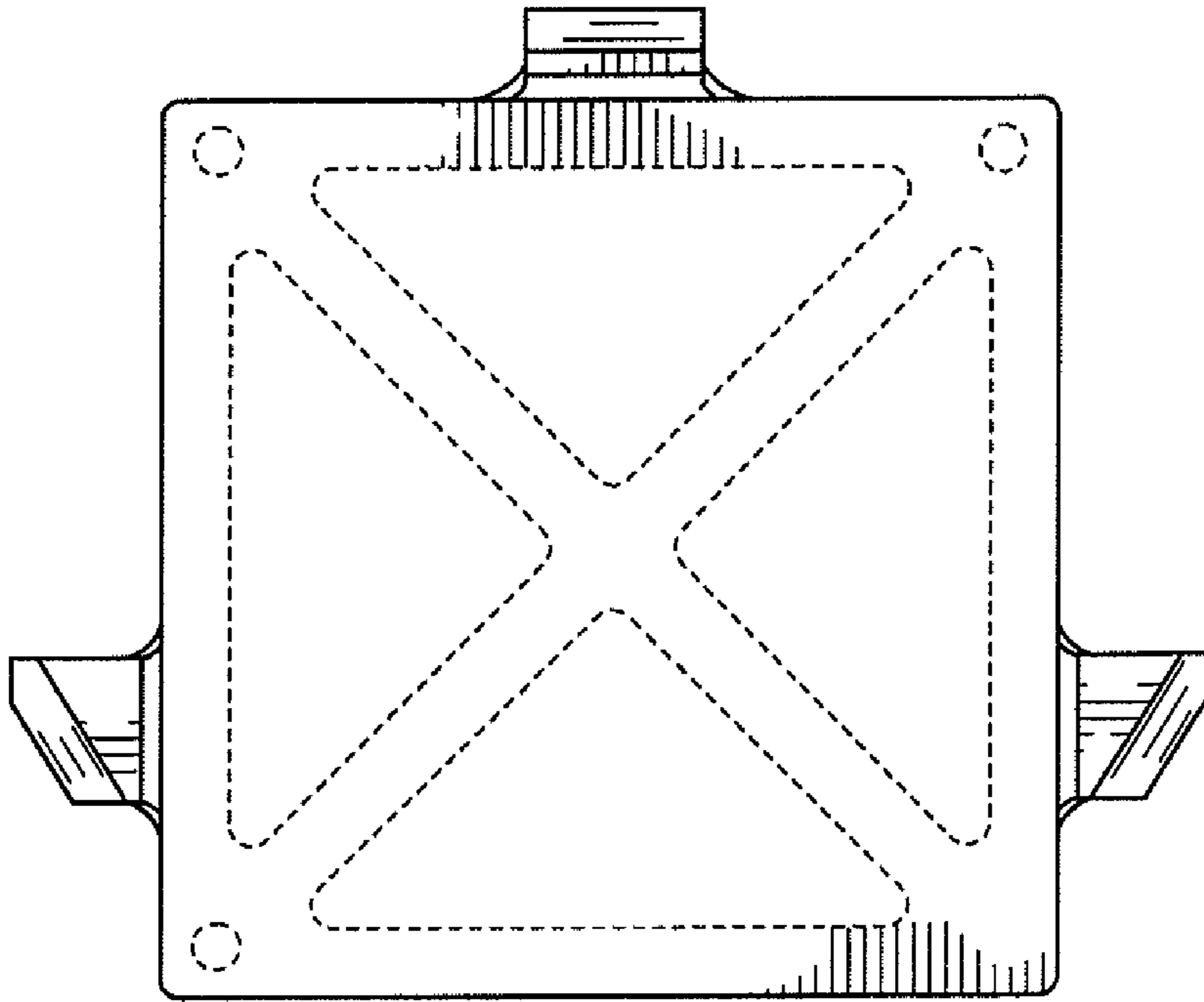


FIG. 2

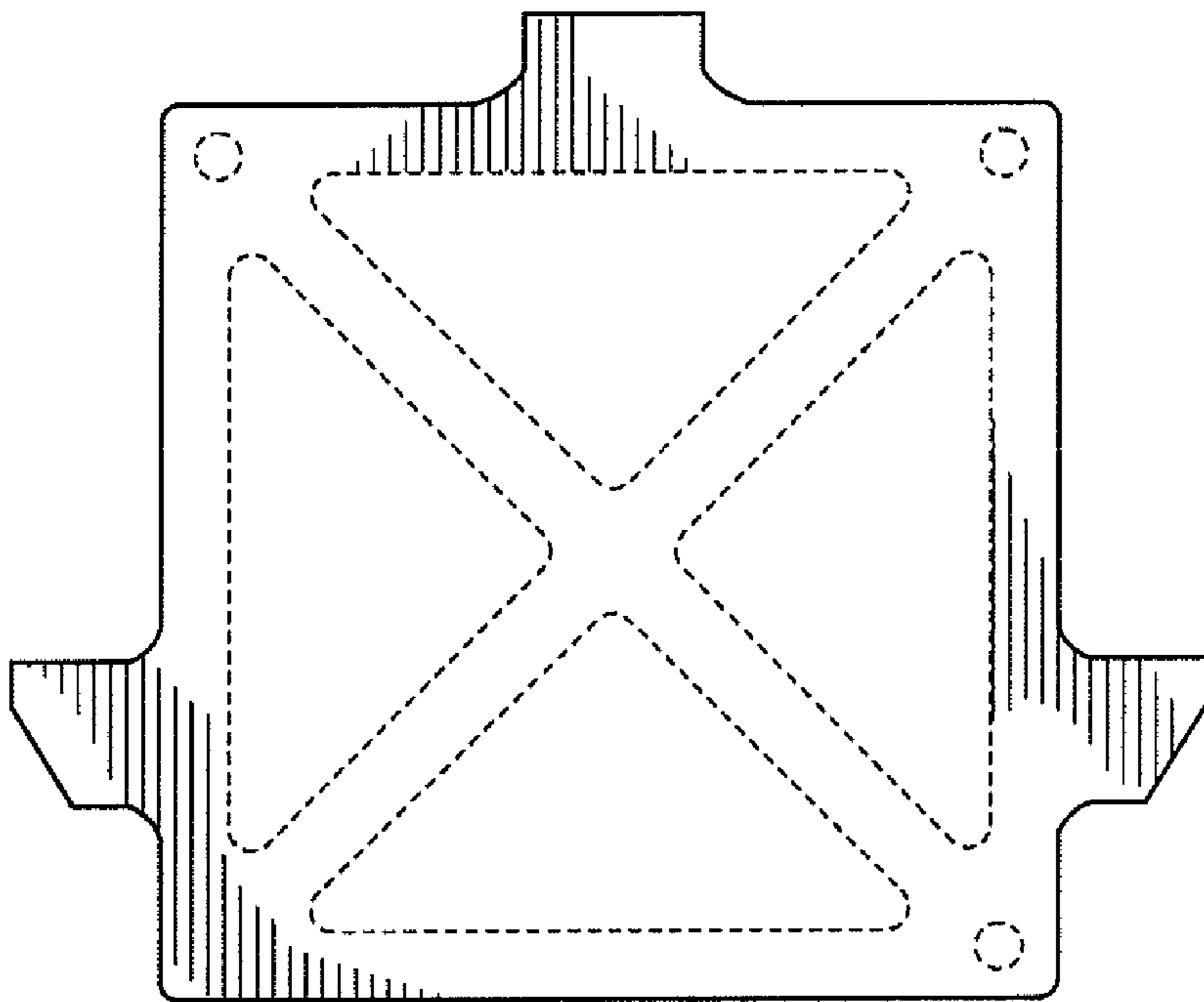


FIG. 3

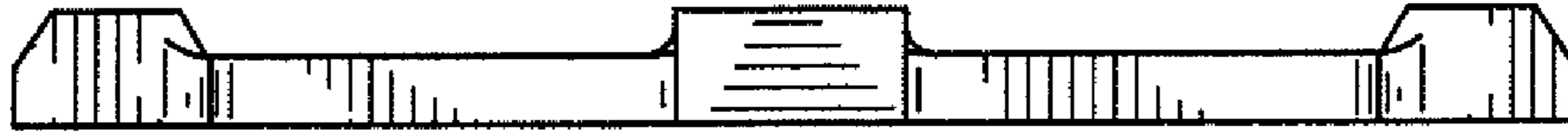


FIG. 4

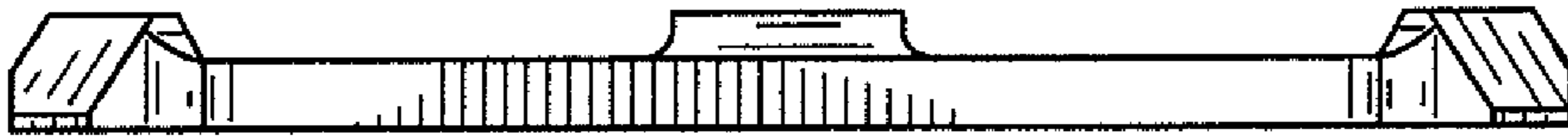


FIG. 5



FIG. 6

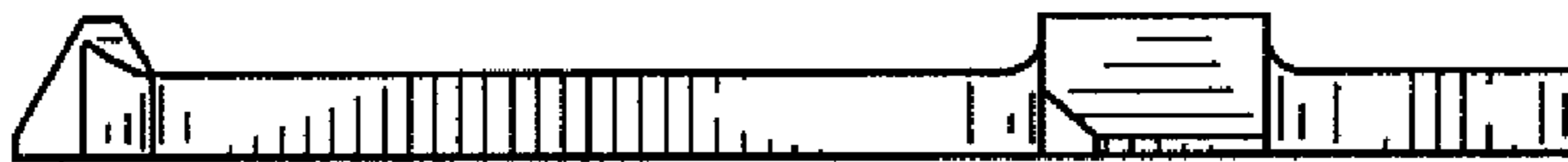


FIG. 7

UNITED STATES PATENT AND TRADEMARK OFFICE
CERTIFICATE OF CORRECTION

PATENT NO. : D666,134 S
APPLICATION NO. : 29/413935
DATED : August 28, 2012
INVENTOR(S) : Patalak et al.

Page 1 of 1

It is certified that error appears in the above-identified patent and that said Letters Patent is hereby corrected as shown below:

Title page.

In the DESCRIPTION, "FIG. 1 is a perspective view a retaining shoe according to our new design;"
should read --FIG. 1 is a perspective view of a retaining shoe according to our new design;--.

Signed and Sealed this
Second Day of April, 2013



Teresa Stanek Rea
Acting Director of the United States Patent and Trademark Office