



US00D666133S

(12) **United States Design Patent**  
**In**

(10) **Patent No.:** **US D666,133 S**

(45) **Date of Patent:** **\*\* Aug. 28, 2012**

(54) **SET OF TOWING BRACKETS**

(76) Inventor: **Thayvann In**, Littlerock, CA (US)

(\*\*) Term: **14 Years**

(21) Appl. No.: **29/390,361**

(22) Filed: **Apr. 23, 2011**

(51) **LOC (9) Cl.** ..... **12-06**

(52) **U.S. Cl.** ..... **D12/223**

(58) **Field of Classification Search** ..... D12/223,  
D12/114, 162; D8/349, 382, 354; 248/200,  
248/300, 65, 201, 214; D14/230–238, 299;  
D6/495; D21/694, 385; D11/43; D1/126;  
D19/40

See application file for complete search history.

(56) **References Cited**

**U.S. PATENT DOCUMENTS**

2,124,142	A *	7/1938	Krumm	.....	229/108
D243,714	S *	3/1977	Younger	.....	D15/5
D280,666	S *	9/1985	Haynes	.....	D26/125
D296,886	S	7/1988	Young, Jr.		
D331,899	S	12/1992	Brisson		
D338,614	S *	8/1993	Pierce	.....	D8/382
D339,090	S	9/1993	Gardenhour, Jr. et al.		
D368,246	S	3/1996	Hinnant et al.		
D388,384	S	12/1997	Williams		
D432,978	S	10/2000	Peterson		
D442,539	S *	5/2001	Nickel	.....	D12/223
D443,566	S	6/2001	Peterson		
D458,576	S	6/2002	McCoy et al.		
D472,189	S	3/2003	McCoy et al.		
D472,190	S	3/2003	McCoy et al.		
D498,715	S	11/2004	Smith et al.		
D528,951	S *	9/2006	Oben	.....	D12/180
D530,187	S *	10/2006	Esbaugh	.....	D8/354
D533,547	S *	12/2006	Sergi	.....	D14/238
D534,064	S *	12/2006	Gimpel et al.	.....	D8/382

D534,905	S	1/2007	Sergi		
D535,985	S	1/2007	Sergi		
D553,271	S *	10/2007	Huang	.....	D26/30
D556,842	S *	12/2007	Webber	.....	D21/694
D571,192	S *	6/2008	Stomp et al.	.....	D8/356
D597,086	S	7/2009	Sergi et al.		
D605,496	S *	12/2009	Scheuermann et al.	.....	D8/349
D646,553	S *	10/2011	Peng et al.	.....	D8/349
2004/0090041	A1	5/2004	Lenzen, Jr. et al.		

\* cited by examiner

*Primary Examiner* — Sheryl Lane

(74) *Attorney, Agent, or Firm* — QuickPatents, Inc.; Kevin Prince

(57) **CLAIM**

I claim the ornamental design for a set of towing brackets, as shown and described.

**DESCRIPTION**

FIG. 1 is a perspective view of a first bracket of a set of towing brackets, showing my new design, a second bracket of the set omitted for clarity

FIG. 2 is a front elevational view of FIG. 1;

FIG. 3 is a rear elevational view of FIG. 1;

FIG. 4 is a left-side elevational view of FIG. 1, the right-side elevational view being a mirror image thereof;

FIG. 5 is a top plan view thereof, the bottom plan view being a mirror image thereof;

FIG. 6 is a perspective view of a second bracket thereof, the first bracket being omitted for clarity of illustration;

FIG. 7 is a front elevational view of FIG. 6;

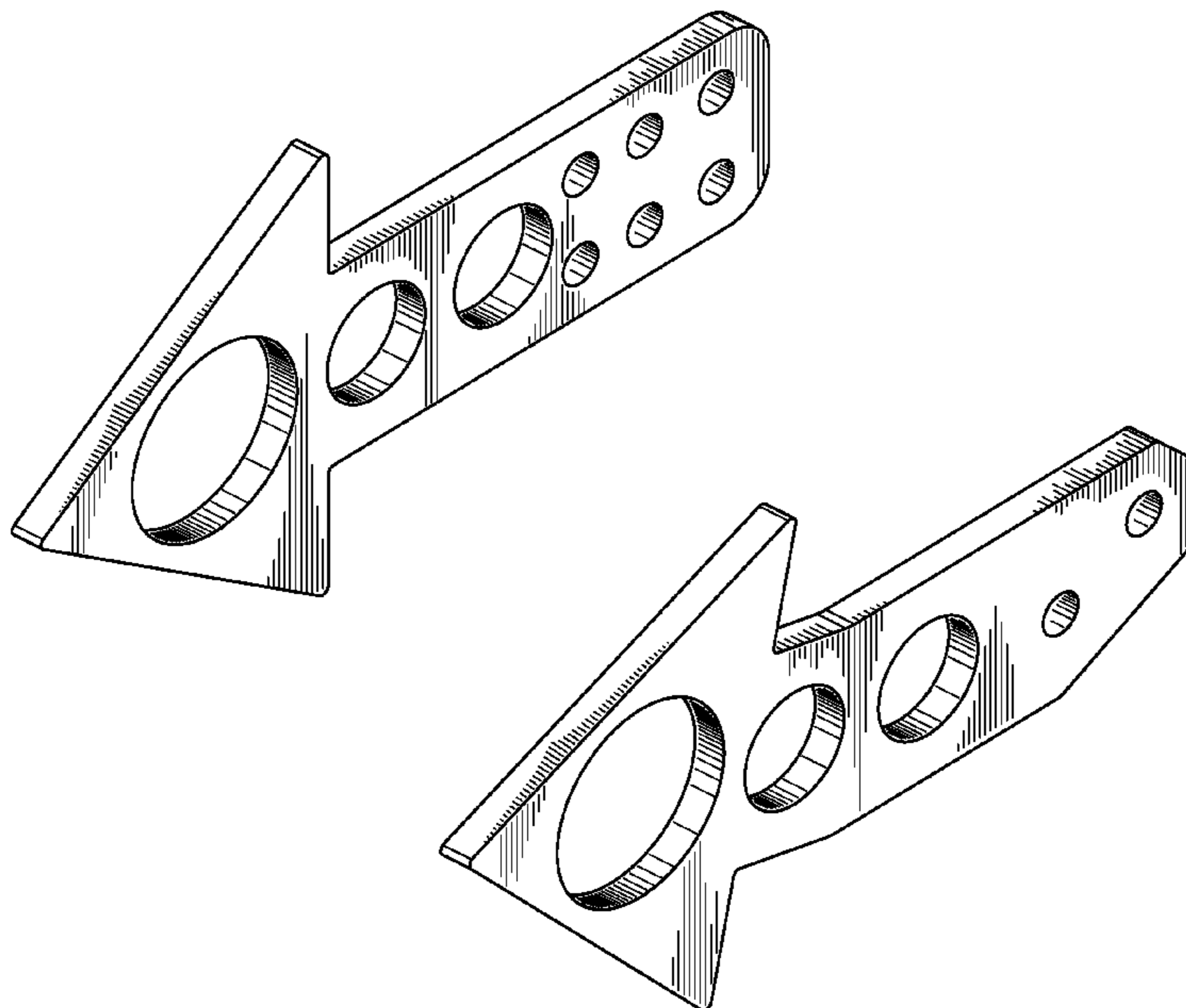
FIG. 8 is a rear elevational view of FIG. 6;

FIG. 9 is a left-side elevational view of FIG. 6, the right-side elevational view being a mirror image thereof;

FIG. 10 is a top plan view of FIG. 6; and,

FIG. 11 is a bottom plan view of FIG. 6.

**1 Claim, 4 Drawing Sheets**



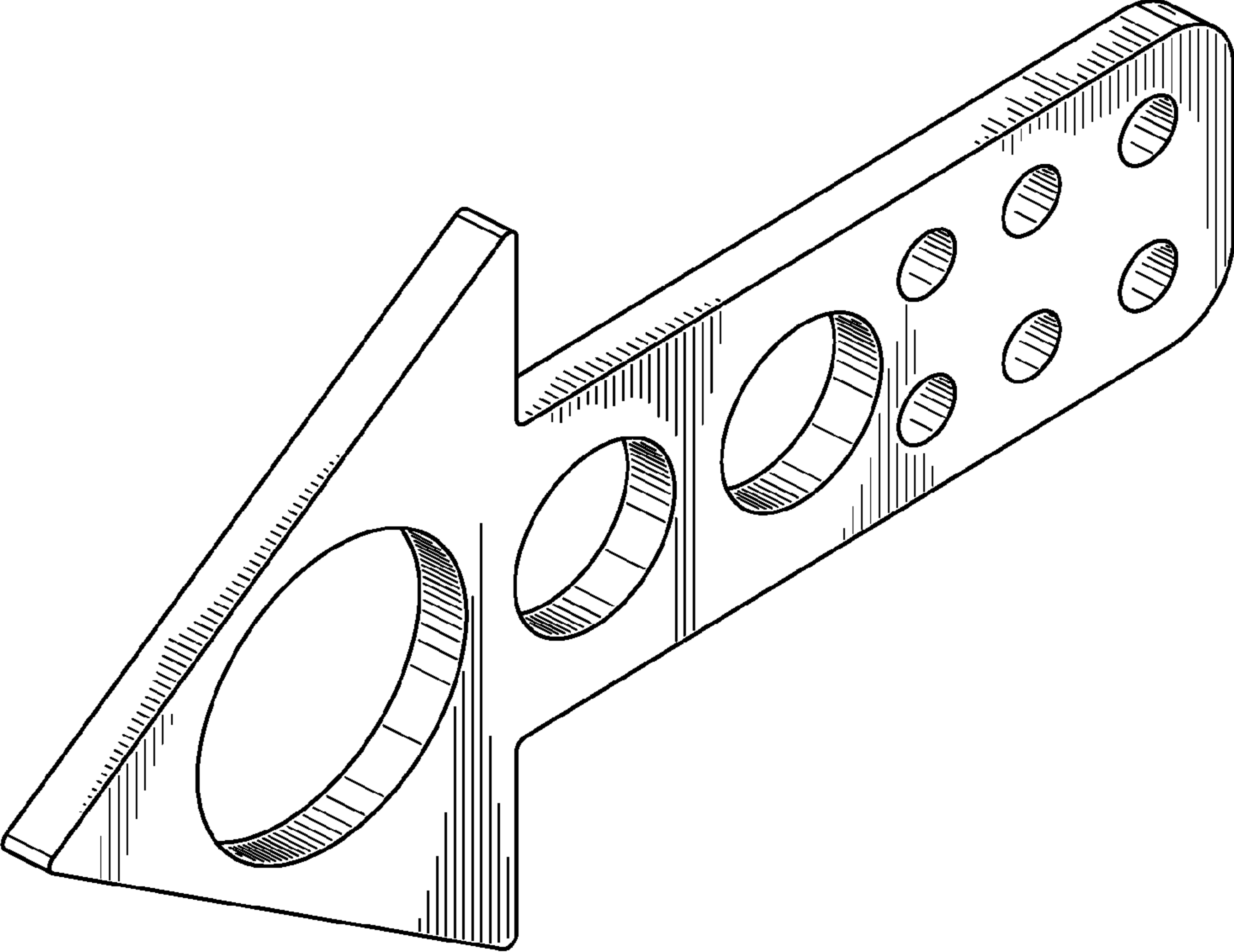


FIG. 1

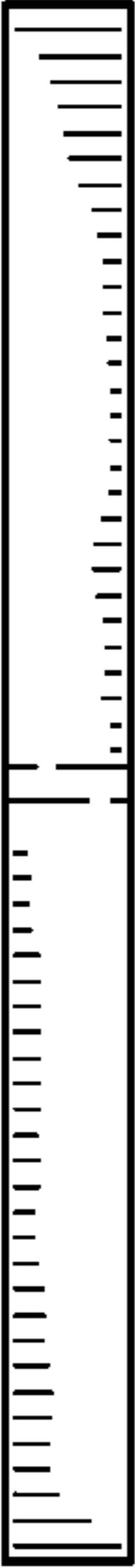


FIG. 2



FIG. 3

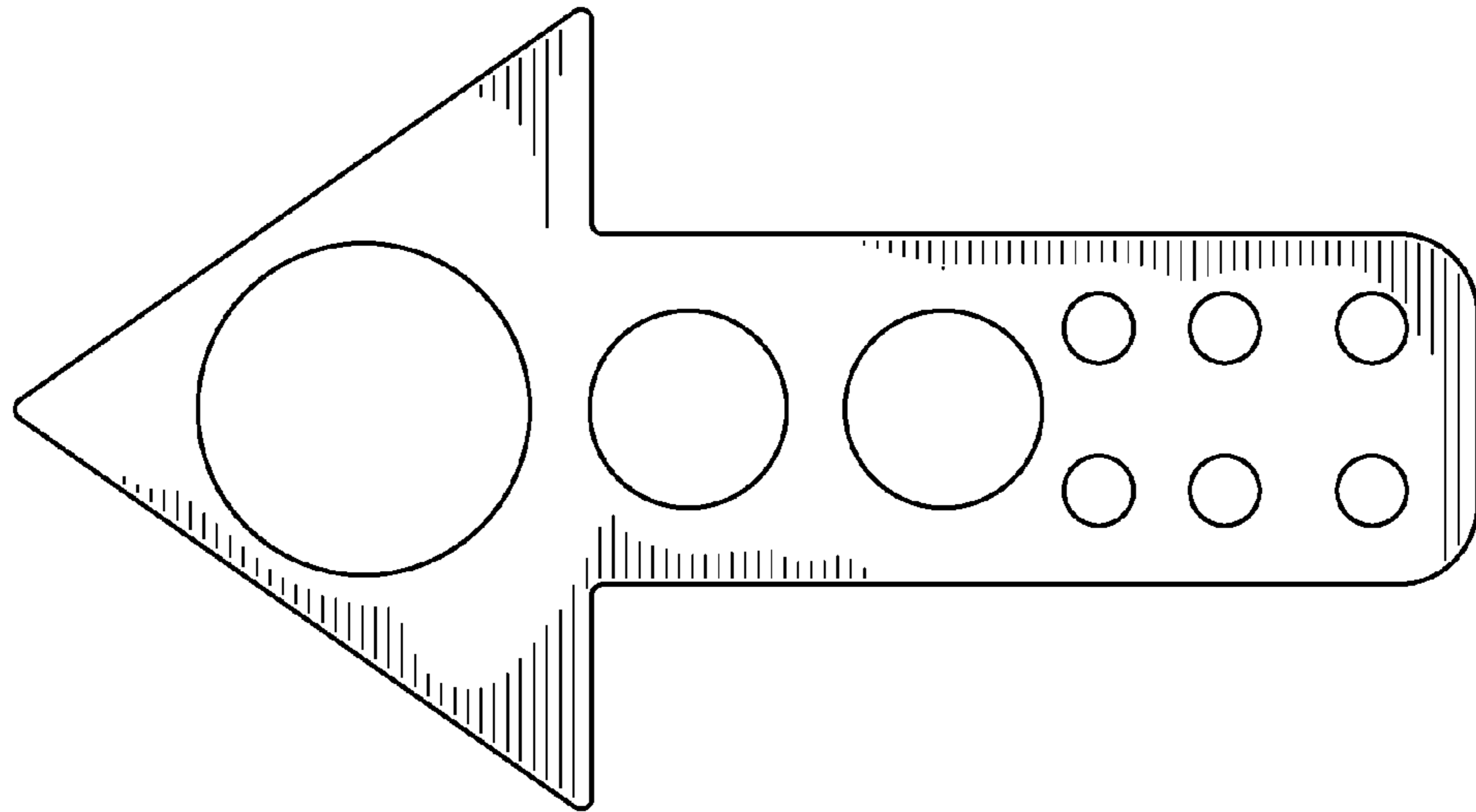


FIG. 4

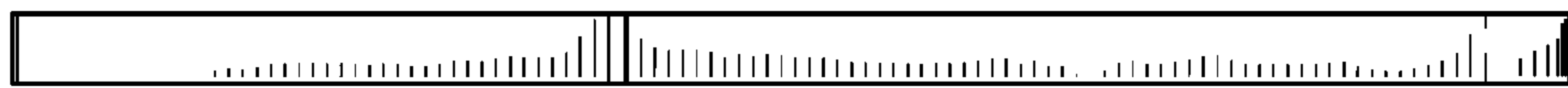


FIG. 5

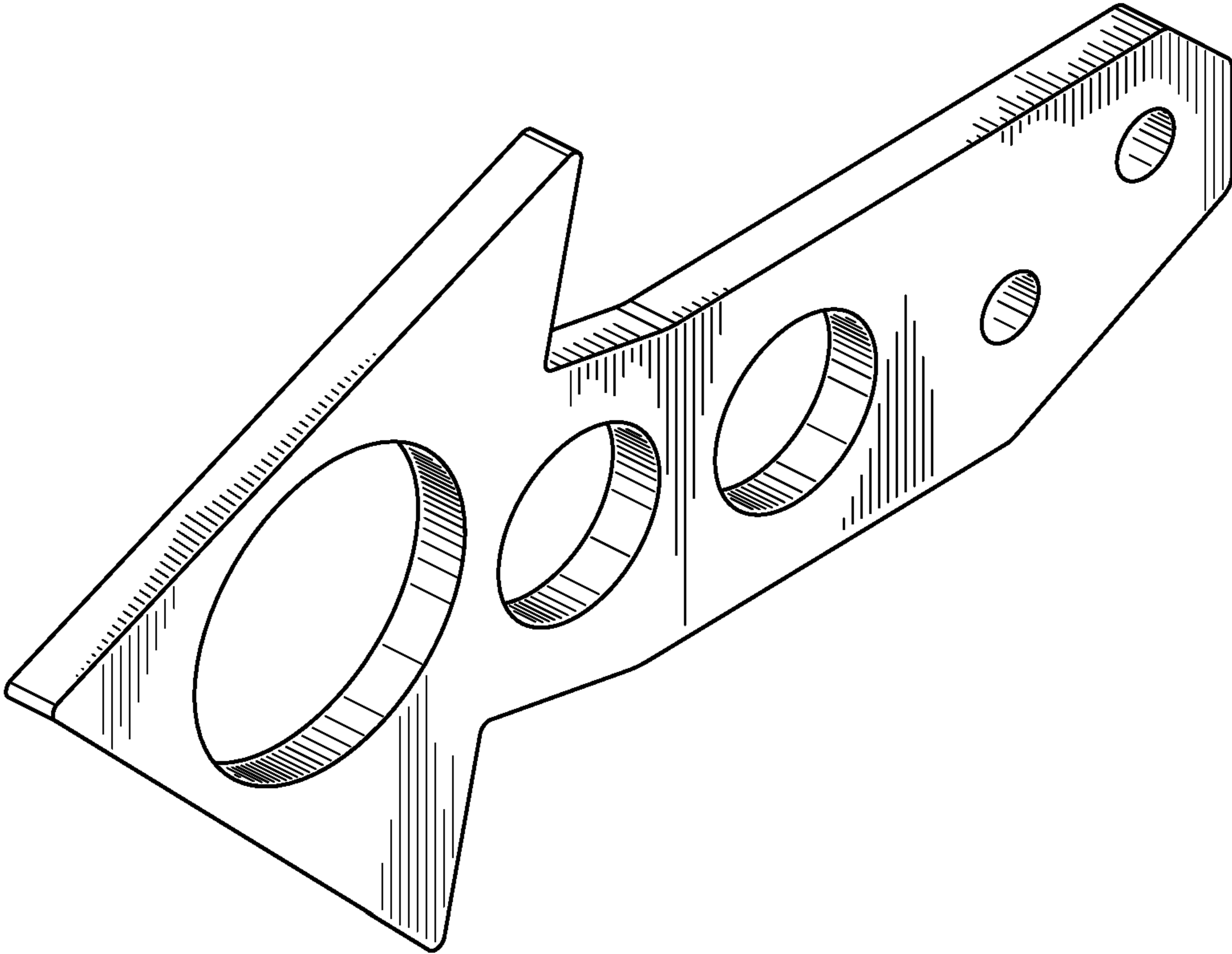


FIG. 6

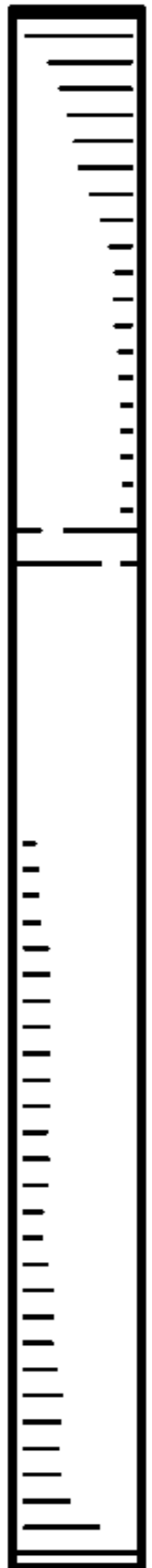


FIG. 7

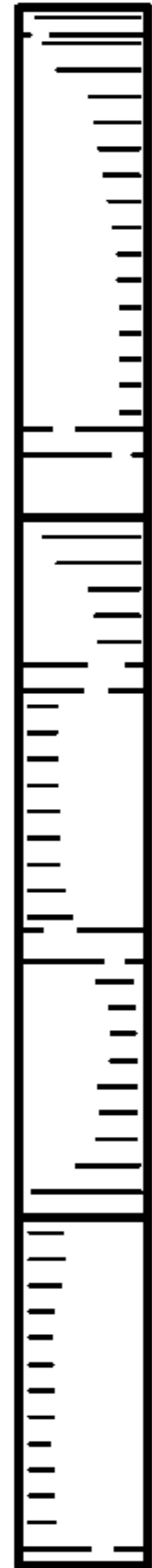


FIG. 8

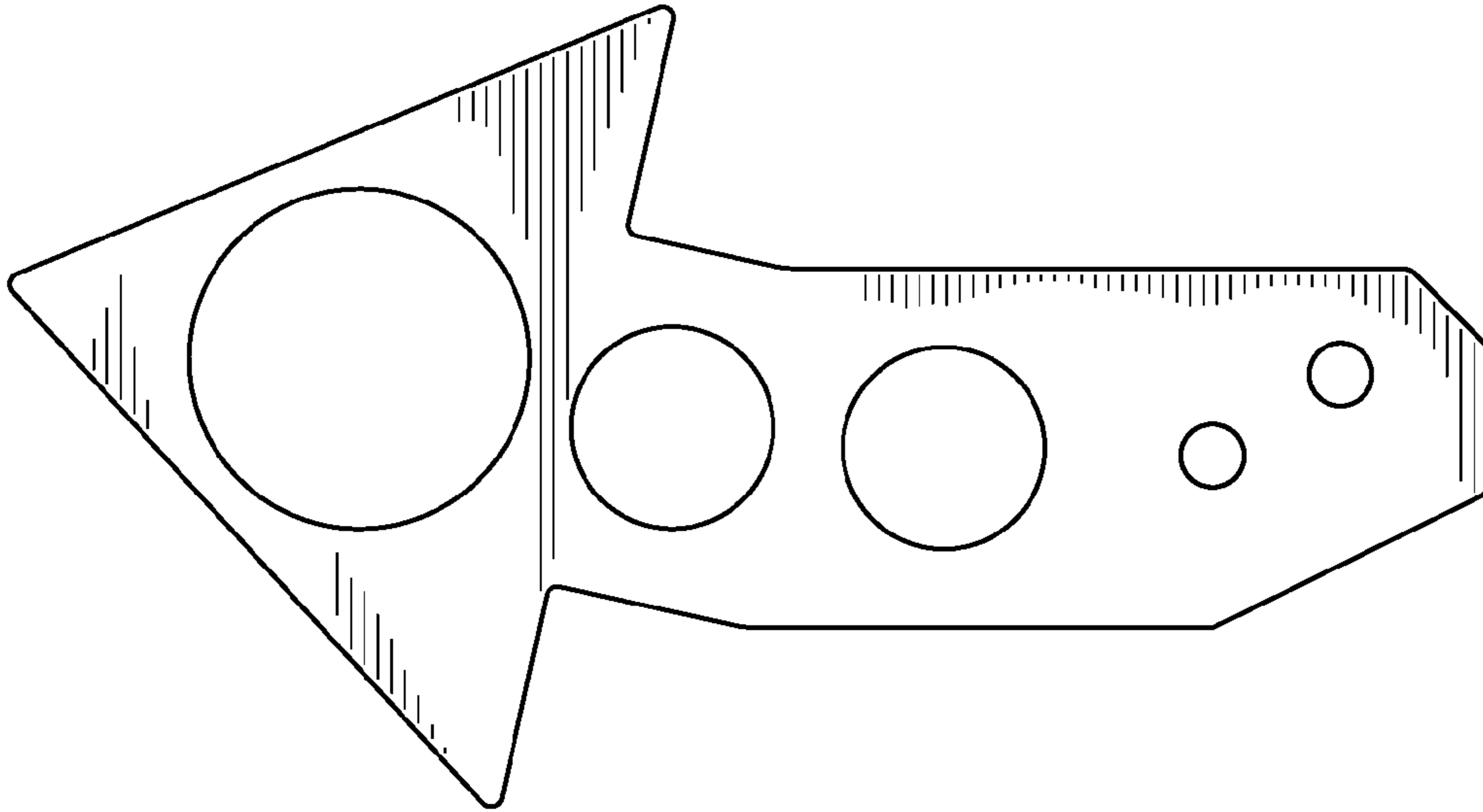


FIG. 9

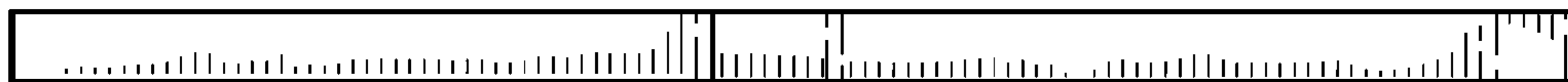


FIG. 10

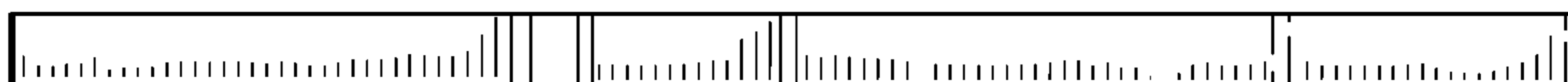


FIG. 11