

US00D666132S

(12) **United States Design Patent**
Armbruster

(10) **Patent No.:** **US D666,132 S**

(45) **Date of Patent:** **** Aug. 28, 2012**

(54) **AUTOMOBILE REAR BODY PANEL**

(56) **References Cited**

(75) Inventor: **Daniel Armbruster**, Weil Der Stadt
(DE)

(73) Assignee: **Dr. Ing. h.c. F. Porsche**
Aktiengesellschaft, Stuttgart (DE)

(**) Term: **14 Years**

(21) Appl. No.: **29/366,339**

(22) Filed: **Jul. 23, 2010**

(30) **Foreign Application Priority Data**

Jan. 23, 2010 (DE) 40 2010 000 382

(51) **LOC (9) Cl.** **12-16**

(52) **U.S. Cl.** **D12/196**

(58) **Field of Classification Search** D12/184,
D12/196, 90-92; 280/152.1, 847-849, 851;
296/181.1, 181.5

See application file for complete search history.

U.S. PATENT DOCUMENTS

D548,662 S *	8/2007	Markefka	D12/196
D566,027 S *	4/2008	Gavriles	D12/196
D607,780 S *	1/2010	Larson	D12/92
D620,413 S *	7/2010	Huet	D12/196
D620,414 S *	7/2010	Froehlich	D12/196
D623,557 S *	9/2010	Kulla et al.	D12/92
D633,838 S *	3/2011	Loeb	D12/196

* cited by examiner

Primary Examiner — Melody N Brown

(74) *Attorney, Agent, or Firm* — RatnerPrestia

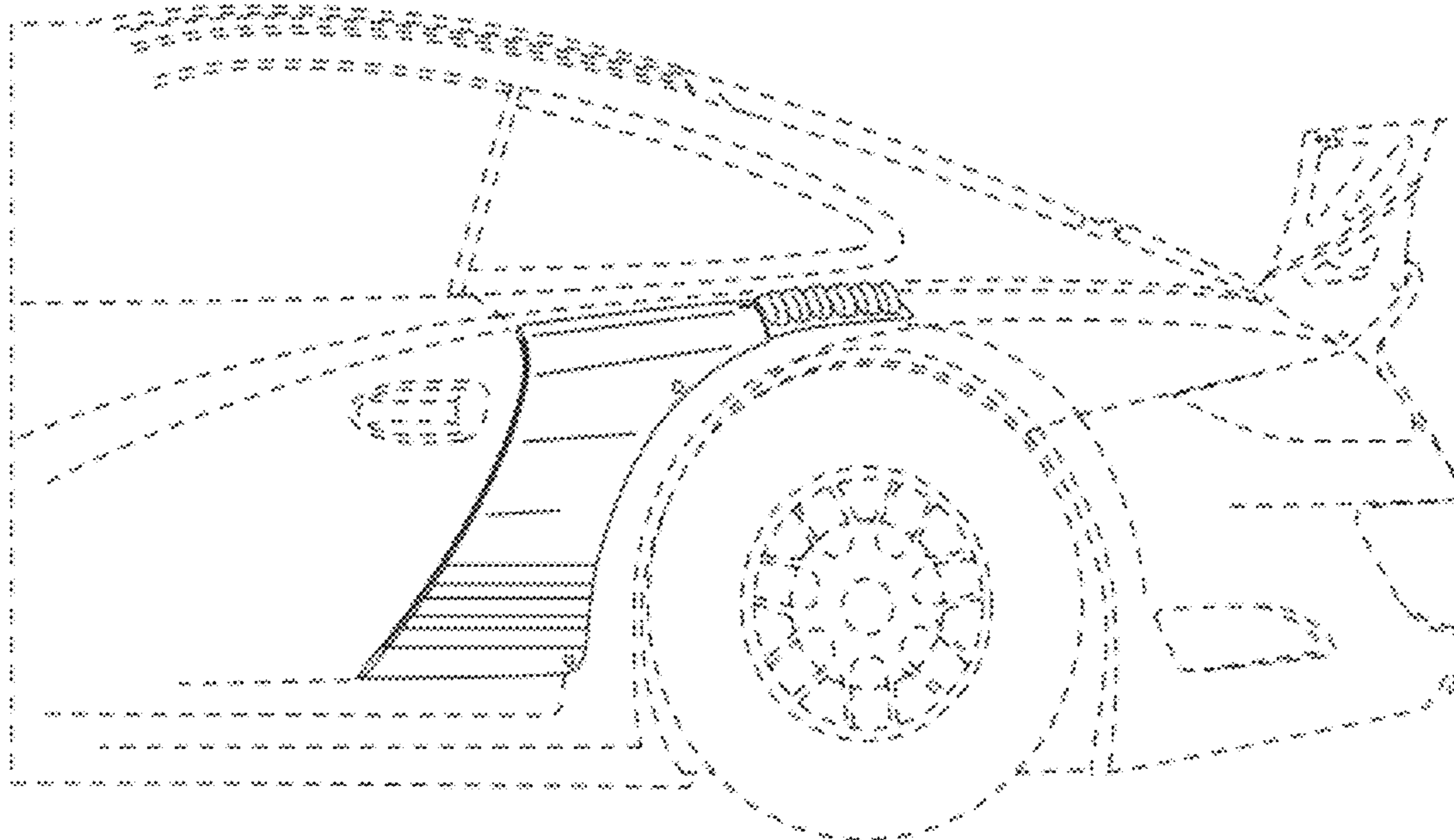
(57) **CLAIM**

The ornamental design for an automobile rear body panel, as shown and described.

DESCRIPTION

FIG. 1 is a front and side perspective view of an automobile rear body panel showing my new design; FIG. 2 is another front and side perspective view thereof on a reduced scale; FIG. 3 is a side elevation view thereof on a reduced scale; and, FIG. 4 is a rear perspective view thereof on a reduced scale. The broken lines shown throughout the drawing views are for illustrative purposes only and form no part of the claimed design.

1 Claim, 4 Drawing Sheets



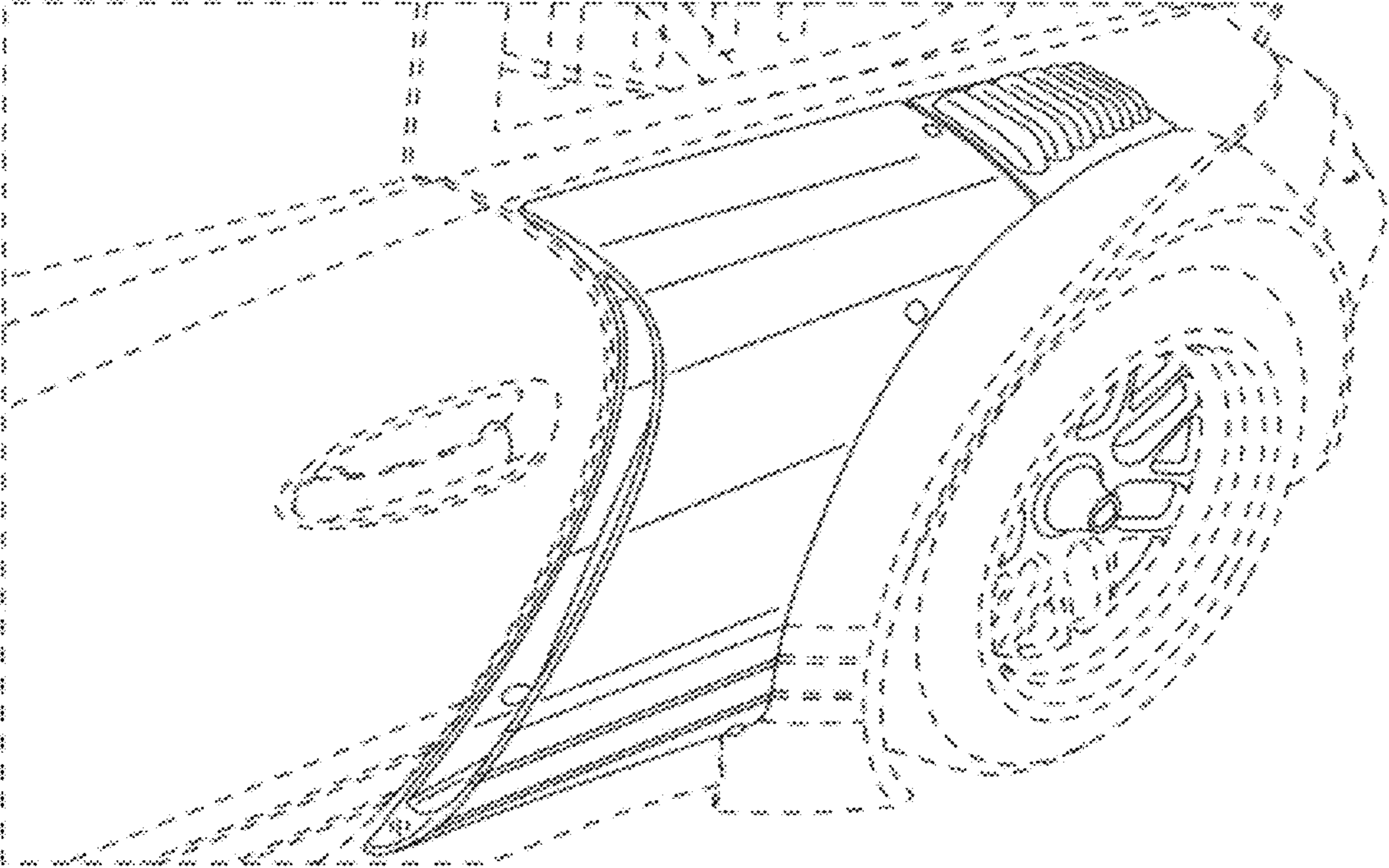


FIG. 1

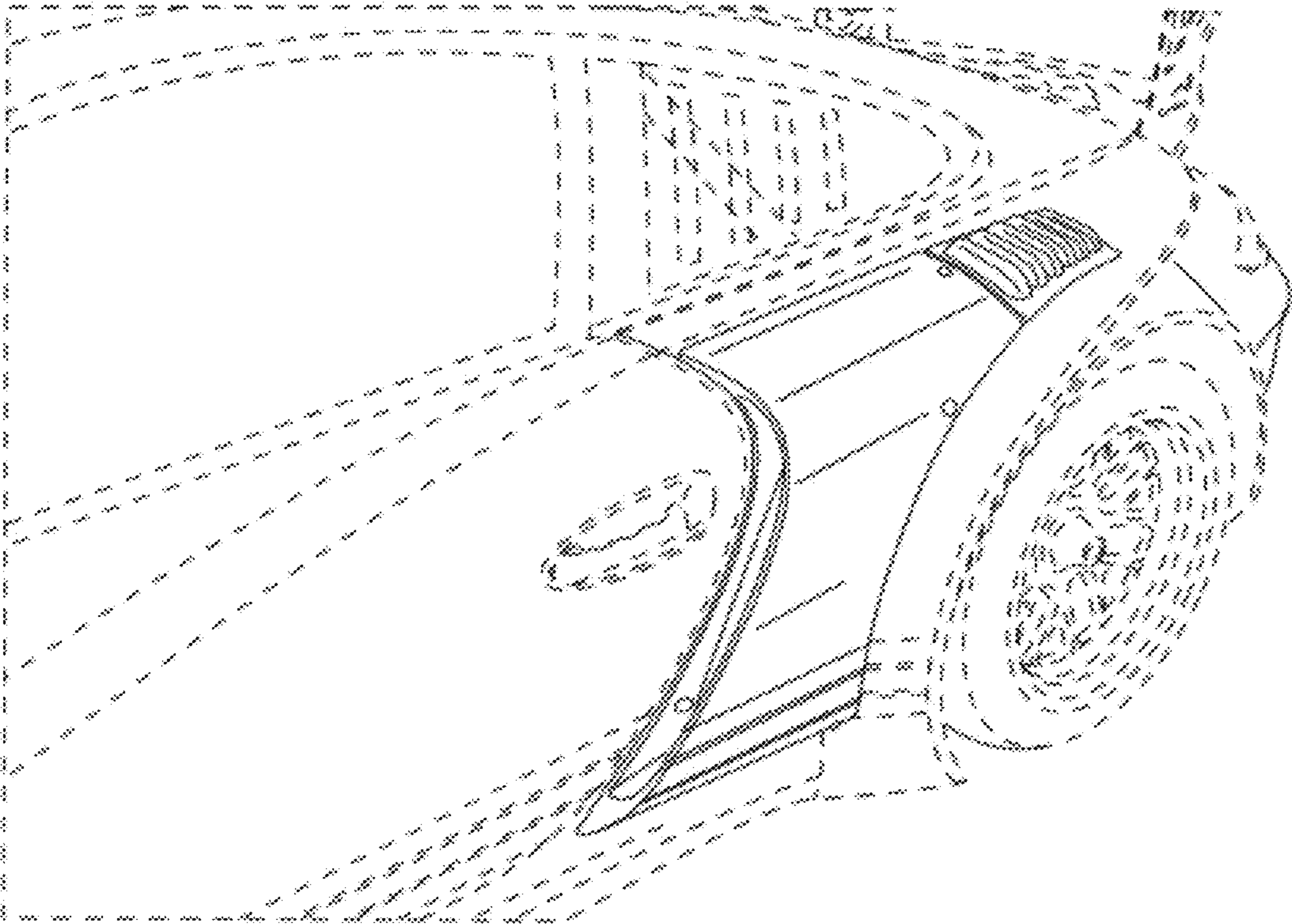


FIG. 2

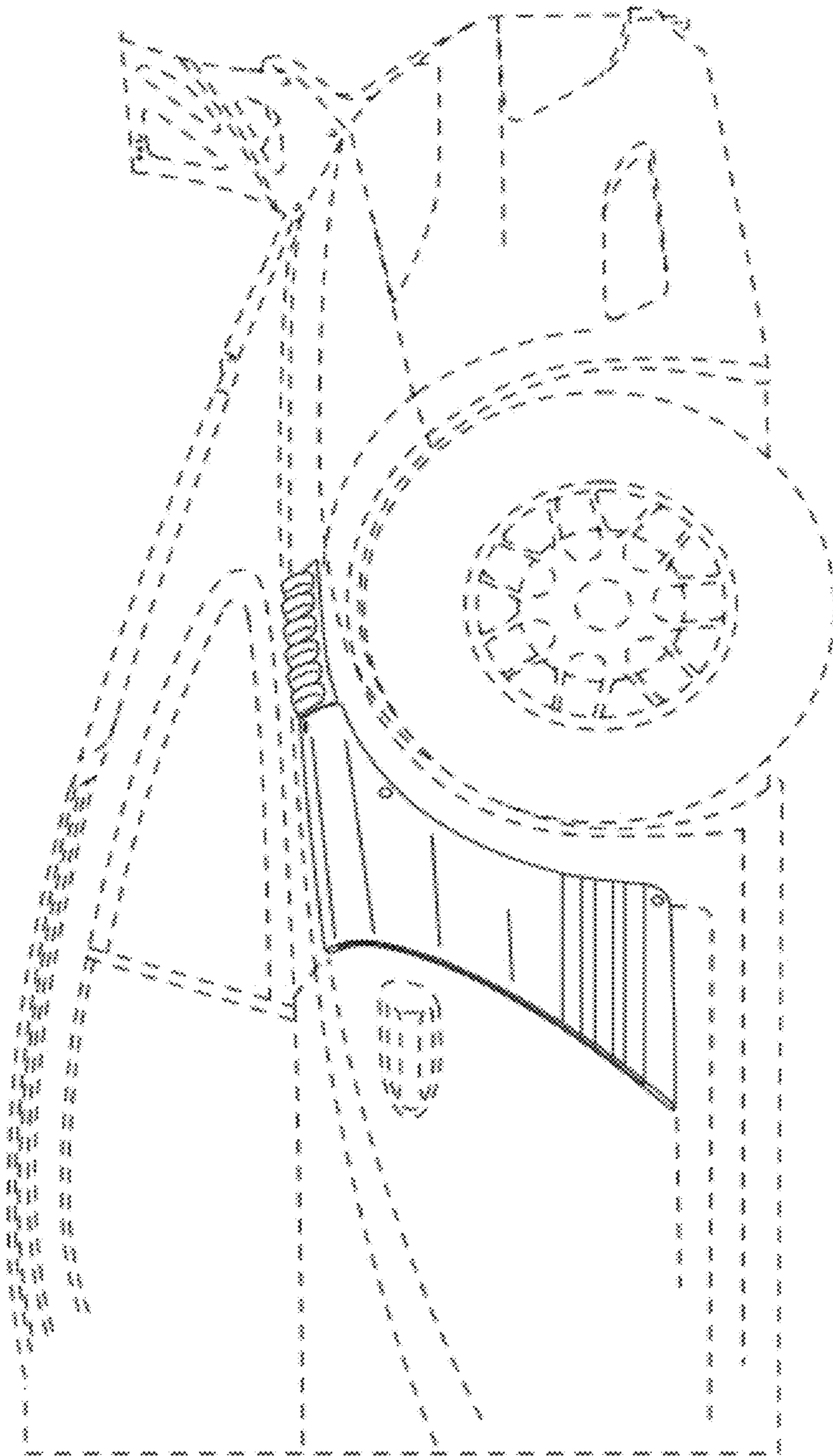


FIG. 3

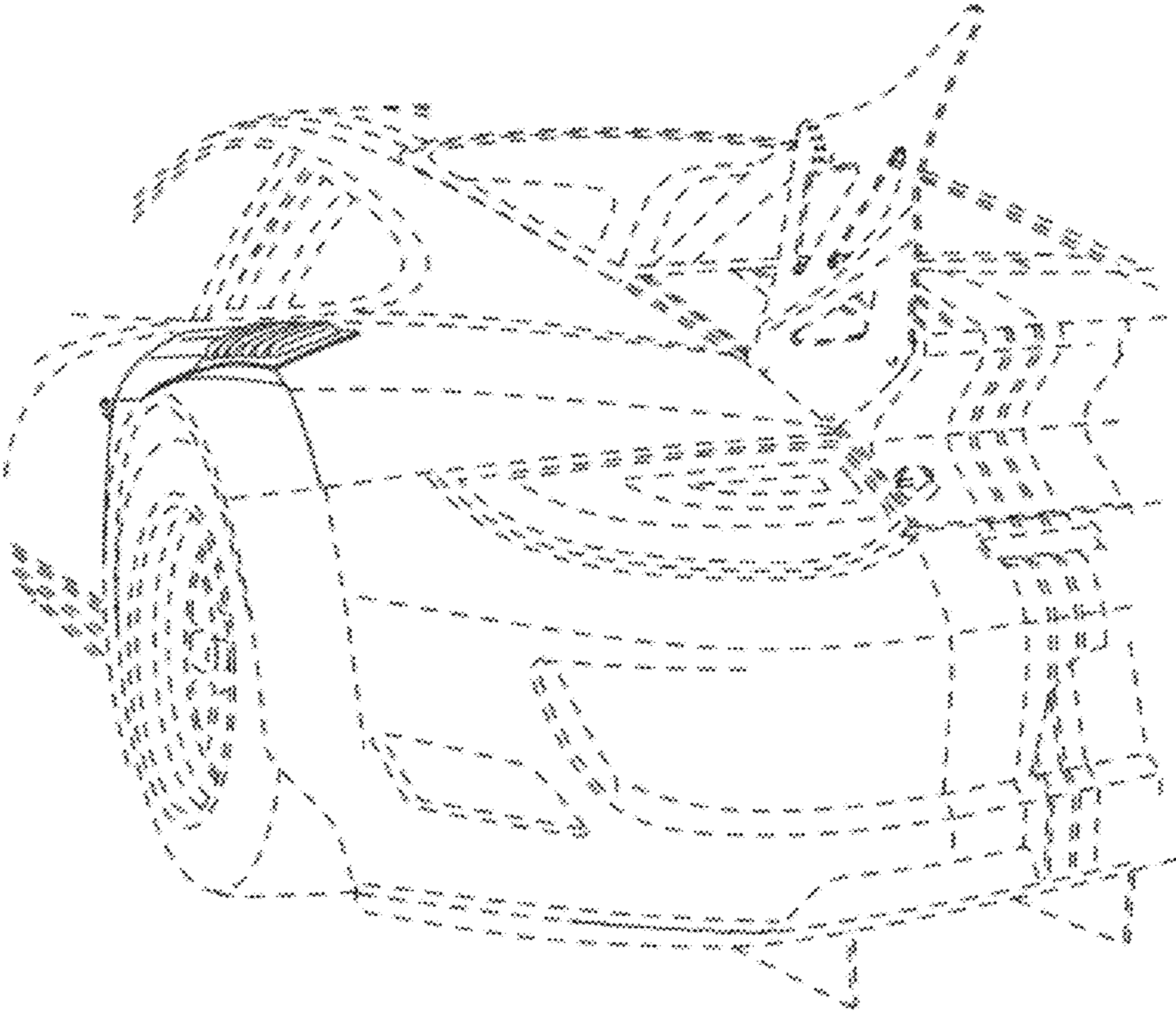


FIG. 4