

US00D666131S

(12) **United States Design Patent**  
**Gasevski et al.**

(10) **Patent No.:** **US D666,131 S**

(45) **Date of Patent:** **\*\* Aug. 28, 2012**

(54) **STEERING WHEEL**

(75) Inventors: **Lou Gasevski**, Rochester, MI (US);  
**Dennis Friedenstab**, White Lake  
Township, MI (US); **Steve Holmes**,  
Northville, MI (US); **Rick North**,  
Linden, MI (US); **Steve Sowinski**,  
Rochester Hills, MI (US)

(73) Assignee: **Chrysler Group LLC**, Auburn Hills, MI  
(US)

(\*\*) Term: **14 Years**

(21) Appl. No.: **29/392,583**

(22) Filed: **May 24, 2011**

(51) **LOC (9) Cl.** ..... **12-16**

(52) **U.S. Cl.** ..... **D12/176**

(58) **Field of Classification Search** ..... D12/175,  
D12/176; 74/552, 558, 558.5

See application file for complete search history.

(56) **References Cited**

U.S. PATENT DOCUMENTS

D497,857 S 11/2004 Namgoong et al.  
D571,697 S \* 6/2008 Maeda et al. .... D12/176

D583,735 S \* 12/2008 Wyszogrod et al. .... D12/176  
D600,612 S \* 9/2009 Hwang et al. .... D12/176  
D630,983 S \* 1/2011 Frank et al. .... D12/176  
D640,619 S \* 6/2011 Araki et al. .... D12/176  
D649,095 S \* 11/2011 Frank et al. .... D12/176  
D651,543 S \* 1/2012 Ali et al. .... D12/176  
D659,613 S \* 5/2012 Tanaka et al. .... D12/176

\* cited by examiner

*Primary Examiner* — Melody N Brown

(74) *Attorney, Agent, or Firm* — Ralph E. Smith

(57) **CLAIM**

The ornamental design for a steering wheel, as shown and described.

**DESCRIPTION**

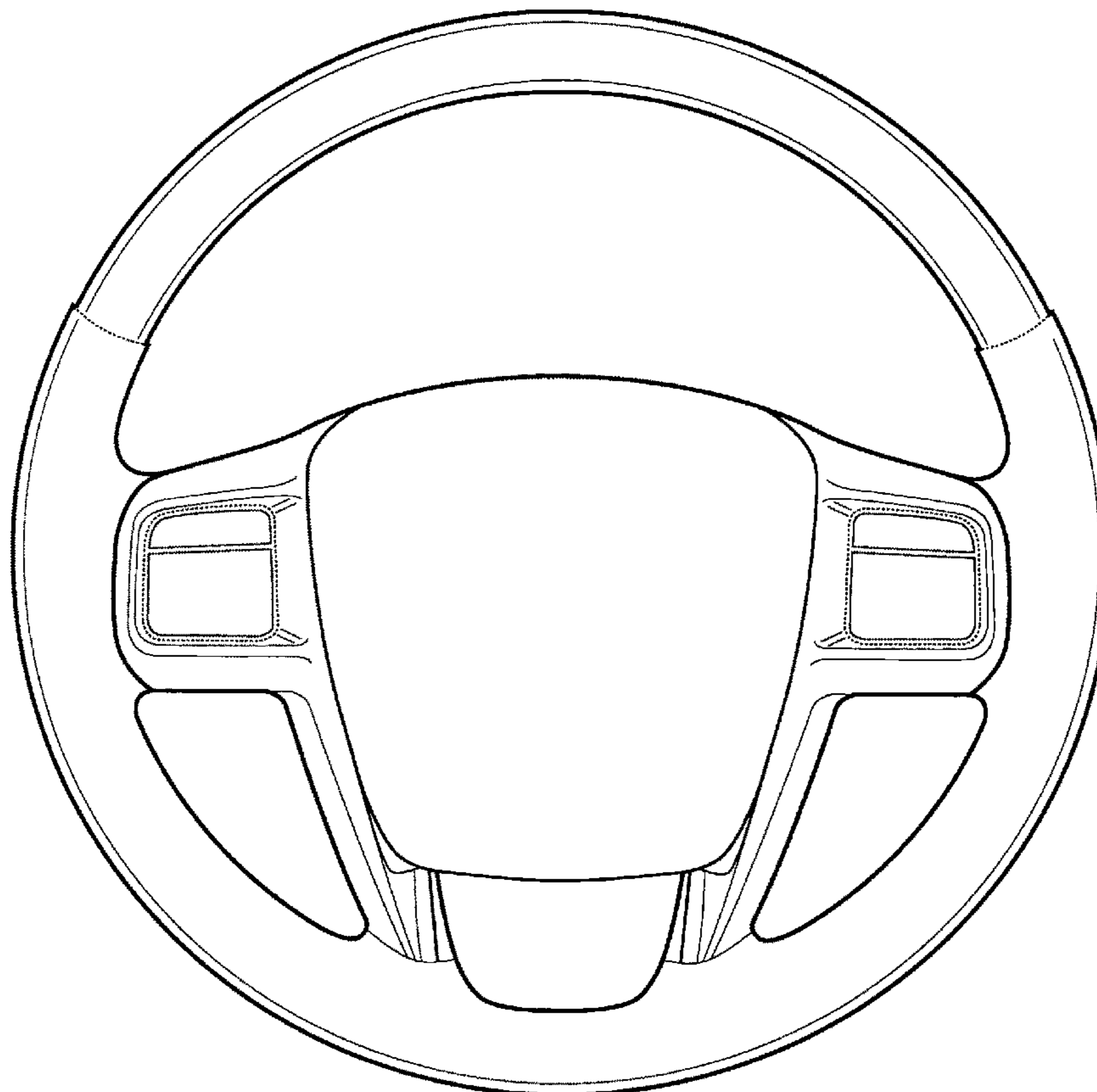
FIG. 1 is a front perspective view of a steering wheel showing our new design;

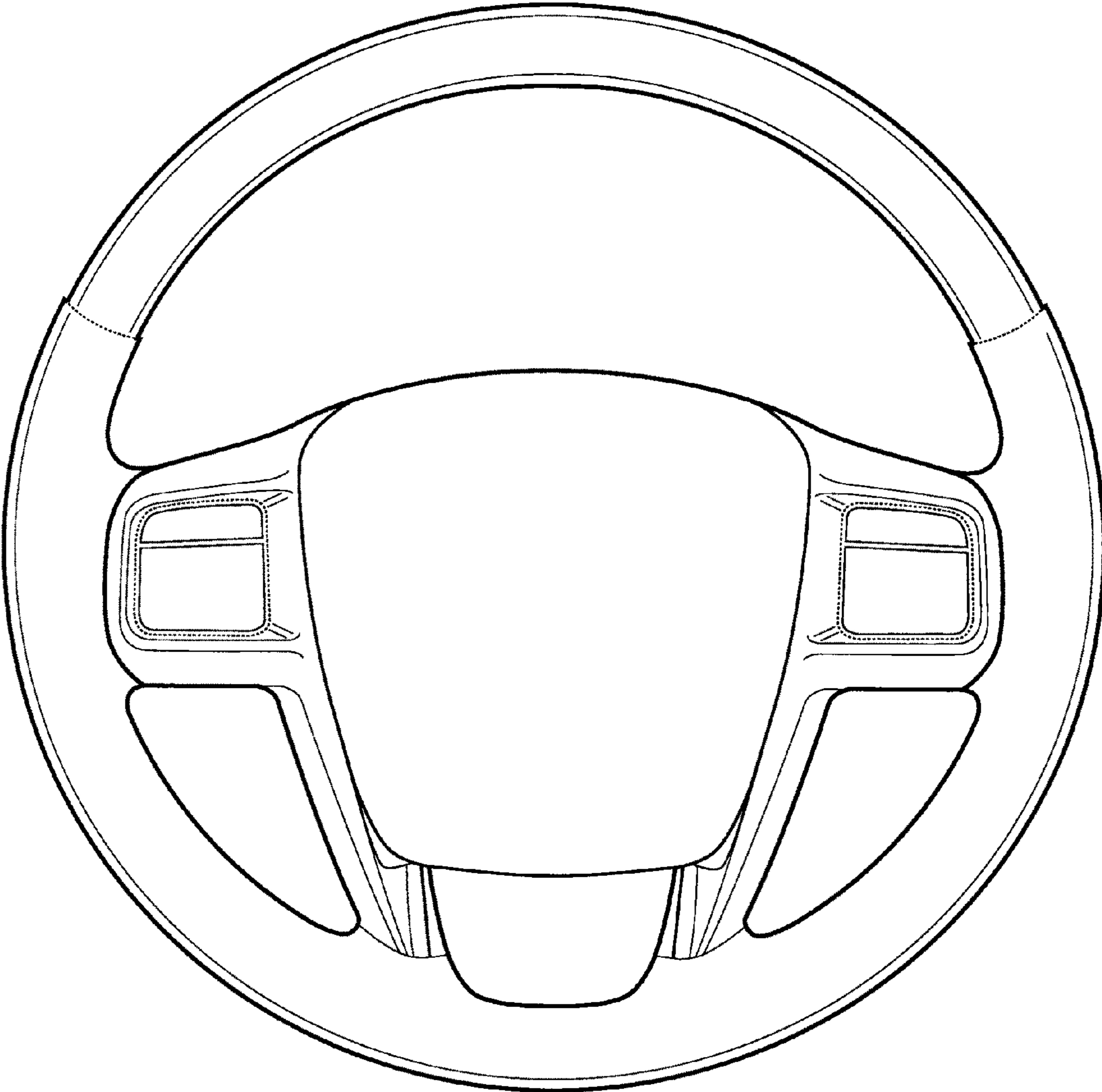
FIG. 2 is a top perspective view thereof; and,

FIG. 3 is a side view thereof.

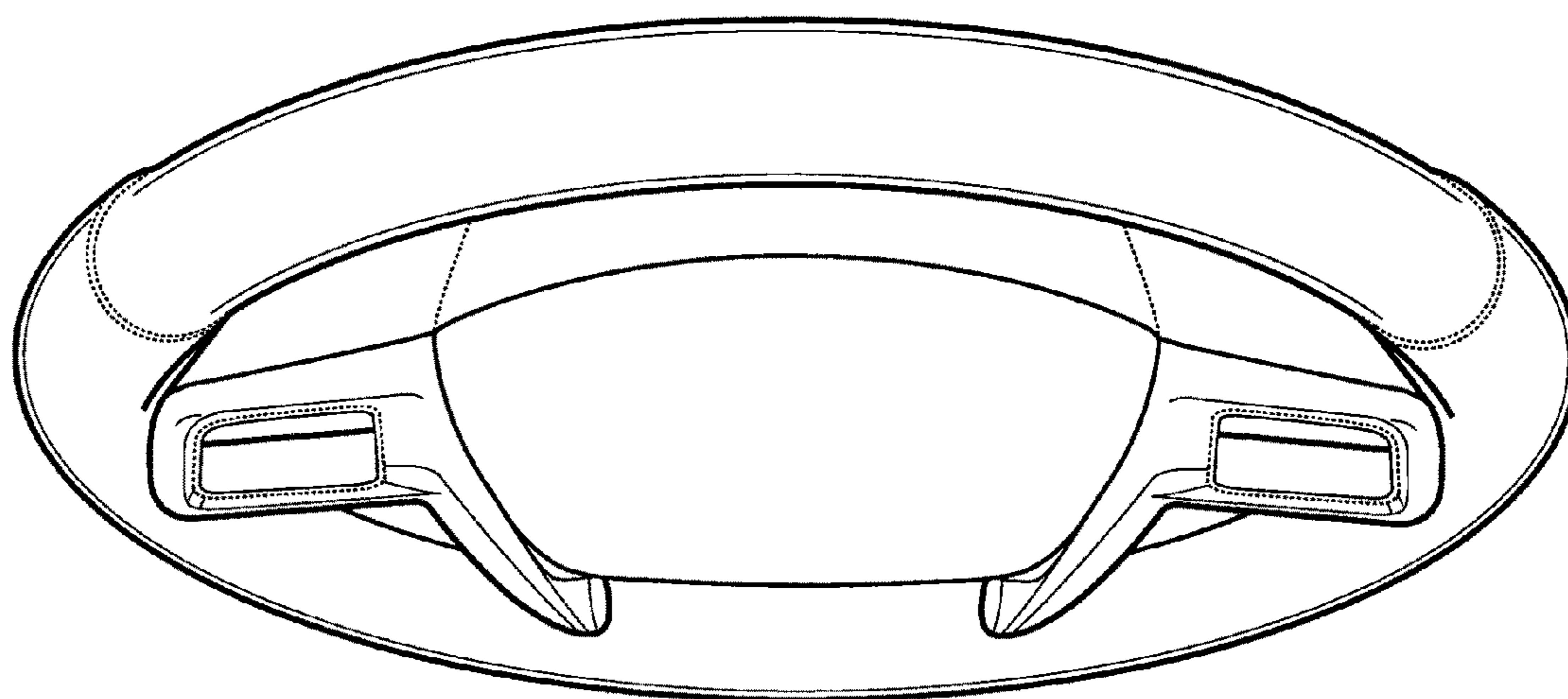
It will be understood that the broken lines presented in the drawings are for illustration only, and do not form a part of the claimed design.

**1 Claim, 3 Drawing Sheets**

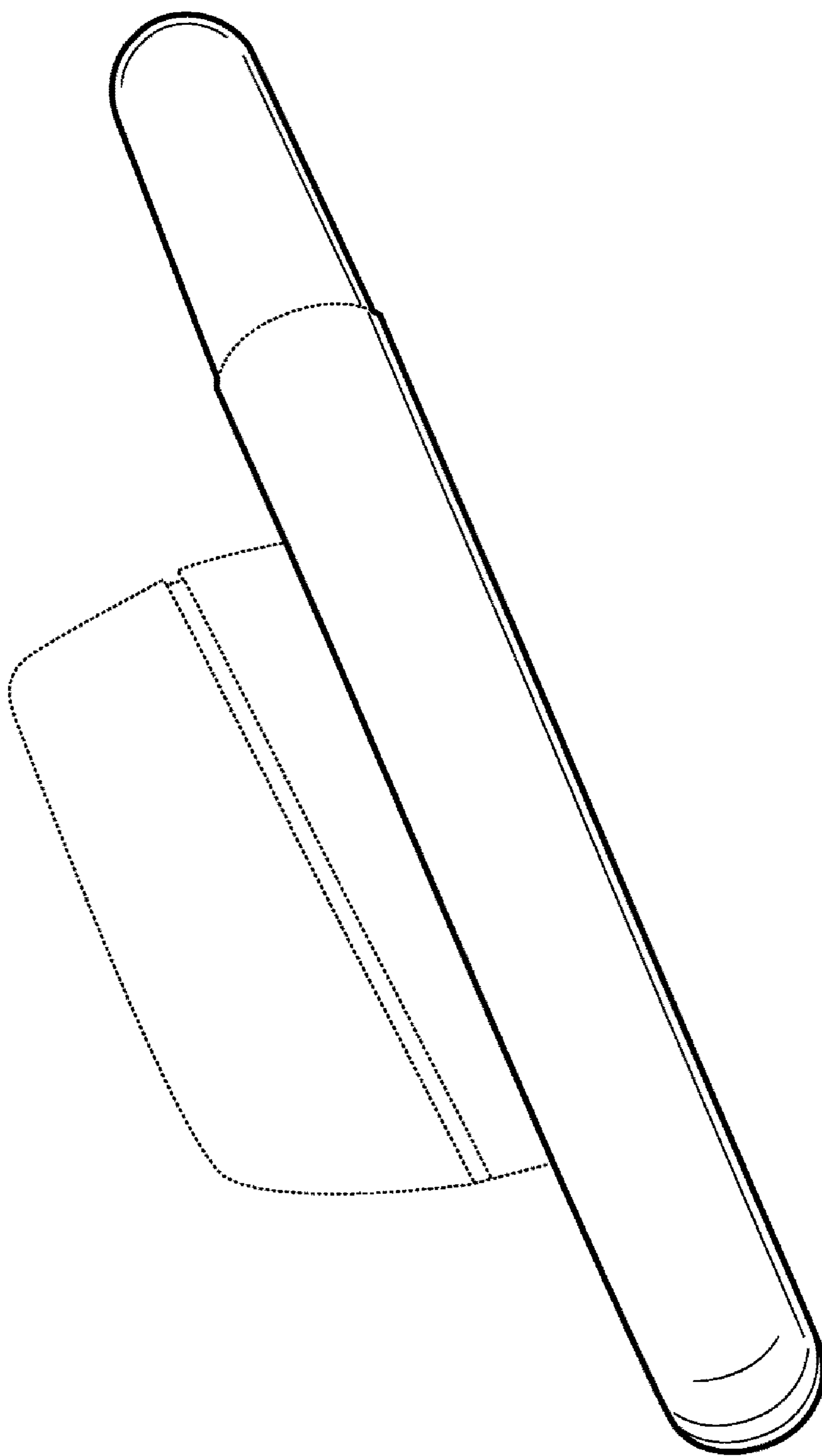




**FIG. 1**



**FIG. 2**



**FIG. 3**