



US00D666128S

(12) **United States Design Patent**
Vanleeuwen

(10) **Patent No.:** **US D666,128 S**

(45) **Date of Patent:** **** Aug. 28, 2012**

(54) **ADVANCED HIGH CAMBER VEHICLE**

(76) Inventor: **Matthew John Vanleeuwen**, Lawndale,
CA (US)

(**) Term: **14 Years**

(21) Appl. No.: **29/404,271**

(22) Filed: **Nov. 2, 2011**

(51) **LOC (9) Cl.** **12-08**

(52) **U.S. Cl.** **D12/86**

(58) **Field of Classification Search** D12/86,
D12/90-92, 88, 85; D21/424, 433, 434;
296/181.1, 181.5

See application file for complete search history.

(56) **References Cited**

U.S. PATENT DOCUMENTS

D614,083 S *	4/2010	Wainfan	D12/86
D626,033 S *	10/2010	Browne	D12/86
D633,821 S *	3/2011	Hill et al.	D12/85

D641,287 S * 7/2011 Halajko et al. D12/85
* cited by examiner

Primary Examiner — Melody N Brown

(74) *Attorney, Agent, or Firm* — Gene Scott; Patent Law &
Venture Group

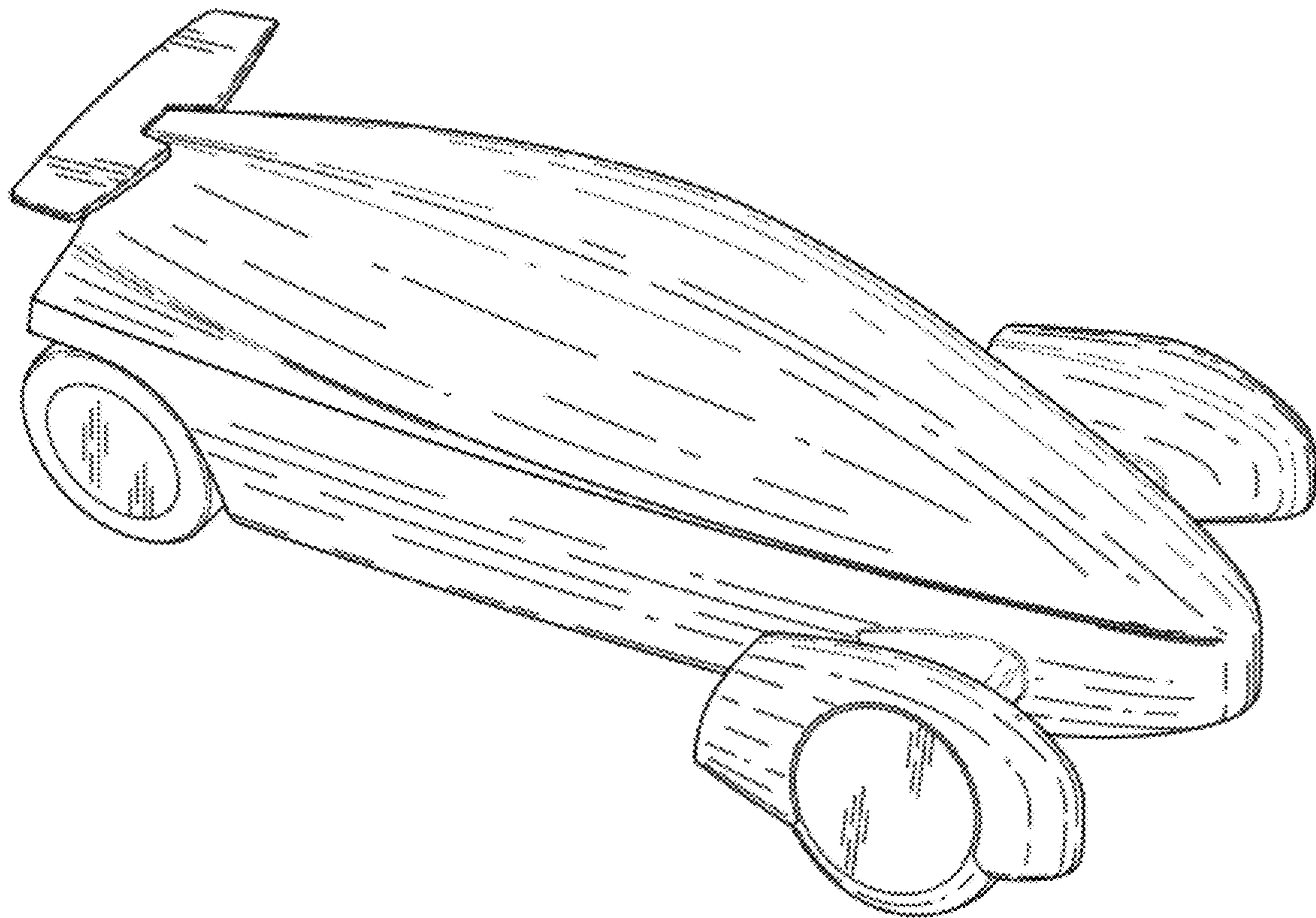
(57) **CLAIM**

The ornamental design for an advanced high camber vehicle,
as shown and described.

DESCRIPTION

FIG. 1 is a perspective view of an advanced high camber
vehicle showing my new design;
FIG. 2 is a front elevational view thereof;
FIG. 3 is a rear elevational view thereof;
FIG. 4 is a right side elevational view thereof, the left side
being a mirror image;
FIG. 5 is a top plan view thereof; and,
FIG. 6 is a bottom plan view thereof.

1 Claim, 3 Drawing Sheets



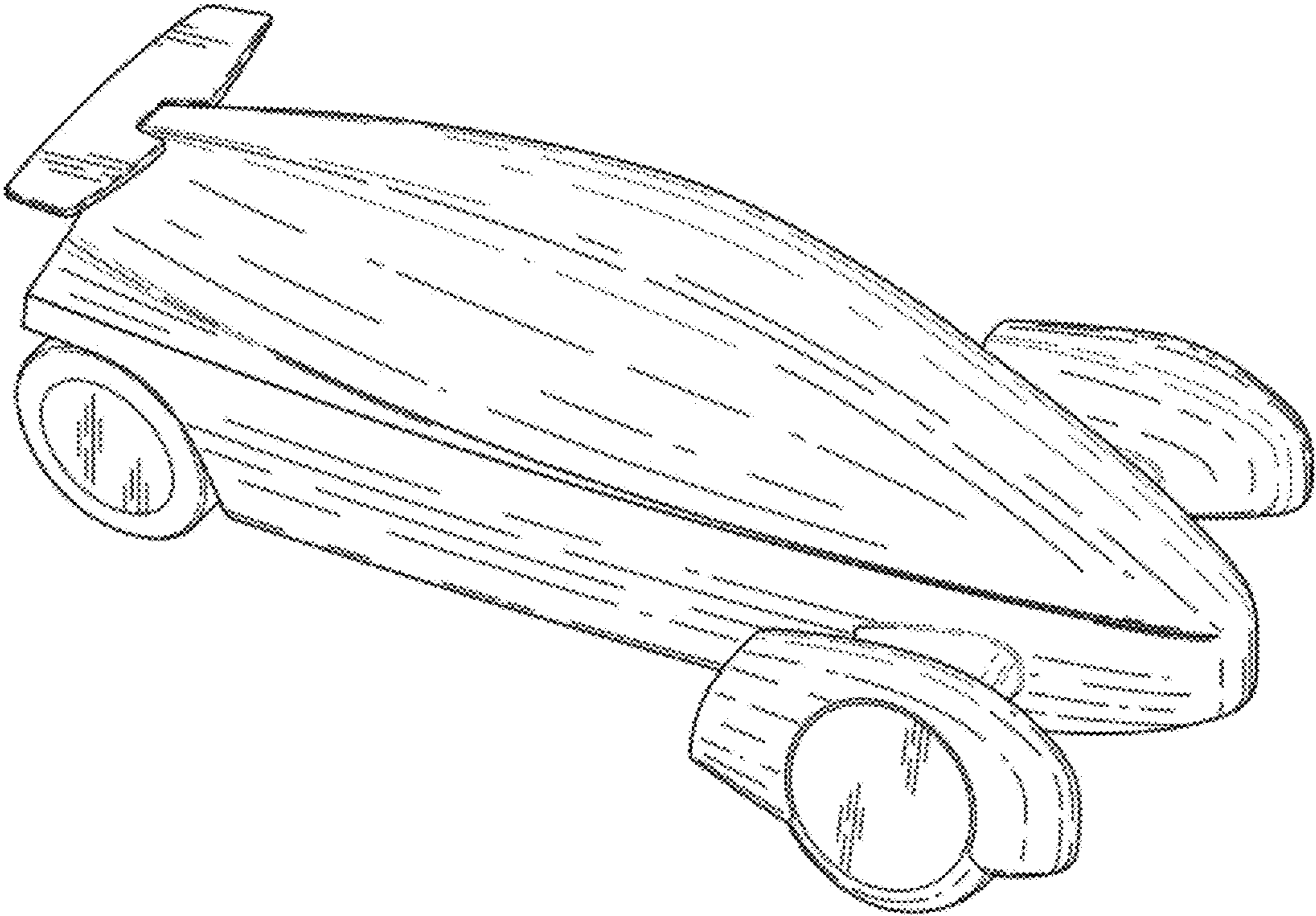


FIG. 1

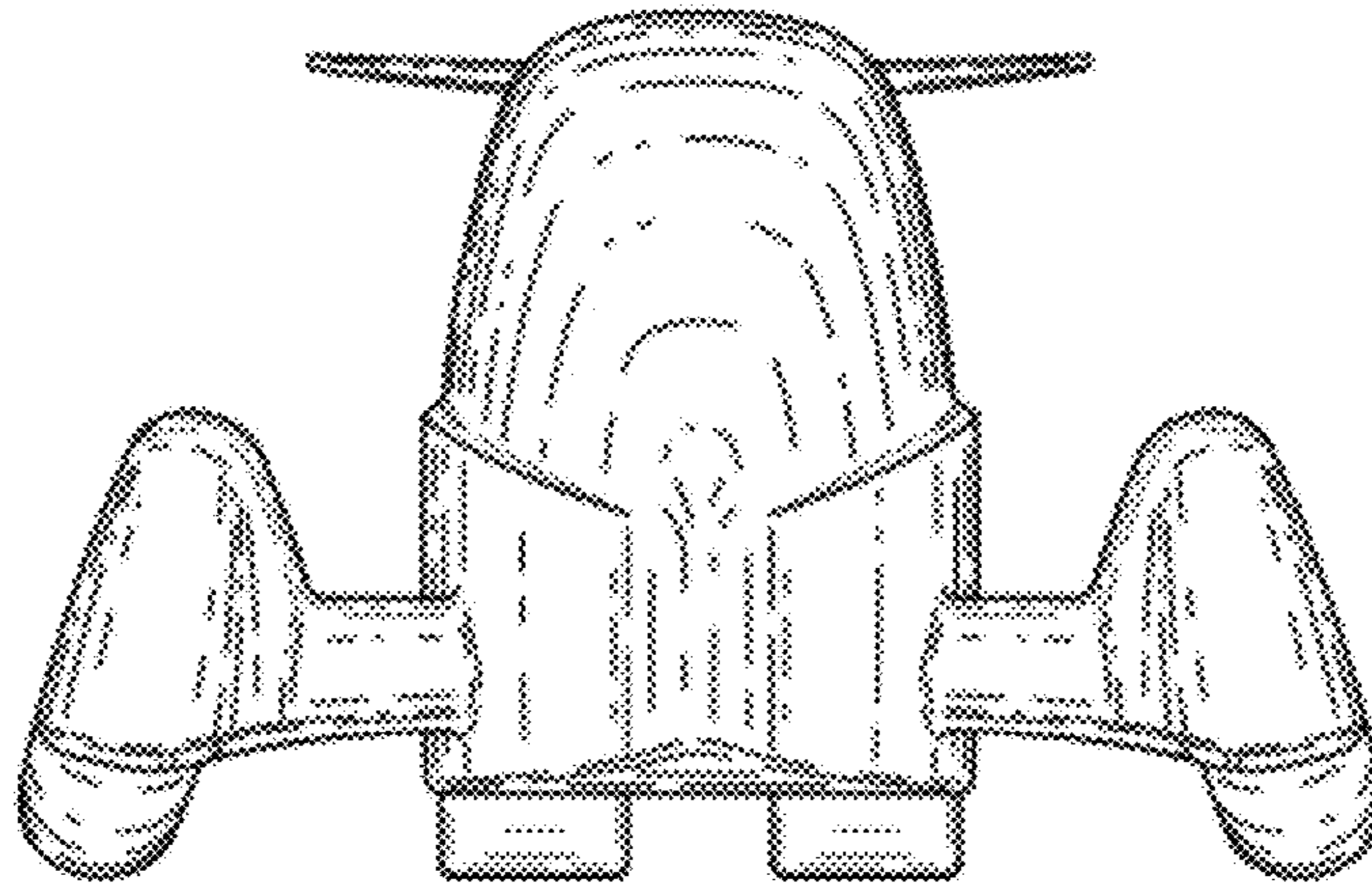


FIG. 2

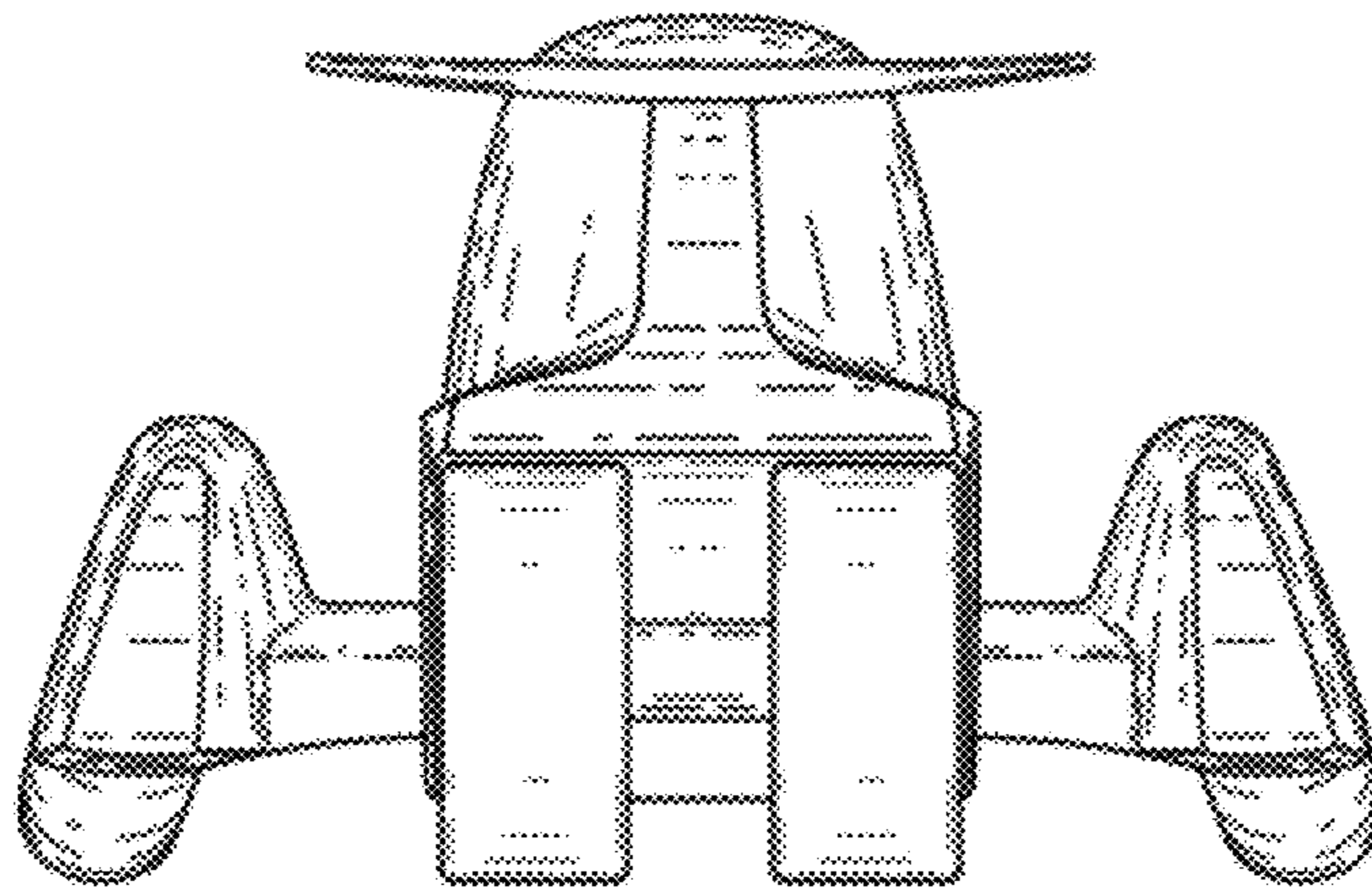


FIG. 3

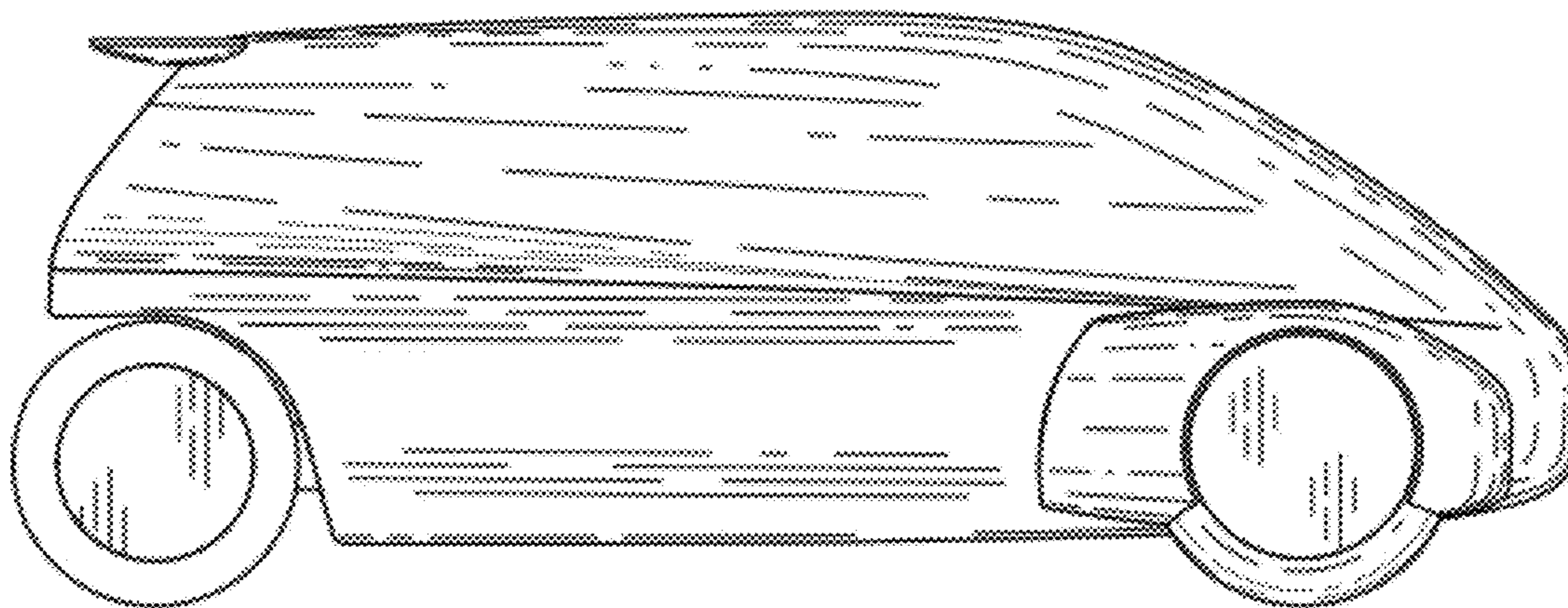


FIG. 4

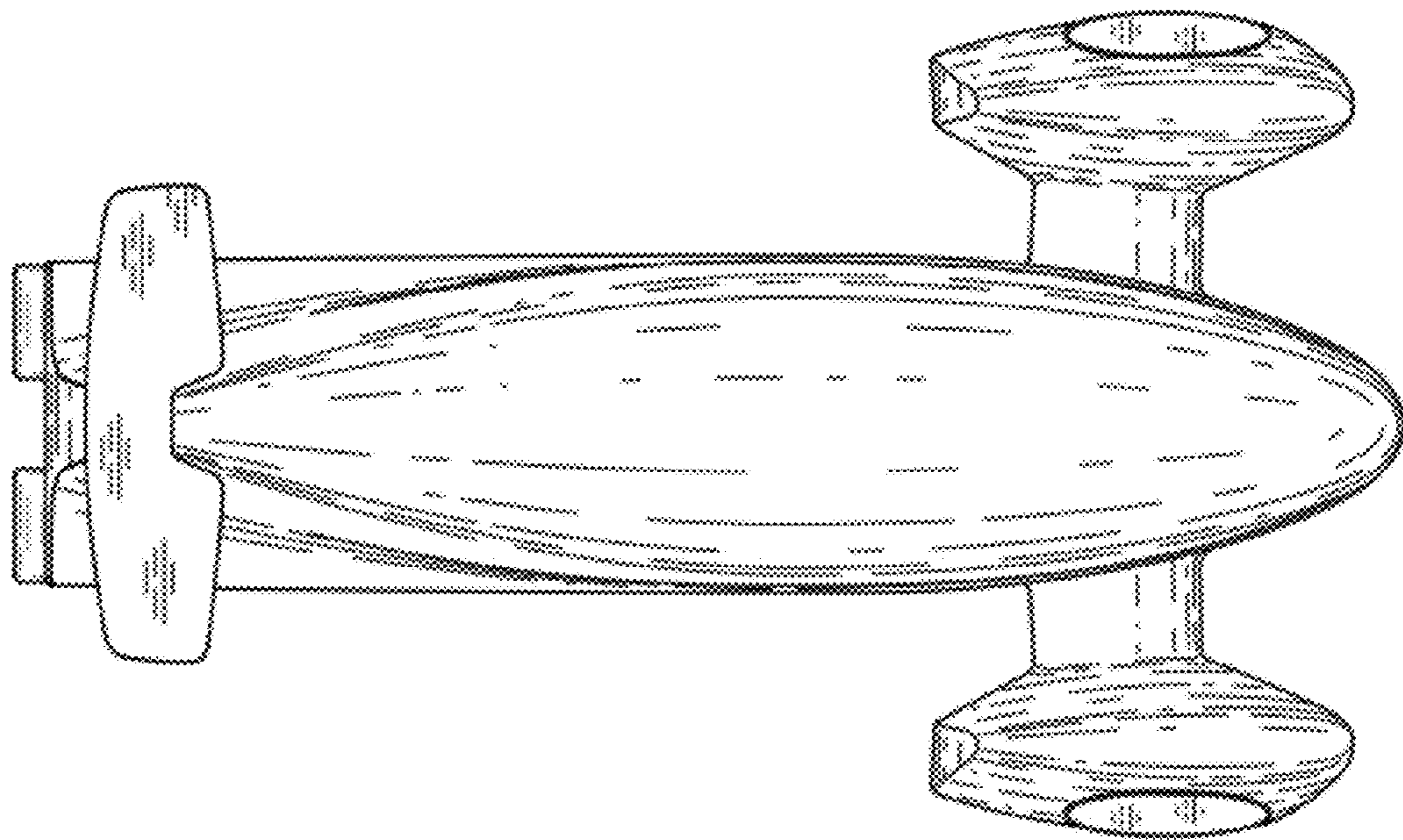


FIG. 5

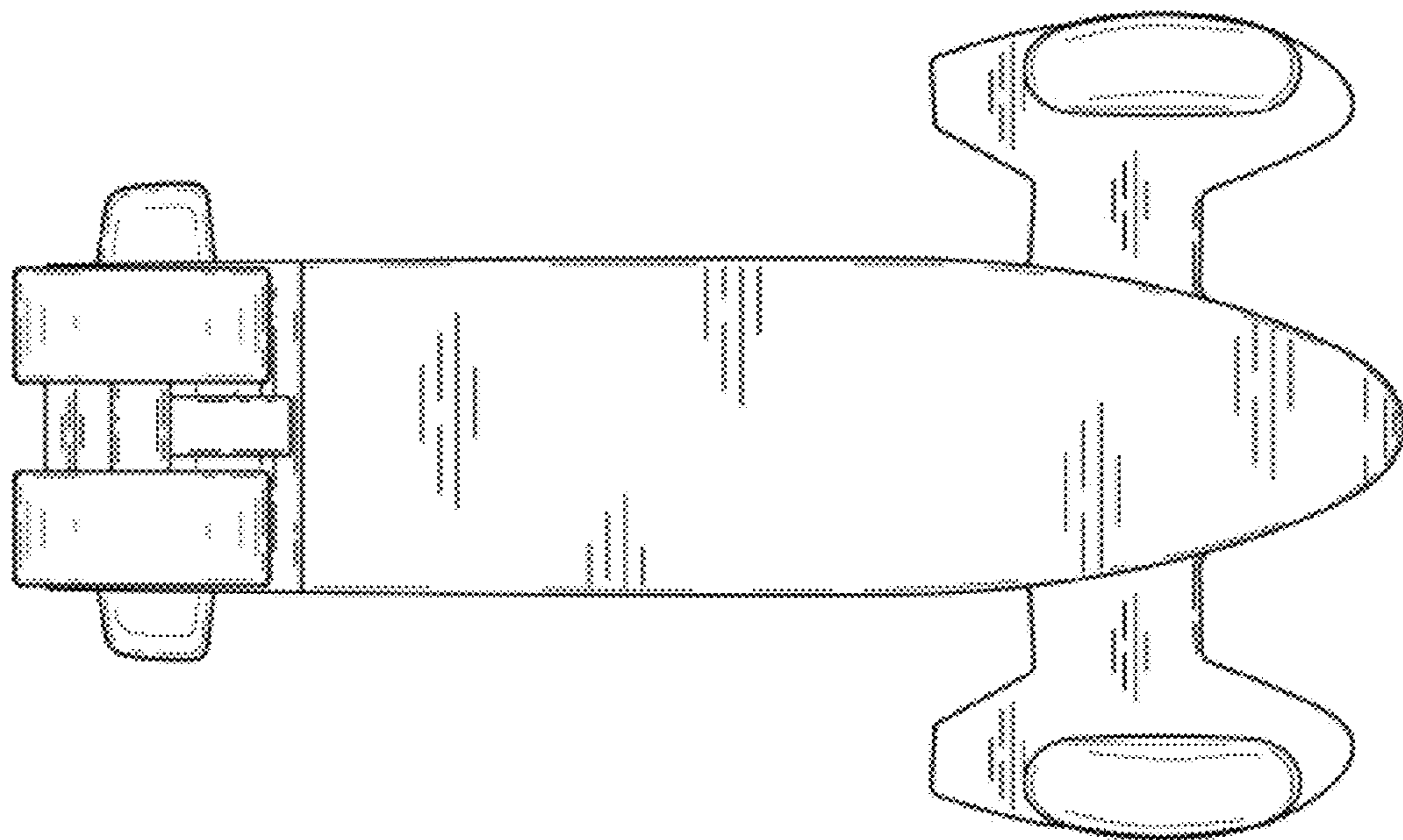


FIG. 6