



US00D666126S

(12) **United States Design Patent**
Pontaoe

(10) **Patent No.:** **US D666,126 S**

(45) **Date of Patent:** **** Aug. 28, 2012**

(54) **BUCKLE**

(75) Inventor: **John S. Pontaoe**, Chicago, IL (US)

(73) Assignee: **Illinois Tool Works Inc.**, Glenview, IL (US)

(**) Term: **14 Years**

(21) Appl. No.: **29/381,194**

(22) Filed: **Dec. 16, 2010**

(51) **LOC (9) Cl.** **02-07**

(52) **U.S. Cl.** **D11/218**

(58) **Field of Classification Search** D11/1-2,
D11/200-201, 206-210, 214-218; 24/163 R,
24/169-171, 173, 177-179, 191, 194-195,
24/197, 200, 614-616, 625
See application file for complete search history.

(56) **References Cited**

U.S. PATENT DOCUMENTS

D471,133 S 3/2003 Pontaoe
D483,294 S * 12/2003 Uehara D11/218
D491,103 S * 6/2004 Uehara et al. D11/218
D563,270 S 3/2008 Zeng

D564,409 S 3/2008 Pontaoe
D595,612 S * 7/2009 Pontaoe D11/218
D610,946 S 3/2010 Harada
D623,556 S 9/2010 Pontaoe
D650,720 S * 12/2011 Park D11/218

* cited by examiner

Primary Examiner — Ralf Seifert

(74) *Attorney, Agent, or Firm* — Mark W. Croll; Paul F. Donovan

(57) **CLAIM**

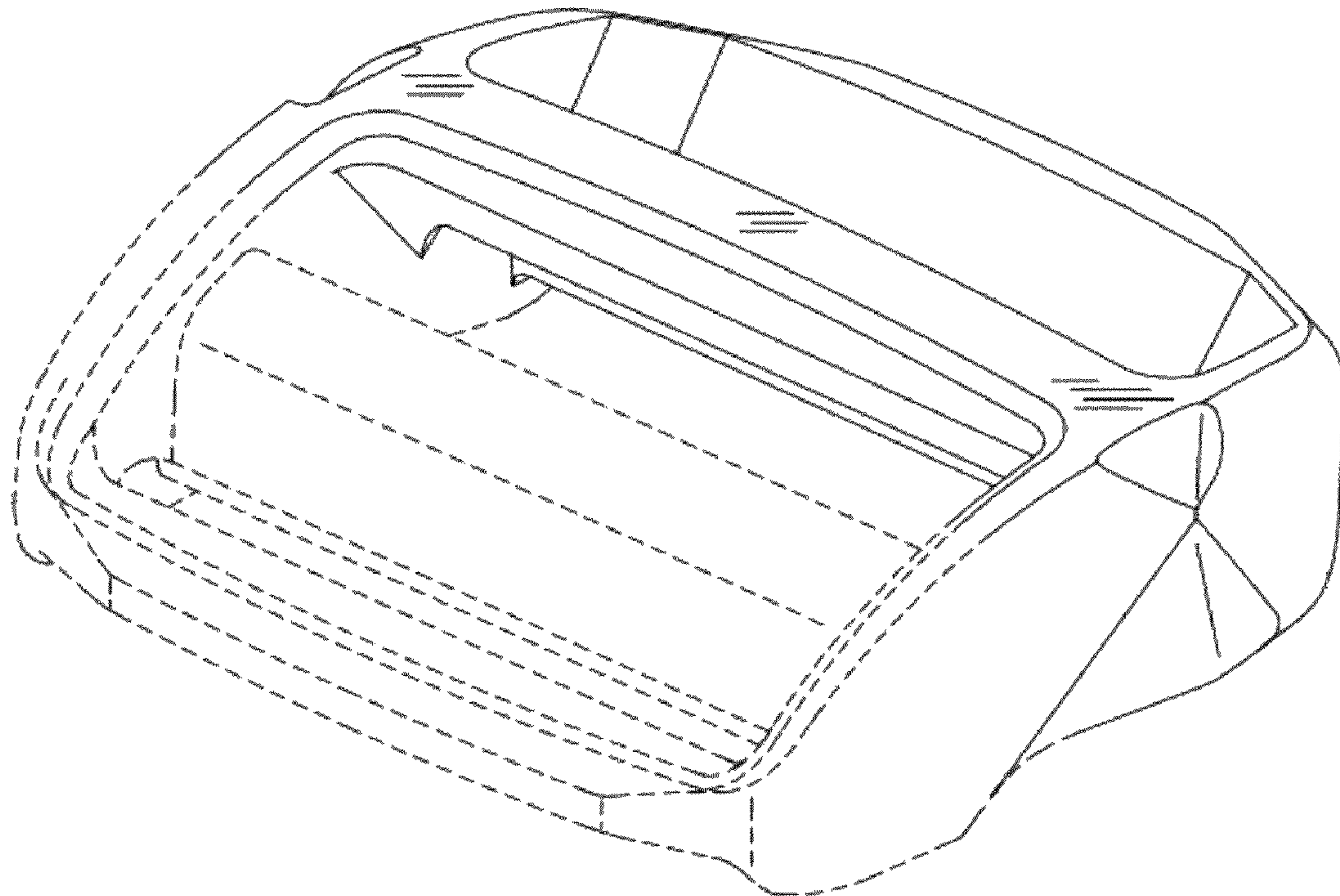
The ornamental design for a buckle, as shown and described.

DESCRIPTION

FIG. 1 is a perspective view of the buckle showing the new design;
FIG. 2 is another perspective view thereof;
FIG. 3 is a top view thereof;
FIG. 4 is a bottom view thereof;
FIG. 5 is a front view thereof;
FIG. 6 is a back view thereof; and,
FIG. 7 is a side view thereof.

The broken line portions of the disclosure are for illustrative purposes only and form no part of the claimed design.

1 Claim, 4 Drawing Sheets



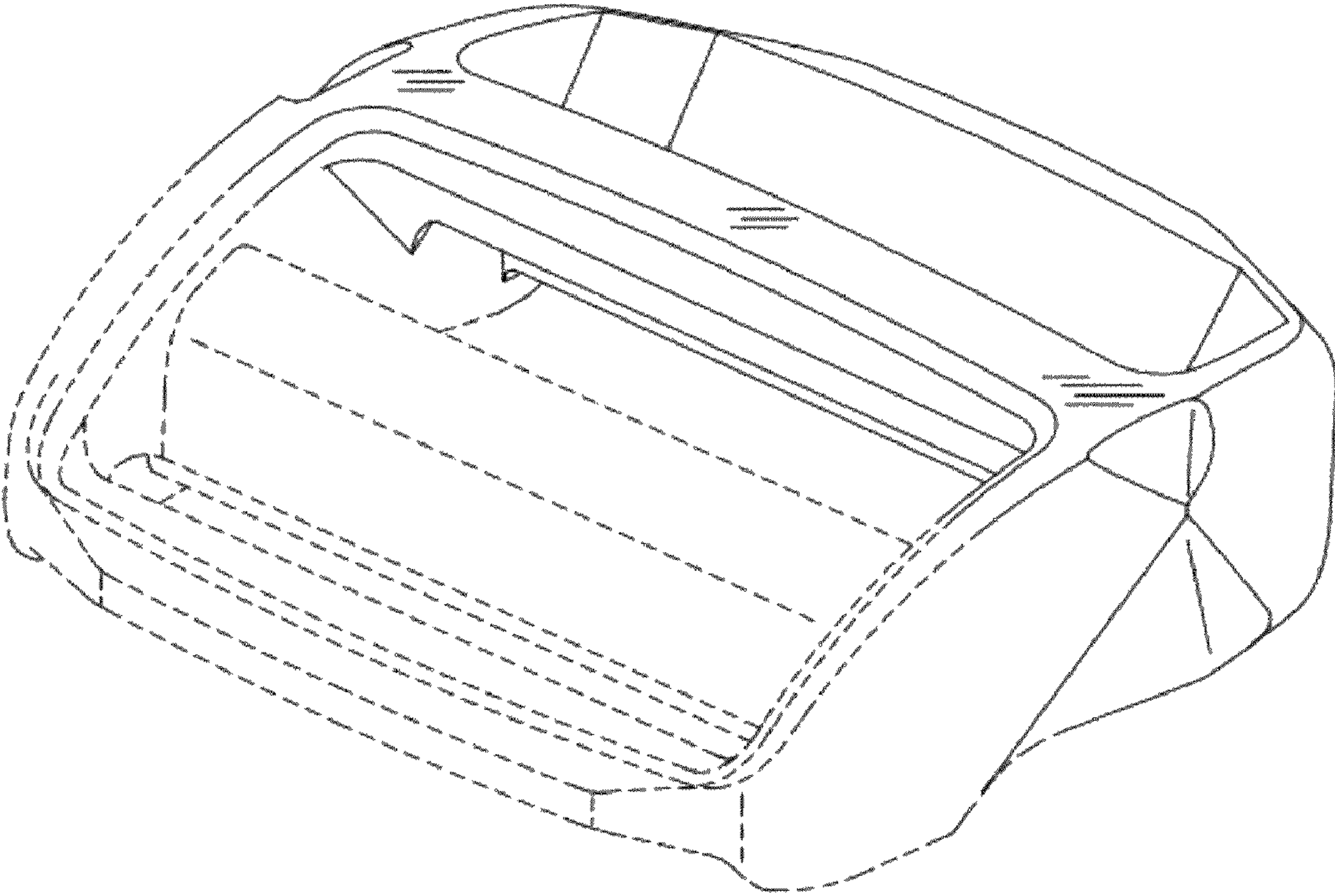


FIG. 1

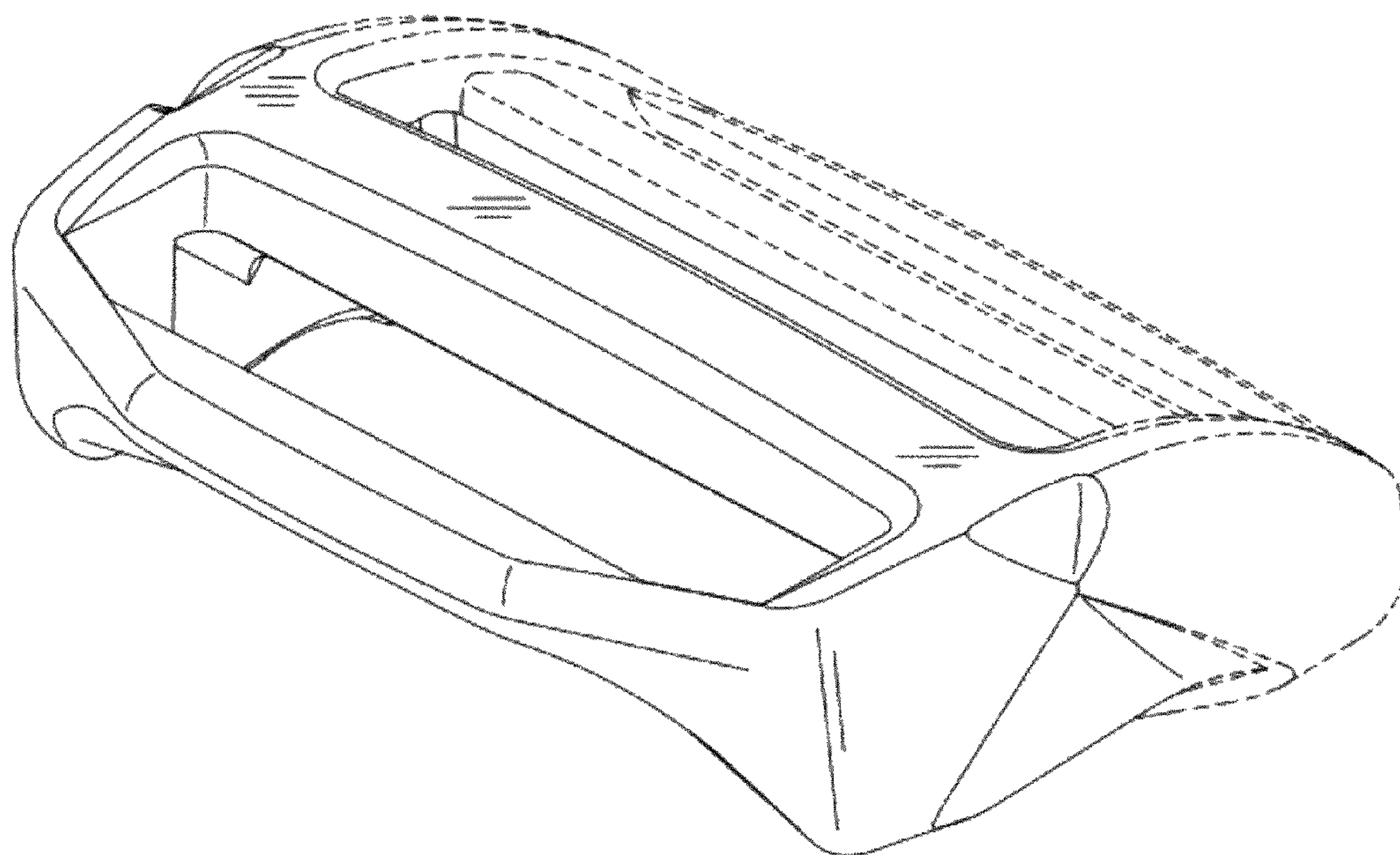


FIG. 2

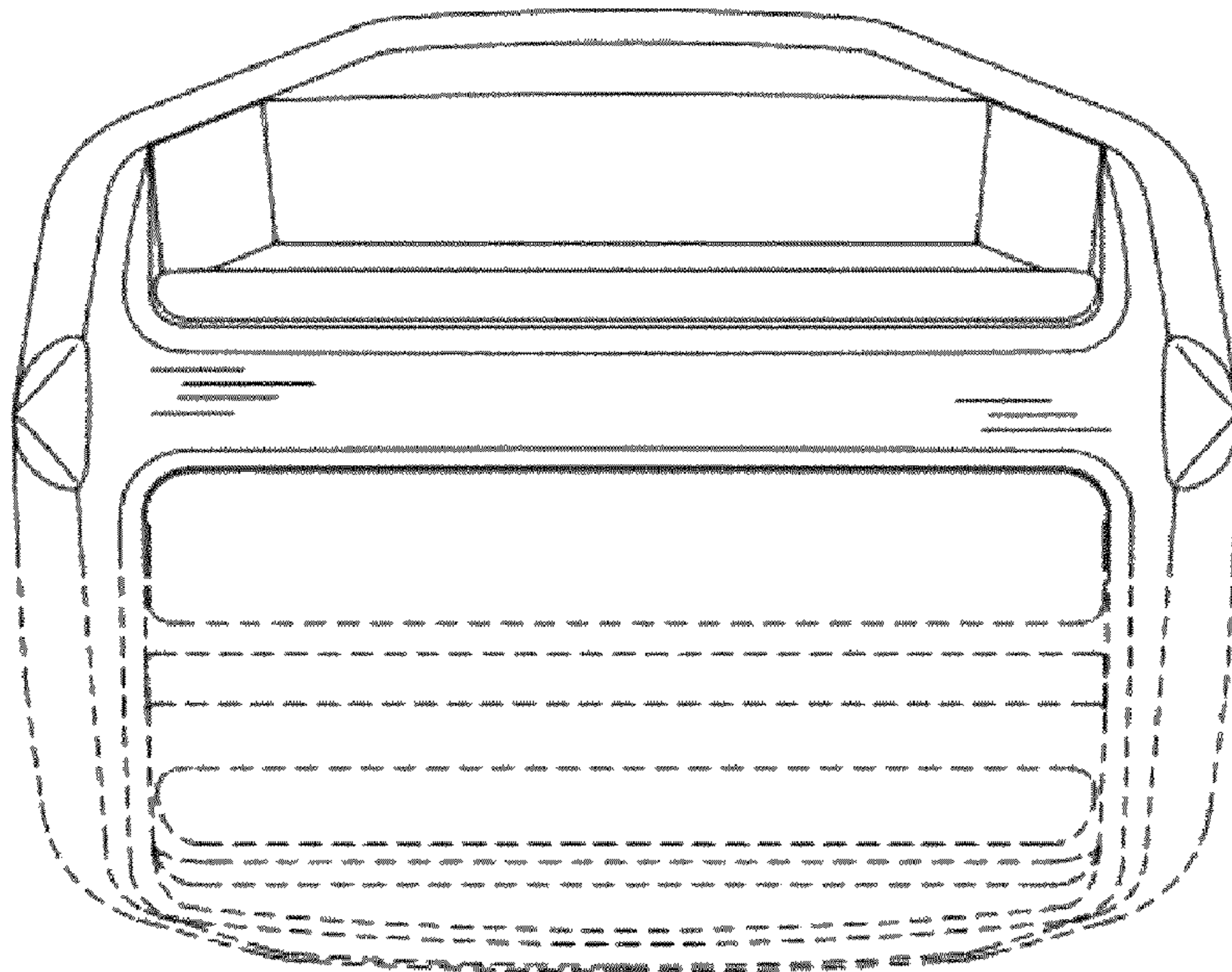


FIG. 3

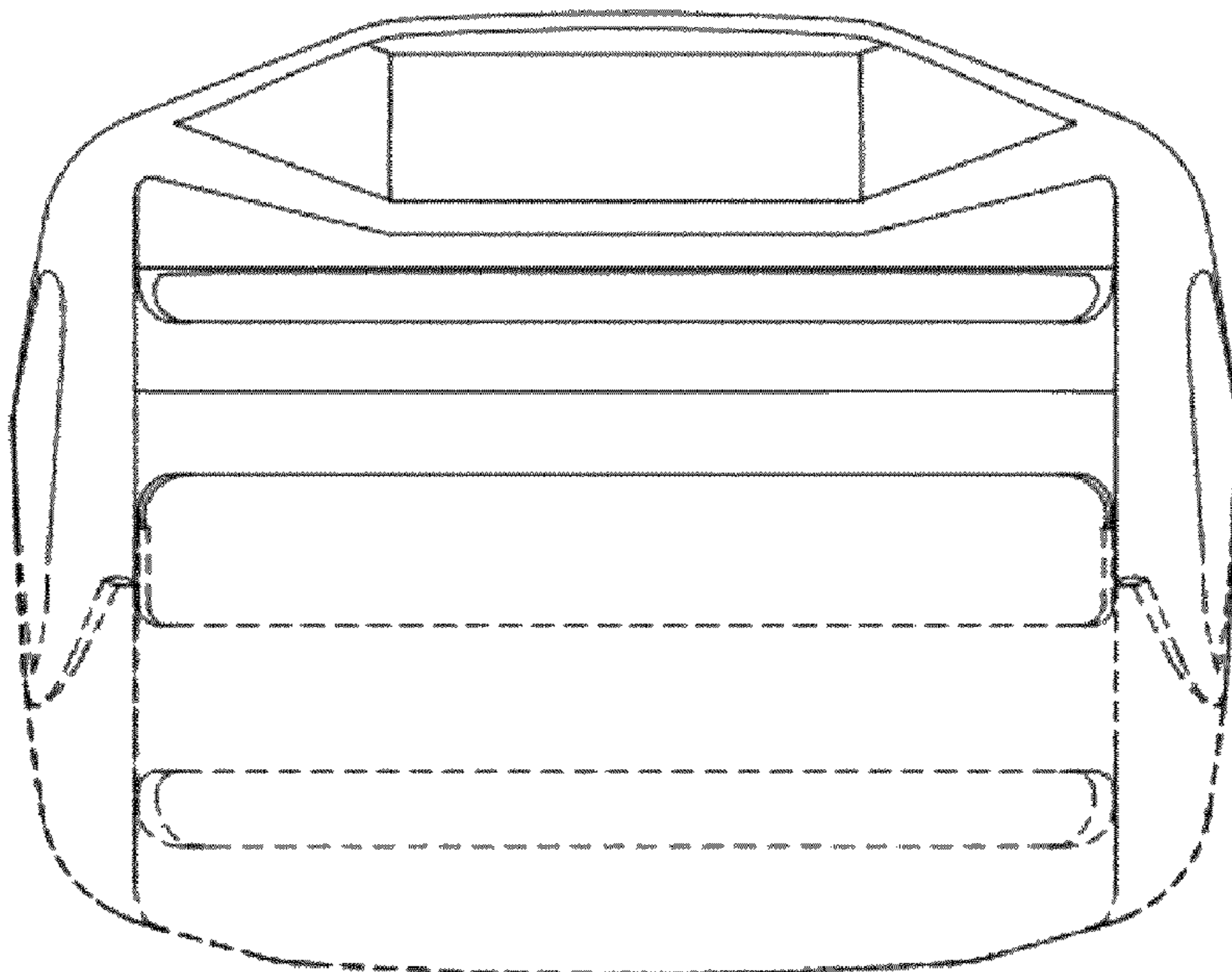


FIG. 4

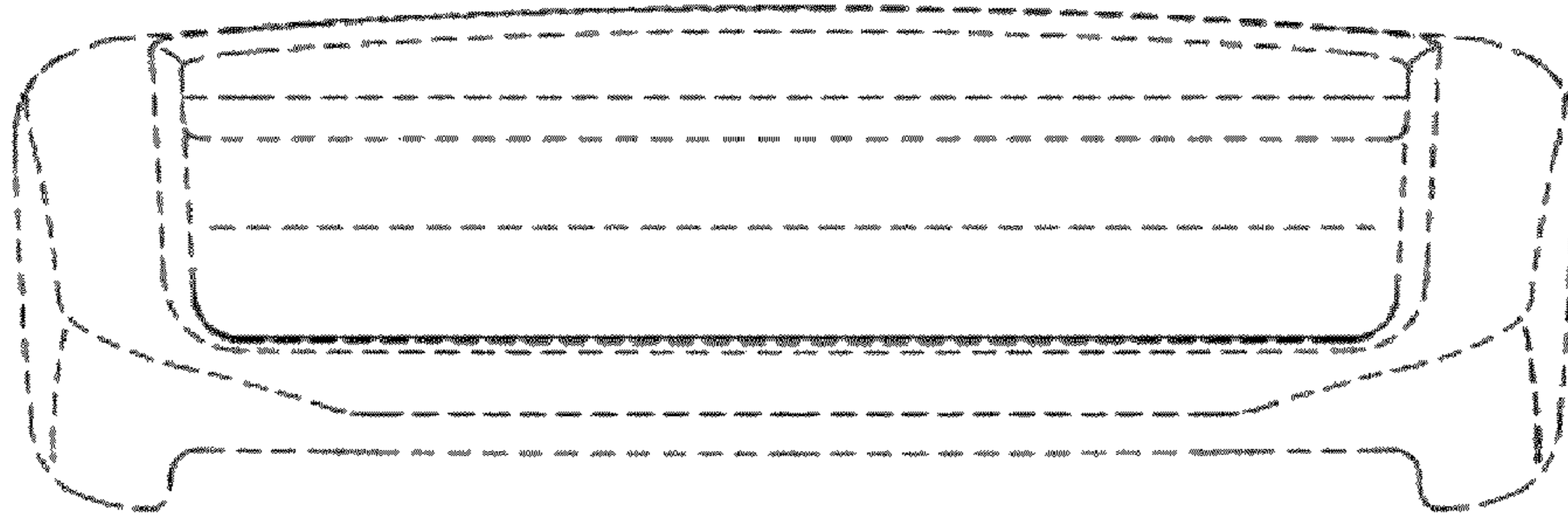


FIG. 5

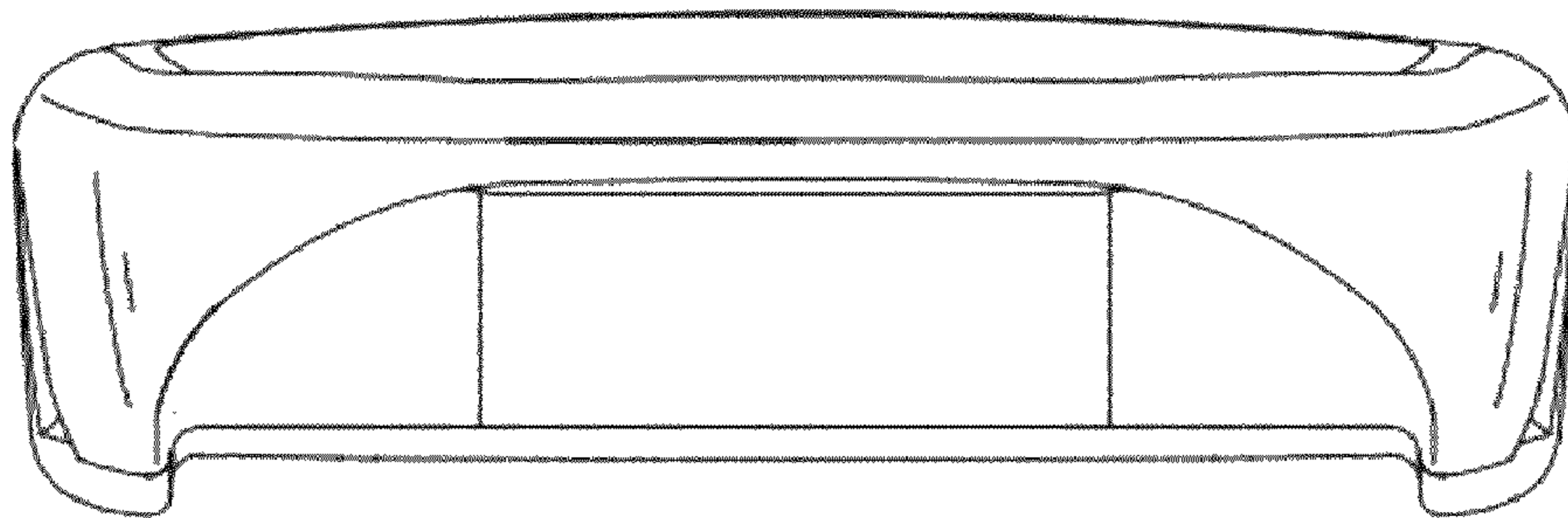


FIG. 6

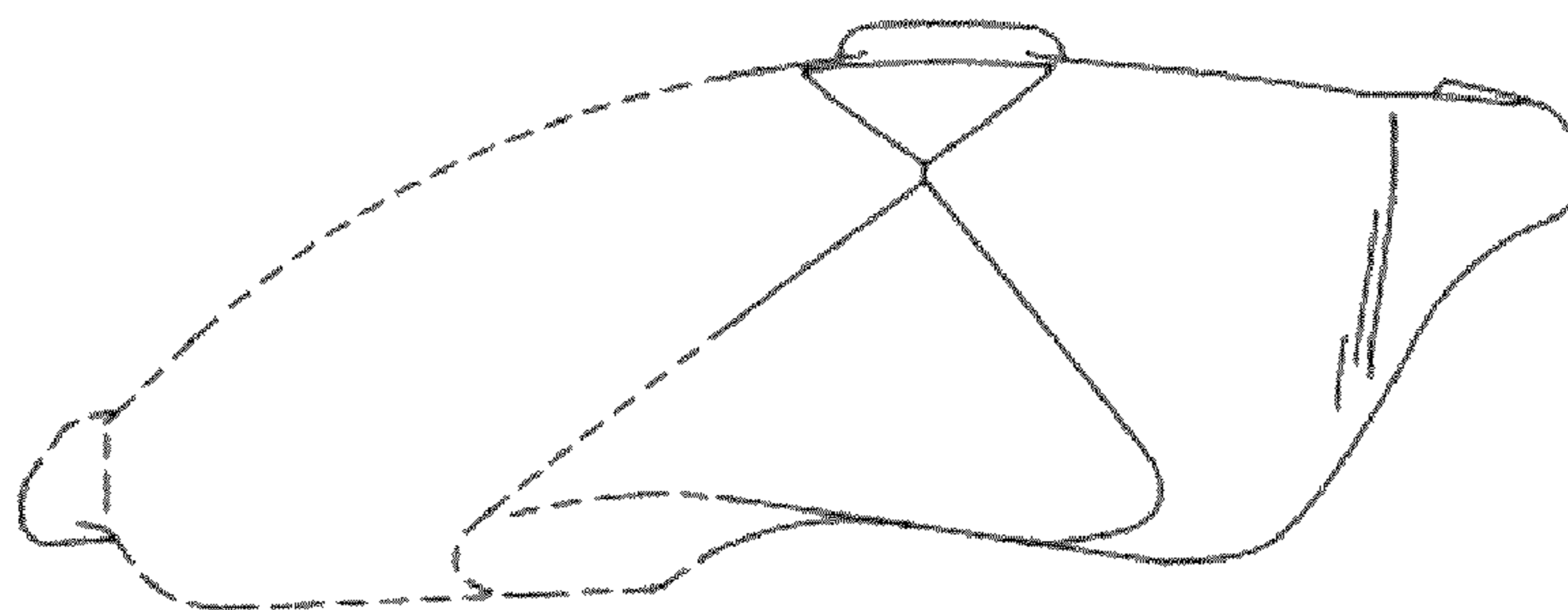


FIG. 7