



US00D666123S

(12) **United States Design Patent**  
**Sichello**

(10) **Patent No.:** **US D666,123 S**

(45) **Date of Patent:** **\*\* Aug. 28, 2012**

(54) **PLANT TRAY**

(75) Inventor: **Chad Sichello**, Vancouver (CA)

(73) Assignee: **GSKY Plant Systems, Inc.**, Vancouver, BC (CA)

(\*\*) Term: **14 Years**

(21) Appl. No.: **29/398,308**

(22) Filed: **Jul. 28, 2011**

(30) **Foreign Application Priority Data**

Jan. 28, 2011 (CA) ..... 138996

(51) **LOC (9) Cl.** ..... **11-02**

(52) **U.S. Cl.** ..... **D11/143**

(58) **Field of Classification Search** ..... D6/403-405,  
D6/556-558; D8/1; D11/143-156, 164;  
D25/1; D26/9-11, 16, 19; D34/1, 2, 4-6;  
D99/5, 19; 47/17, 32.4, 32.5, 33, 39, 41.01,  
47/41.1, 41.11-41.15, 44-47, 65, 65.5, 65.9,  
47/66.1, 66.2, 66.6, 66.7, 67-71

See application file for complete search history.

(56) **References Cited**

**U.S. PATENT DOCUMENTS**

2,024,546 A \* 12/1935 Starkey ..... 47/47

D123,786 S \* 12/1940 Reens ..... D11/156  
D166,419 S \* 4/1952 Sandkuhle ..... D11/156  
D256,683 S \* 9/1980 Merritt ..... D11/156  
4,258,523 A \* 3/1981 Waugh ..... 47/47  
D363,576 S \* 10/1995 Brightbill et al. .... D11/156  
D372,547 S \* 8/1996 Sjodin ..... D8/1  
D376,893 S \* 12/1996 Gornet ..... D11/156  
2002/0139047 A1 \* 10/2002 Haddad et al. .... 47/66.1  
2005/0102893 A1 \* 5/2005 O'Connor ..... 47/33  
2005/0246956 A1 \* 11/2005 Gonzalez Miguez ..... 47/66.1

\* cited by examiner

*Primary Examiner* — Garth Rademaker

(74) *Attorney, Agent, or Firm* — Schwabe, Williamson & Wyatt

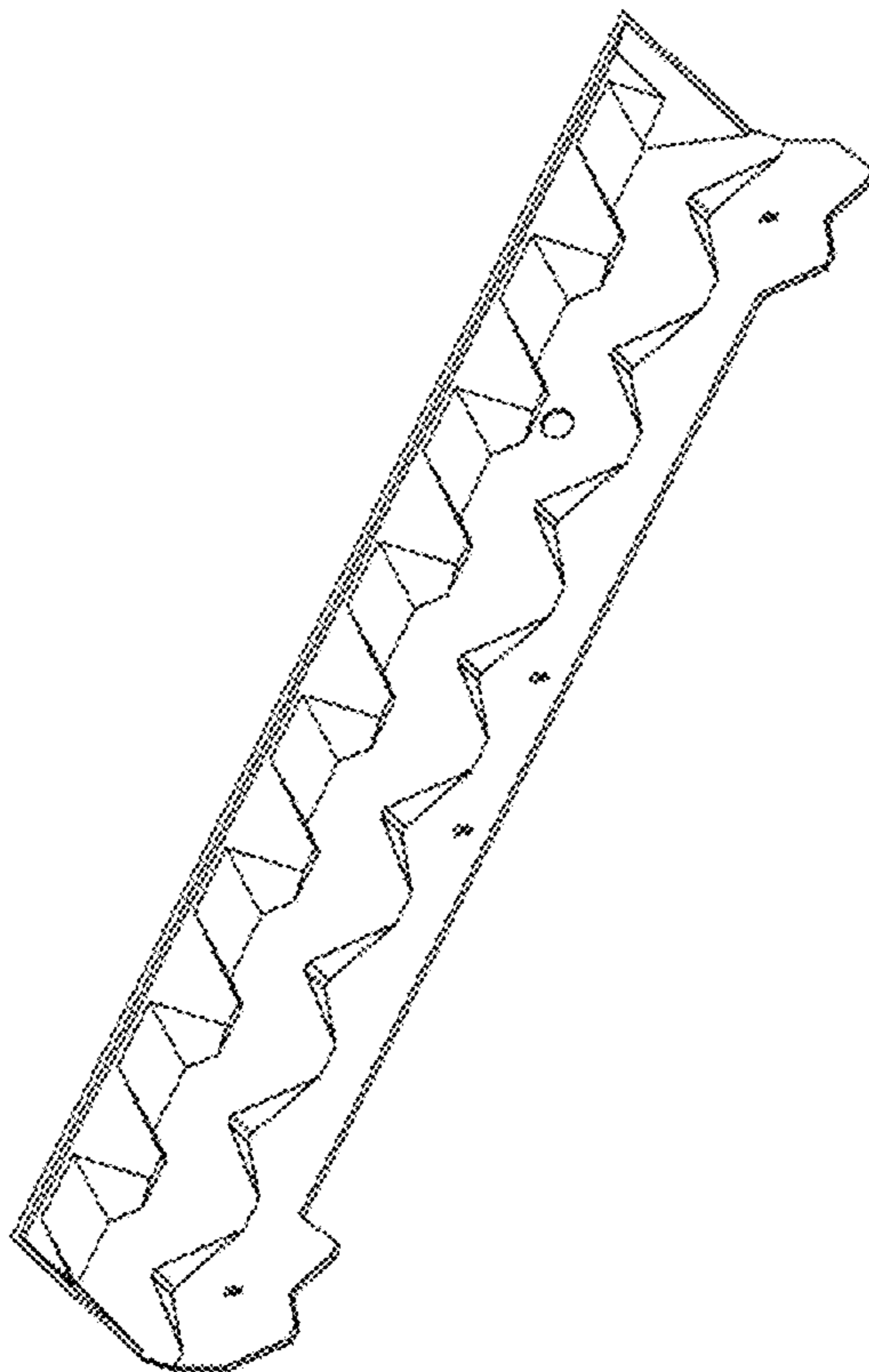
(57) **CLAIM**

The ornamental design for a plant tray, as shown and described.

**DESCRIPTION**

FIG. 1 is a perspective view of a plant tray;  
FIG. 2 is a right side view of the plant tray of FIG. 1;  
FIG. 3 is a left side view of the plant tray of FIG. 1;  
FIG. 4 is a top plan view of the plant tray of FIG. 1;  
FIG. 5 is a bottom plan view of the plant tray of FIG. 1;  
FIG. 6 is an end view of the plant tray of FIG. 1; and,  
FIG. 7 is a second perspective view of the plant tray of FIG. 1.

**1 Claim, 7 Drawing Sheets**



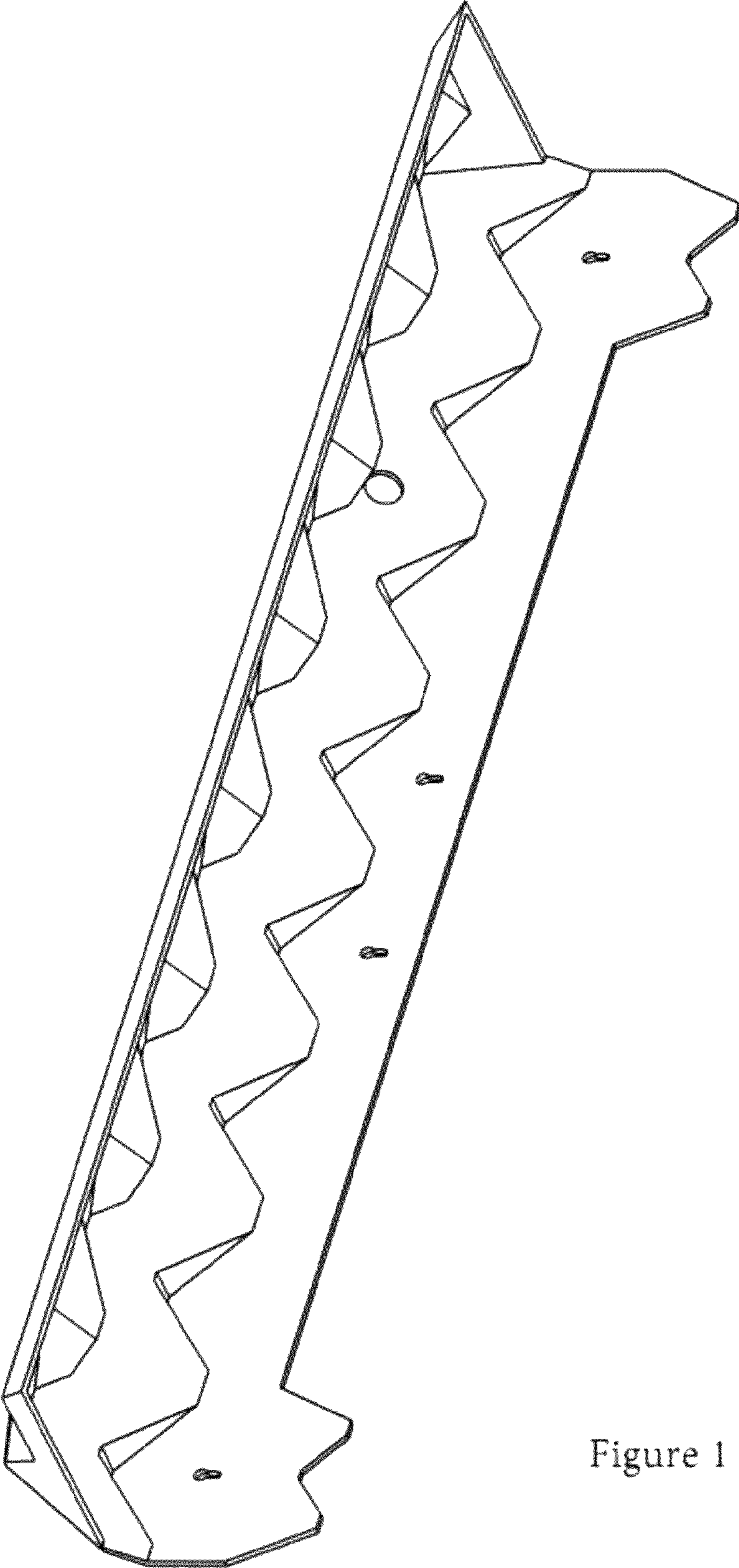


Figure 1

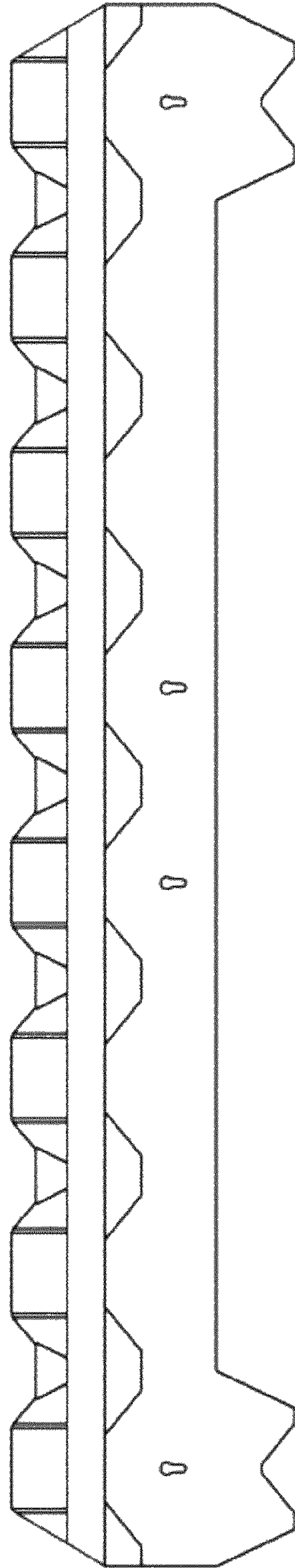


Figure 2

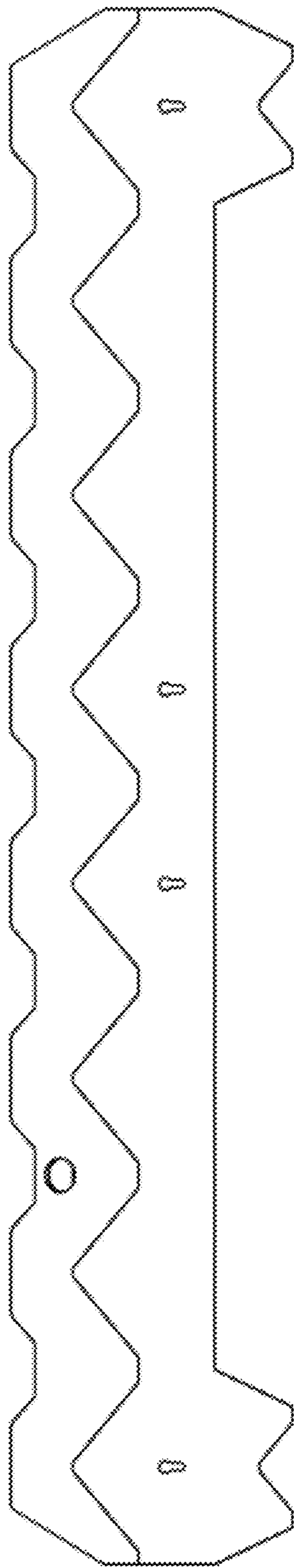


Figure 3

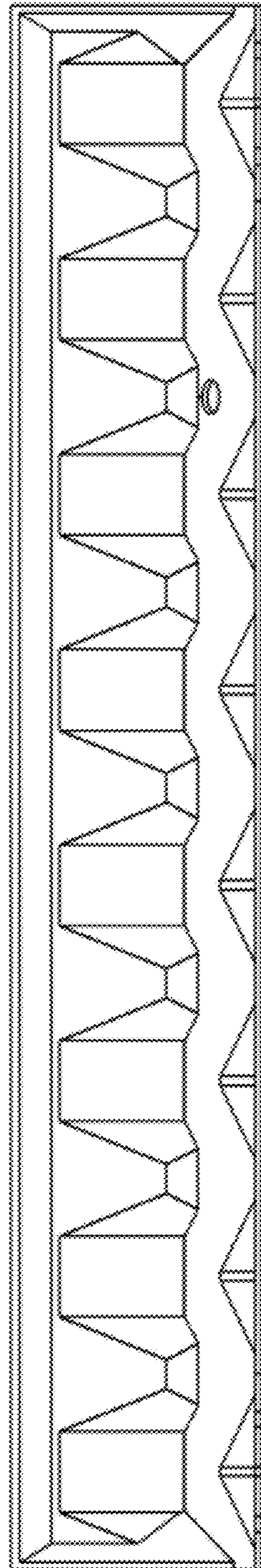


Figure 4

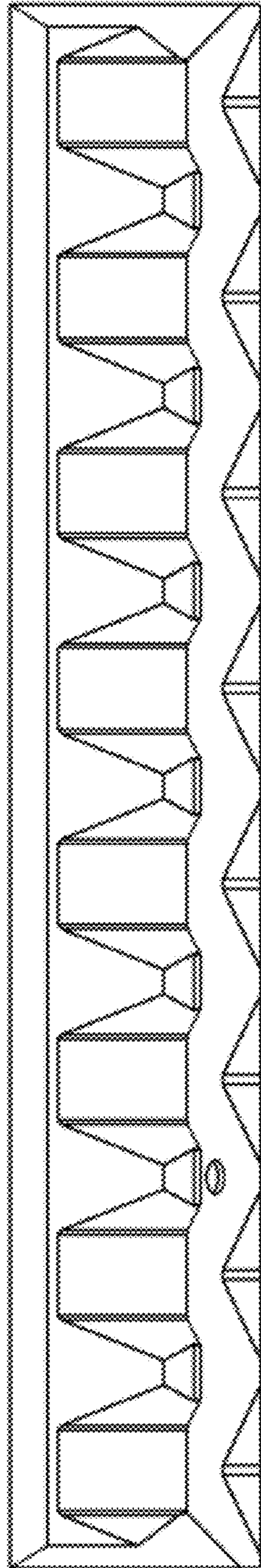


Figure 5

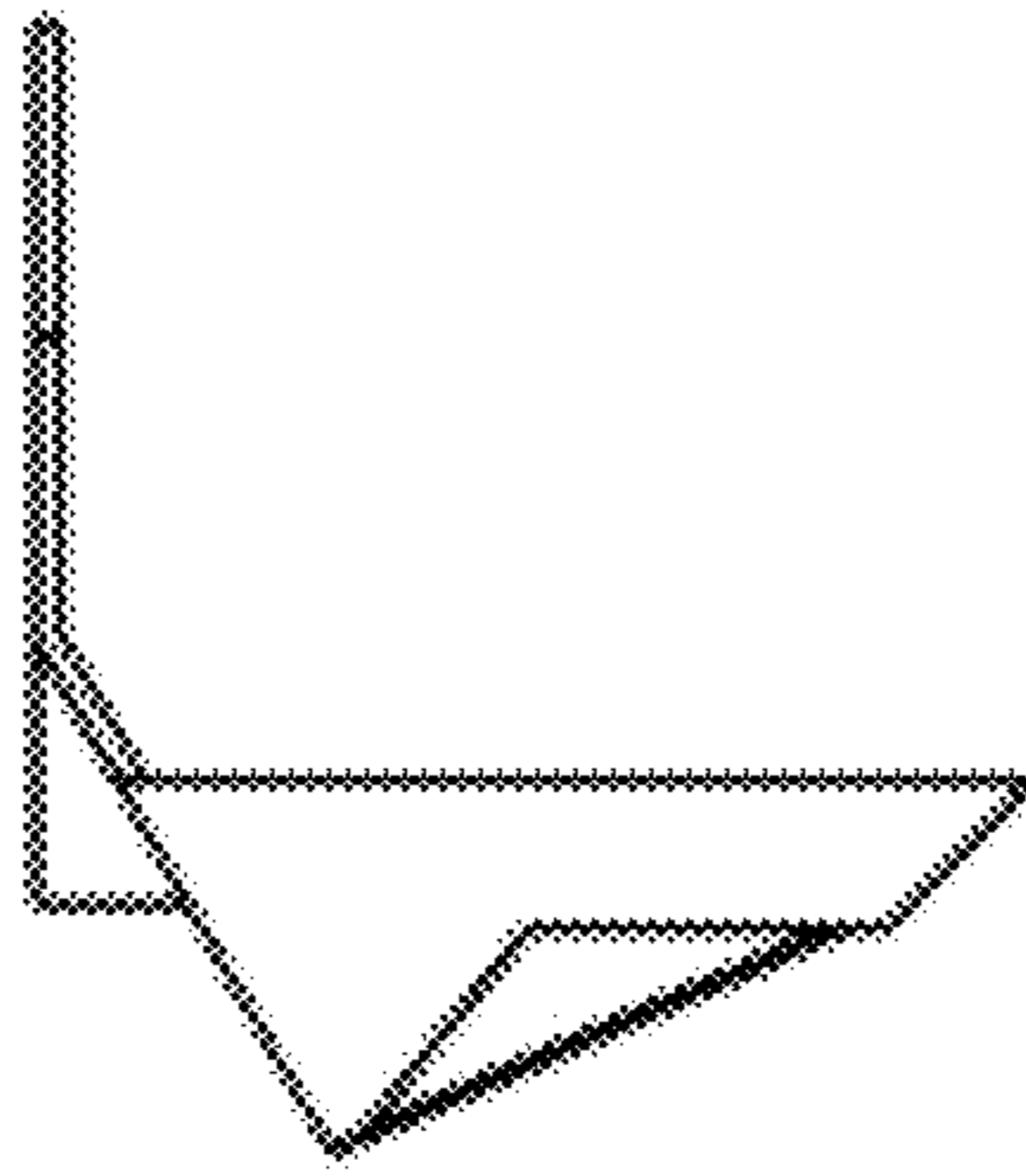


Figure 6

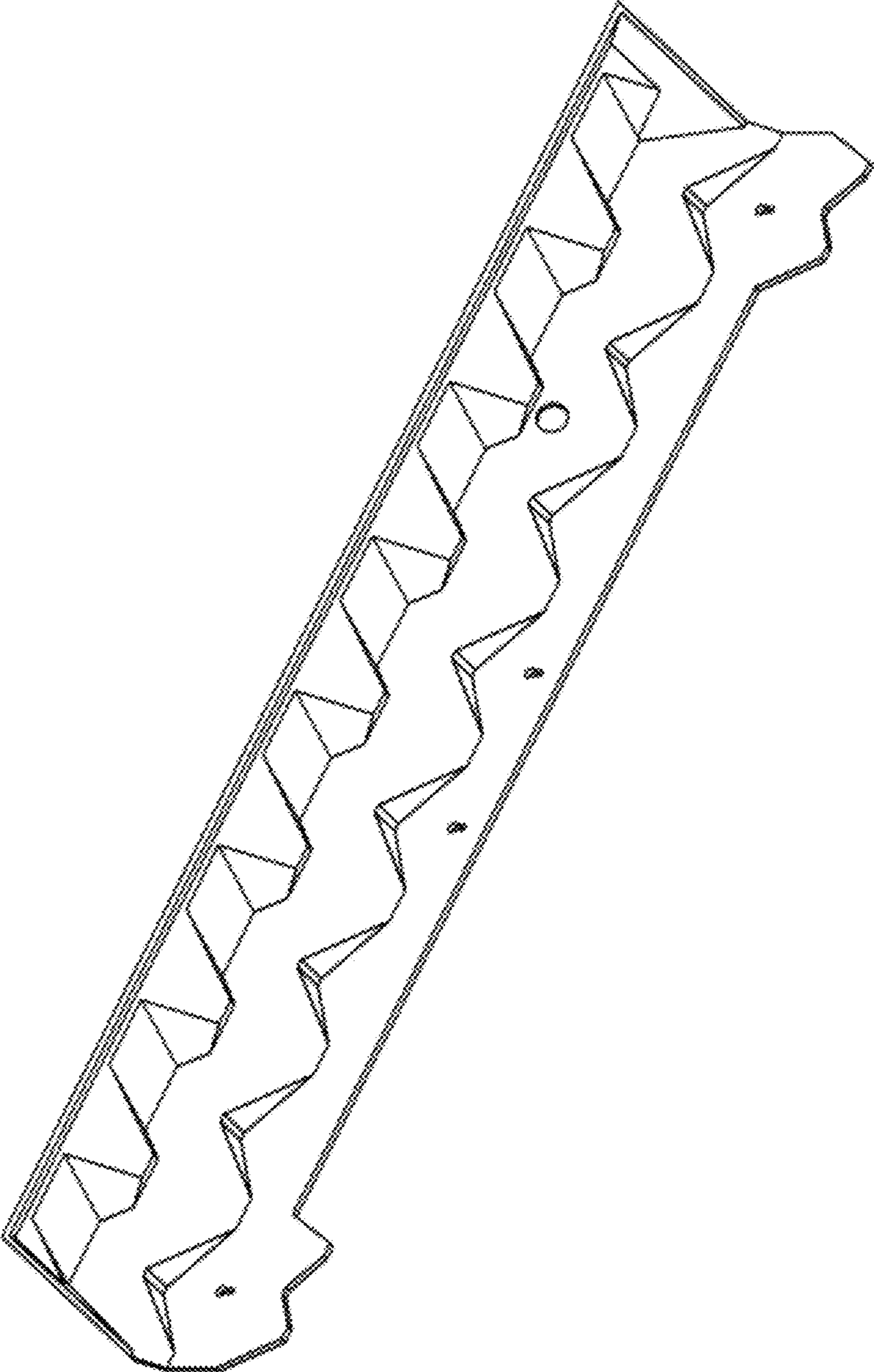


Figure 7