



US00D666117S

(12) **United States Design Patent**  
**Le Bail**

(10) **Patent No.:** **US D666,117 S**

(45) **Date of Patent:** **\*\* Aug. 28, 2012**

(54) **RING**

(75) **Inventor:** **Wilfrid Le Bail**, Paris (FR)

(73) **Assignee:** **Cartier Creation Studio SA**, Geneva (CH)

(\*\*) **Term:** **14 Years**

(21) **Appl. No.:** **29/409,168**

(22) **Filed:** **Dec. 21, 2011**

(30) **Foreign Application Priority Data**

Jun. 22, 2011 (WO) ..... DM/076 428

(51) **LOC (9) Cl.** ..... **11-01**

(52) **U.S. Cl.** ..... **D11/26**

(58) **Field of Classification Search** ..... D11/3,  
D11/26-39; 63/3, 3.1, 3.2, 15, 15.1-15.4,  
63/15.45, 15.5, 15.6, 15.65, 15.7, 26-28  
See application file for complete search history.

(56) **References Cited**

**U.S. PATENT DOCUMENTS**

D291,664 S *	9/1987	Kelman	.....	D11/27
D365,038 S *	12/1995	Merritt	.....	D11/26
D424,967 S *	5/2000	Perrin et al.	.....	D11/28
D494,082 S *	8/2004	Hardy	.....	D11/26
D521,407 S *	5/2006	Allin	.....	D11/29
D558,081 S *	12/2007	Minoli	.....	D11/26

D604,655 S *	11/2009	Marks	.....	D11/34
D604,656 S *	11/2009	Marks	.....	D11/34
D621,737 S *	8/2010	Marks	.....	D11/35
D622,626 S *	8/2010	Ventura	.....	D11/26
D624,450 S *	9/2010	Maier	.....	D11/26
D626,025 S *	10/2010	Iacomucci	.....	D11/26
D635,477 S *	4/2011	Ventura	.....	D11/26
D655,217 S *	3/2012	Thevenaz	.....	D11/26

\* cited by examiner

*Primary Examiner* — Cathron Brooks

*Assistant Examiner* — Melanie Pellegrini

(74) *Attorney, Agent, or Firm* — Clifford W. Browning;  
Krieg DeVault LLP

(57) **CLAIM**

The ornamental design for a ring, as shown and described.

**DESCRIPTION**

FIG. 1 is a front elevational view of the ring of the present invention.

FIG. 2 is a back elevational view of the ring of FIG. 1.

FIG. 3 is a top plan view of the ring of FIG. 1.

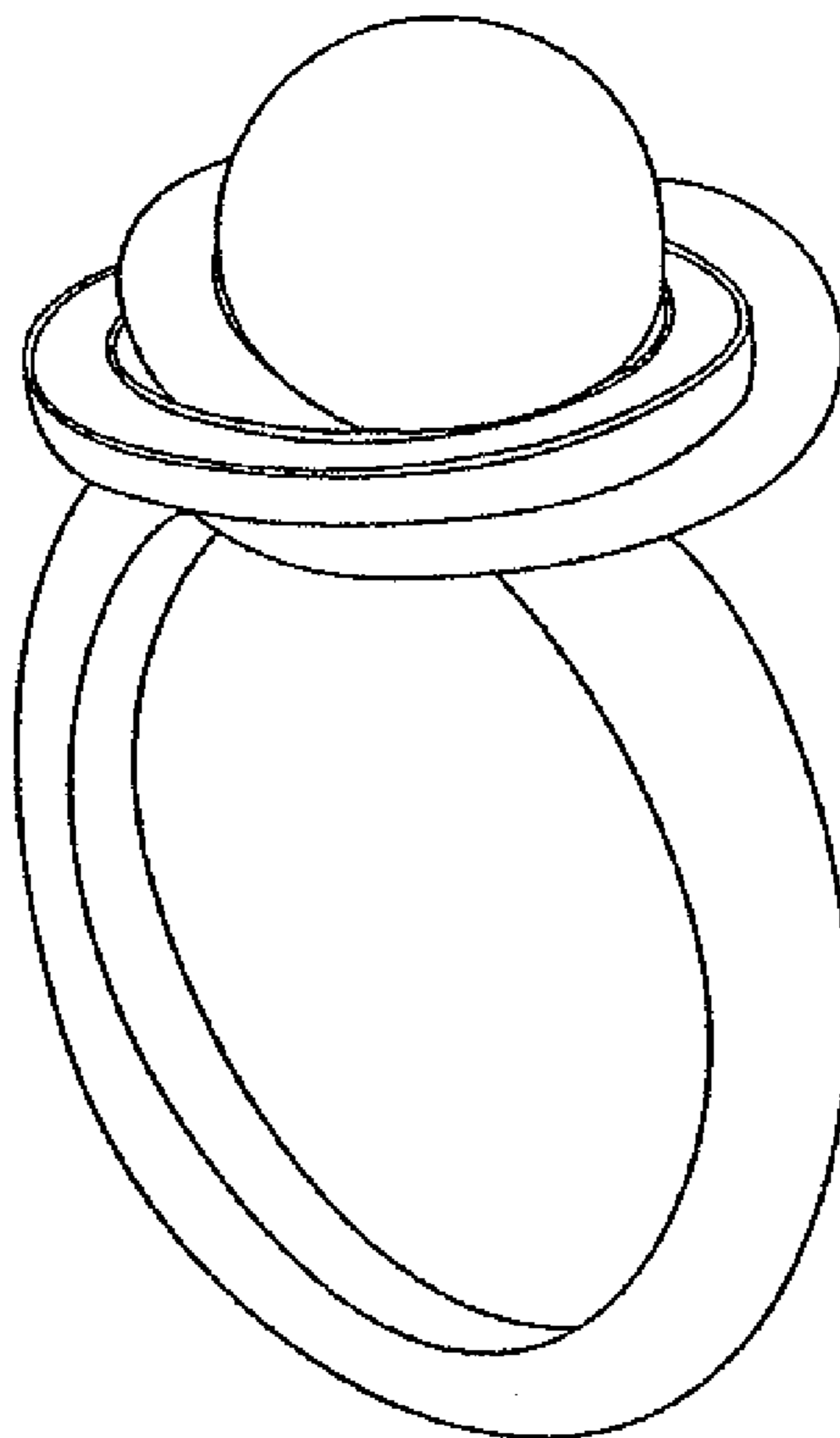
FIG. 4 is a bottom plan view of the ring of FIG. 1.

FIG. 5 is a right side elevational view of the ring of FIG. 1.

FIG. 6 is a left side elevational view of the ring of FIG. 2; and,

FIG. 7 is a top and left side perspective view of the ring of FIG. 1.

**1 Claim, 2 Drawing Sheets**



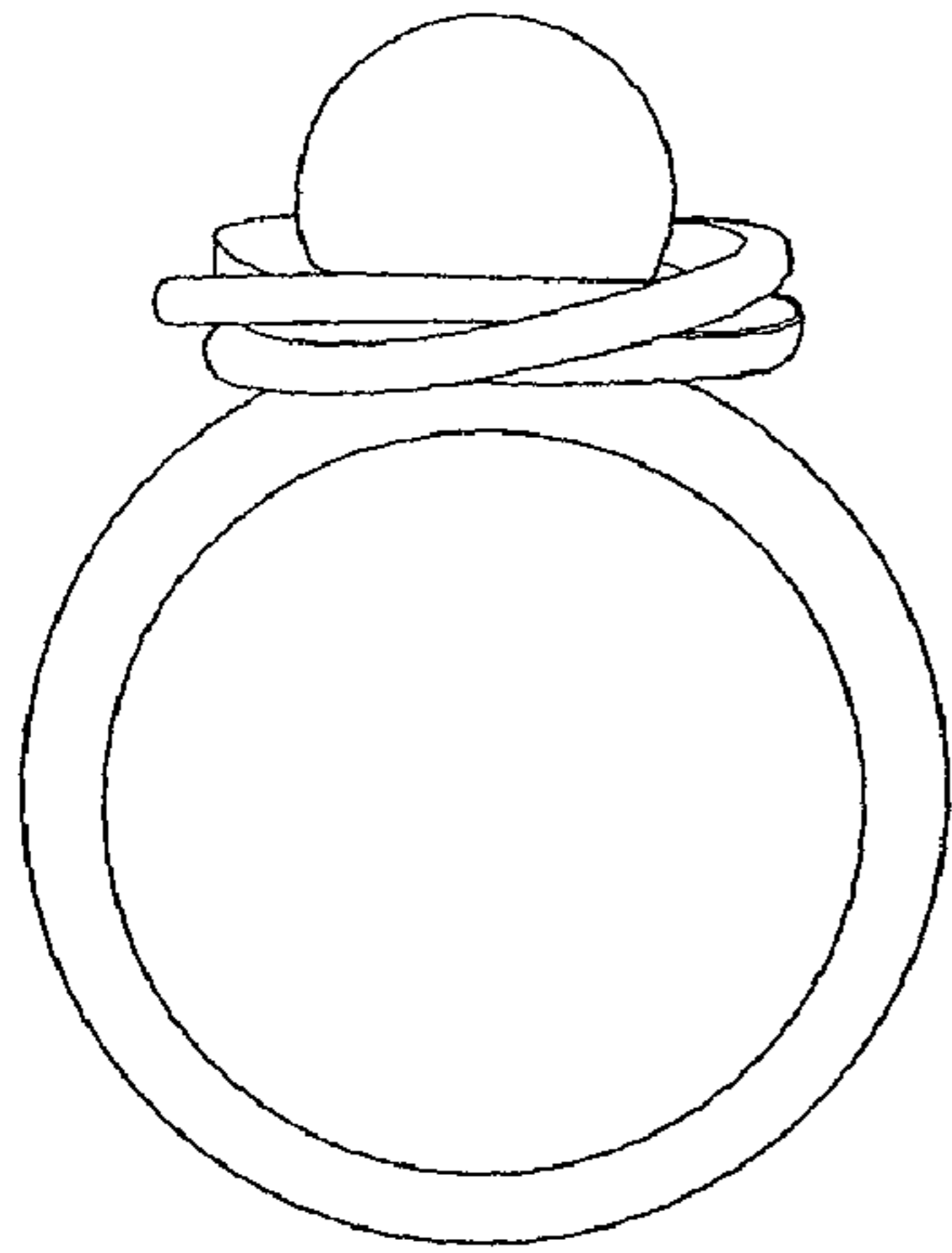


FIG. 1

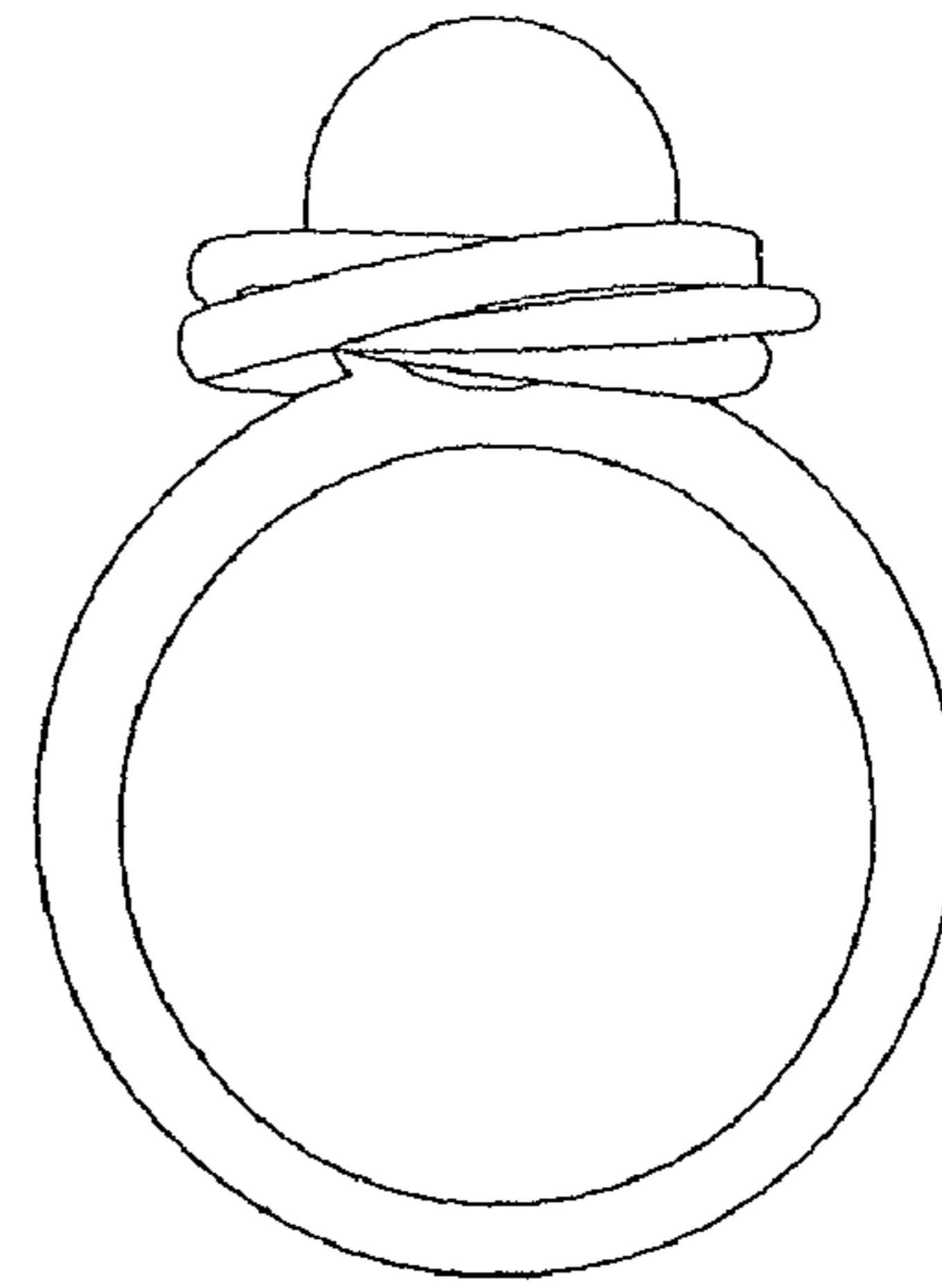


FIG. 2

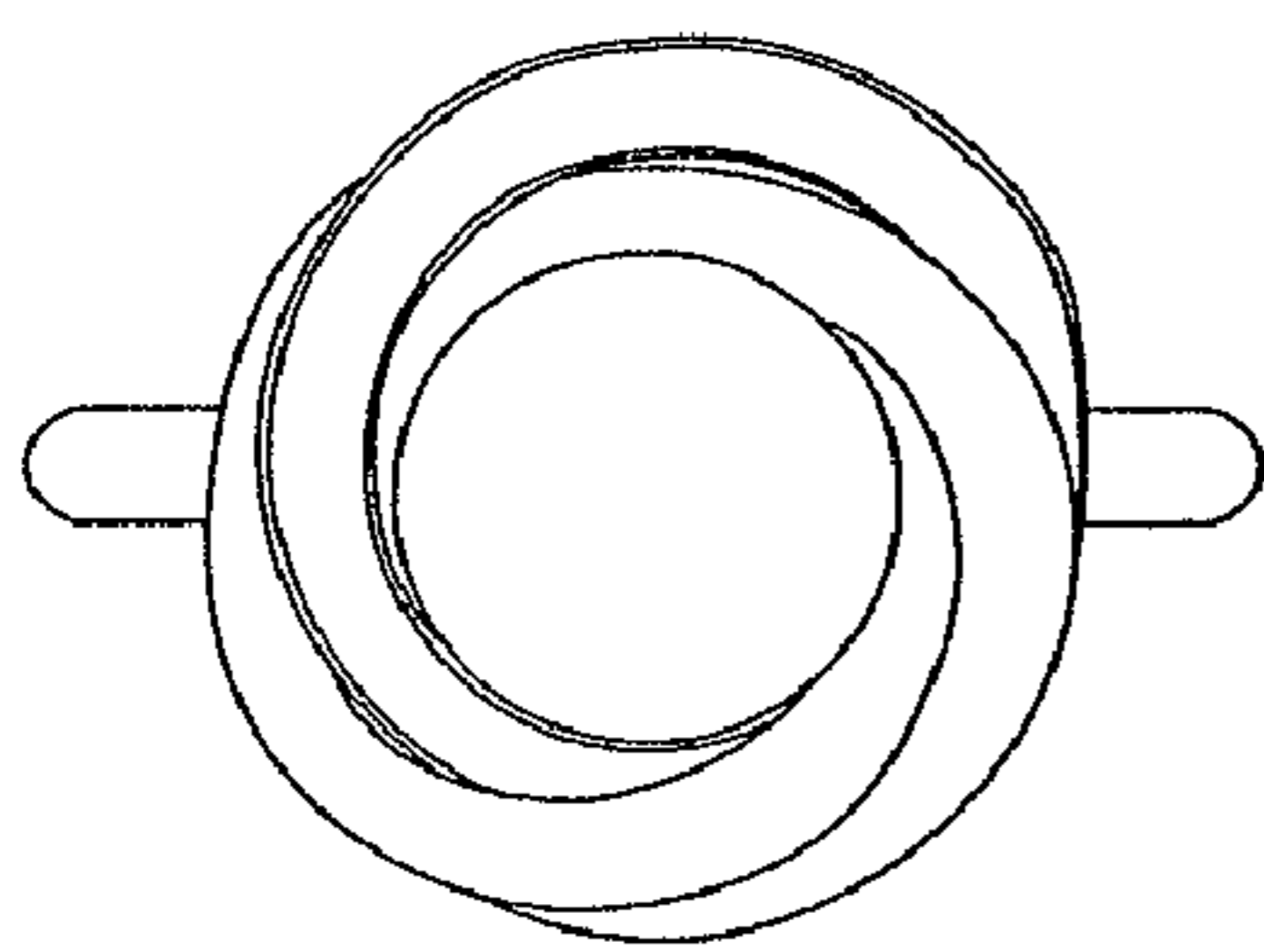


FIG. 3

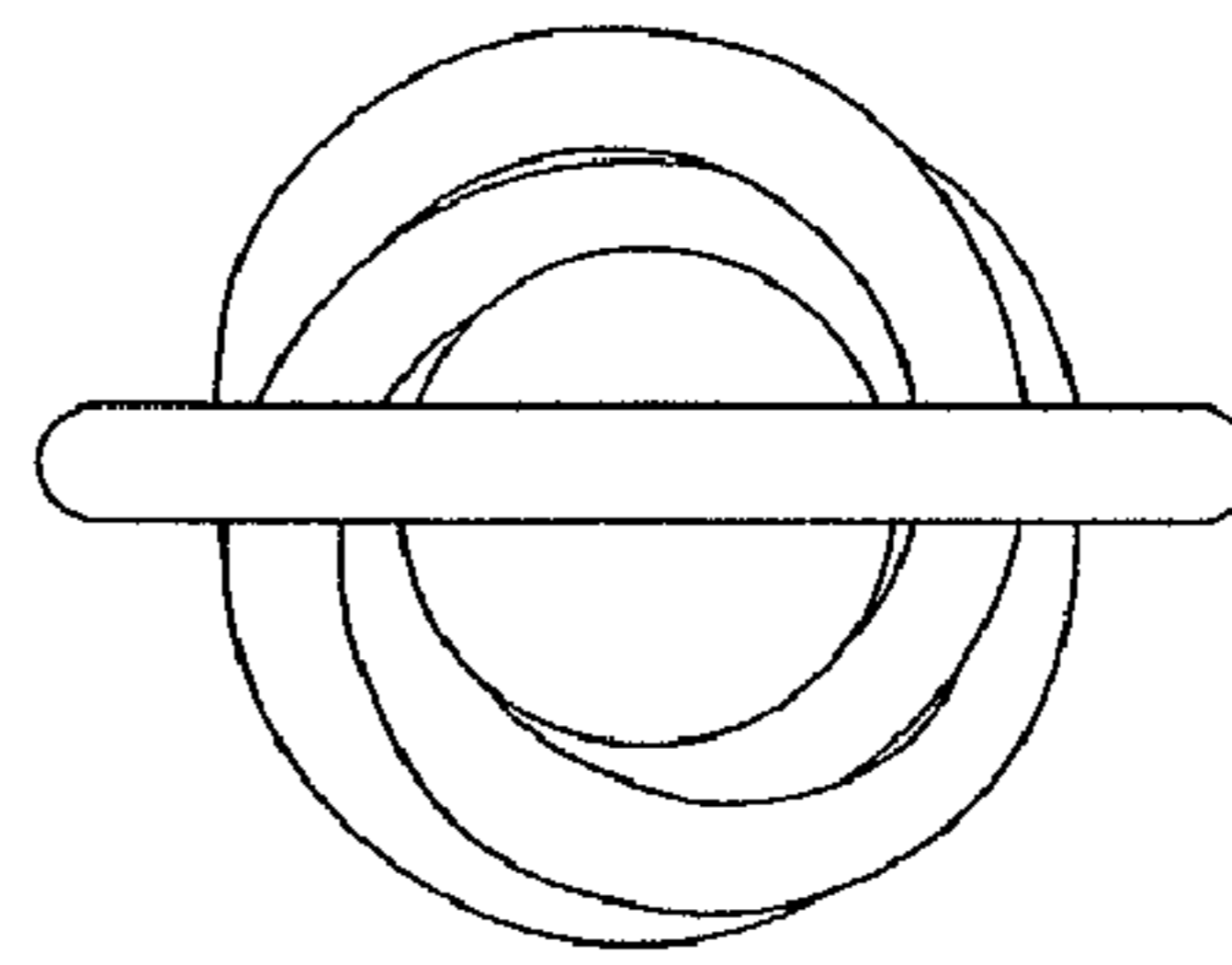


FIG. 4

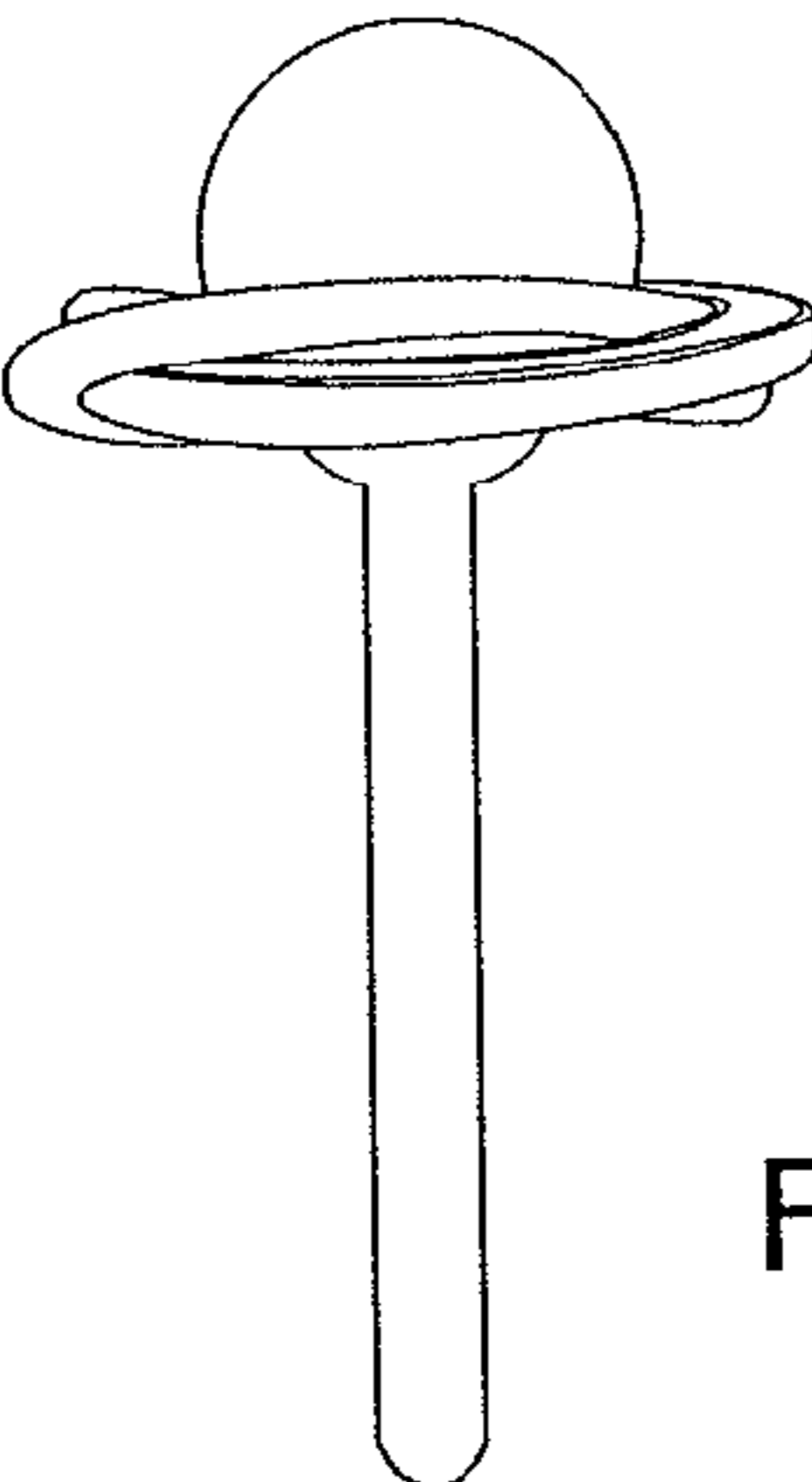


FIG. 5

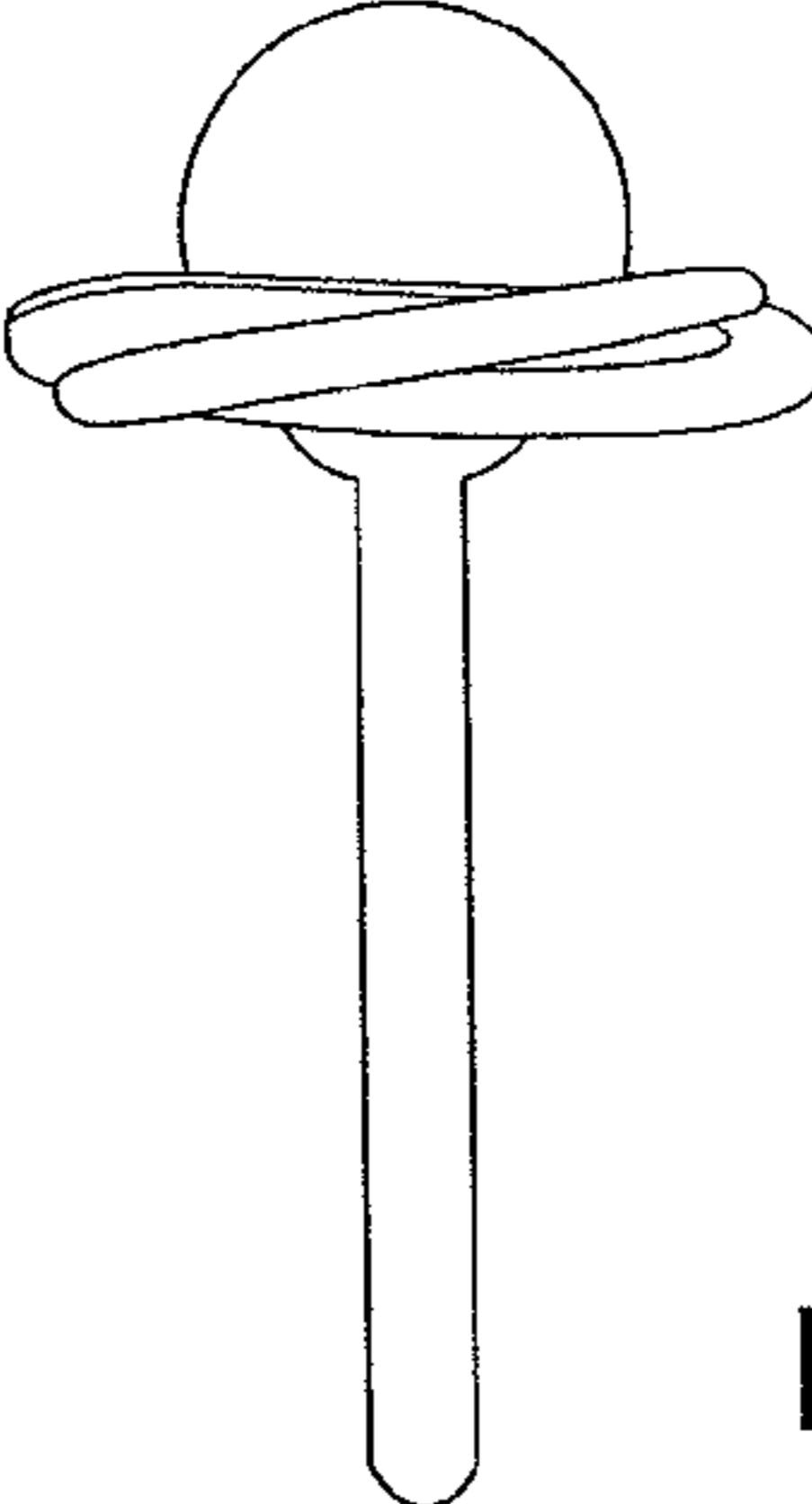


FIG. 6

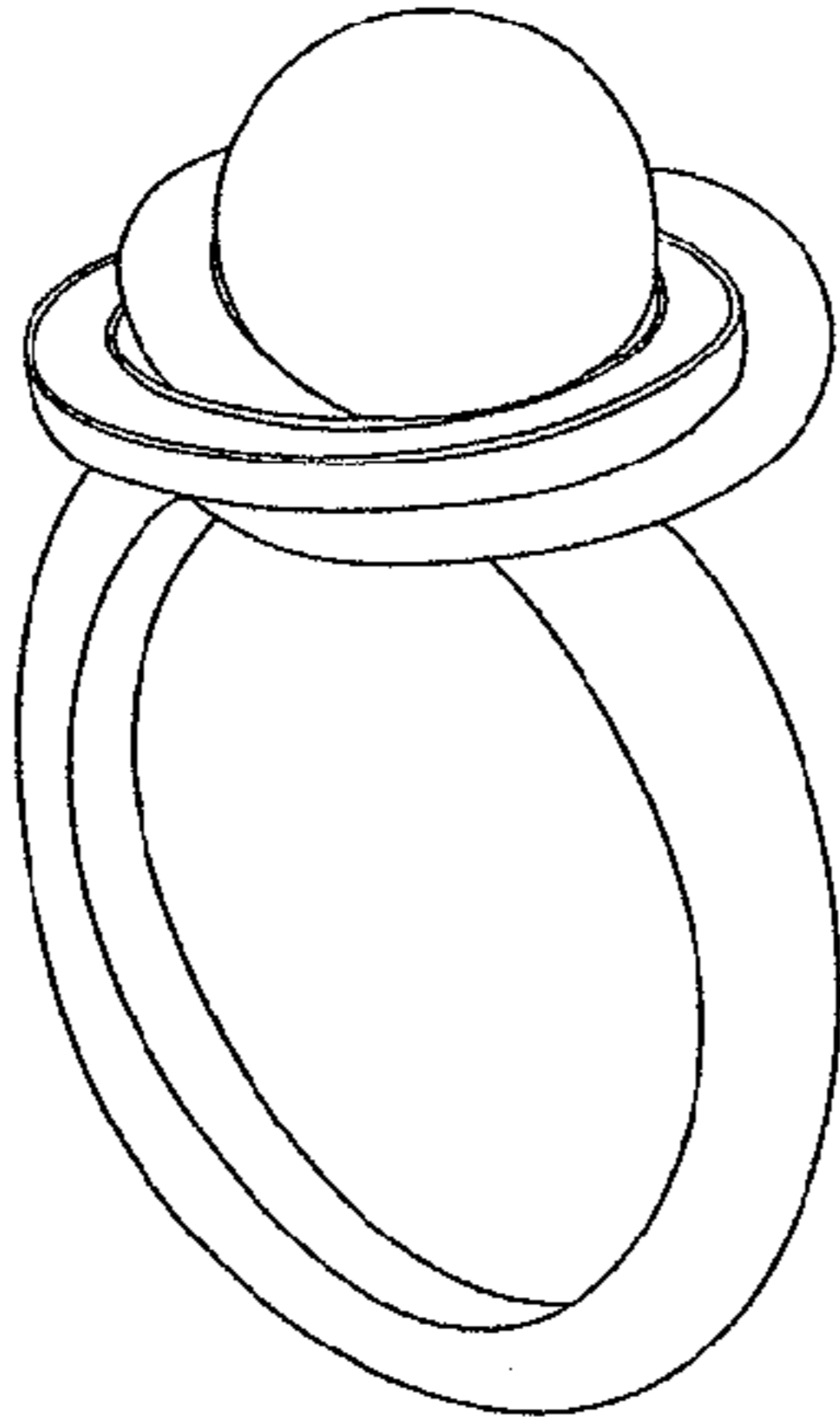


FIG. 7