



US00D666108S

(12) **United States Design Patent**
Chiang

(10) **Patent No.:** **US D666,108 S**

(45) **Date of Patent:** **** Aug. 28, 2012**

(54) **WATCH CASE**

(75) **Inventor:** **Eric Chiang, Tseung Kwan O (HK)**

(73) **Assignee:** **Timex Group USA, Inc., Middlebury, CT (US)**

(**) **Term:** **14 Years**

(21) **Appl. No.:** **29/412,247**

(22) **Filed:** **Feb. 1, 2012**

(51) **LOC (9) Cl.** **10-02**

(52) **U.S. Cl.** **D10/38**

(58) **Field of Classification Search** D10/30-39;
368/276, 281, 282, 285

See application file for complete search history.

(56) **References Cited**

U.S. PATENT DOCUMENTS

D108,735 S *	3/1938	Merz	D10/28
D108,739 S *	3/1938	Merz	D10/38
D111,817 S *	10/1938	Schwankhaus	D10/38
D149,039 S *	3/1948	Barre	D10/32
3,768,247 A *	10/1973	Fujita	368/160
D229,213 S *	11/1973	Sasaki	D10/38
D239,511 S *	4/1976	Watson	D10/38
D242,774 S *	12/1976	Huguenin	D10/38
D268,485 S *	4/1983	Claude	D10/38
D269,502 S *	6/1983	Tanaka	D10/38
D310,337 S *	9/1990	Ratajski	D10/39
D381,588 S *	7/1997	Weston	D10/32
D382,211 S *	8/1997	Bodino	D10/30
D382,214 S *	8/1997	Liao	D10/32
D419,078 S *	1/2000	Bonnett	D10/30
D453,904 S *	2/2002	Terashima	D10/30
D454,075 S *	3/2002	Tschumy	D10/30
D488,077 S *	4/2004	Bitetto	D10/39

D490,716 S *	6/2004	Peraldi	D10/30
D491,819 S *	6/2004	Guadalupe	D10/38
D518,742 S *	4/2006	Yan	
D523,355 S *	6/2006	Pozzan	D10/30
D527,657 S *	9/2006	Wilcox et al.	D10/38
D528,927 S *	9/2006	Burton	D10/38
D551,094 S *	9/2007	Yan	
D560,520 S *	1/2008	Oberrieder et al.	D10/65
D596,510 S *	7/2009	Register et al.	D10/38
D601,042 S *	9/2009	Bodino et al.	D10/38
D609,585 S *	2/2010	d'Origny	D10/38

OTHER PUBLICATIONS

<http://www.sidewatch.ch>—(2 sheets).

* cited by examiner

Primary Examiner — Lucy Lieberman

(74) *Attorney, Agent, or Firm* — Carmody & Torrance LLP

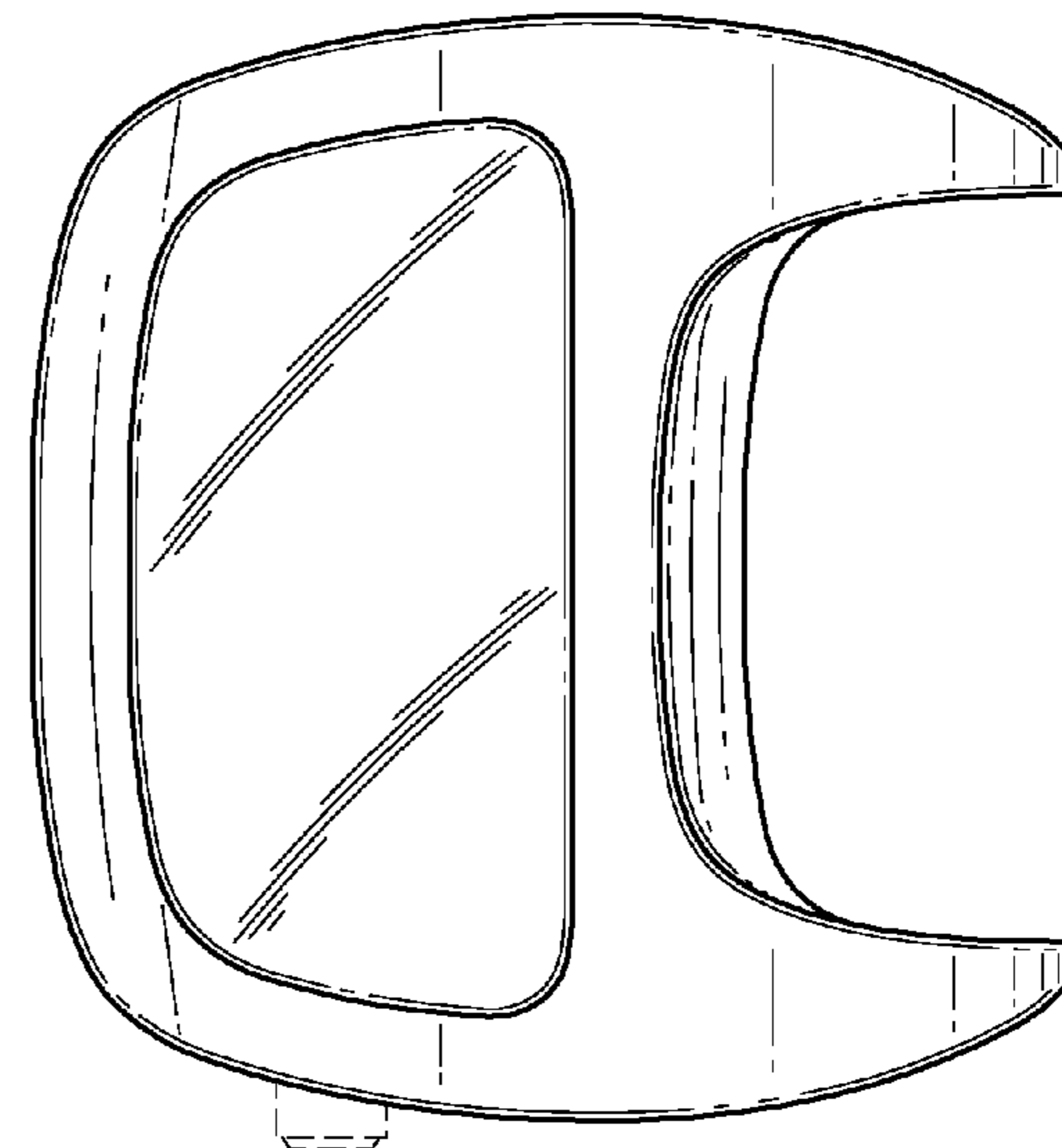
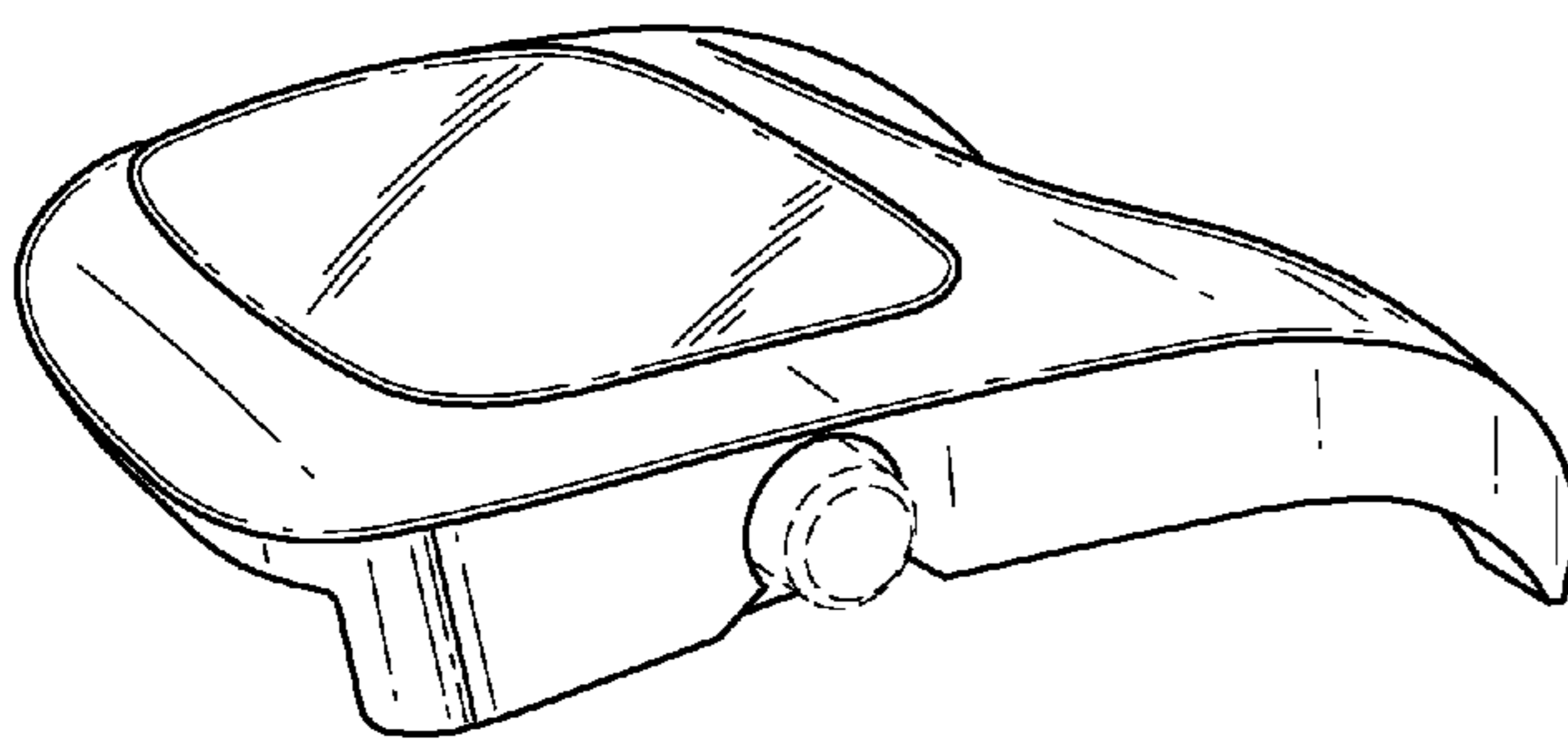
(57) **CLAIM**

The ornamental design for a watch case, as shown and described.

DESCRIPTION

FIG. 1 is a perspective view of a watch casing and portion of a strap showing my new design;
FIG. 2 is a right side elevational view thereof;
FIG. 3 is a left side elevational view thereof;
FIG. 4 is a top plan view thereof;
FIG. 5 is a bottom plan view thereof;
FIG. 6 is a first end elevational view thereof; and,
FIG. 7 is a second end elevational view thereof.
The broken line showings are environmental only and form no part of the claimed design.

1 Claim, 3 Drawing Sheets



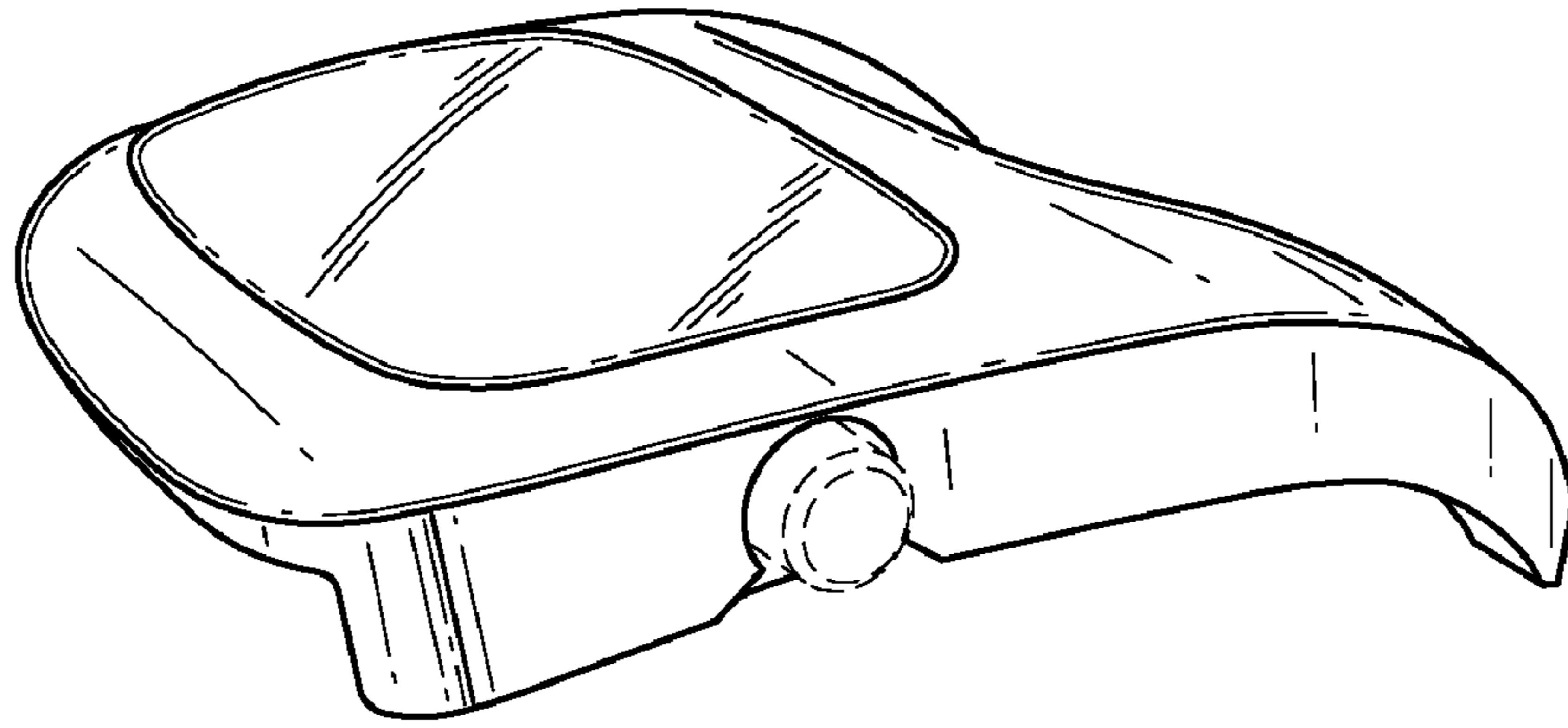


FIG. 1

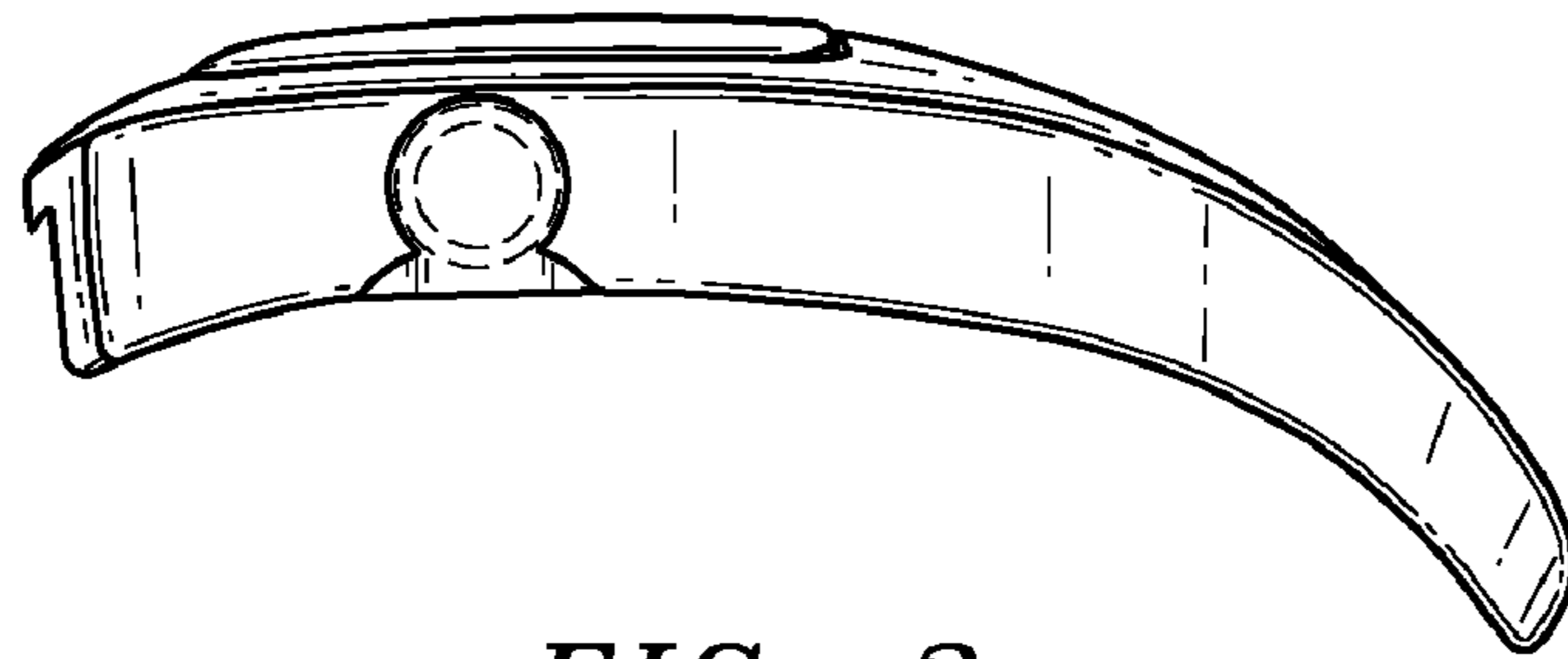


FIG. 2

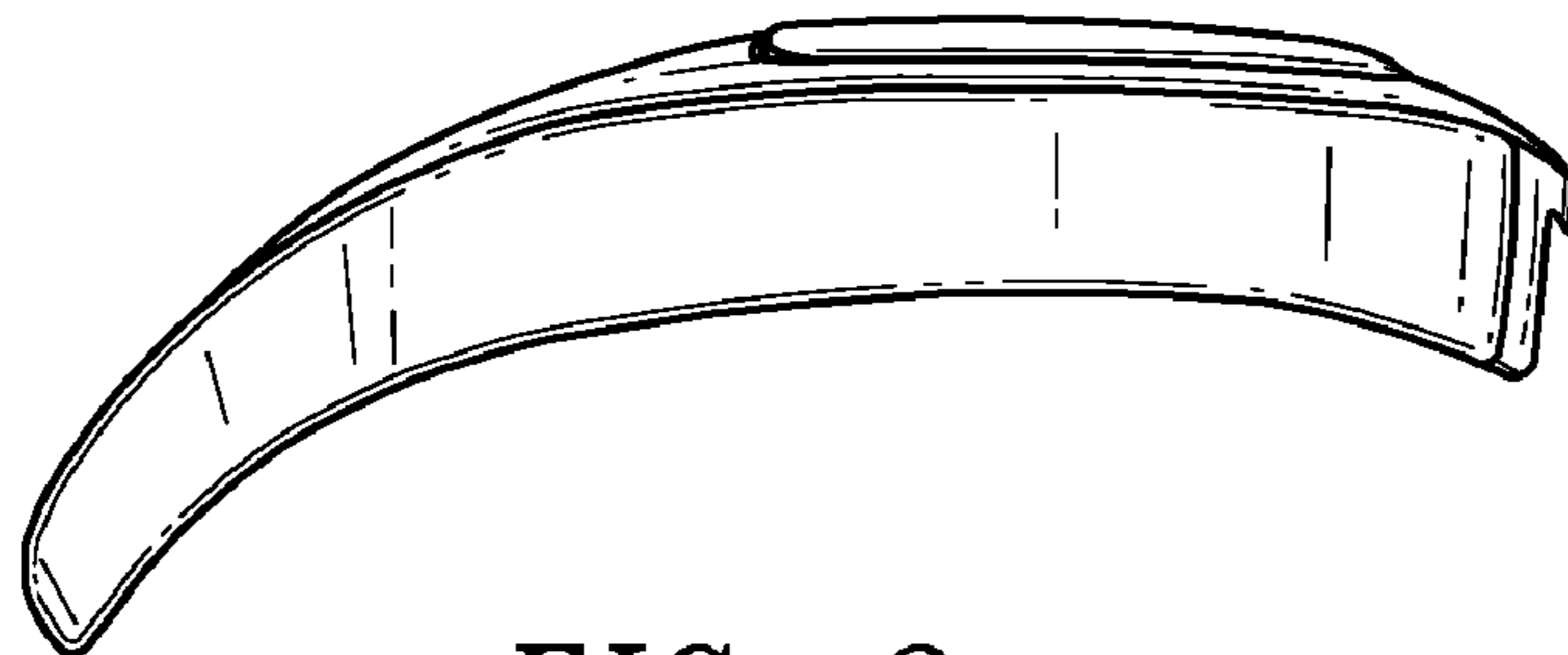


FIG. 3

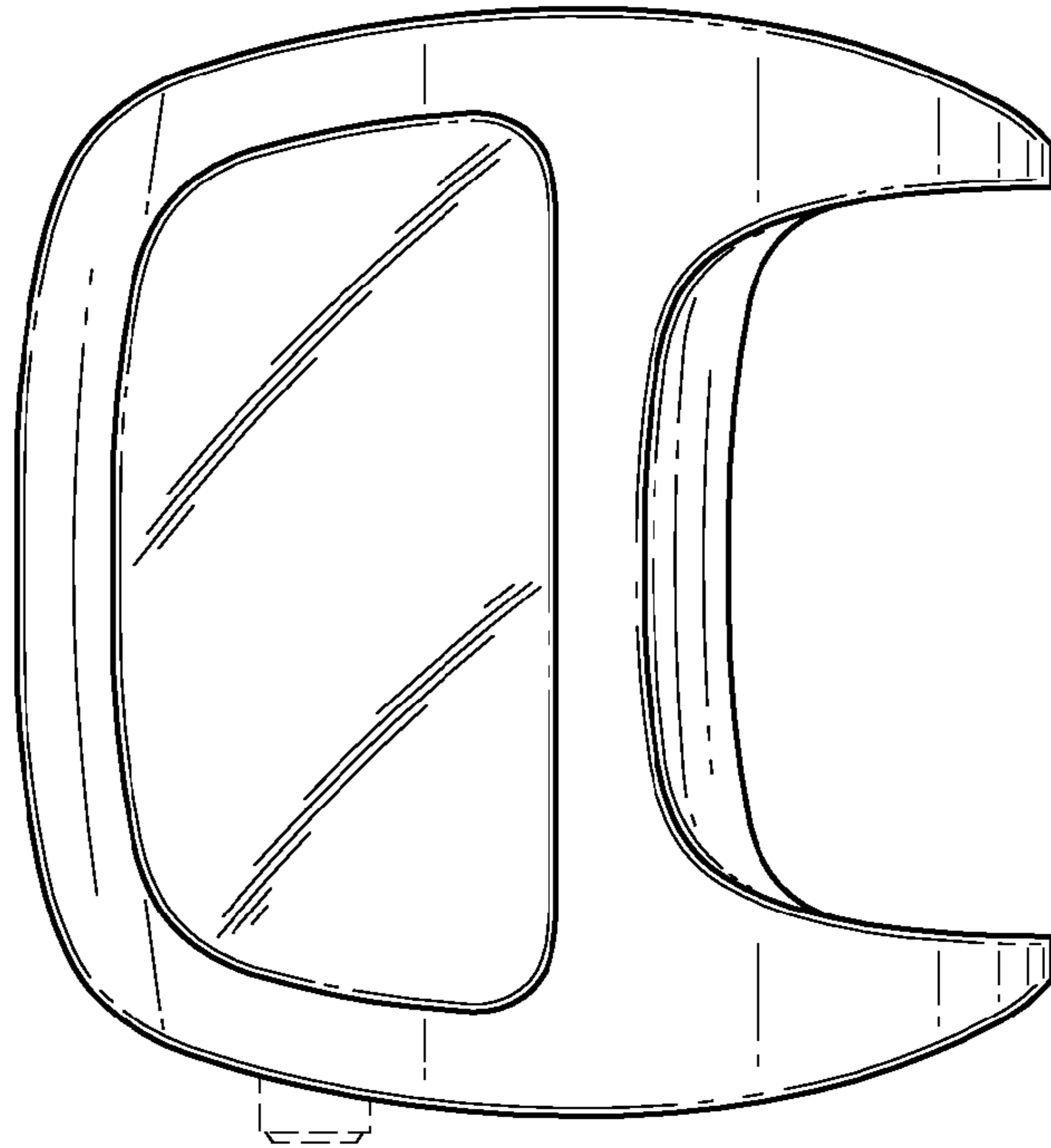


FIG. 4

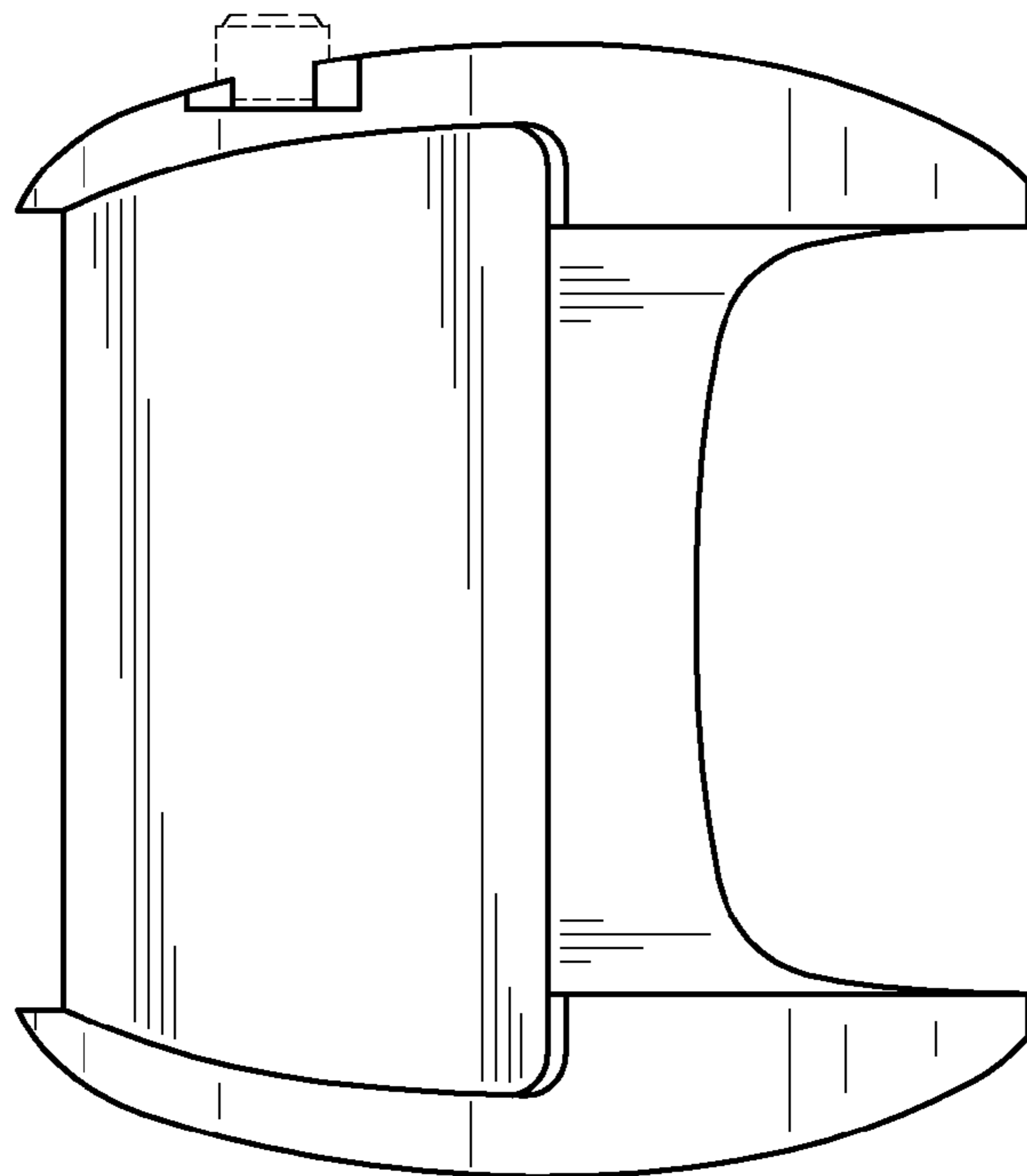


FIG. 5

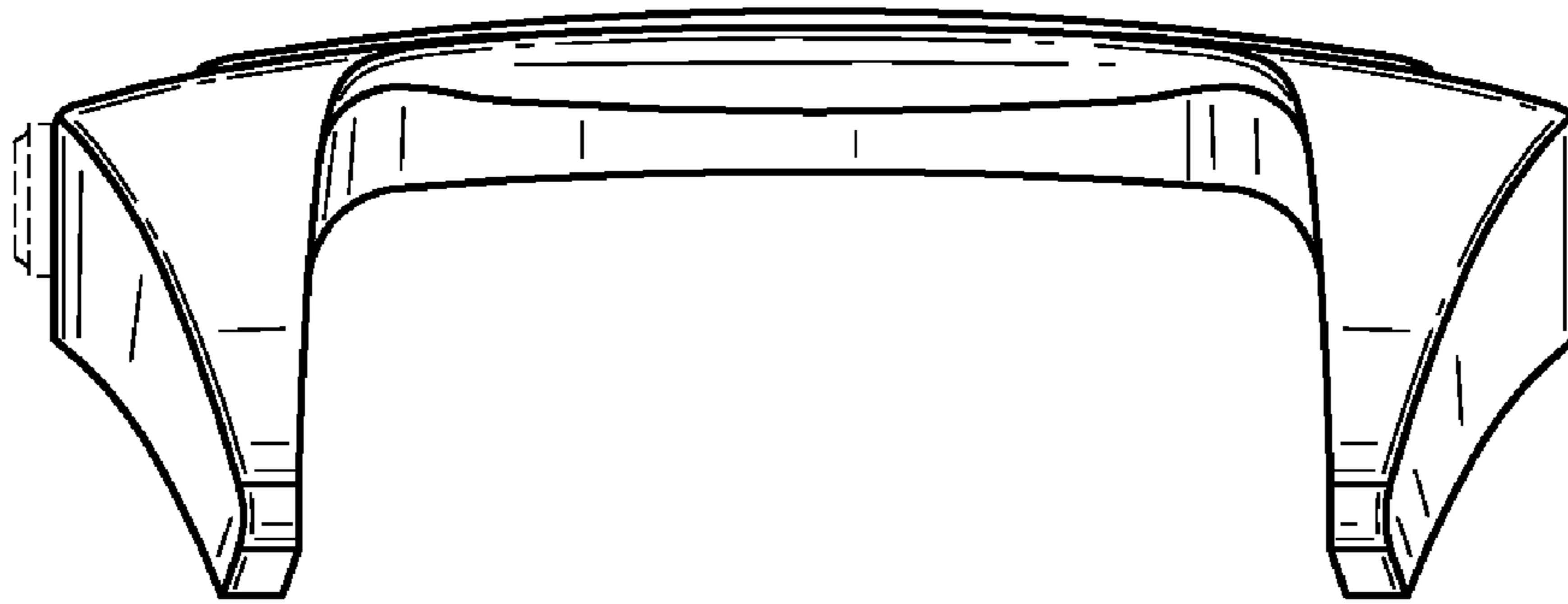


FIG. 6

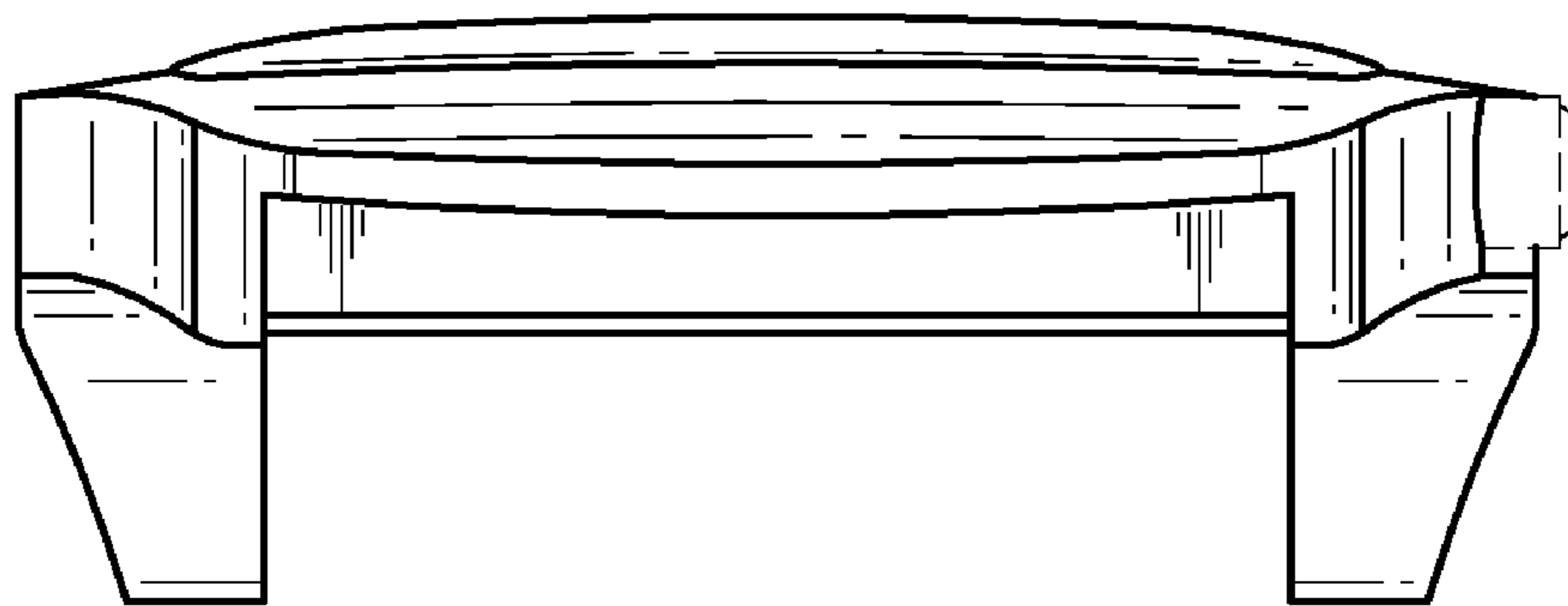


FIG. 7