



US00D666101S

(12) **United States Design Patent**  
**Handy**

(10) **Patent No.:** **US D666,101 S**

(45) **Date of Patent:** **\*\* Aug. 28, 2012**

(54) **BOTTLE**

(75) Inventor: **Francis J. Handy**, San Rafael, CA (US)

(73) Assignee: **Method Products, Inc.**, San Francisco, CA (US)

(\*\*) Term: **14 Years**

(21) Appl. No.: **29/414,273**

(22) Filed: **Feb. 27, 2012**

3,130,877	A *	4/1964	Miller	.....	222/207
3,198,400	A *	8/1965	Roehrich	.....	222/182
D203,227	S *	12/1965	Utley	.....	D9/558
D210,571	S *	3/1968	Vanderhyde	.....	D9/538
D212,463	S *	10/1968	Vanderhyde	.....	D9/450
D216,539	S *	2/1970	Trotti	.....	D23/225
D234,747	S *	4/1975	Sanders	.....	D4/116
D292,381	S *	10/1987	Kowollik et al.	.....	D9/453
D323,455	S *	1/1992	Eichler	.....	D9/558
D409,051	S *	5/1999	Huang	.....	D7/608
D435,792	S *	1/2001	Peloquin	.....	D9/448
D464,265	S *	10/2002	Elliot et al.	.....	D9/504
D522,369	S *	6/2006	Penn	.....	D9/520
2007/0040296	A1 *	2/2007	Moore	.....	264/211.11

\* cited by examiner

**Related U.S. Application Data**

(63) Continuation of application No. 29/380,756, filed on Dec. 10, 2010, now Pat. No. Des. 654,795, which is a continuation of application No. 29/359,789, filed on Apr. 15, 2010, now Pat. No. Des. 642,916, which is a continuation of application No. 29/340,717, filed on Jul. 23, 2009, now Pat. No. Des. 614,032.

(51) **LOC (9) Cl.** ..... **09-01**

(52) **U.S. Cl.** ..... **D9/503; D9/556; D9/692**

(58) **Field of Classification Search** ..... D9/682-694, D9/500-505, 516-575, 434-455; D4/108, D4/114, 116; D19/66, 70, 71; 220/662, 220/665, 679-675; 222/211, 212, 213, 215, 222/321.7, 321.9, 372, 373, 378, 379, 383.1, 222/384-386, 398, 400.7, 400.8, 401, 402.1-402.25; 401/118-130, 261-266

See application file for complete search history.

(56) **References Cited**

**U.S. PATENT DOCUMENTS**

1,164,848	A *	12/1915	Neukirchen	.....	401/264
1,309,948	A *	7/1919	Kositchek	.....	222/501
D59,583	S *	11/1921	Green	.....	D9/777
2,059,748	A *	11/1936	Rose	.....	401/266
D121,678	S *	7/1940	Jung	.....	D9/453
D139,381	S *	11/1944	Harris	.....	D9/504
2,576,416	A *	11/1951	Randlett	.....	222/542
D165,734	S *	1/1952	Barton	.....	D9/453
D189,374	S *	11/1960	Harris	.....	D9/504
2,990,076	A *	6/1961	Stull	.....	215/46
3,002,722	A *	10/1961	Cote	.....	248/174

*Primary Examiner* — Catherine Tuttle

(74) *Attorney, Agent, or Firm* — Sterne, Kessler, Goldstein & Fox P.L.L.C.

(57) **CLAIM**

The ornamental design for a bottle, as shown and described.

**DESCRIPTION**

FIG. 1 is a front perspective view of a first embodiment of a bottle showing my new design;

FIG. 2 is a side view thereof;

FIG. 3 is the other side view thereof;

FIG. 4 is a rear view thereof;

FIG. 5 is a front view thereof;

FIG. 6 is a top plan view thereof;

FIG. 7 is a front perspective view of a second embodiment of a bottle showing my new design;

FIG. 8 is a side view thereof;

FIG. 9 is the other side view thereof;

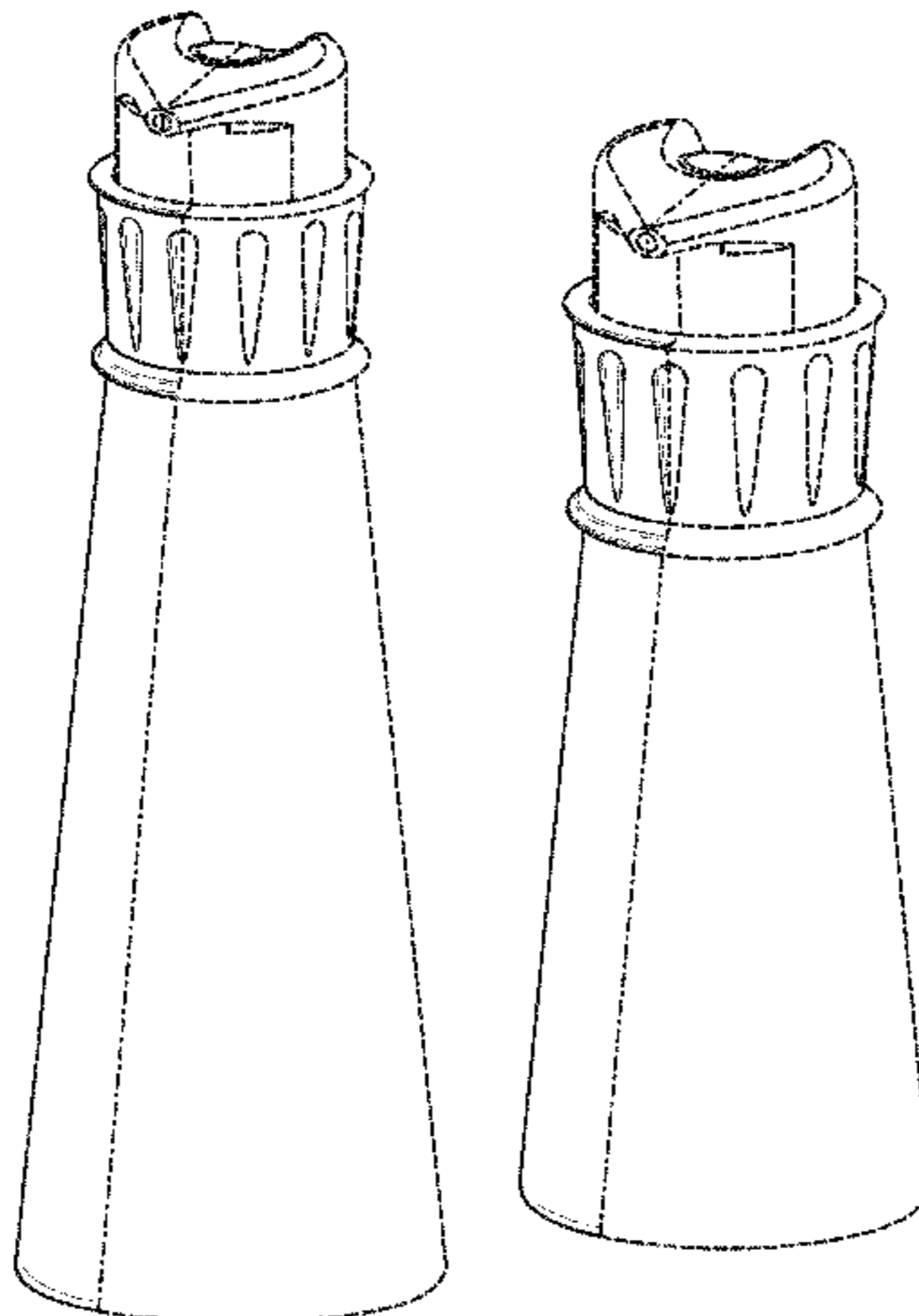
FIG. 10 is a rear view thereof;

FIG. 11 is a front view thereof; and,

FIG. 12 is a top plan view thereof.

The dashed broken lines in the Figures are included for the purpose of illustrating portions of the bottle that form no part of the claimed design. The vertically oriented dot-dashed line indicates the boundary of the claim adjacent the shaded and solid line portions of the bottle. The dot-dashed line likewise forms no part of the claim.

**1 Claim, 12 Drawing Sheets**



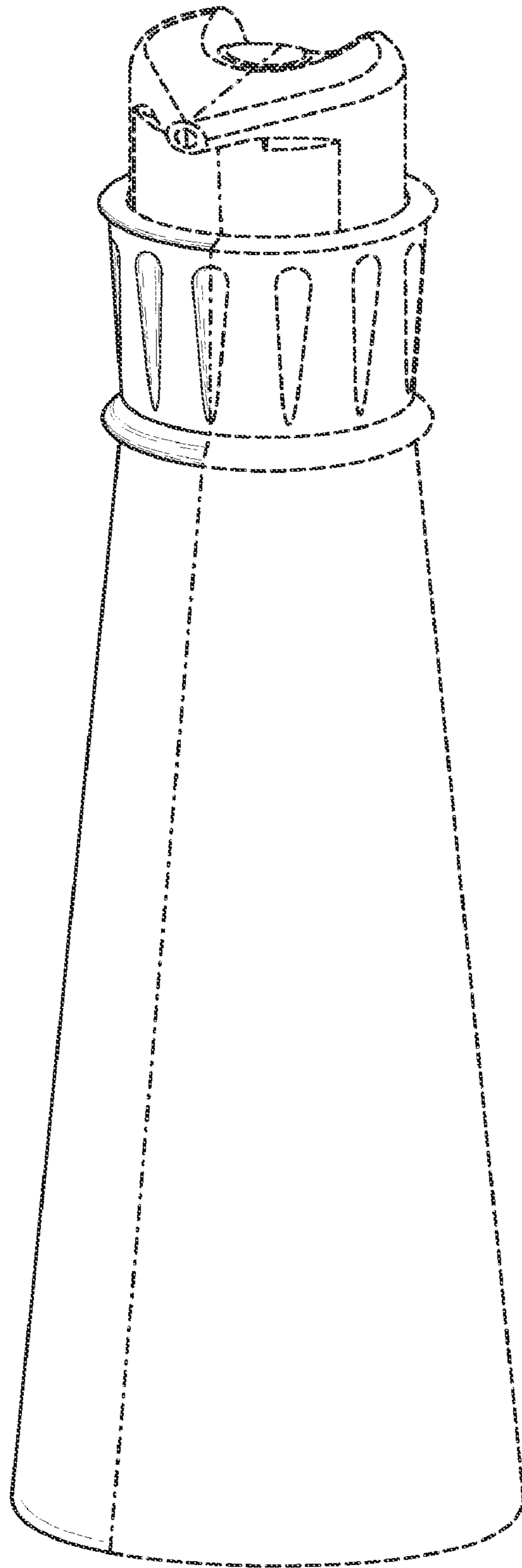


FIG. 1

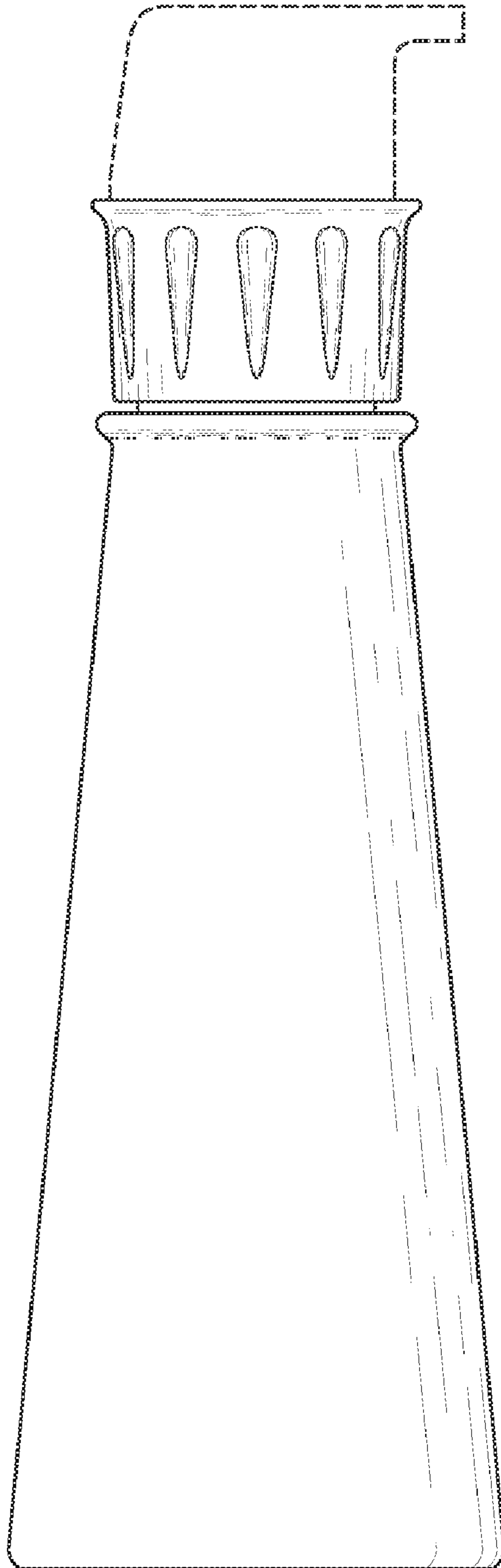


FIG. 2

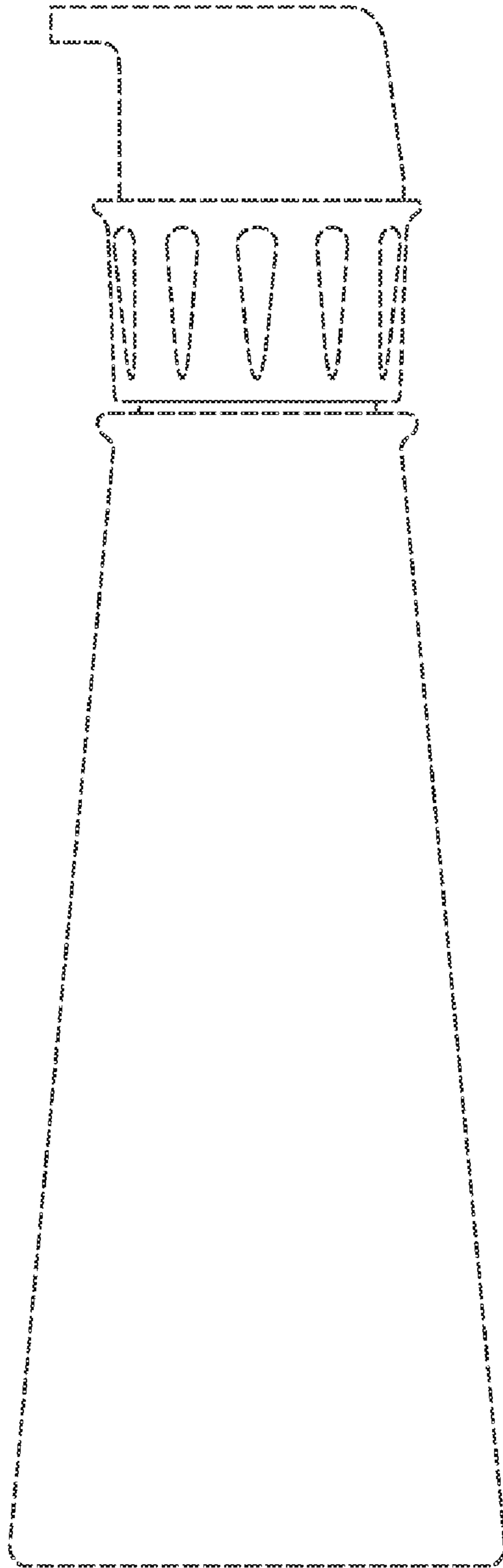


FIG. 3

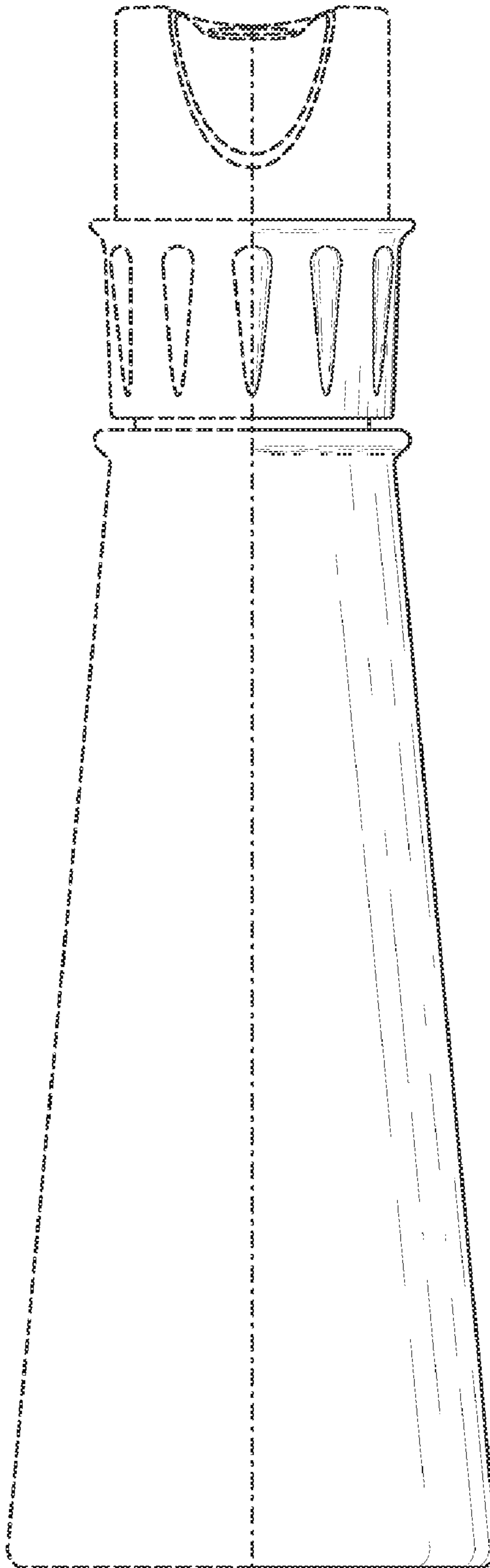


FIG. 4

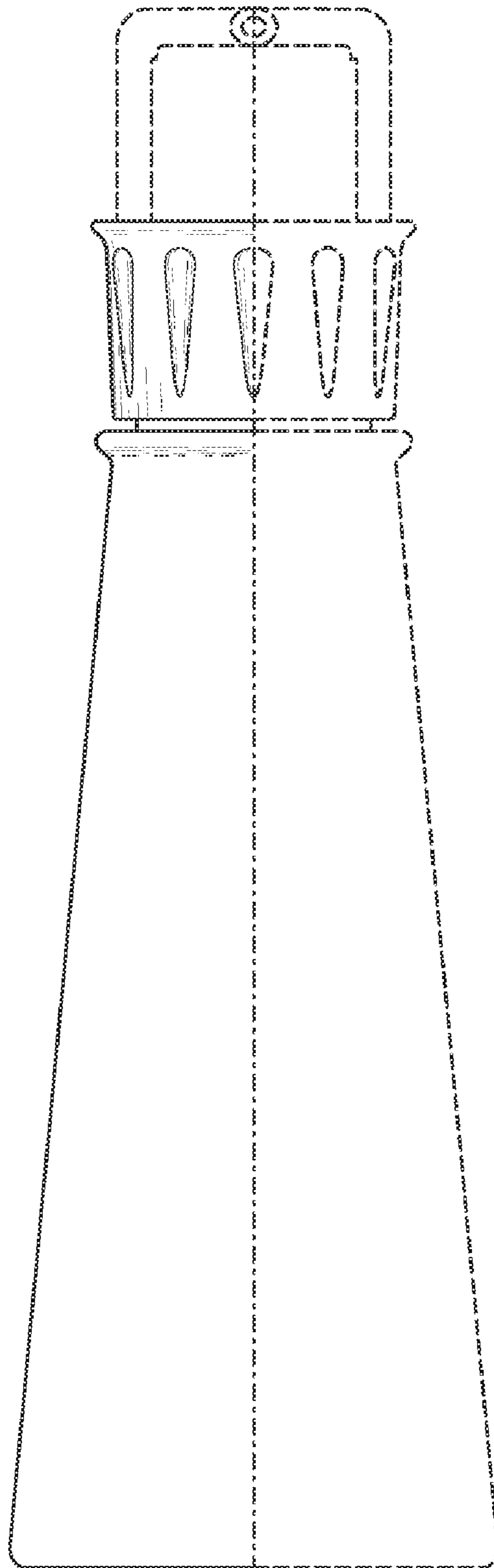
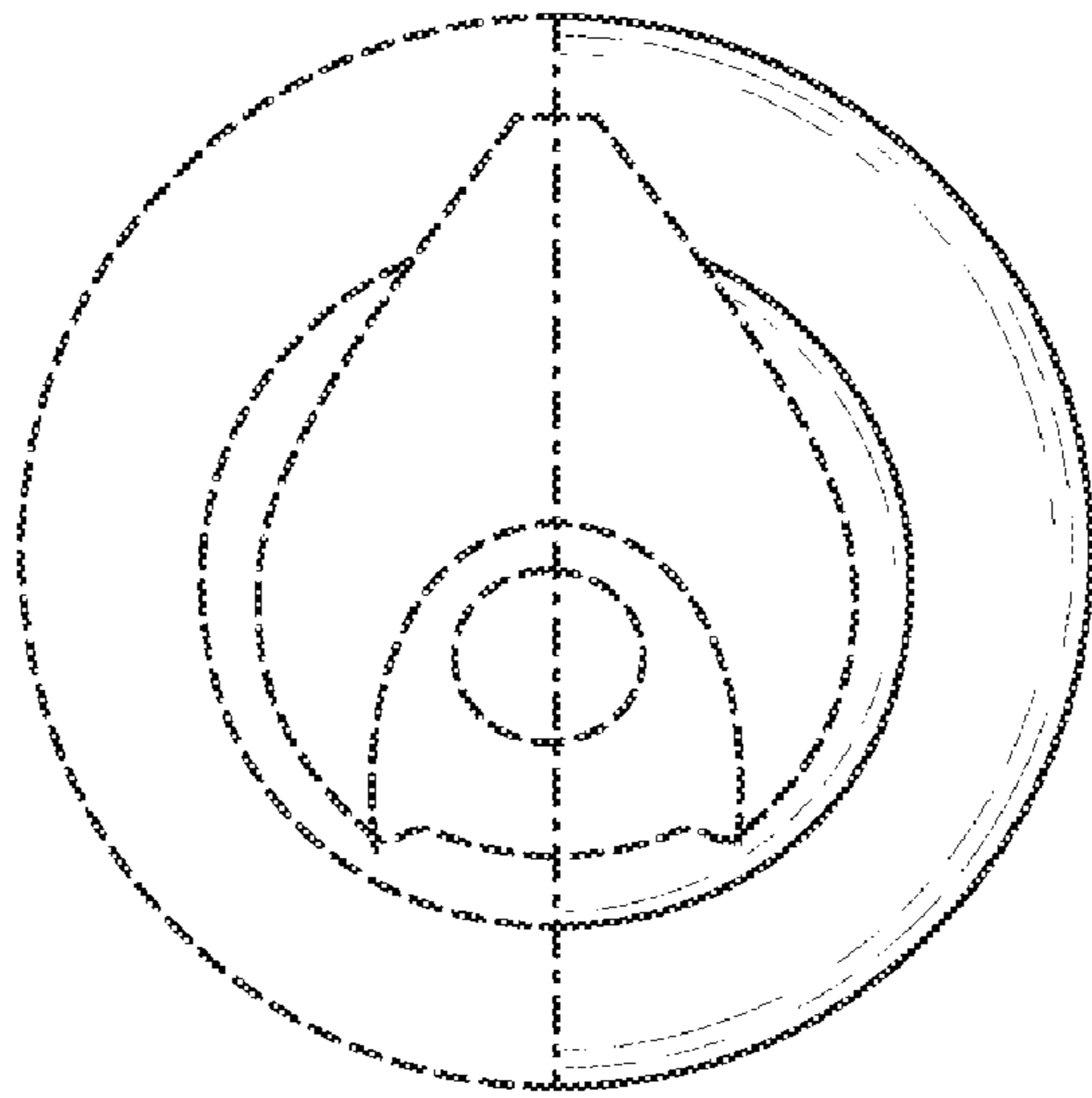
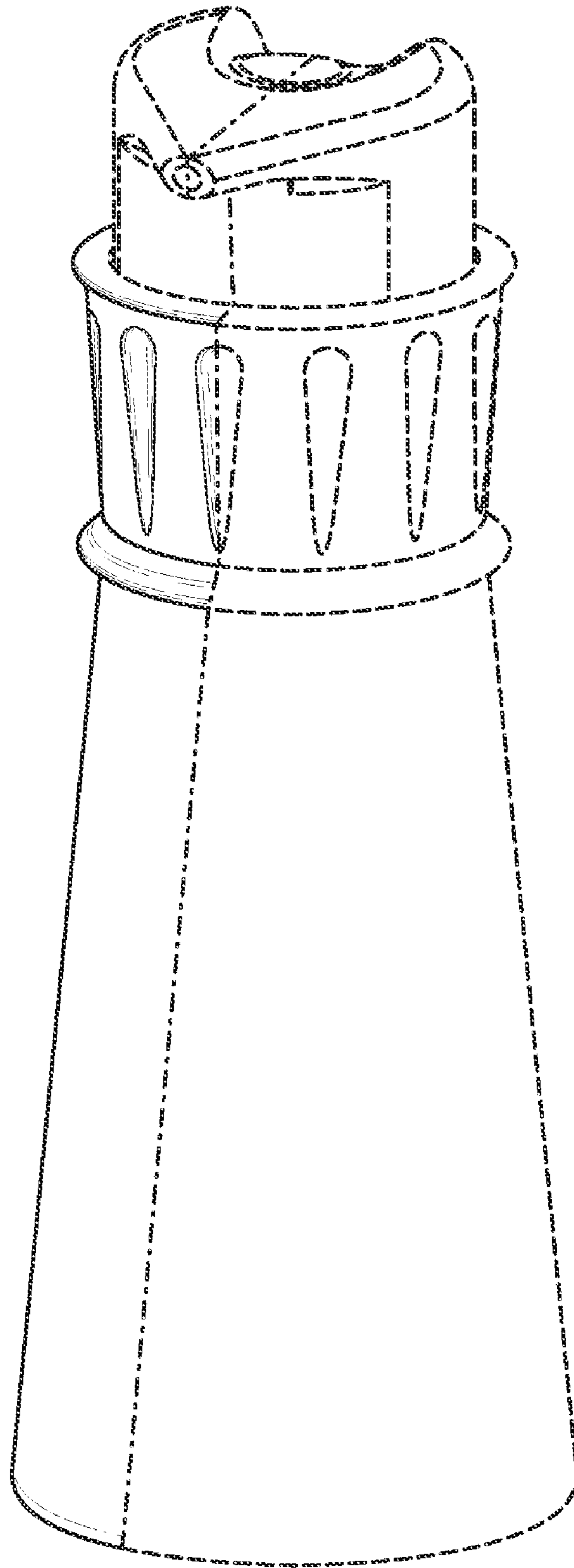


FIG. 5



*FIG. 6*





**FIG. 7**



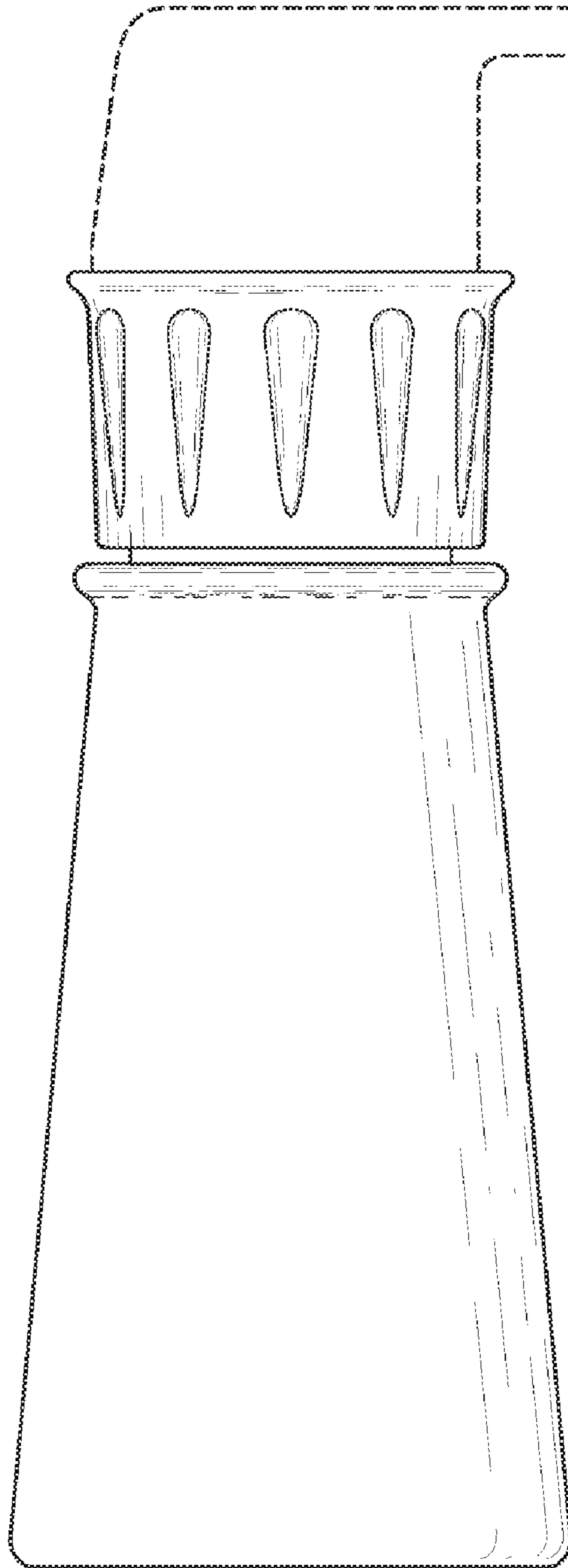


FIG. 8

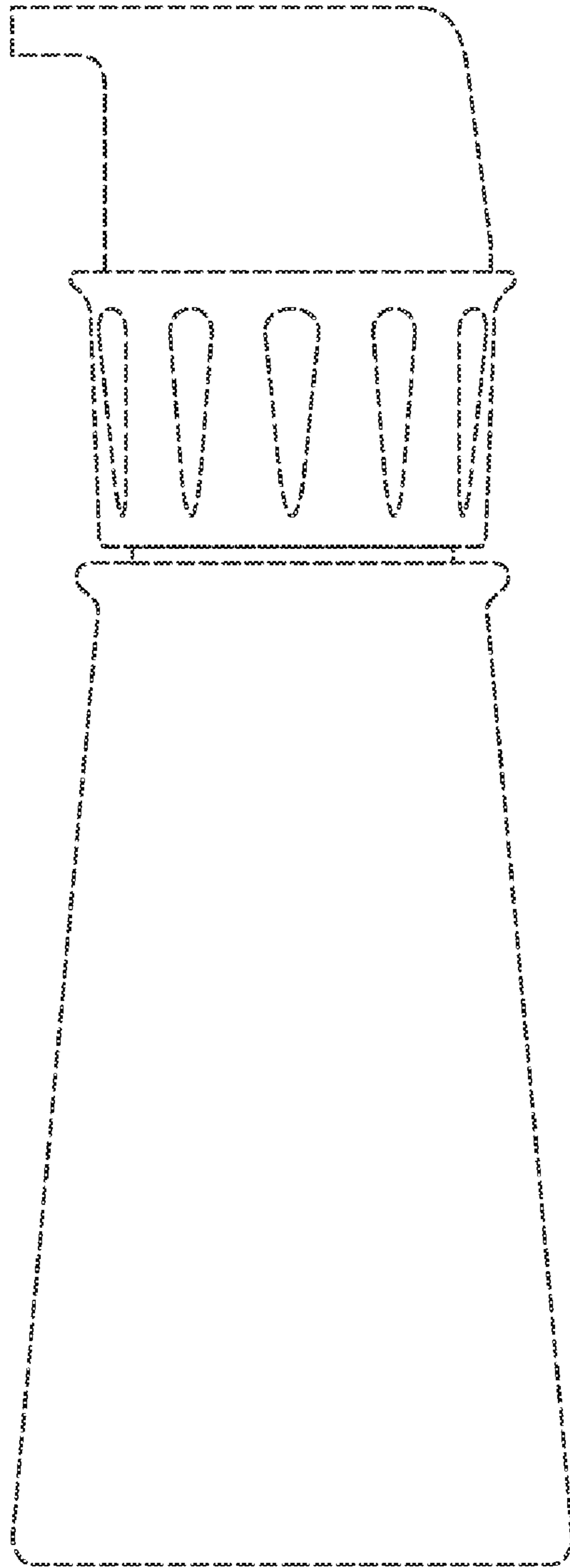


FIG. 9

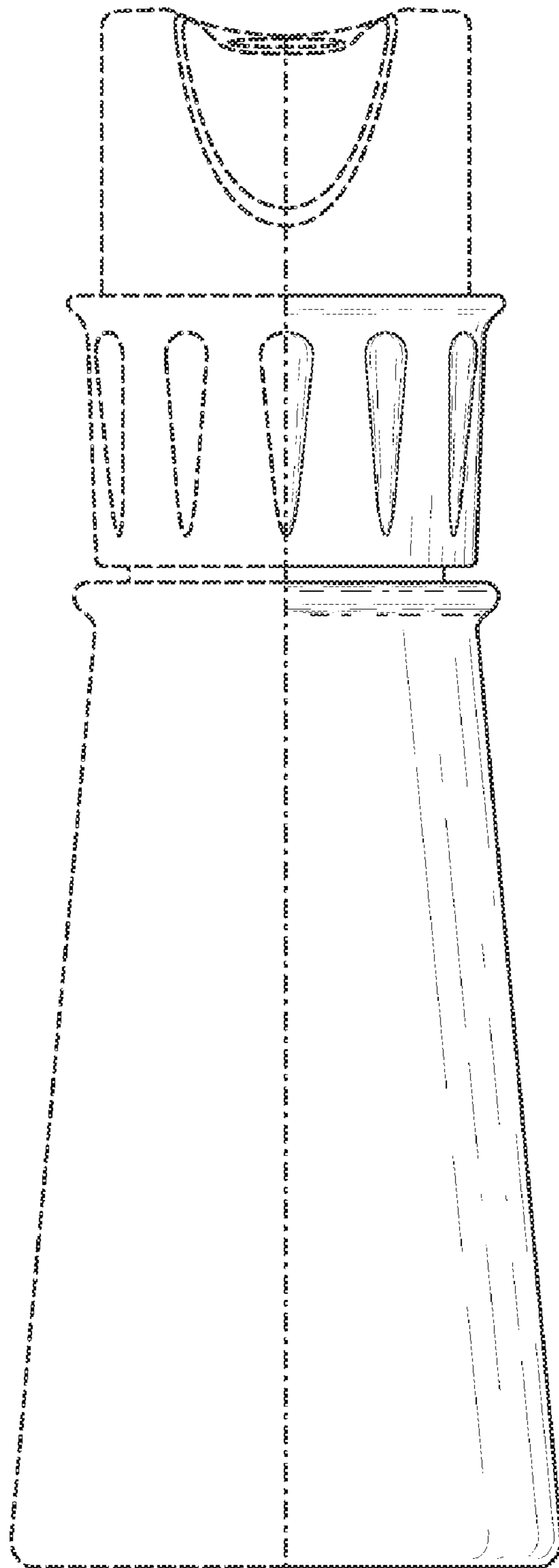


FIG. 10

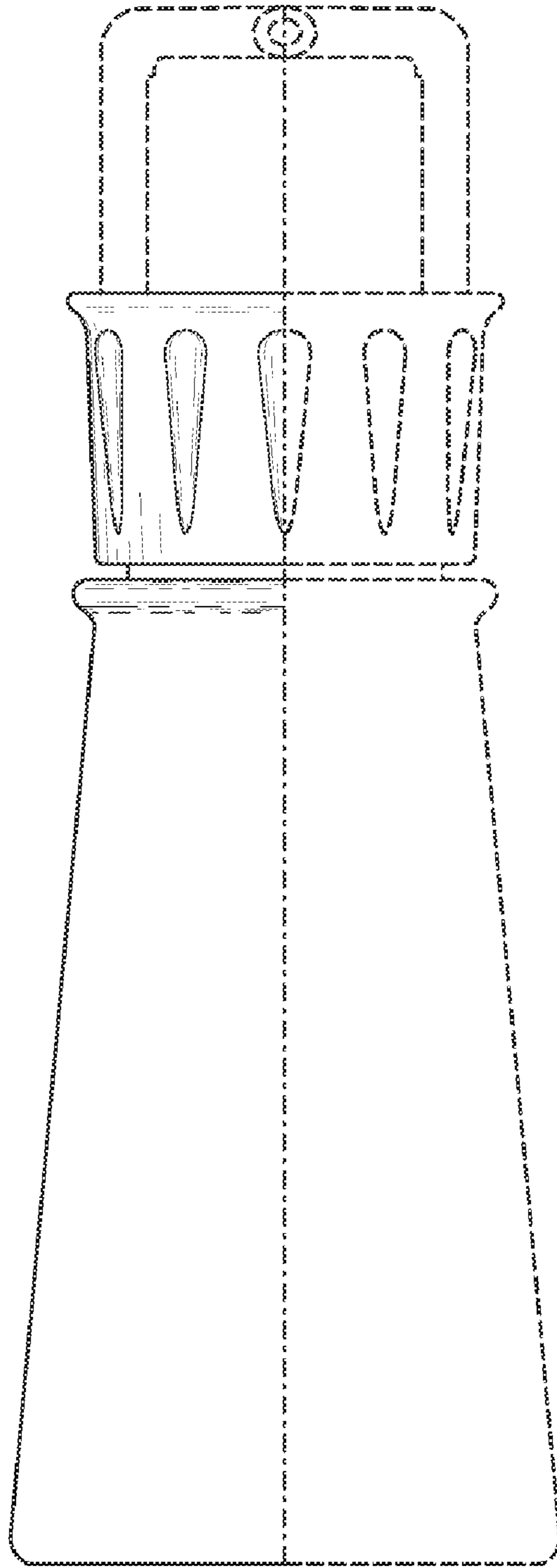
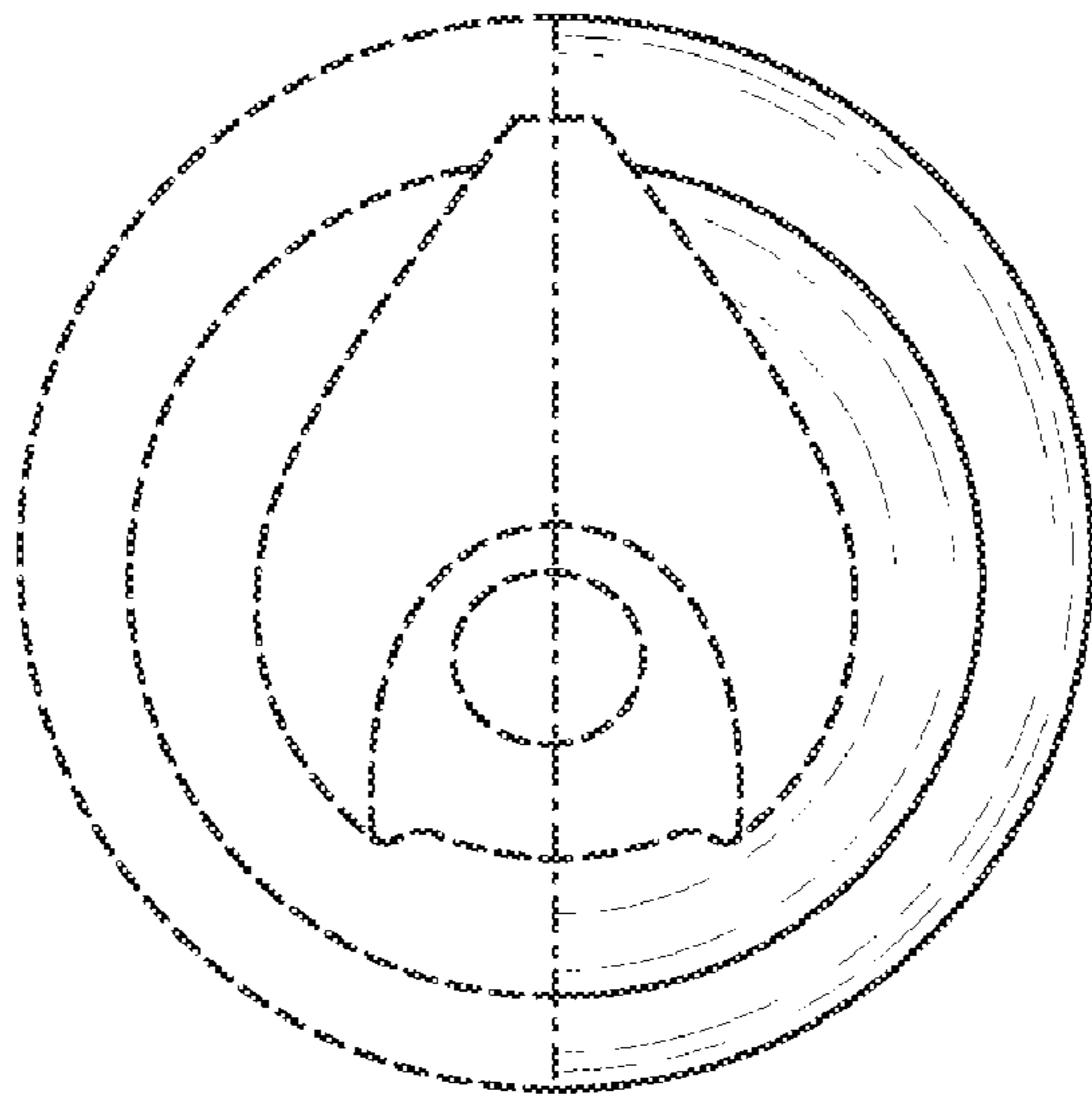


FIG. 11



*FIG. 12*