



US00D666100S

(12) **United States Design Patent**
Fallon

(10) **Patent No.:** **US D666,100 S**

(45) **Date of Patent:** **** Aug. 28, 2012**

(54) **PACK INNER FRAMES**

(75) Inventor: **Gary Fallon**, London (GB)

(73) Assignee: **British American Tobacco (Investments) Limited**, London (GB)

(**) Term: **14 Years**

(21) Appl. No.: **29/413,187**

(22) Filed: **Feb. 13, 2012**

Related U.S. Application Data

(62) Division of application No. 29/385,237, filed on Feb. 10, 2011.

(51) **LOC (9) Cl.** **09-07**

(52) **U.S. Cl.** **D9/456; D9/434**

(58) **Field of Classification Search** D9/760,
D9/761, 759, 756, 755, 753, 751, 750, 739,
D9/738, 737, 702, 456, 455, 443, 434, 415;
D20/19; D19/34.1; 248/146; 229/120; 220/4.23;
211/42; 206/814, 564, 558, 557, 529, 485,
206/446, 429, 427, 421, 419, 418, 259
See application file for complete search history.

(56) **References Cited**

U.S. PATENT DOCUMENTS

4,216,898	A	8/1980	Davies
4,771,882	A	9/1988	Lowe et al.
5,129,513	A	7/1992	David et al.
5,150,720	A	9/1992	Focke et al.
5,158,664	A	10/1992	Colgan et al.
5,207,322	A	5/1993	Focke et al.
5,439,105	A	8/1995	Focke

(Continued)

Primary Examiner — Susan Bennett Hattan

(74) *Attorney, Agent, or Firm* — Chadbourne & Parke LLP

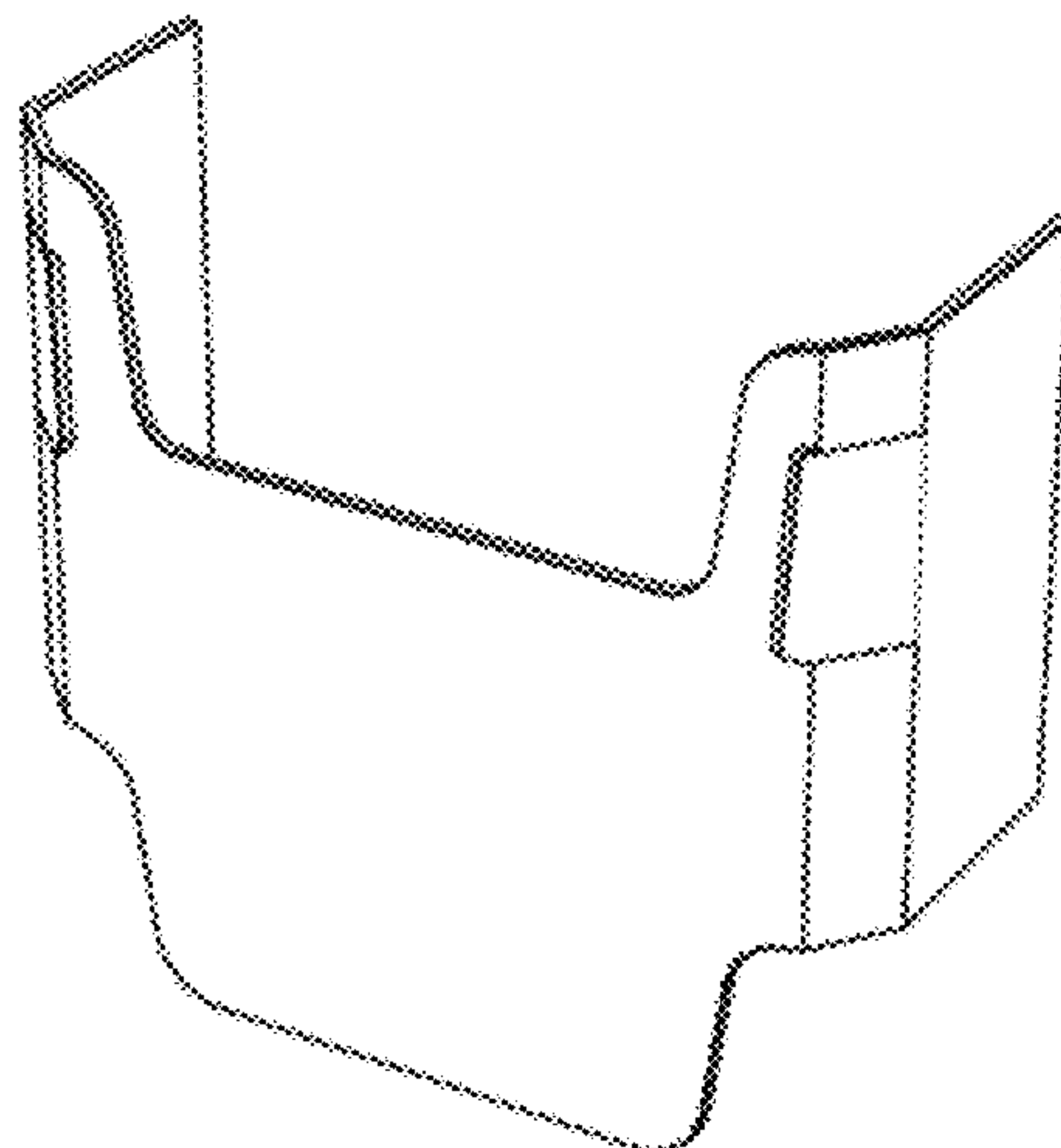
(57) **CLAIM**

The ornamental designs for pack inner frames, as shown and described.

DESCRIPTION

FIG. 1 is a front right perspective view showing the new design for the pack inner frame;
 FIG. 2 is a front view thereof;
 FIG. 3 is a rear view thereof;
 FIG. 4 is a left side view thereof;
 FIG. 5 is a right side view thereof;
 FIG. 6 is a top view thereof;
 FIG. 7 is a bottom view thereof;
 FIG. 8 is a front right perspective view of the pack inner frame of FIG. 1 situated within a cigarette pack illustrated in broken lines, with the lid in an open position;
 FIG. 9 is a front view of the pack inner frame of FIG. 2 situated within a cigarette pack illustrated in broken lines, with the lid in an open position;
 FIG. 10 is a rear view of the pack inner frame of FIG. 3 situated within a cigarette pack illustrated in broken lines, with the lid in an open position;
 FIG. 11 is a left side view of the pack inner frame of FIG. 4 situated within a cigarette pack illustrated in broken lines, with the lid in an open position;
 FIG. 12 is a right side view of the pack inner frame of FIG. 5 situated within a cigarette pack illustrated in broken lines, with the lid in an open position;
 FIG. 13 is a top view of the pack inner frame of FIG. 6 situated within a cigarette pack illustrated in broken lines, with the lid in an open position;
 FIG. 14 is a bottom view of the pack inner frame of FIG. 7 situated within a cigarette pack illustrated in broken lines, with the lid in an open position; and,
 FIG. 15 is a front left perspective view of the pack inner frame situated within a cigarette pack illustrated in broken lines.
 The broken lines showing the cigarette pack are for illustration purposes only and form no part of the claimed design.

1 Claim, 10 Drawing Sheets



US D666,100 S

Page 2

U.S. PATENT DOCUMENTS						
			8,141,701	B2 *	3/2012	Hodges 206/268
			D657,240	S *	4/2012	England D9/432
5,526,559	A	6/1996	Fleenor et al.			
5,964,345	A	10/1999	Gamberini			
D438,106	S	2/2001	Brown et al.			
D641,238	S	7/2011	Caldwell et al.			
			2009/0078599	A1	3/2009	Tanbo
			2010/0059395	A1	3/2010	England

* cited by examiner

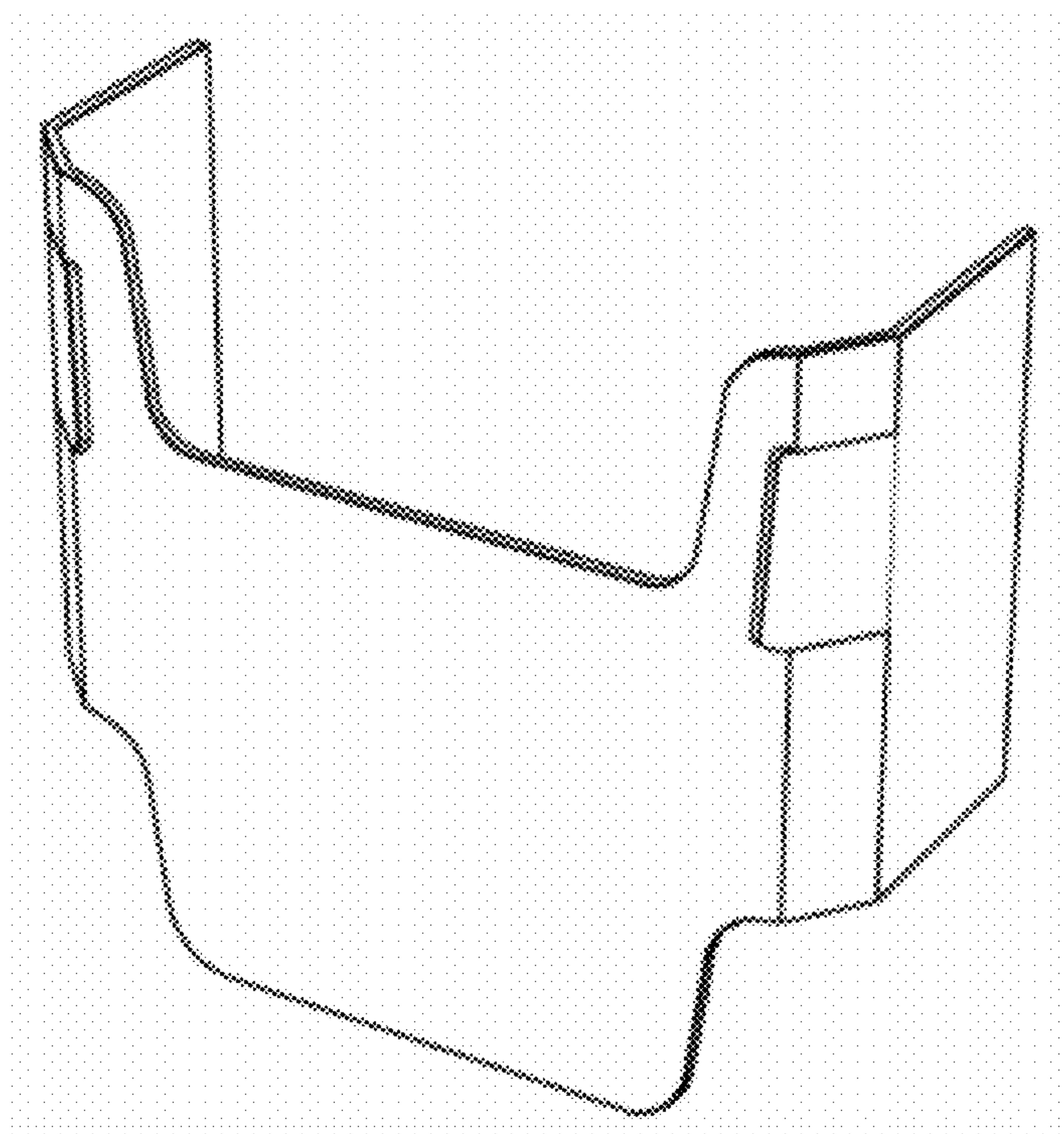


FIG. 1

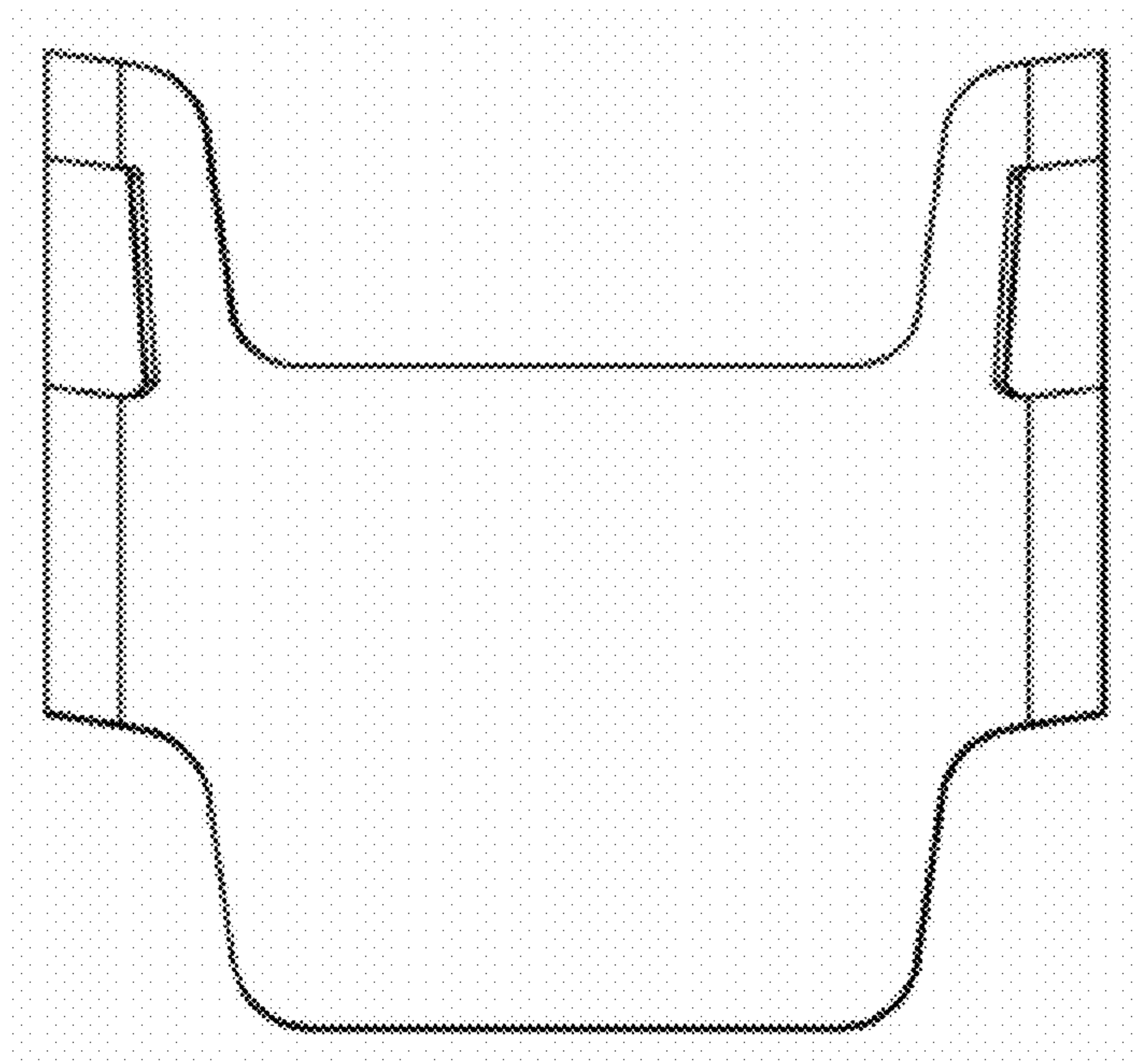


FIG. 2

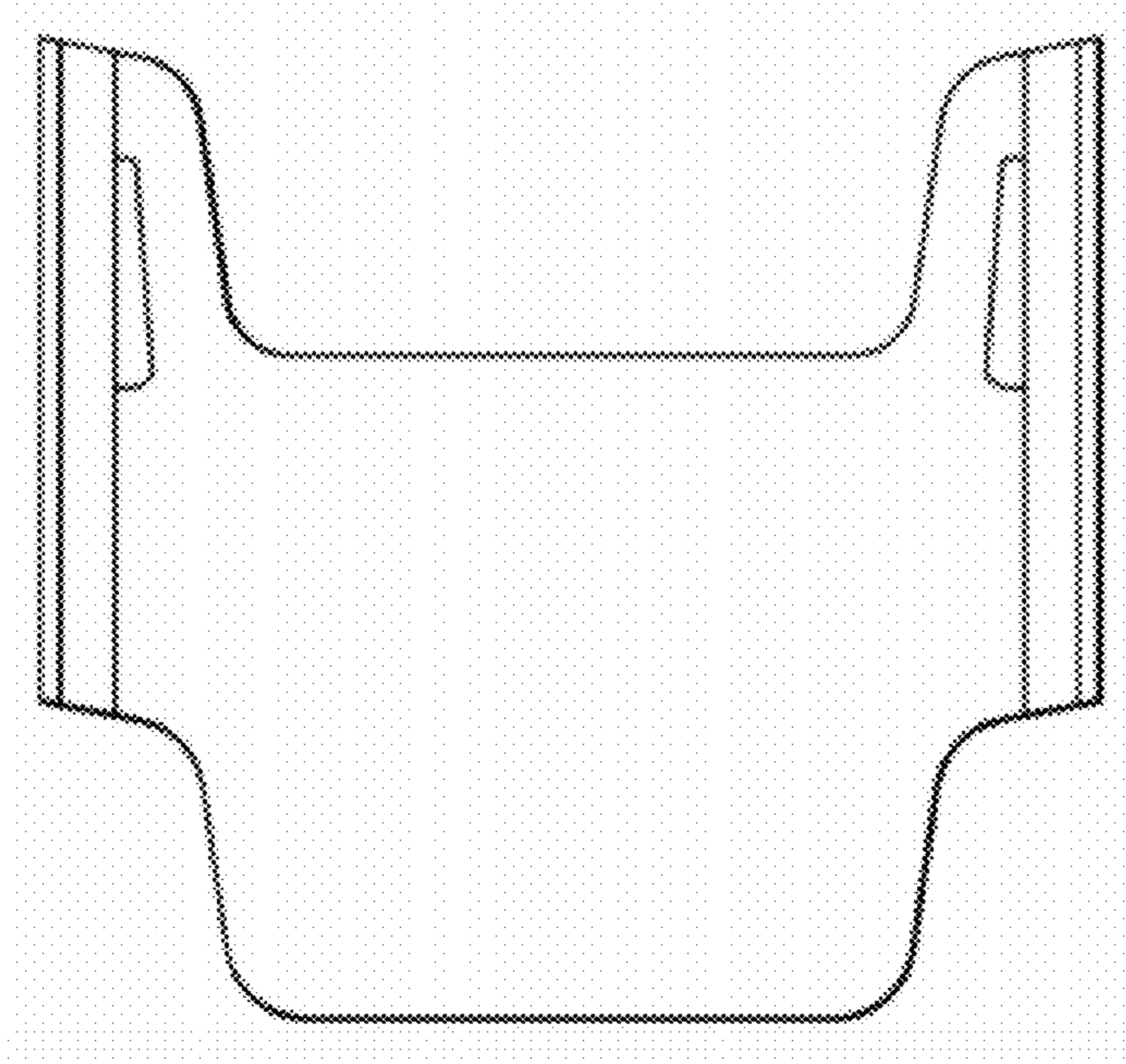


FIG. 3

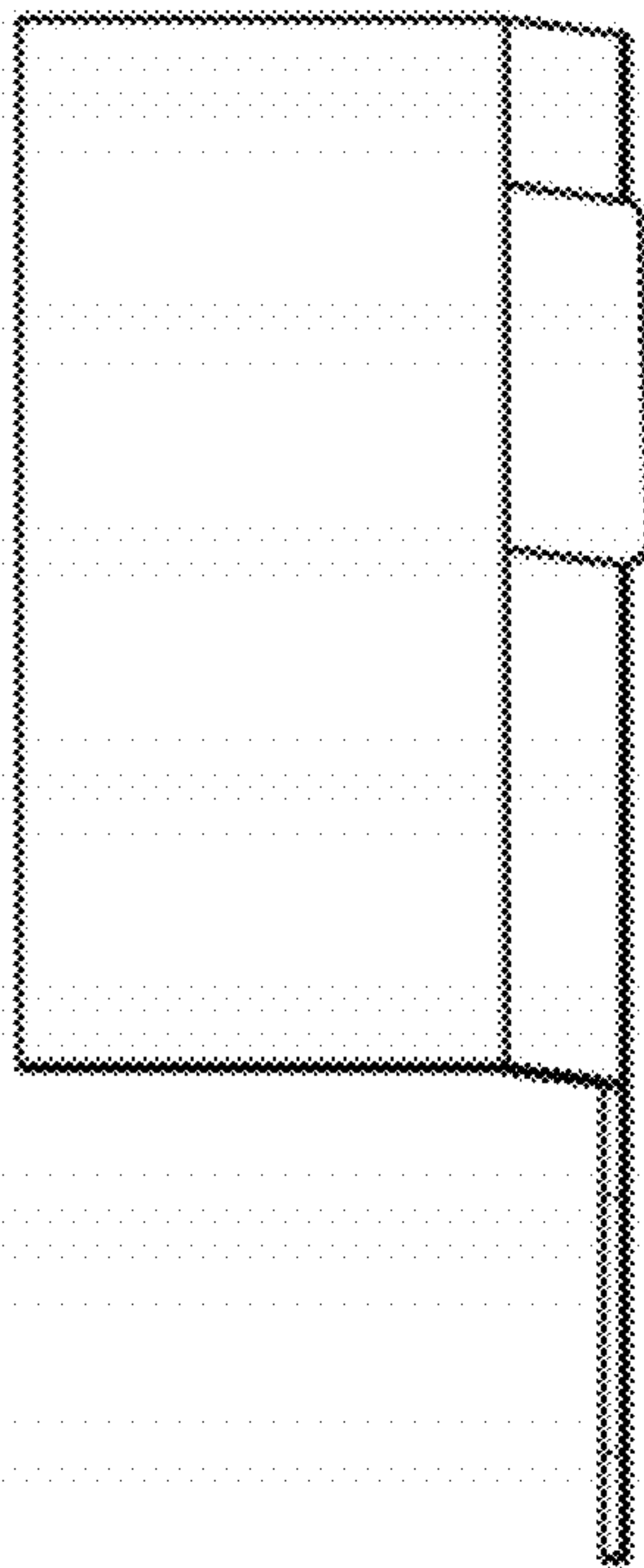


FIG. 4

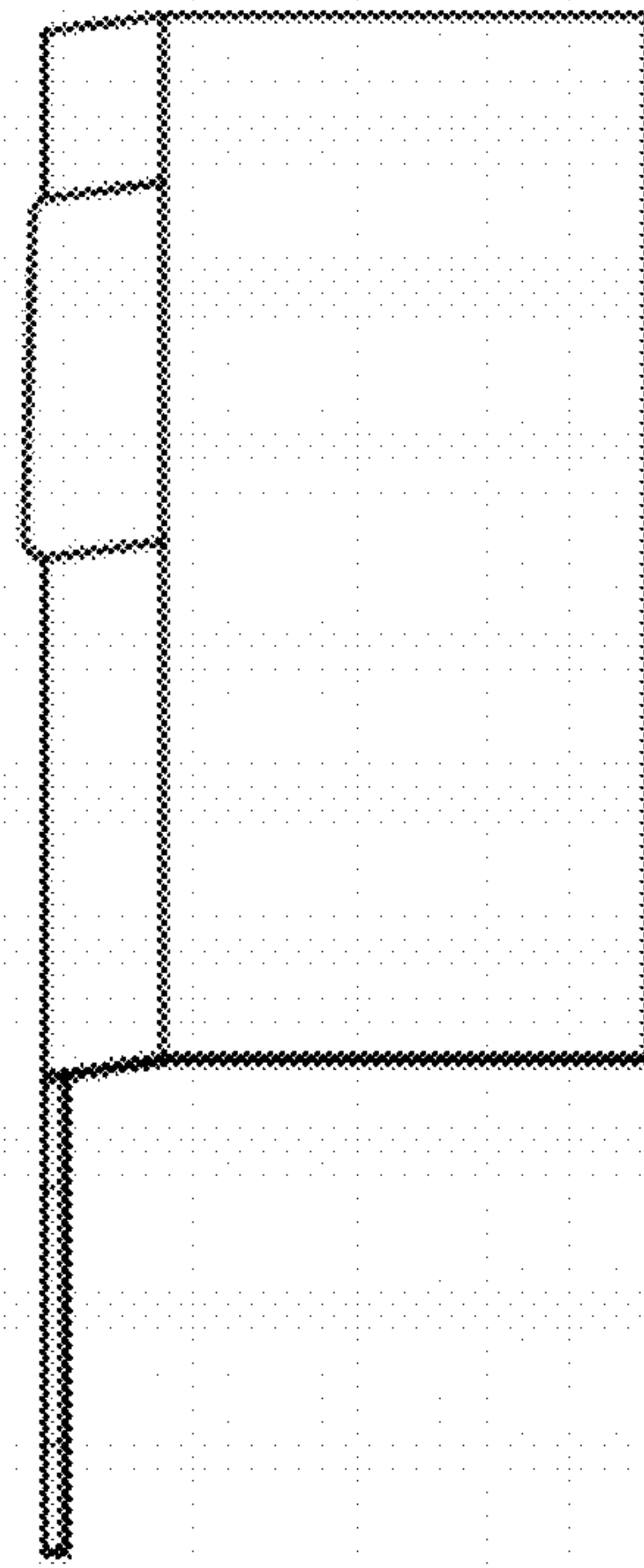


FIG. 5

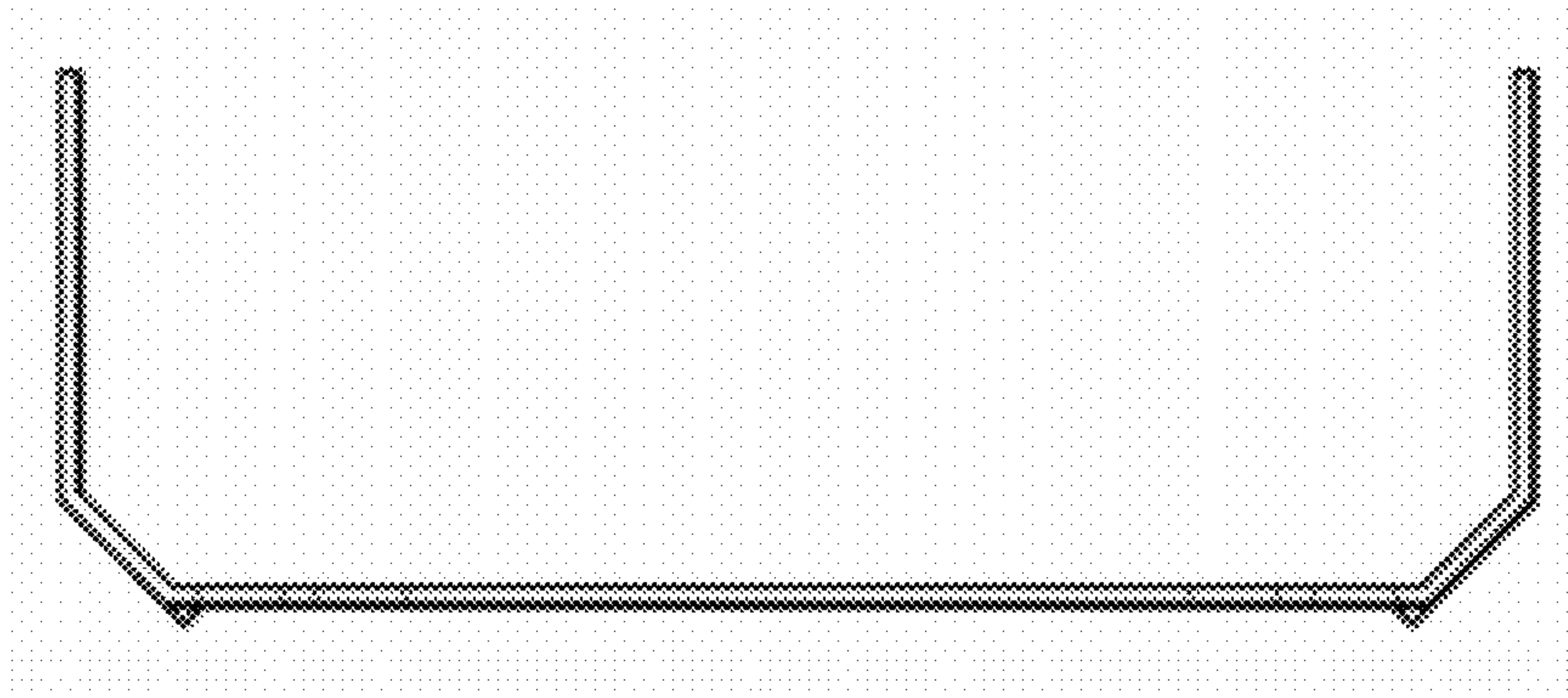


FIG. 6

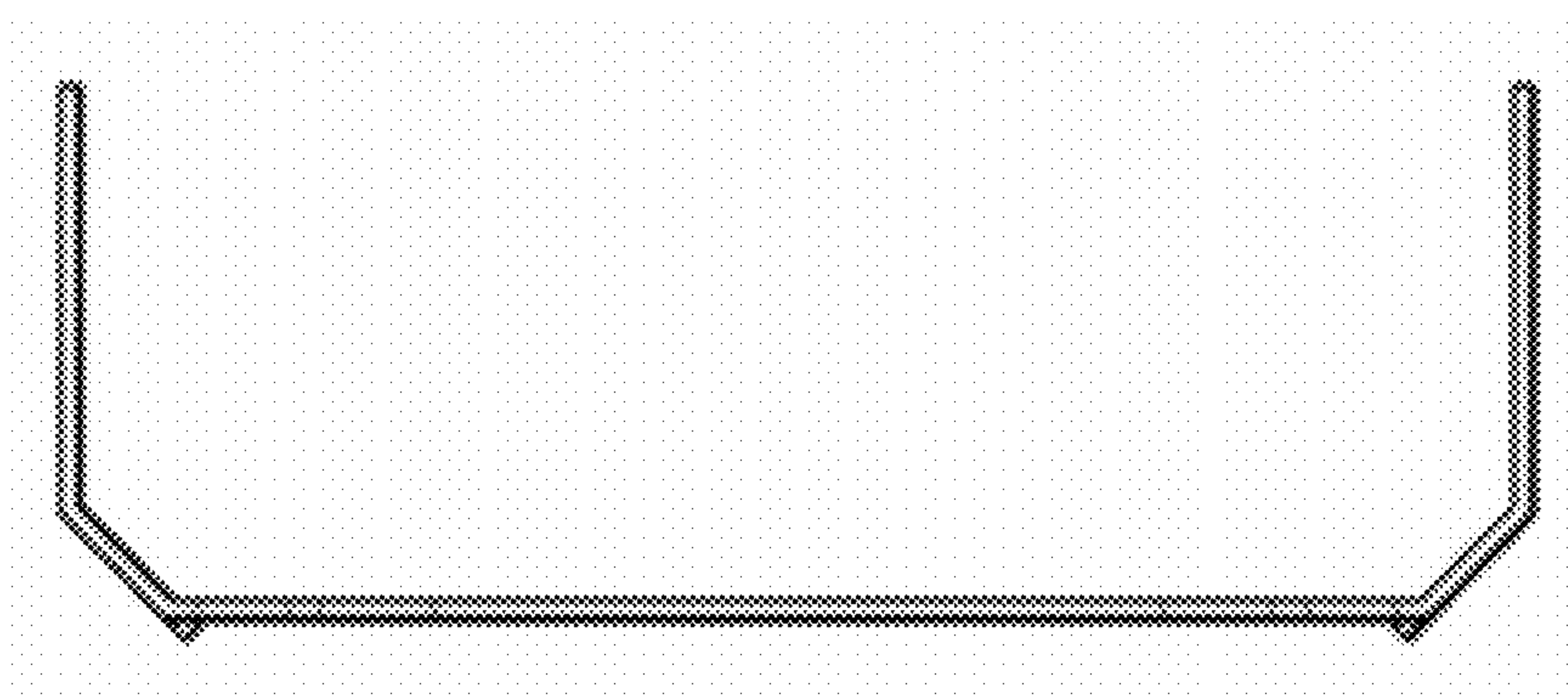


FIG. 7

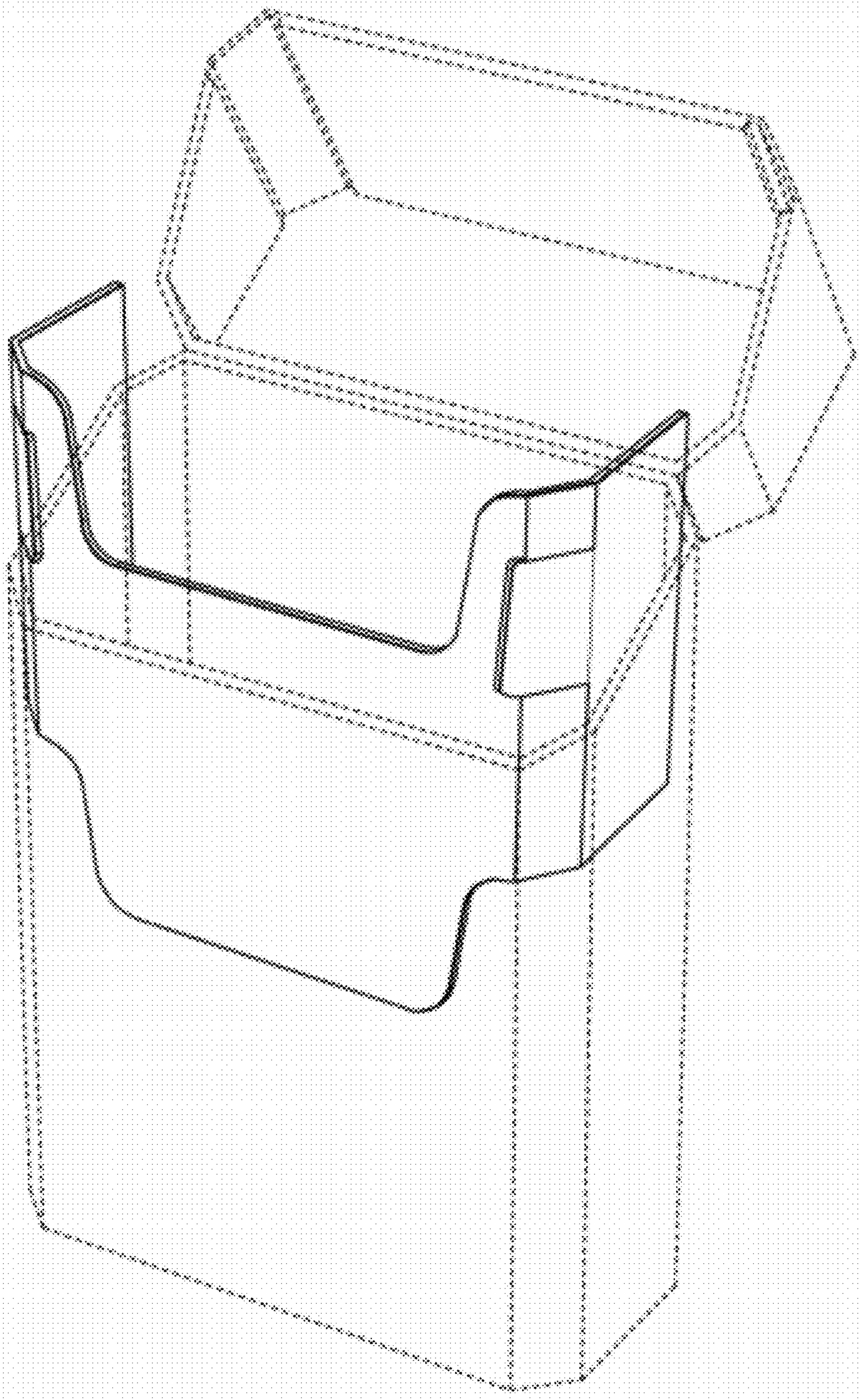


FIG. 8

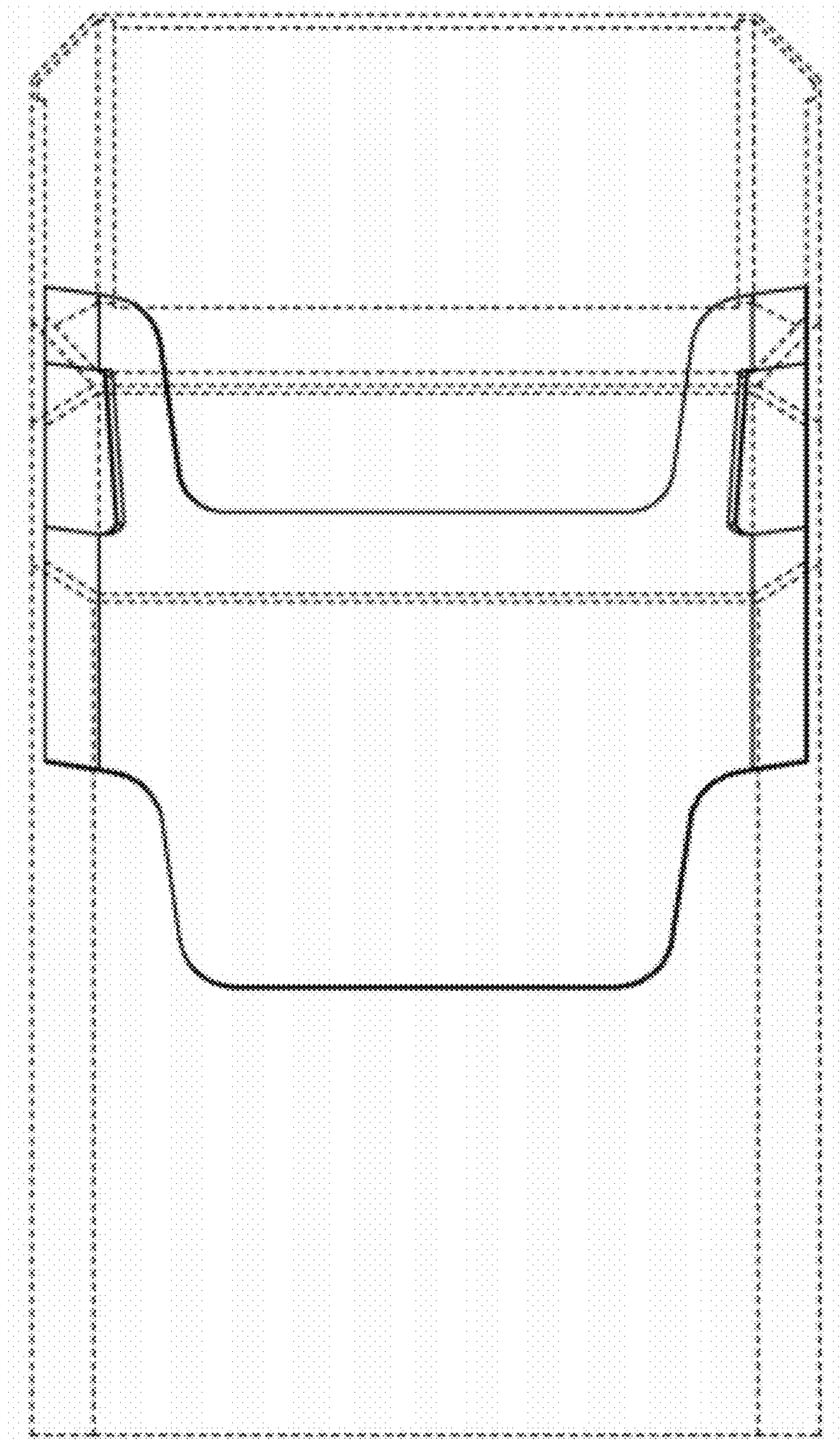


FIG. 9

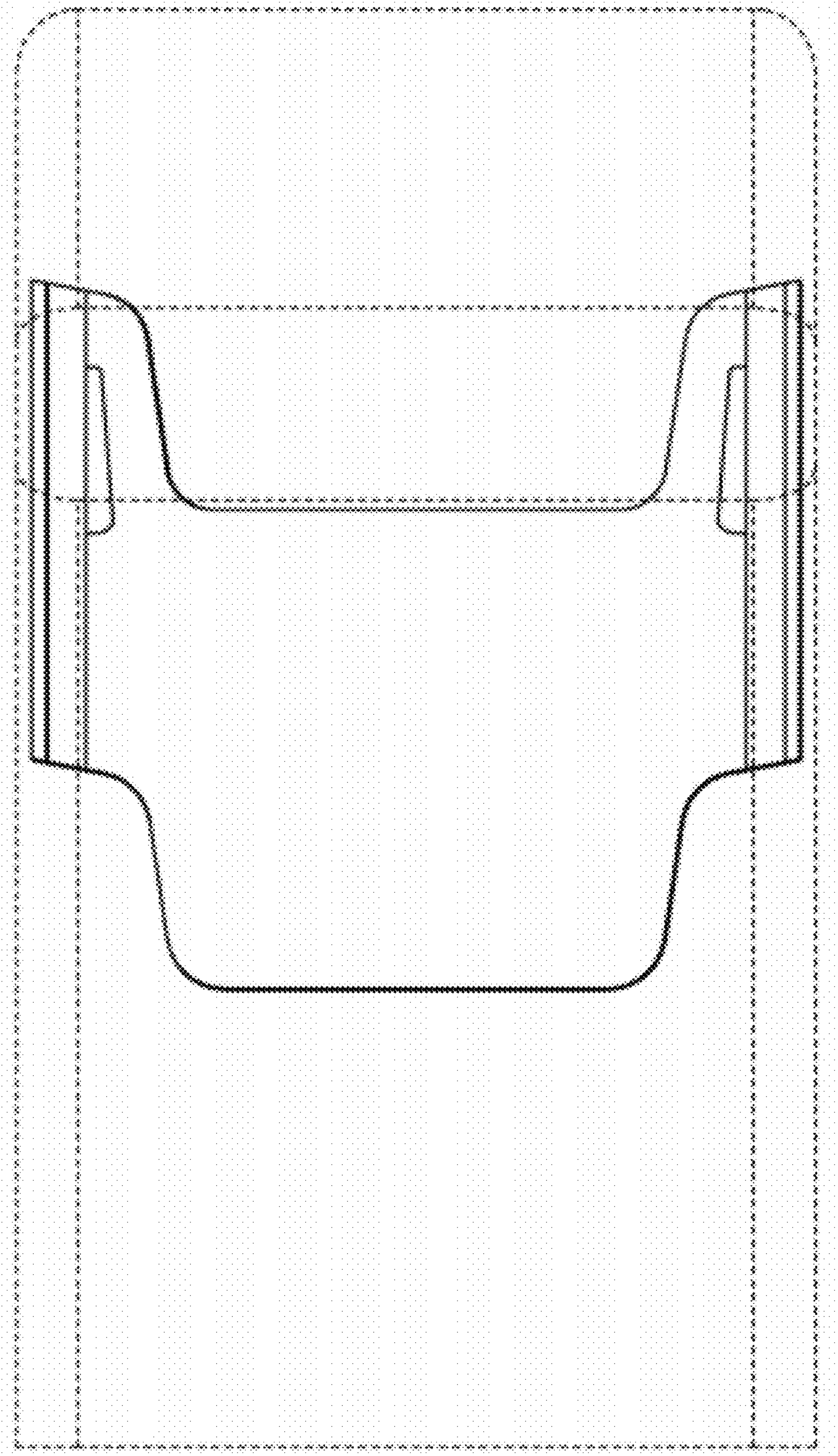


FIG. 10

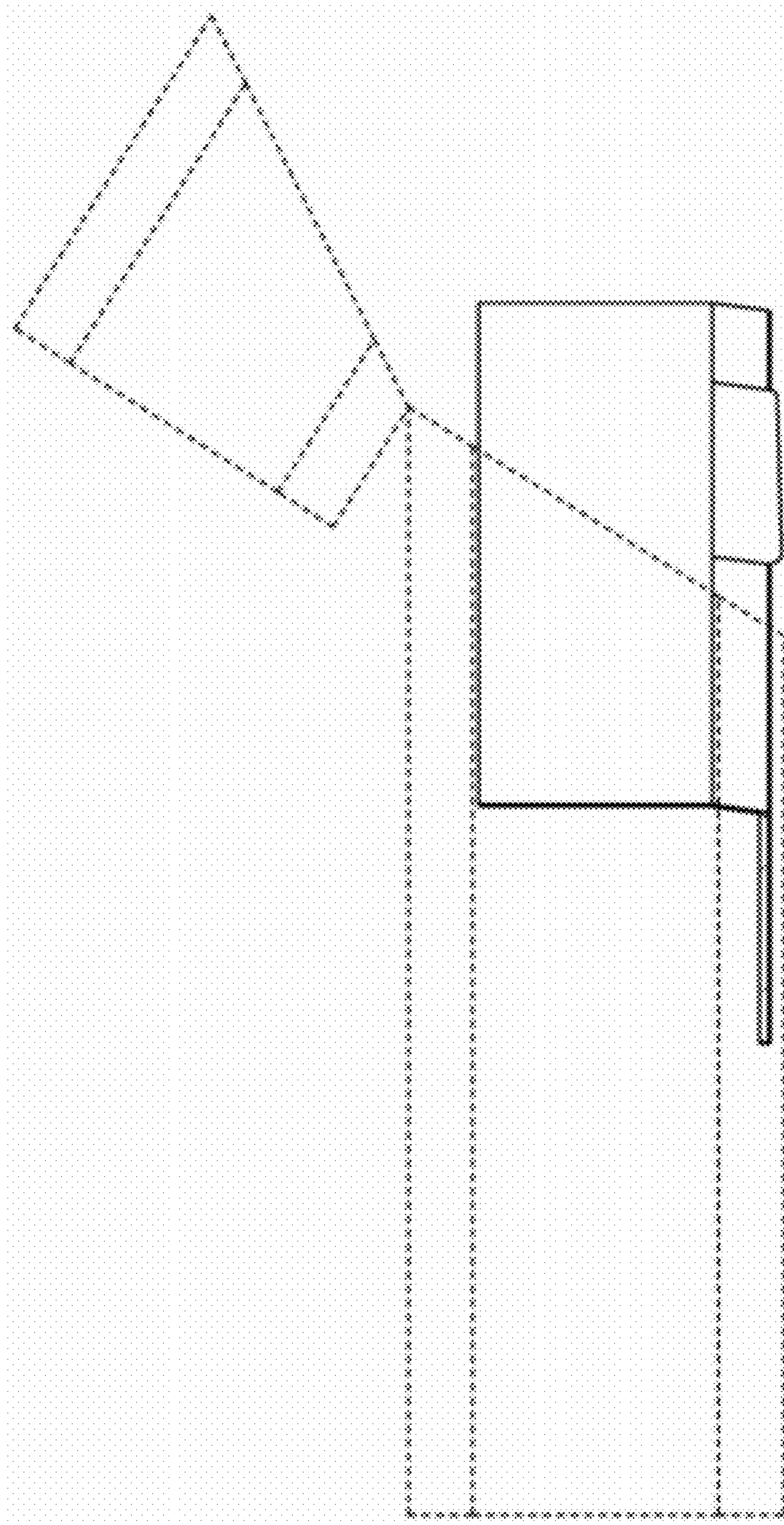


FIG. 11

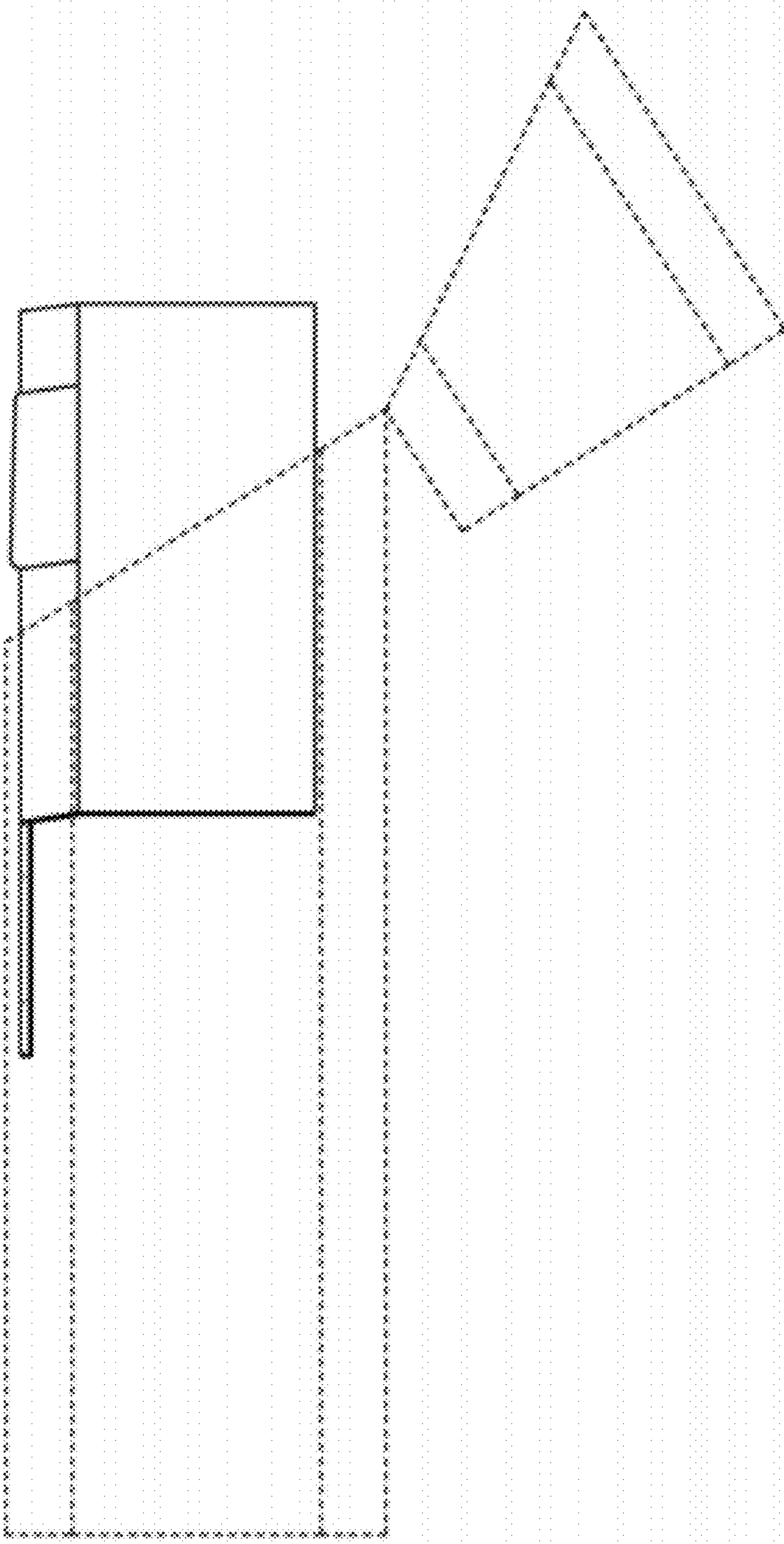


FIG. 12

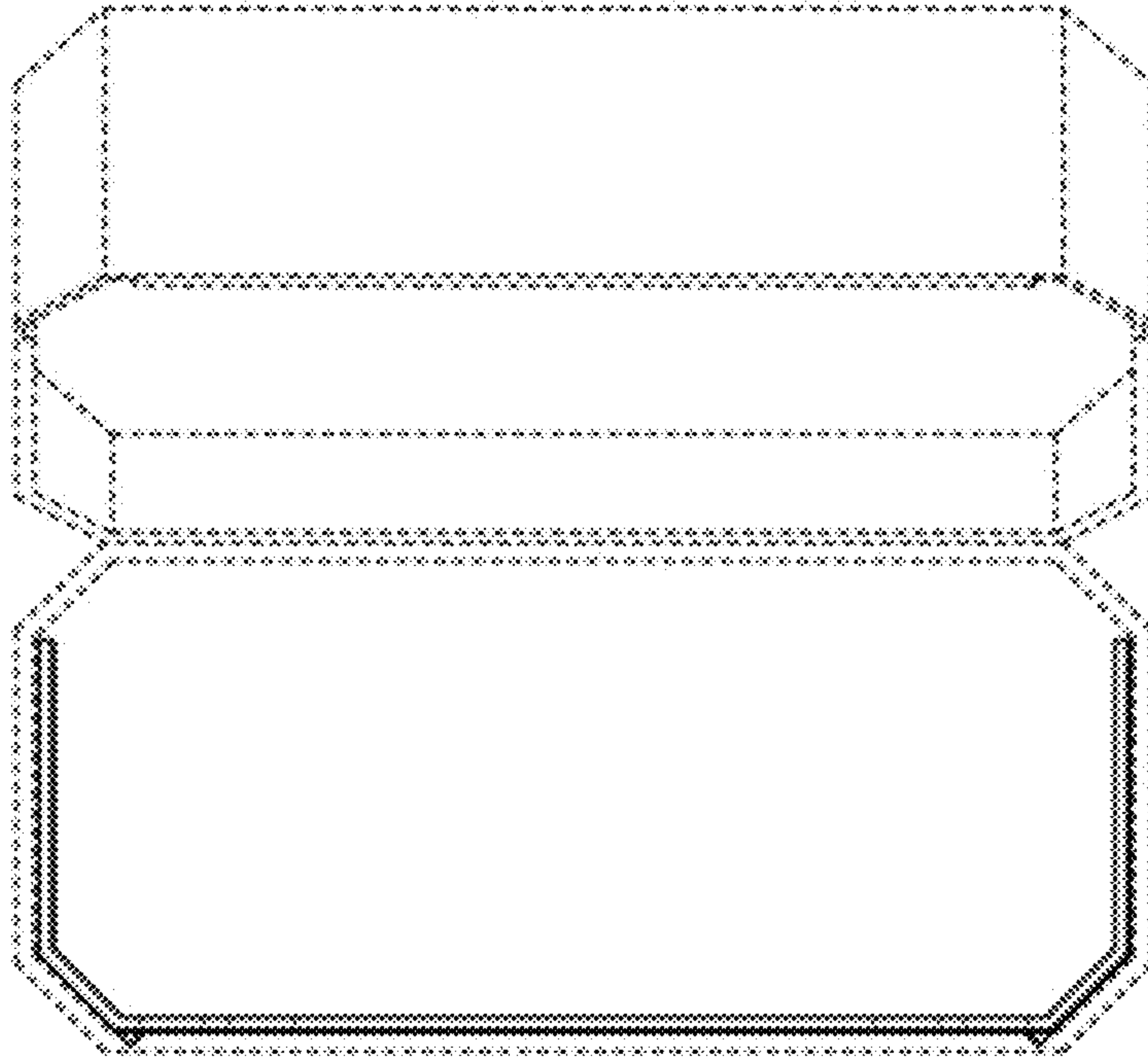


FIG. 13

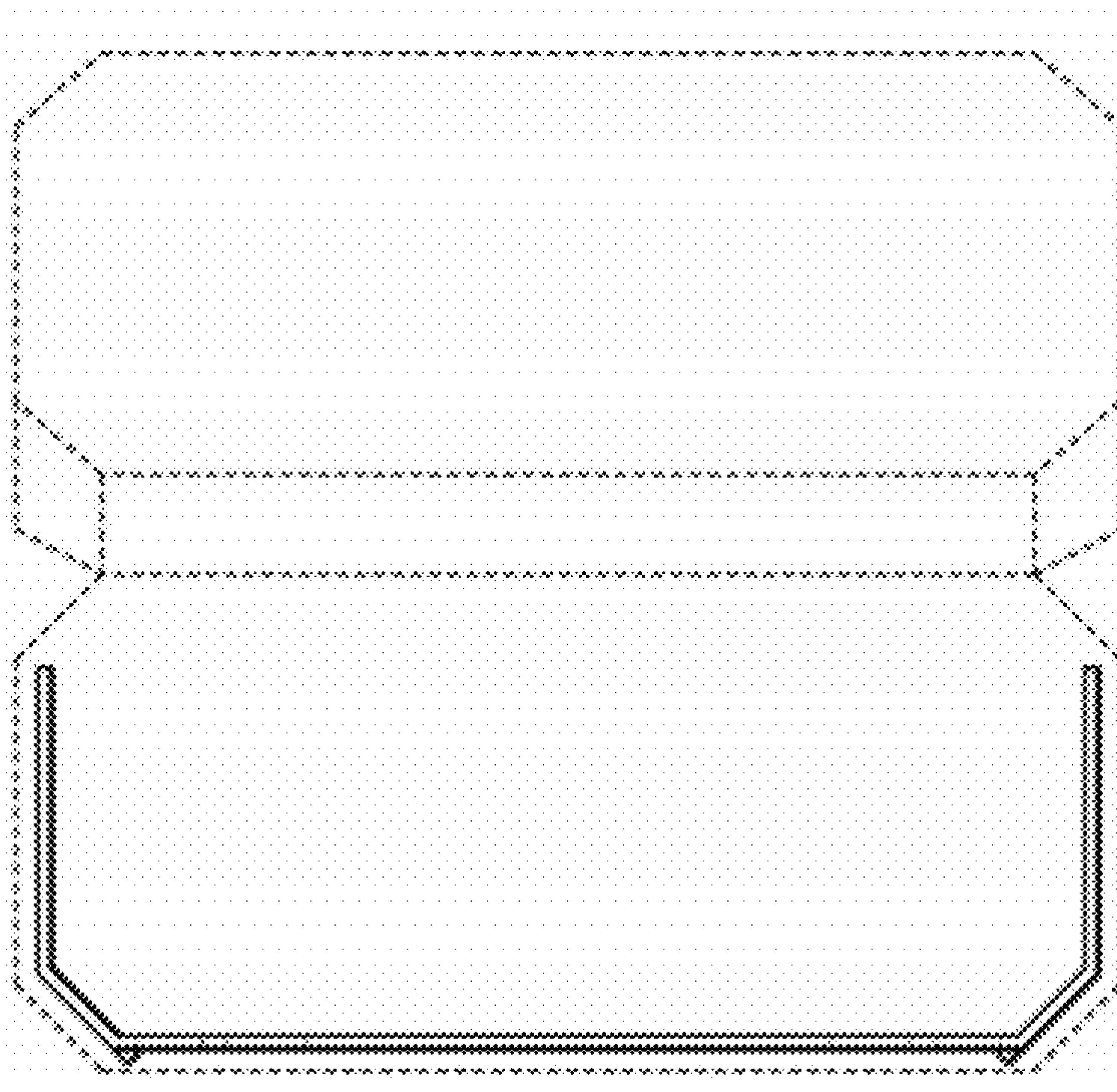


FIG. 14

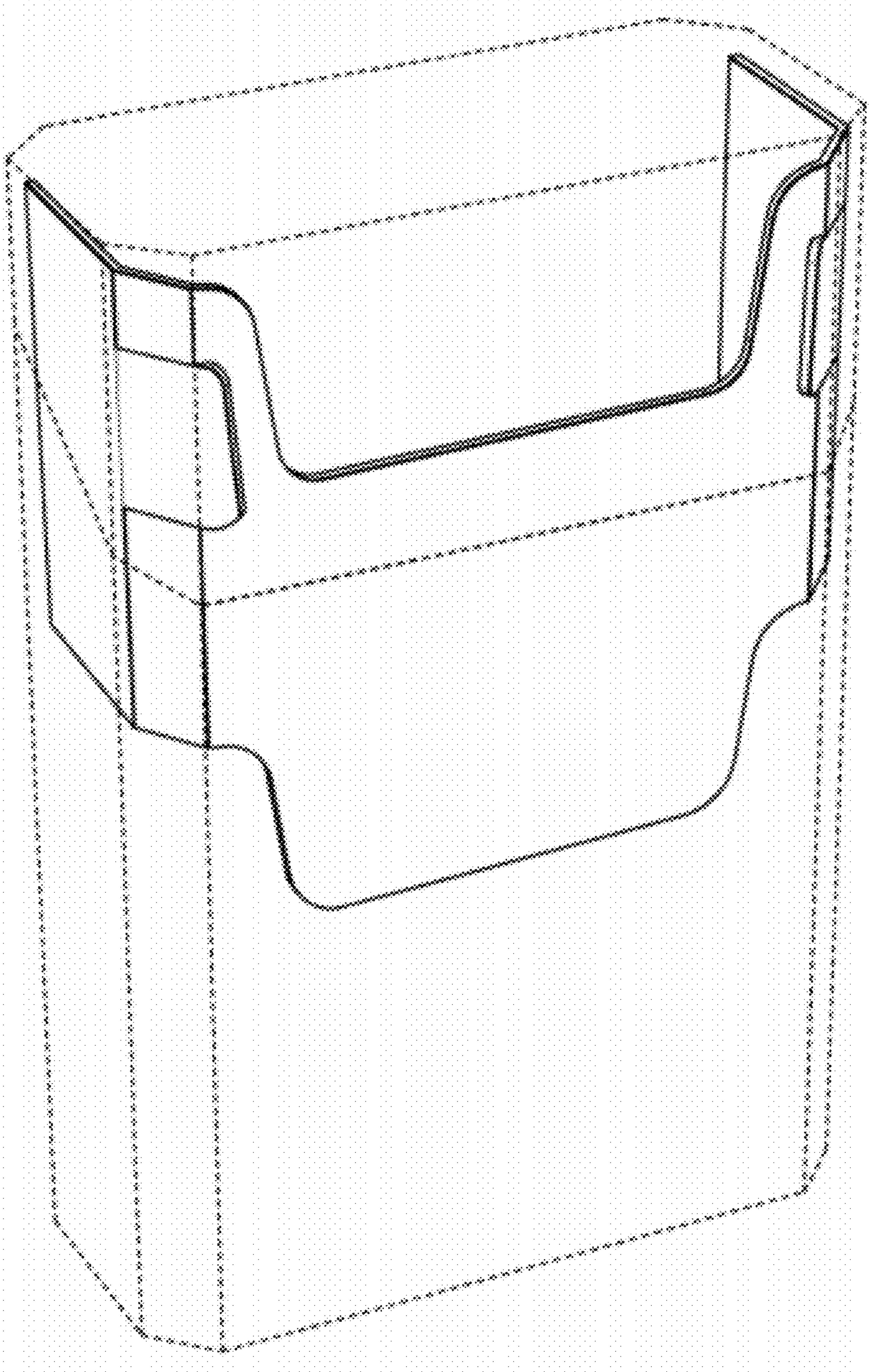


FIG. 15

UNITED STATES PATENT AND TRADEMARK OFFICE
CERTIFICATE OF CORRECTION

PATENT NO. : D666,100 S
APPLICATION NO. : 29/413187
DATED : August 28, 2012
INVENTOR(S) : Gary Fallon

Page 1 of 1

It is certified that error appears in the above-identified patent and that said Letters Patent is hereby corrected as shown below:

On the title page:

Add item -- (30) Foreign Application Priority Data
Aug. 10, 2010 (WO) DM/074217 --

Signed and Sealed this
Third Day of September, 2013



Teresa Stanek Rea
Acting Director of the United States Patent and Trademark Office