

US00D666096S

(12) **United States Design Patent**
Cummings et al.

(10) **Patent No.:** **US D666,096 S**
(45) **Date of Patent:** **** Aug. 28, 2012**

(54) **CAP FOR A CONTAINER**
(75) Inventors: **Bruce Cummings**, New York, NY (US);
Jason Campbell, Chicago, IL (US)
(73) Assignee: **Colgate-Palmolive Company**, New
York, NY (US)

D341,315 S 11/1993 Seymour
5,318,183 A 6/1994 Cohen et al.
D350,482 S * 9/1994 Hu et al. D9/448
5,399,556 A 3/1995 Clitherow et al.
D358,760 S * 5/1995 Sherman et al. D9/697
(Continued)

(**) Term: **14 Years**
(21) Appl. No.: **29/378,213**

FOREIGN PATENT DOCUMENTS
AU 142485 S 12/2000
(Continued)

(22) Filed: **Nov. 1, 2010**
(51) **LOC (9) Cl.** **09-07**
(52) **U.S. Cl.** **D9/449; D9/447; D9/454**
(58) **Field of Classification Search** D9/454,
D9/452, 449, 447, 440, 436, 435, 697, 422,
D9/433, 432, 430, 434, 420; D7/392.1; 222/566,
222/521, 494; 220/837, 835, 811, 810, 713,
220/375, 260, 254.7, 254.3, 254.1; 215/322,
215/321, 306, 305, 237, 235; 206/828, 734,
206/540, 539, 538, 219, 216; 229/906.1;
D23/213

Primary Examiner — Susan Bennett Hattan
(74) *Attorney, Agent, or Firm* — Judy W. Chung

See application file for complete search history.

(57) **CLAIM**
The ornamental design for a cap for a container, as shown and
described.

(56) **References Cited**

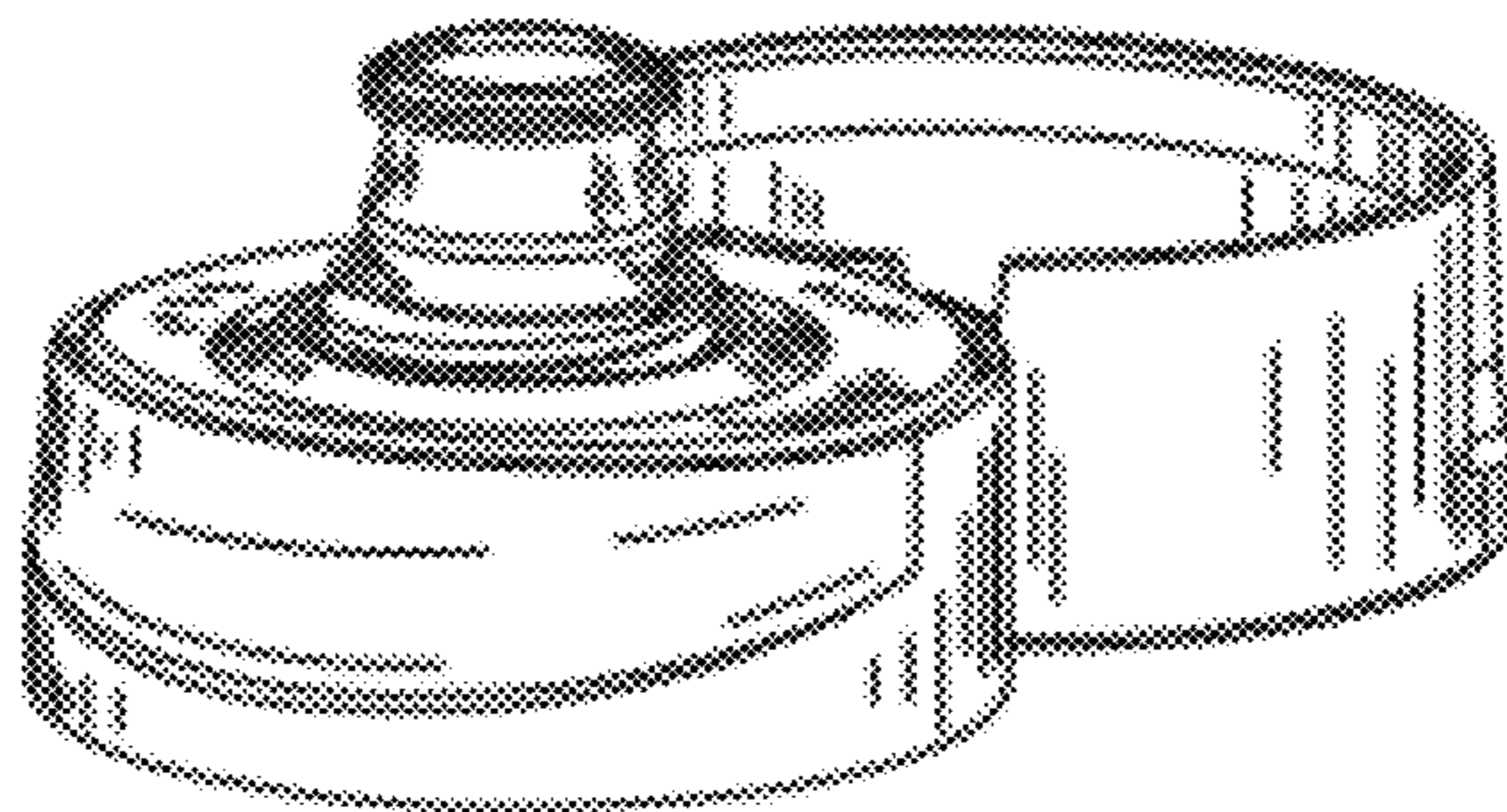
DESCRIPTION

U.S. PATENT DOCUMENTS

4,169,547	A	10/1979	Newell	
4,353,365	A	10/1982	Hallworth et al.	
D277,459	S	2/1985	Baum et al.	
4,627,432	A	12/1986	Newell et al.	
4,678,106	A	7/1987	Newell et al.	
4,739,906	A *	4/1988	LoTurco	222/494
4,817,822	A	4/1989	Rand et al.	
4,854,473	A *	8/1989	Dubach	215/235
5,031,610	A	7/1991	Armstrong et al.	
5,040,353	A	8/1991	Evans et al.	
5,137,026	A	8/1992	Waterson et al.	
5,137,516	A	8/1992	Rand et al.	
5,158,194	A	10/1992	Sirgo et al.	
5,167,626	A	12/1992	Casper et al.	
5,170,801	A	12/1992	Casper et al.	
5,174,475	A	12/1992	Day et al.	
5,187,921	A	2/1993	Wilson et al.	
5,221,688	A	6/1993	Clitherow et al.	
D340,186	S	10/1993	Rand et al.	

FIG. 1 is a front, perspective view of a cap for a container
according to the new design shown mounted on a container in
an open state;
FIG. 2 is rear, perspective view thereof;
FIG. 3 is a front view thereof;
FIG. 4 is a rear view thereof;
FIG. 5 is a left side view thereof;
FIG. 6 is a right side view thereof;
FIG. 7 is a top view thereof;
FIG. 8 is a bottom view thereof;
FIG. 9 is a front, perspective view of a cap for a container
according to the new design shown in an open state and free
of any container;
FIG. 10 is rear, perspective view thereof;
FIG. 11 is a front view thereof;
FIG. 12 is a rear view thereof;
FIG. 13 is a left side view thereof;
FIG. 14 is a right side view thereof;
FIG. 15 is a top view thereof; and,
FIG. 16 is a bottom view thereof.
All broken lines shown in the drawings are for environmental
purposes only and form no part of the claimed design.

1 Claim, 8 Drawing Sheets



US D666,096 S

U.S. PATENT DOCUMENTS

D370,726	S	6/1996	Padfield	
5,556,639	A	9/1996	Fielden	
D379,307	S	5/1997	Marriage	
5,629,016	A	5/1997	Fielden et al.	
5,657,749	A	8/1997	Cox	
5,660,860	A	8/1997	Fielden	
5,697,112	A	12/1997	Colavito et al.	
5,698,226	A	12/1997	Fielden	
5,722,470	A	3/1998	Kedar et al.	
D394,158	S	5/1998	Kramer et al.	
5,762,215	A	6/1998	Ogden	
5,795,788	A	8/1998	Bevan et al.	
D402,202	S *	12/1998	Sherman et al.	D9/447
D411,770	S	7/1999	Jesiolowski	
D413,263	S	8/1999	Pritchard et al.	
D413,444	S	9/1999	Weiss	
D418,064	S	12/1999	Pritchard et al.	
5,996,859	A *	12/1999	Beck	222/556
D418,302	S	1/2000	Landauer	
6,065,472	A	5/2000	Anderson et al.	
6,074,609	A	6/2000	Gavin et al.	
6,076,522	A	6/2000	Dwivedi et al.	
6,098,619	A	8/2000	Britto et al.	
6,116,477	A *	9/2000	Kreiseder et al.	222/556
6,131,566	A	10/2000	Ashurst et al.	
D433,570	S	11/2000	Landauer	
6,143,277	A	11/2000	Ashurst et al.	
6,159,744	A	12/2000	Bevan et al.	
D438,799	S *	3/2001	Anderson	D9/449
D440,843	S	4/2001	Pitassi et al.	
6,238,929	B1	5/2001	Antonenko et al.	
6,253,762	B1	7/2001	Britto	
6,271,038	B1	8/2001	Liu et al.	
6,309,889	B1	10/2001	Cutler et al.	
D450,585	S	11/2001	Kamata	
6,338,408	B1	1/2002	Anderson	
6,342,184	B1	1/2002	Bevan et al.	
D456,141	S	4/2002	Landauer	
D458,759	S	6/2002	Landauer	
D467,433	S	12/2002	Massari et al.	
D477,222	S	7/2003	Pitassi et al.	
6,588,615	B1	7/2003	Pitassi	

D478,982	S	8/2003	Cohen et al.	
D493,014	S	7/2004	Hadtke et al.	
6,792,945	B2	9/2004	Davies et al.	
D505,627	S *	5/2005	Py et al.	D9/697
D508,203	S *	8/2005	Ziegenhorn et al.	D9/449
6,932,229	B2	8/2005	Pitassi	
6,981,499	B2	1/2006	Anderson et al.	
7,009,517	B2	3/2006	Wood	
7,077,129	B2	7/2006	Anderson et al.	
D525,868	S	8/2006	Kolanus et al.	
7,094,224	B2	8/2006	Lourenco et al.	
D532,701	S	11/2006	Spencer	
D537,522	S	2/2007	Cox et al.	
D537,936	S	3/2007	Cox et al.	
D541,154	S *	4/2007	Moribata et al.	D9/449
7,198,172	B2	4/2007	Harvey et al.	
D543,316	S	5/2007	Hadtke et al.	
7,214,209	B2	5/2007	Mazzoni	
7,225,808	B2	6/2007	Davies et al.	
D548,330	S	8/2007	Cox et al.	
7,258,119	B2	8/2007	Mazzoni	
D552,729	S	10/2007	Cox et al.	
D552,992	S	10/2007	Spencer	
7,278,424	B1	10/2007	Davies et al.	
D558,401	S	12/2007	Hadtke et al.	
7,302,948	B2	12/2007	Anderson	
D561,586	S	2/2008	Hadtke et al.	
D573,019	S	7/2008	Spencer	
7,424,888	B2	9/2008	Harvey et al.	
D582,772	S *	12/2008	Bakic	D9/449
7,484,642	B2	2/2009	Bonney	
7,552,728	B2	6/2009	Bonney et al.	
7,713,518	B2	5/2010	Rand	
7,798,368	B2	9/2010	Anderson et al.	

FOREIGN PATENT DOCUMENTS

CZ	24276	5/1993
ES	154724	7/2002
JP	1199356	3/2004
JP	1200031	3/2004
TW	450753	5/1989
TW	135915	7/2010

* cited by examiner

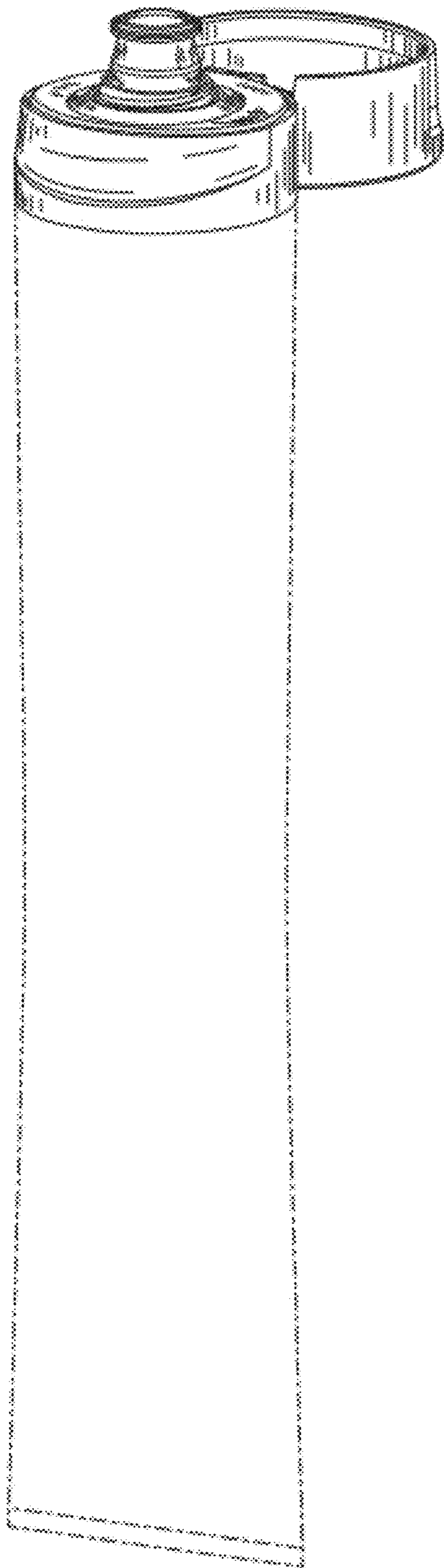


FIG. 1

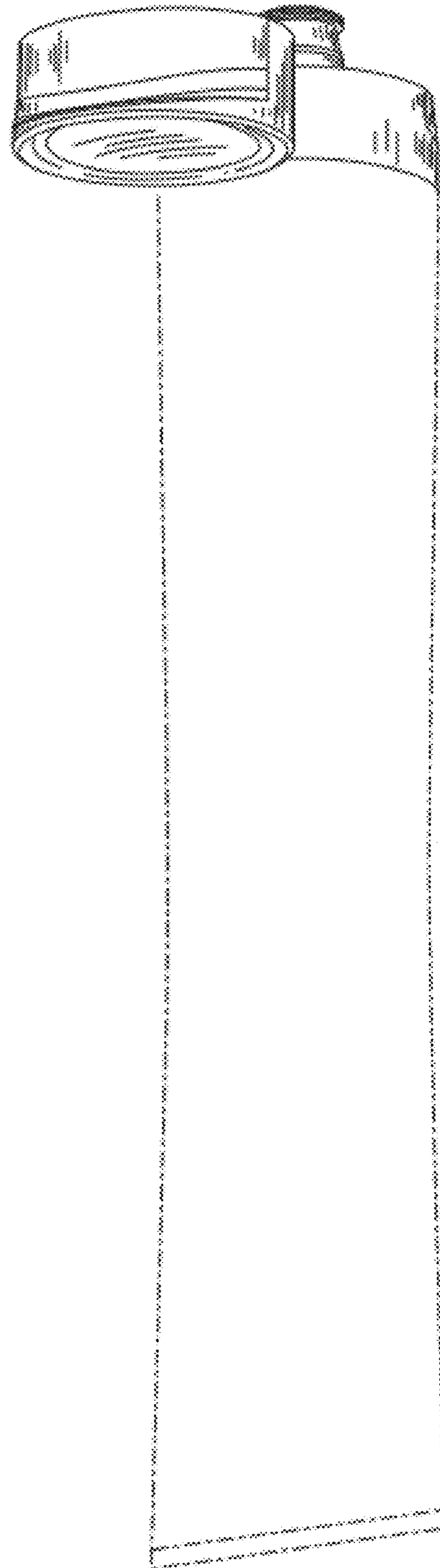


FIG. 2

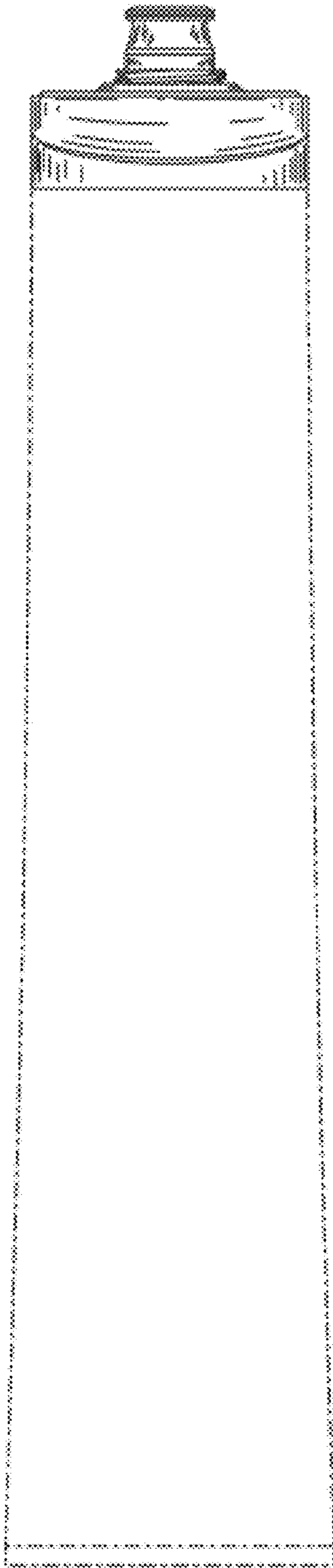


FIG. 3

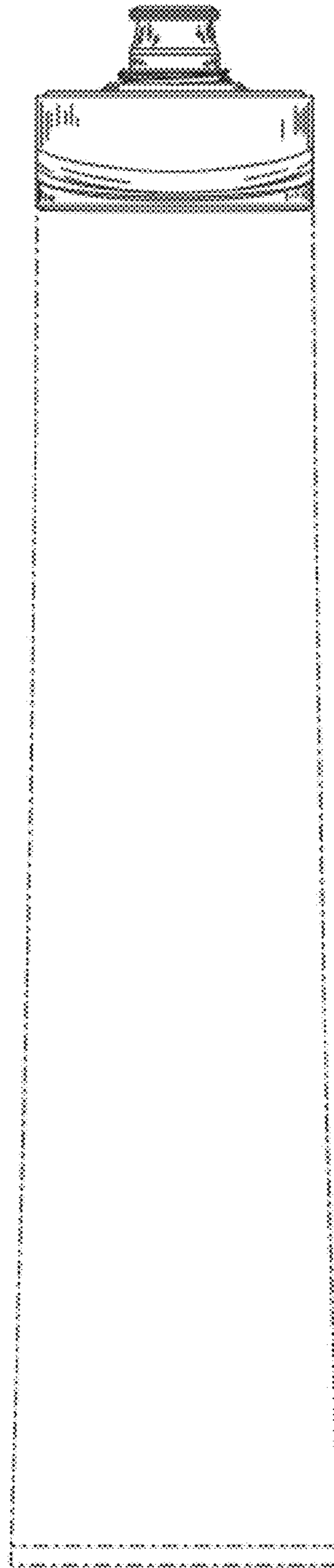


FIG. 4



FIG. 5

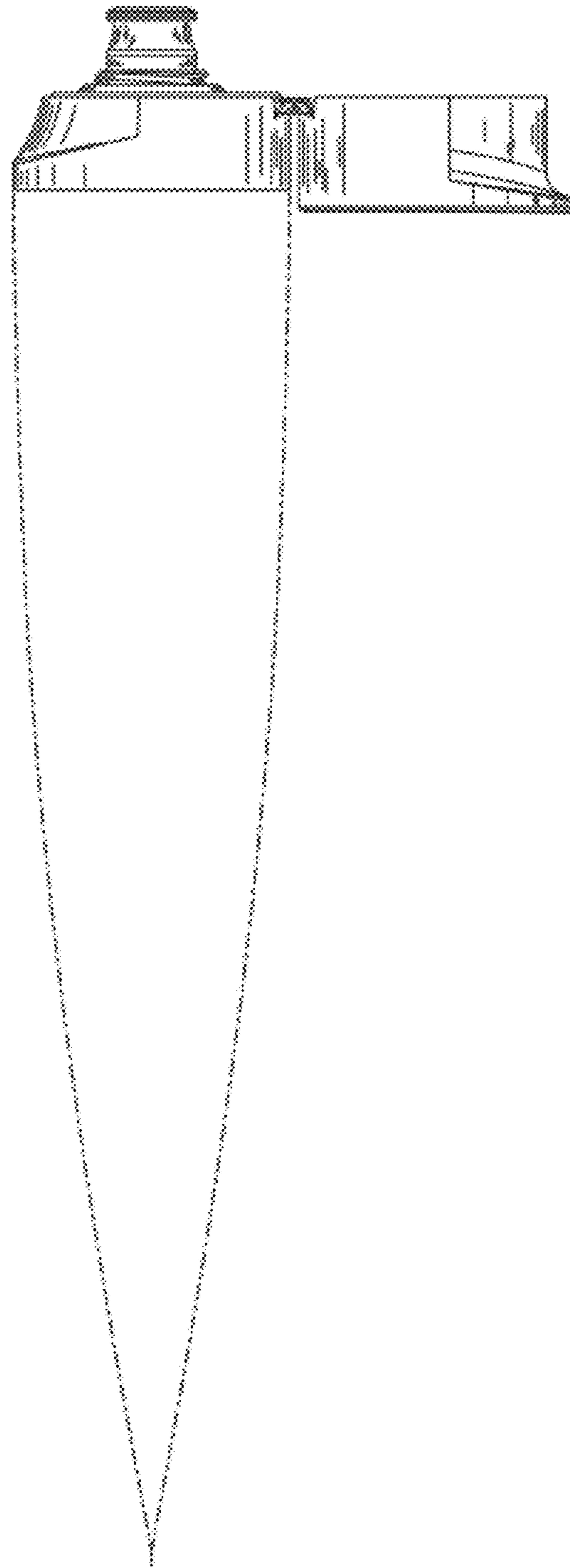


FIG. 6

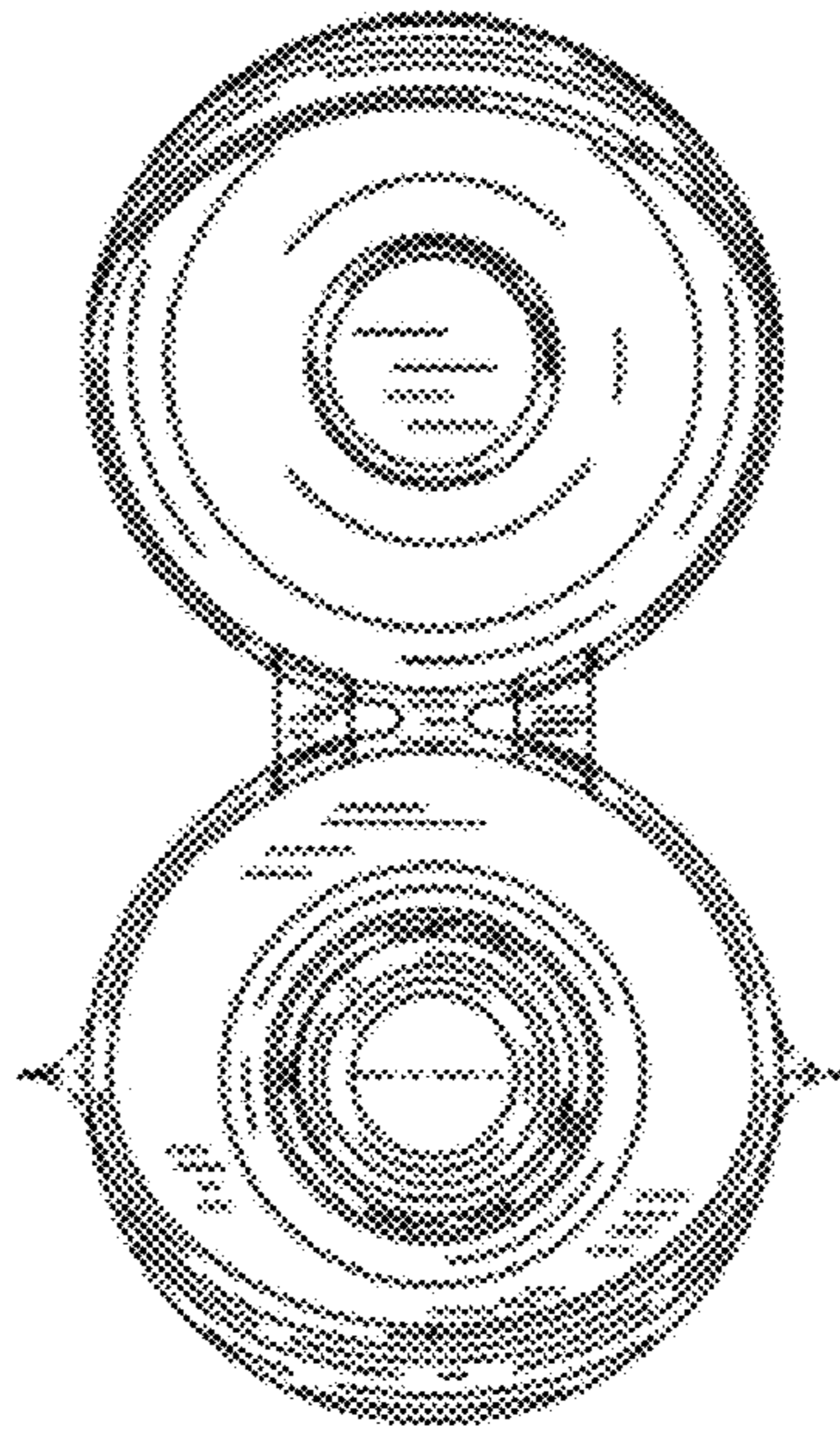


FIG. 7

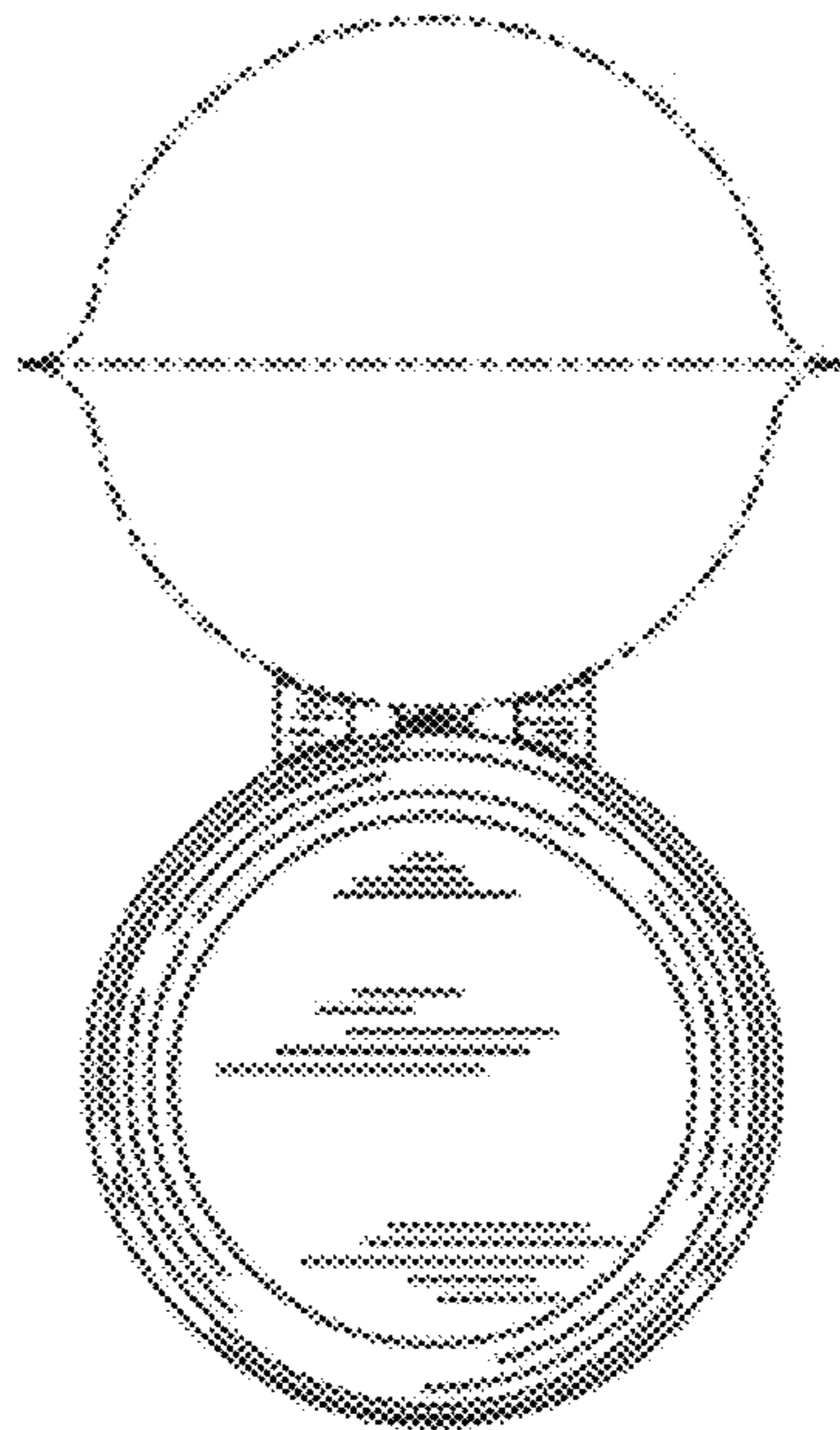


FIG. 8

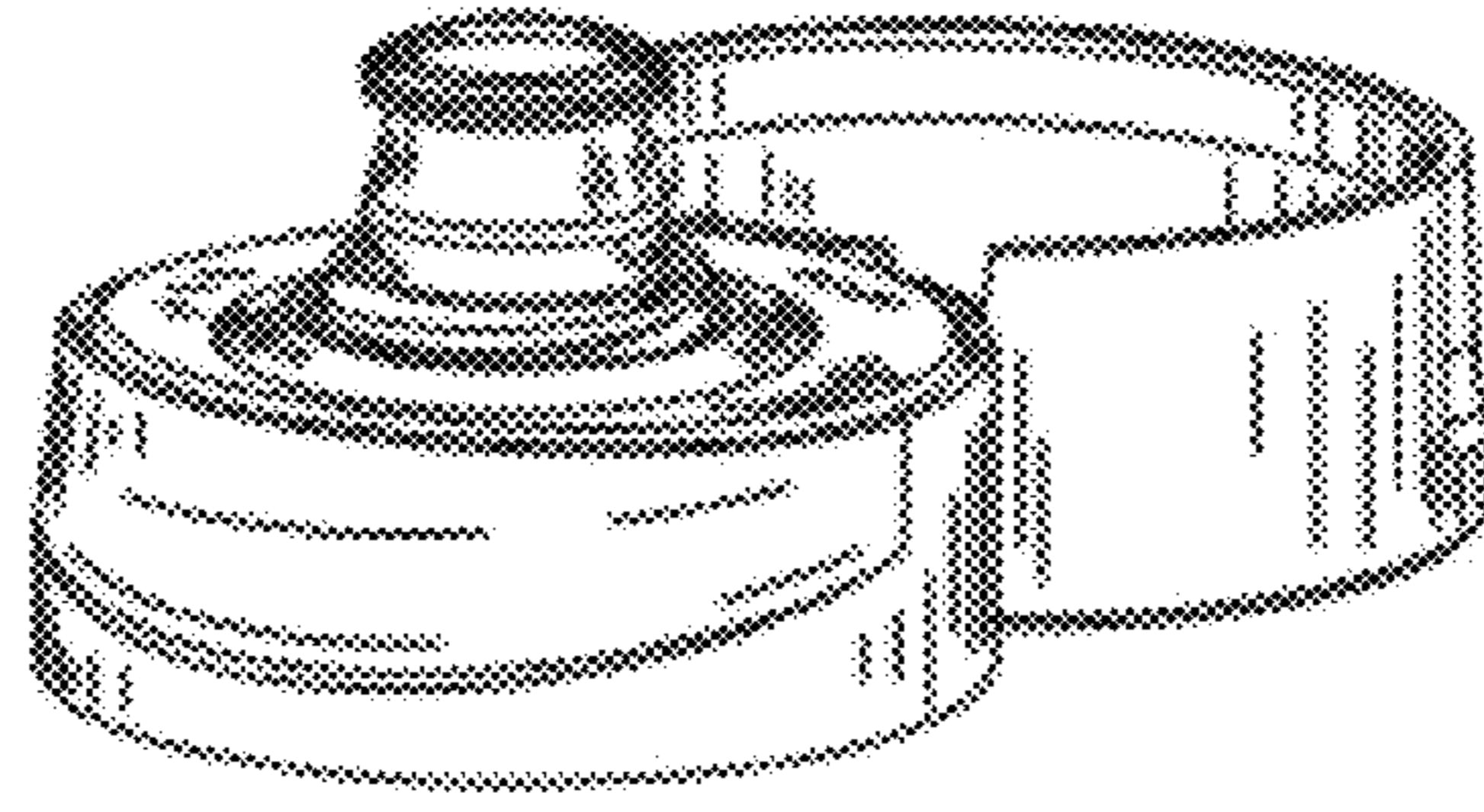


FIG. 9

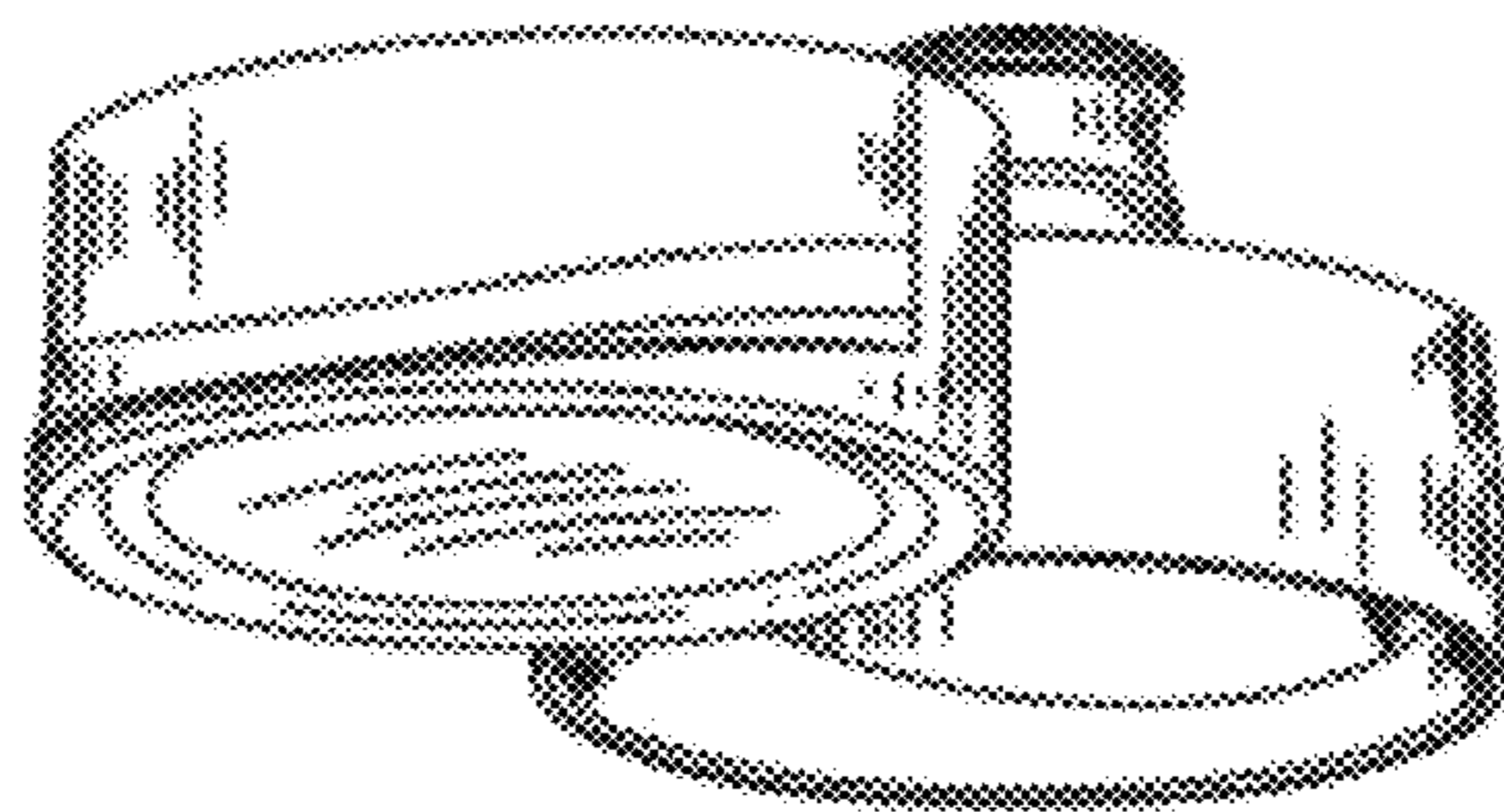


FIG. 10

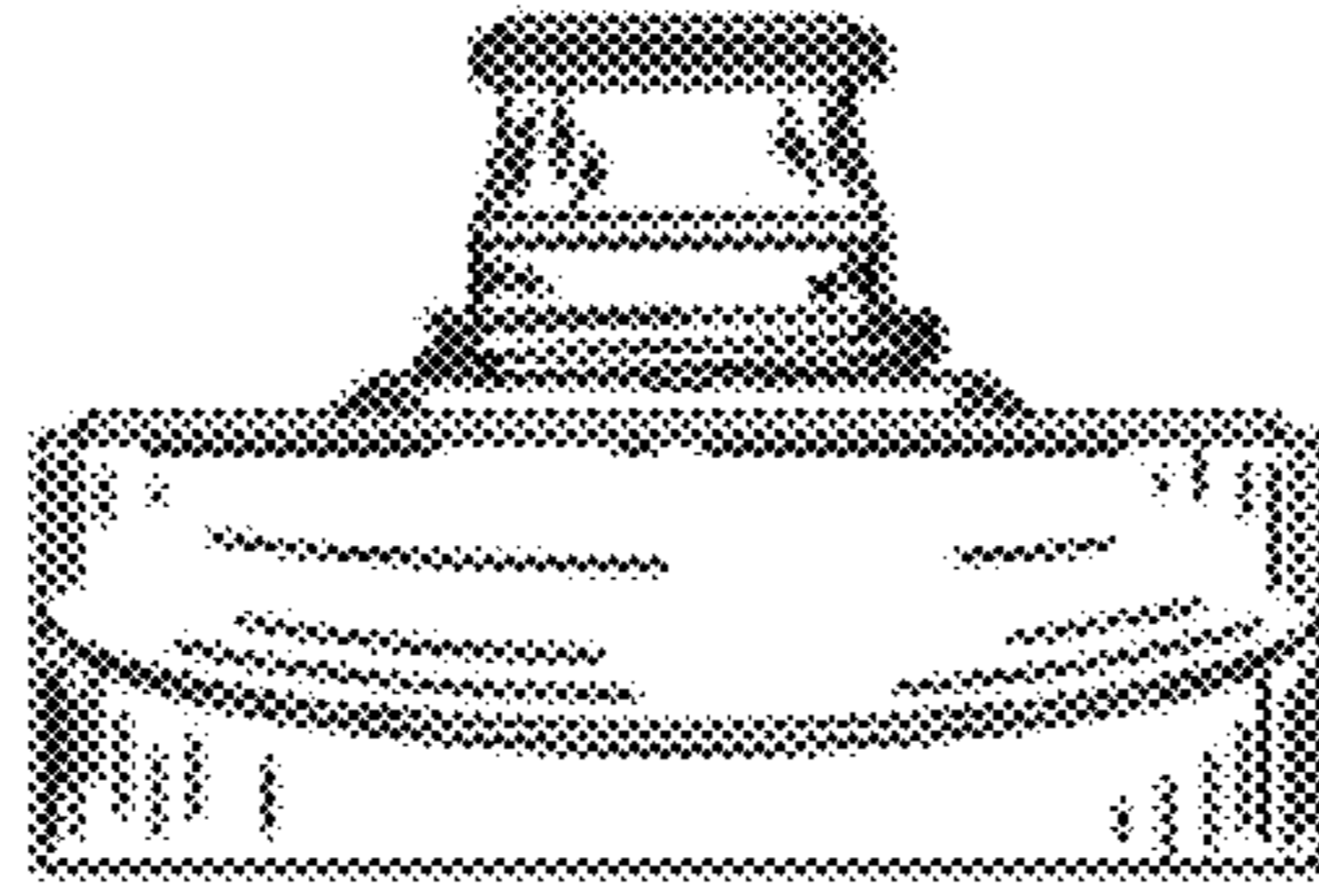


FIG. 11

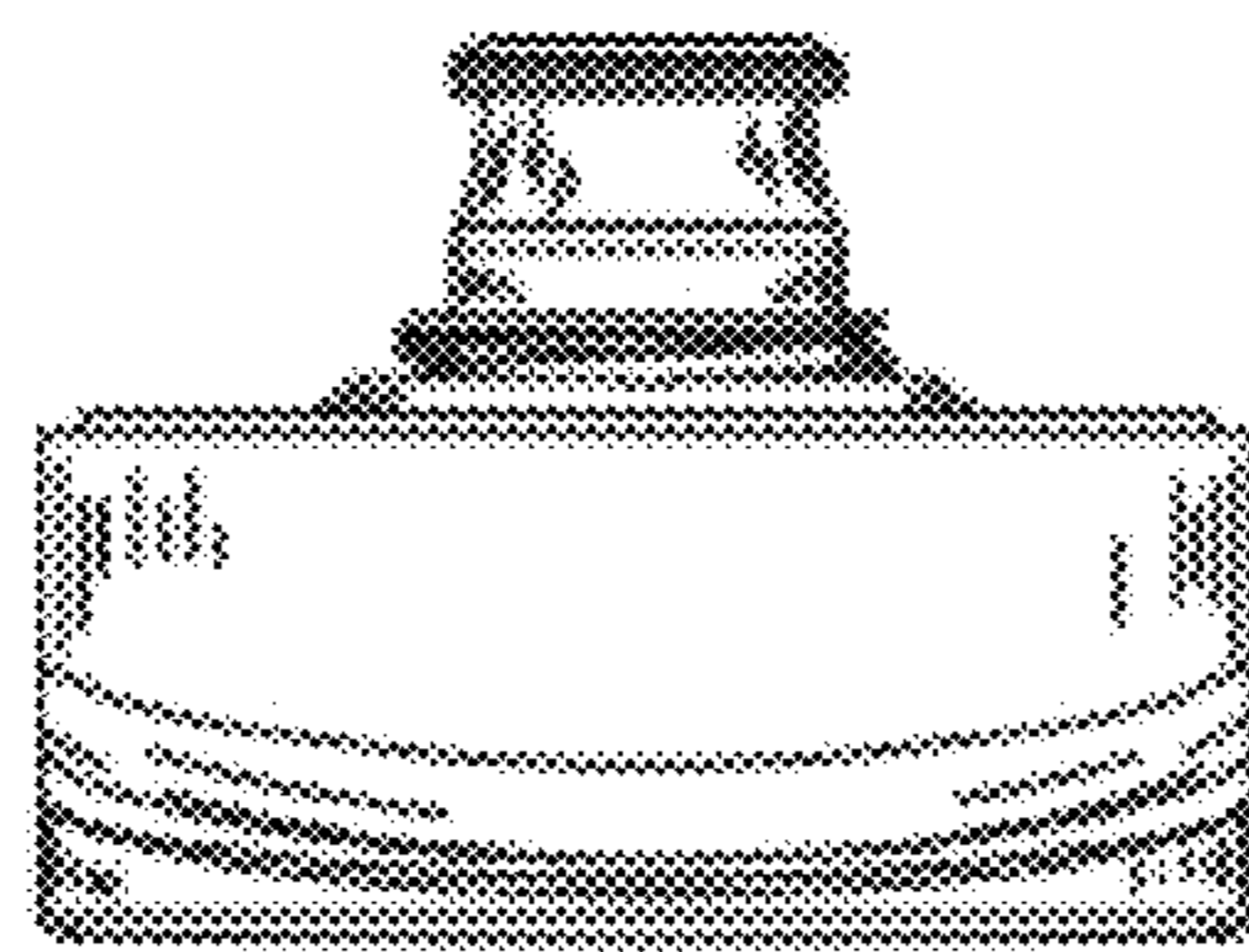


FIG. 12

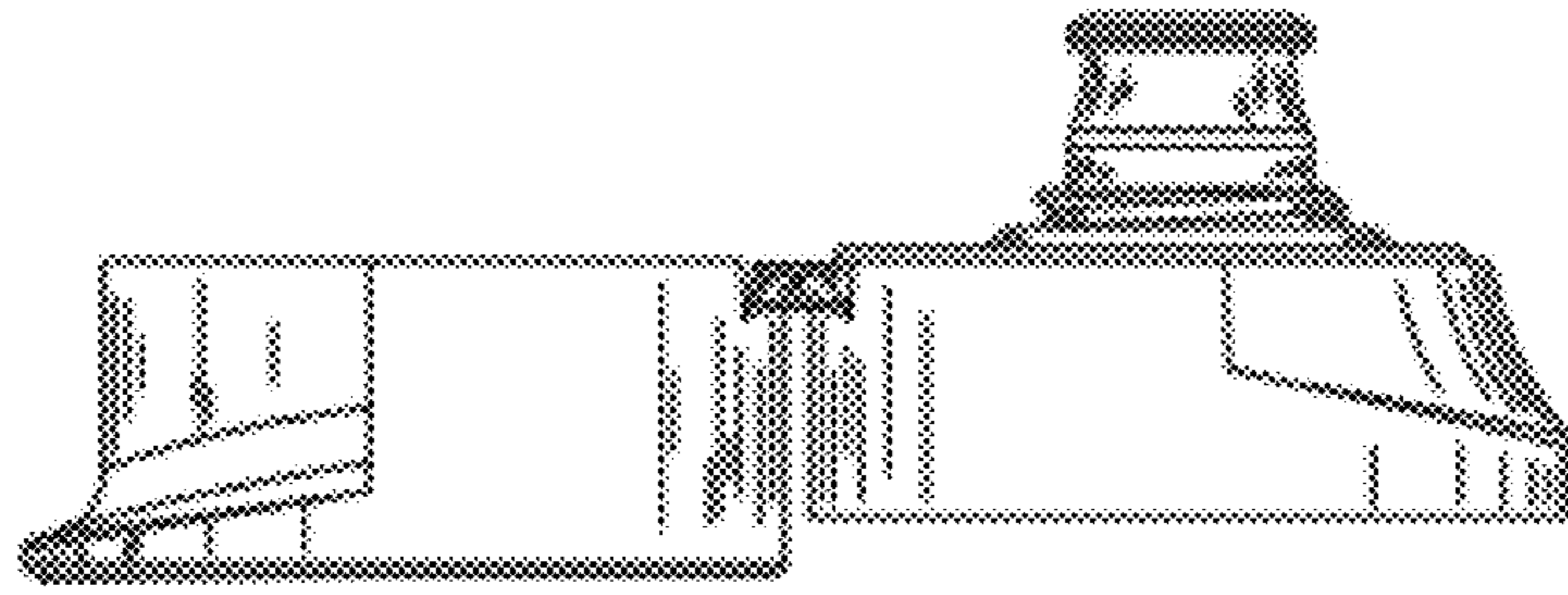


FIG. 13

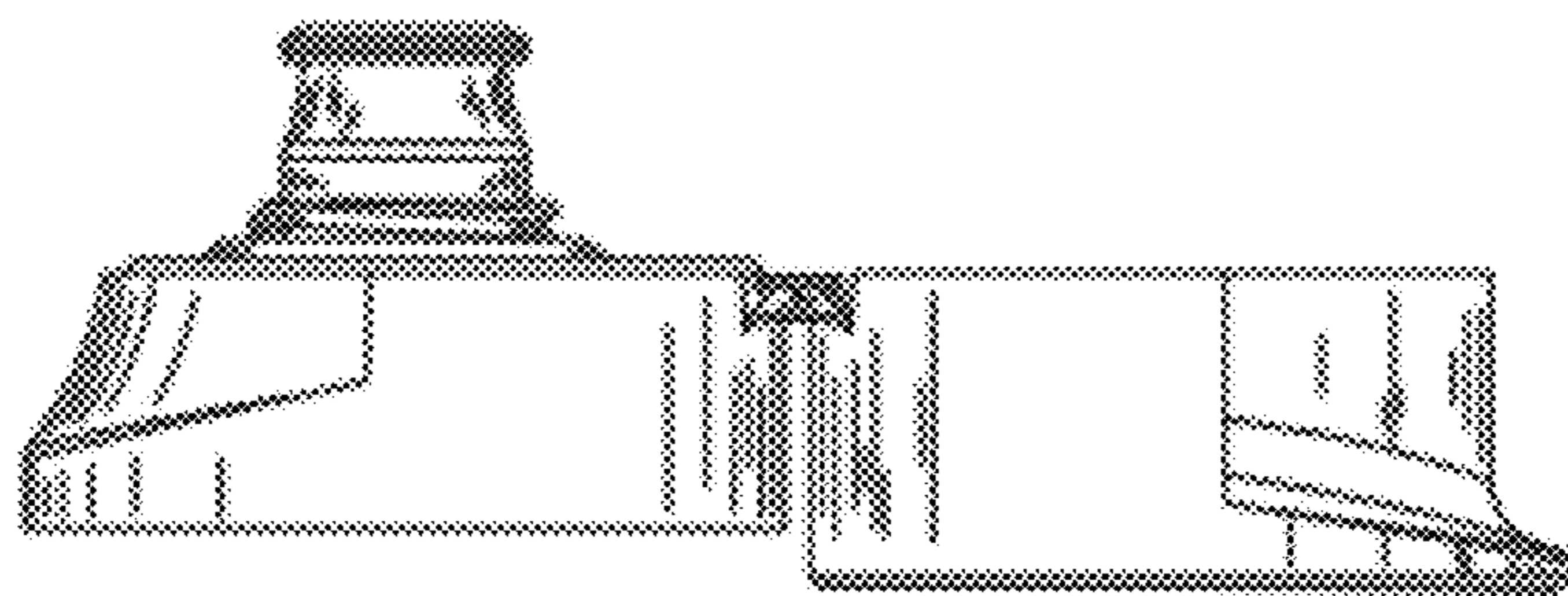


FIG. 14

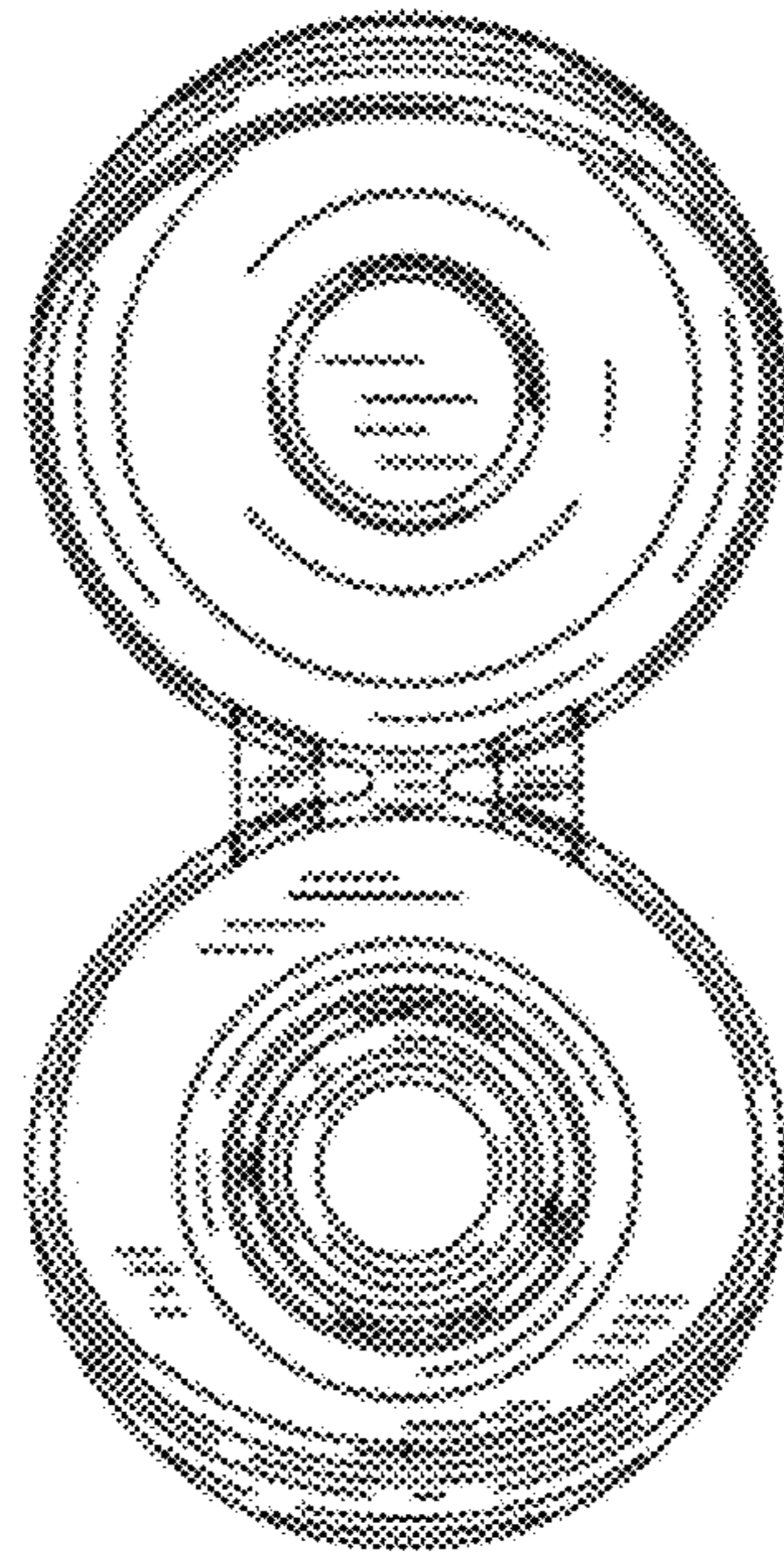


FIG. 15

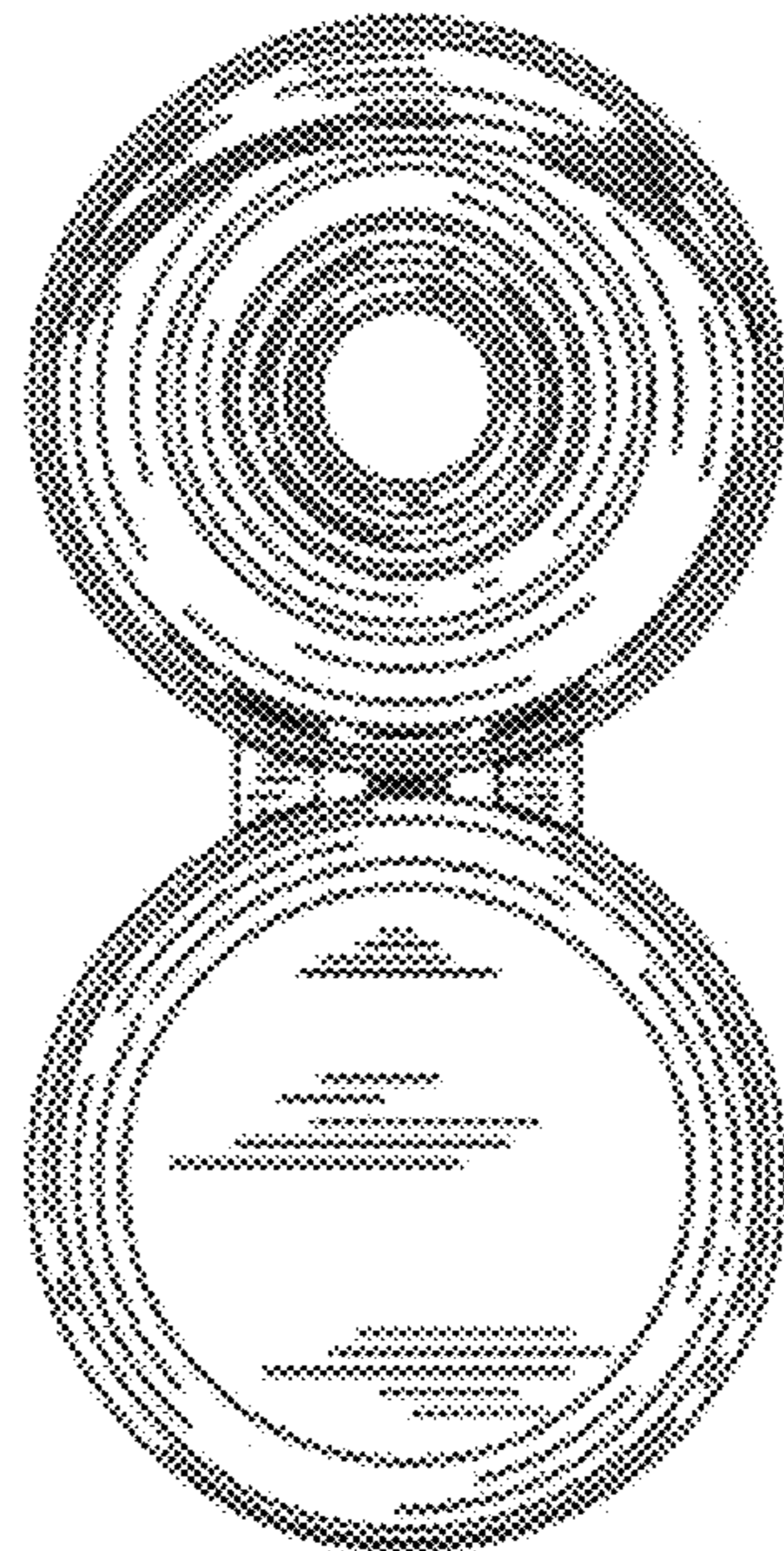


FIG. 16