



US00D666094S

(12) **United States Design Patent**  
**Cho et al.**

(10) **Patent No.:** **US D666,094 S**

(45) **Date of Patent:** **\*\* Aug. 28, 2012**

(54) **FLUID DISPENSING ACTUATOR**

(75) Inventors: **Sean H. Cho**, Elgin, IL (US); **Peter J. Walters**, Barrington, IL (US)

(73) Assignee: **AptarGroup, Inc.**, Crystal Lake, IL (US)

(\*\*) Term: **14 Years**

(21) Appl. No.: **29/396,874**

(22) Filed: **Jul. 8, 2011**

(51) **LOC (9) Cl.** ..... **09-07**

(52) **U.S. Cl.** ..... **D9/448**

(58) **Field of Classification Search** ..... D9/688,  
D9/686, 682, 454, 448, 445, 44; D6/544,  
D6/542; D28/76; D23/255, 252, 238; 222/630,  
222/631, 566, 402.22, 402.13, 402.1, 401,  
222/330, 331, 252, 153.07, 135  
See application file for complete search history.

(56) **References Cited**

**U.S. PATENT DOCUMENTS**

2,894,660	A	7/1959	Gordon	
2,921,722	A *	1/1960	Focht	222/402.13
2,982,448	A	5/1961	Leonard et al.	
D204,213	S	3/1966	Huling et al.	
3,558,019	A	1/1971	Hug	
4,219,135	A	8/1980	Ufferfilge	
D536,971	S *	2/2007	Arminak	D9/448
7,523,845	B2 *	4/2009	Eberhardt	222/402.13

**OTHER PUBLICATIONS**

3-sheet printout of a portion of a website of Precision Valve Company showing a spout or actuator designated "Jason" (no date).

3-sheet printout of a portion of a website of Precision Valve Company showing a spout or actuator designated "Hercules" (no date).

\* cited by examiner

*Primary Examiner* — Susan Bennett Hattan

(74) *Attorney, Agent, or Firm* — Wood, Phillips, Katz, Clark & Mortimer

(57) **CLAIM**

The ornamental design for a fluid dispensing actuator, as shown and described.

**DESCRIPTION**

FIG. 1 is an isometric view a fluid dispensing actuator which is adapted for installation on a container (not shown);

FIG. 2 is a front view thereof;

FIG. 3 is a right side view thereof, the left side view thereof being a mirror image;

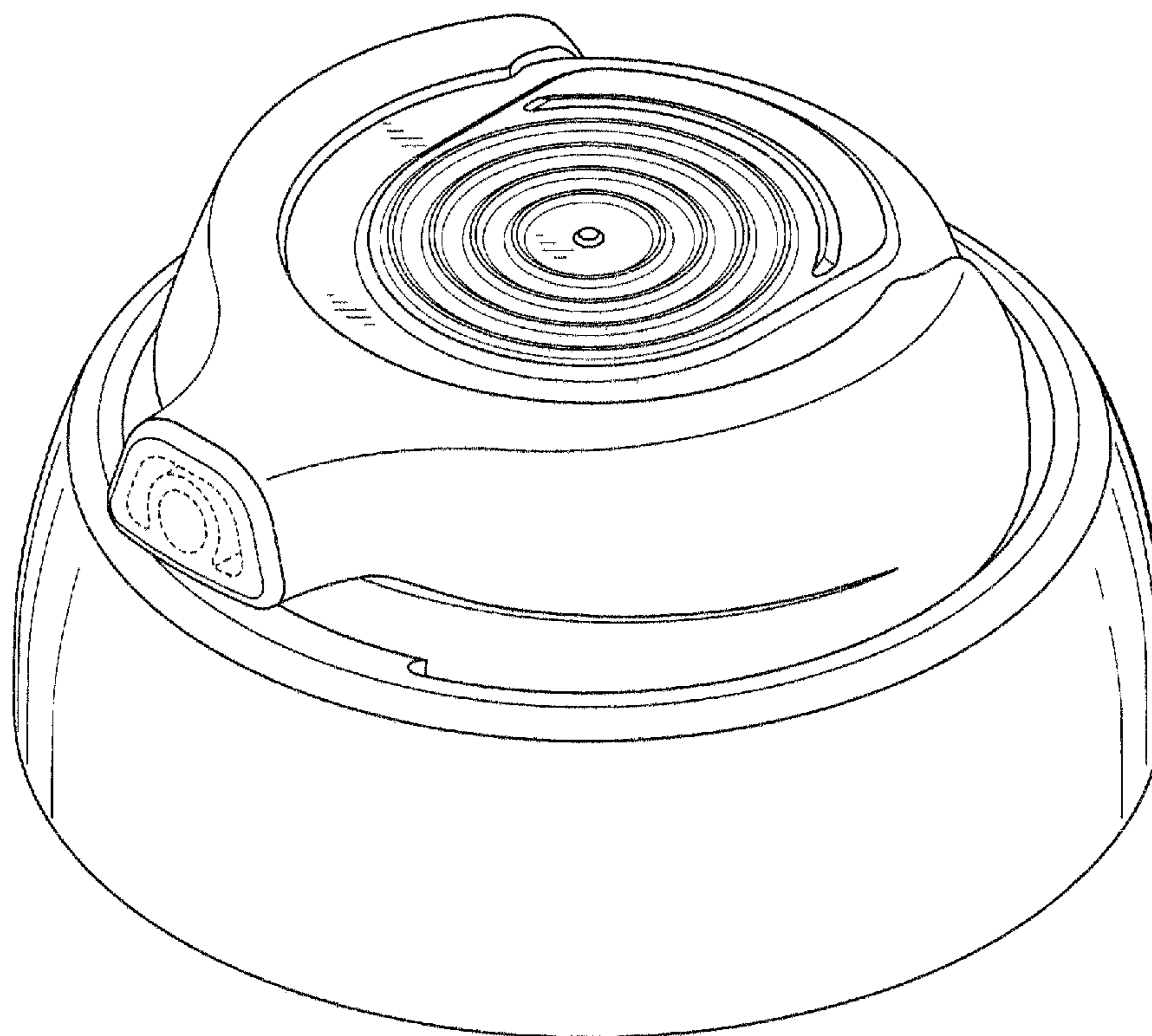
FIG. 4 is a rear view thereof; and,

FIG. 5 is a top view thereof.

The broken lines in the drawings are for illustrative purposes only and form no part of the claimed design.

The undisclosed bottom view is unornamented and forms no part of the claimed design.

**1 Claim, 3 Drawing Sheets**



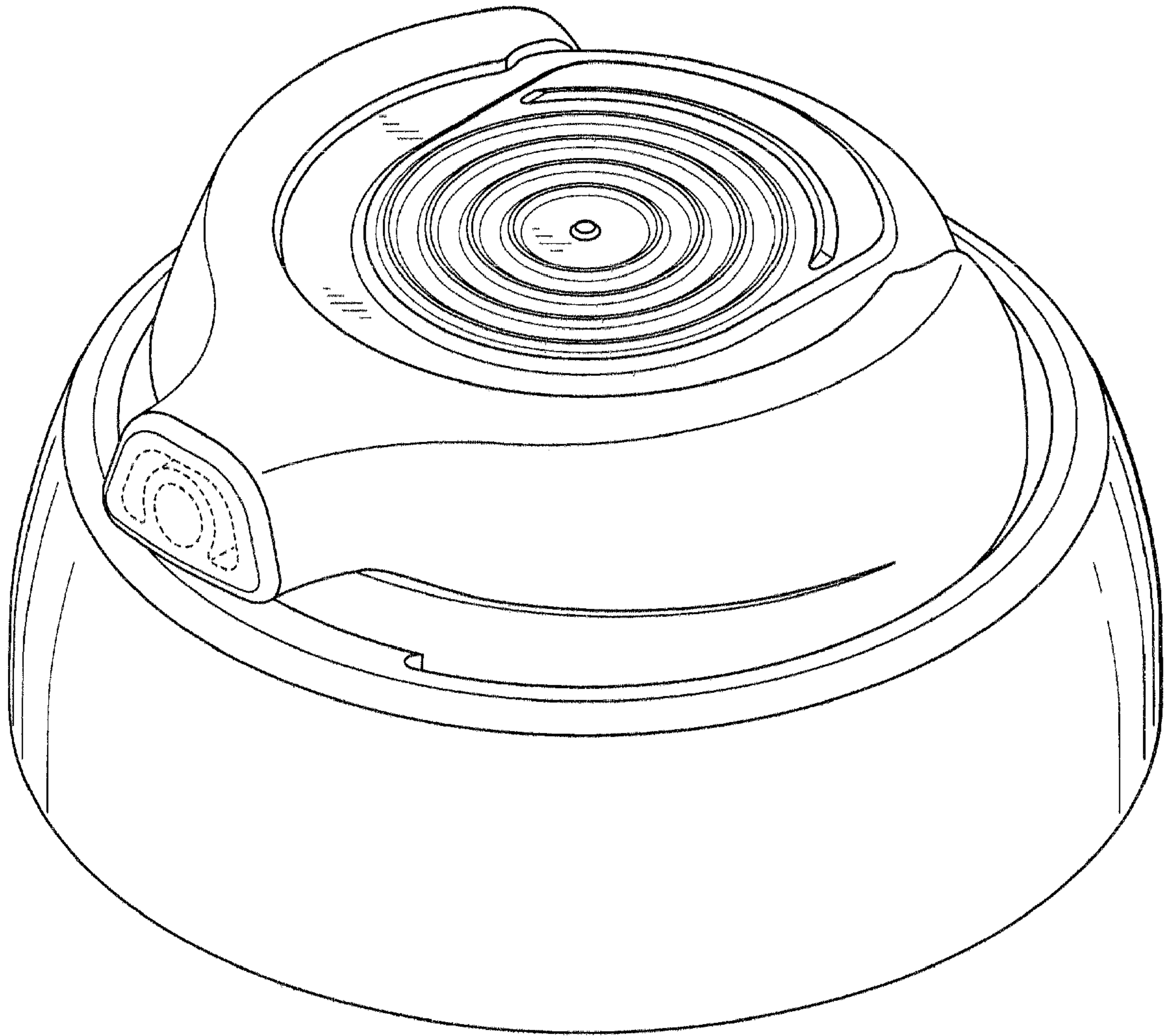


FIG. 1

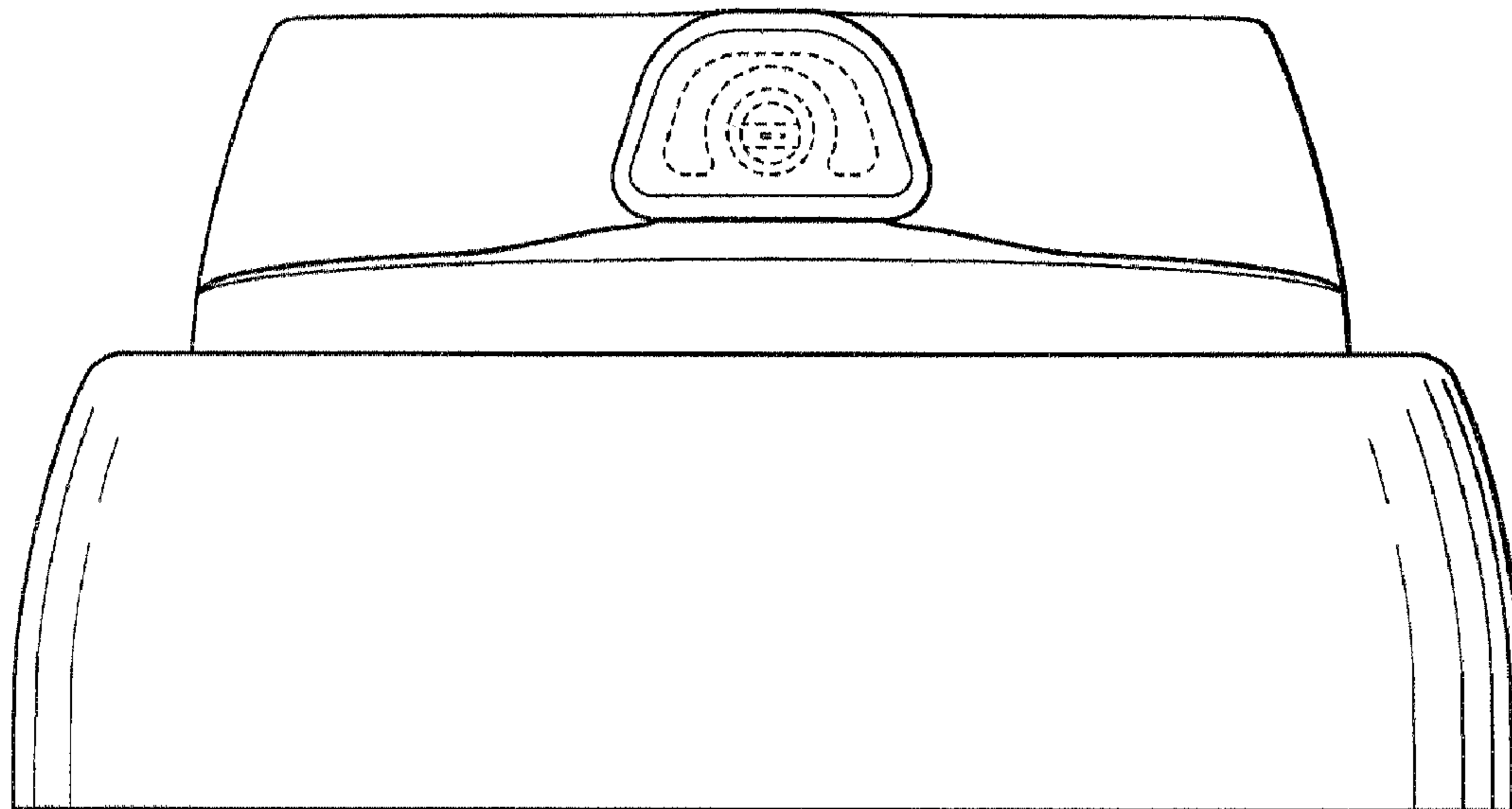


FIG. 2

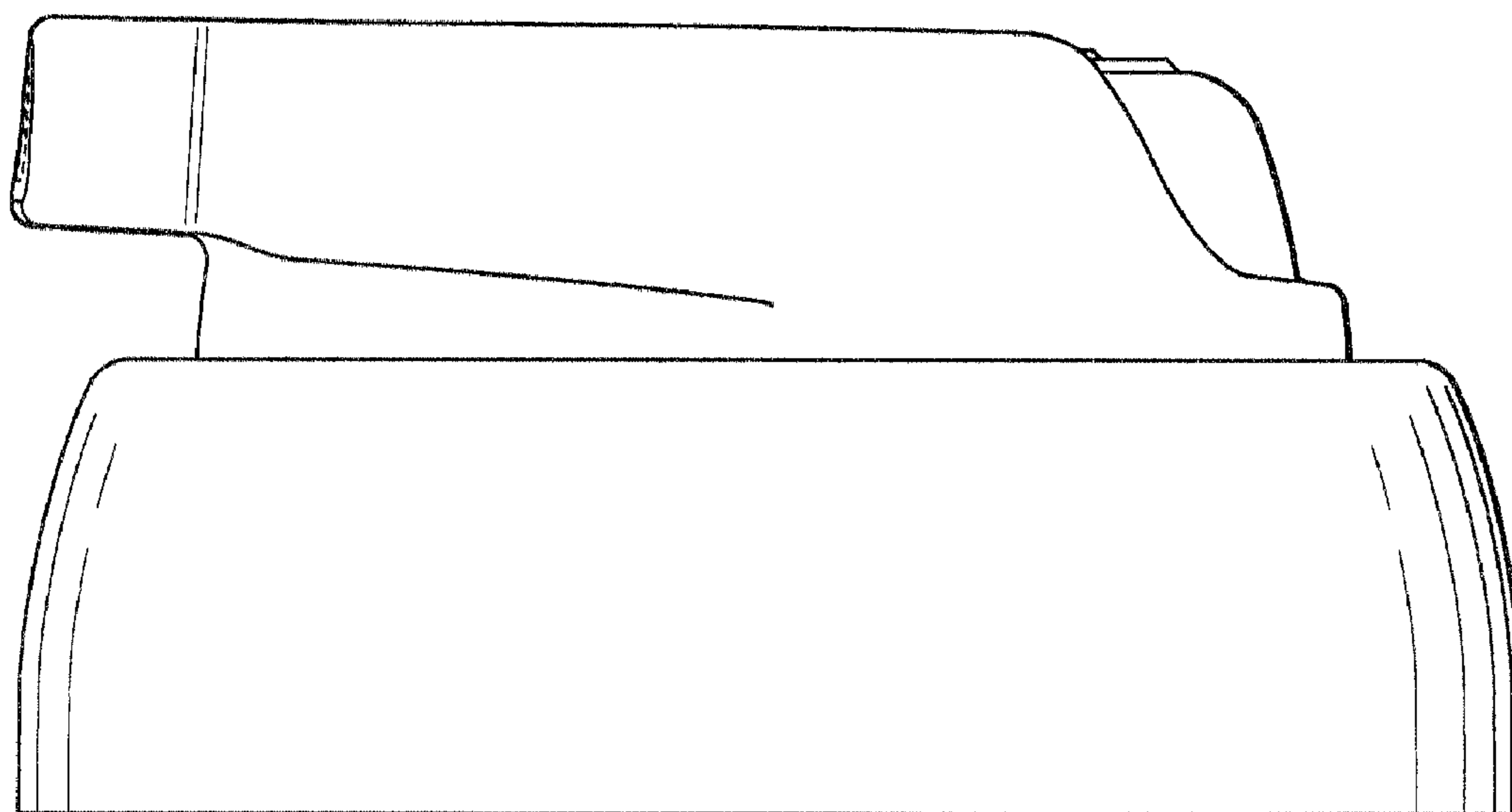


FIG. 3

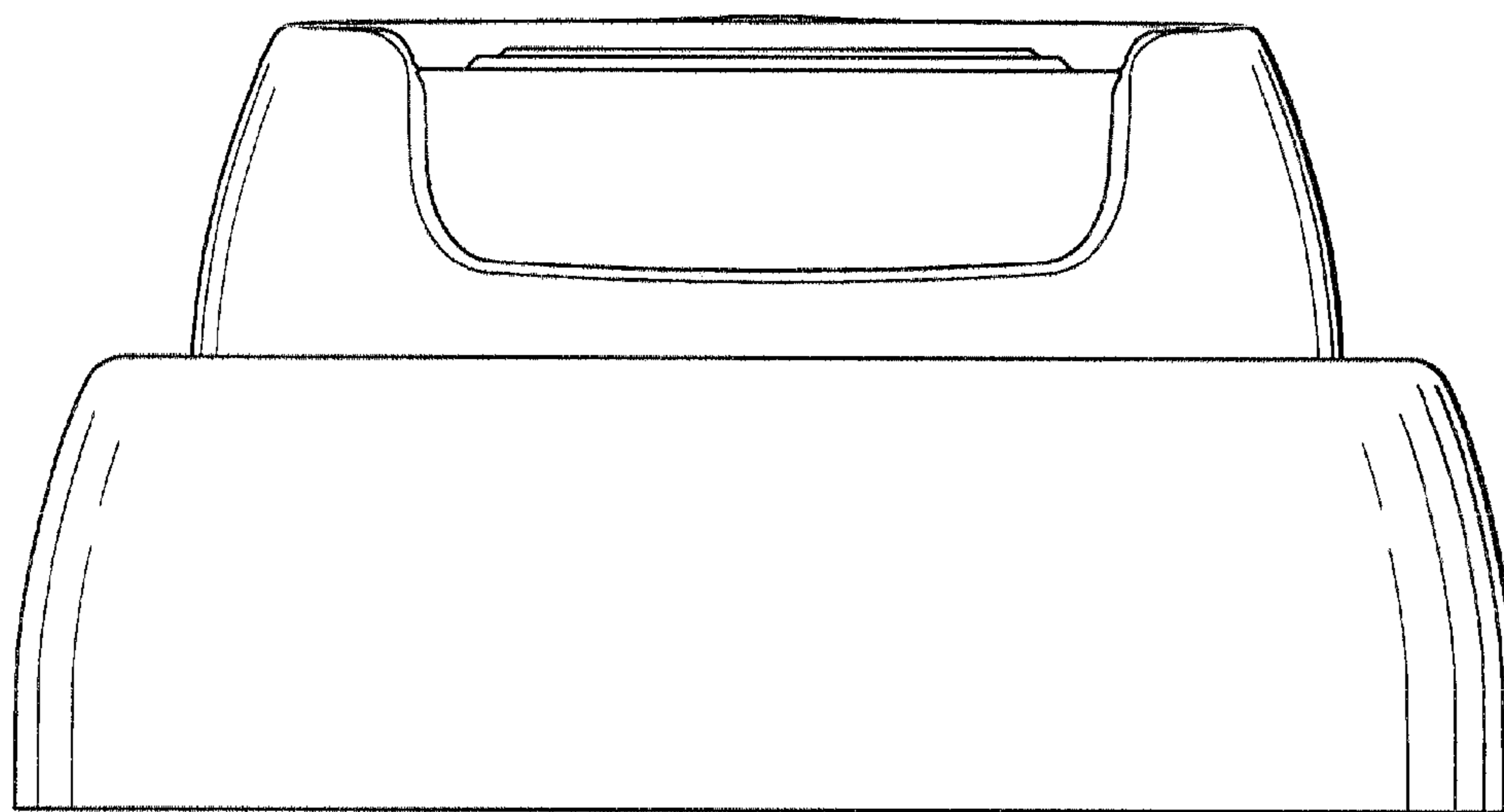


FIG. 4

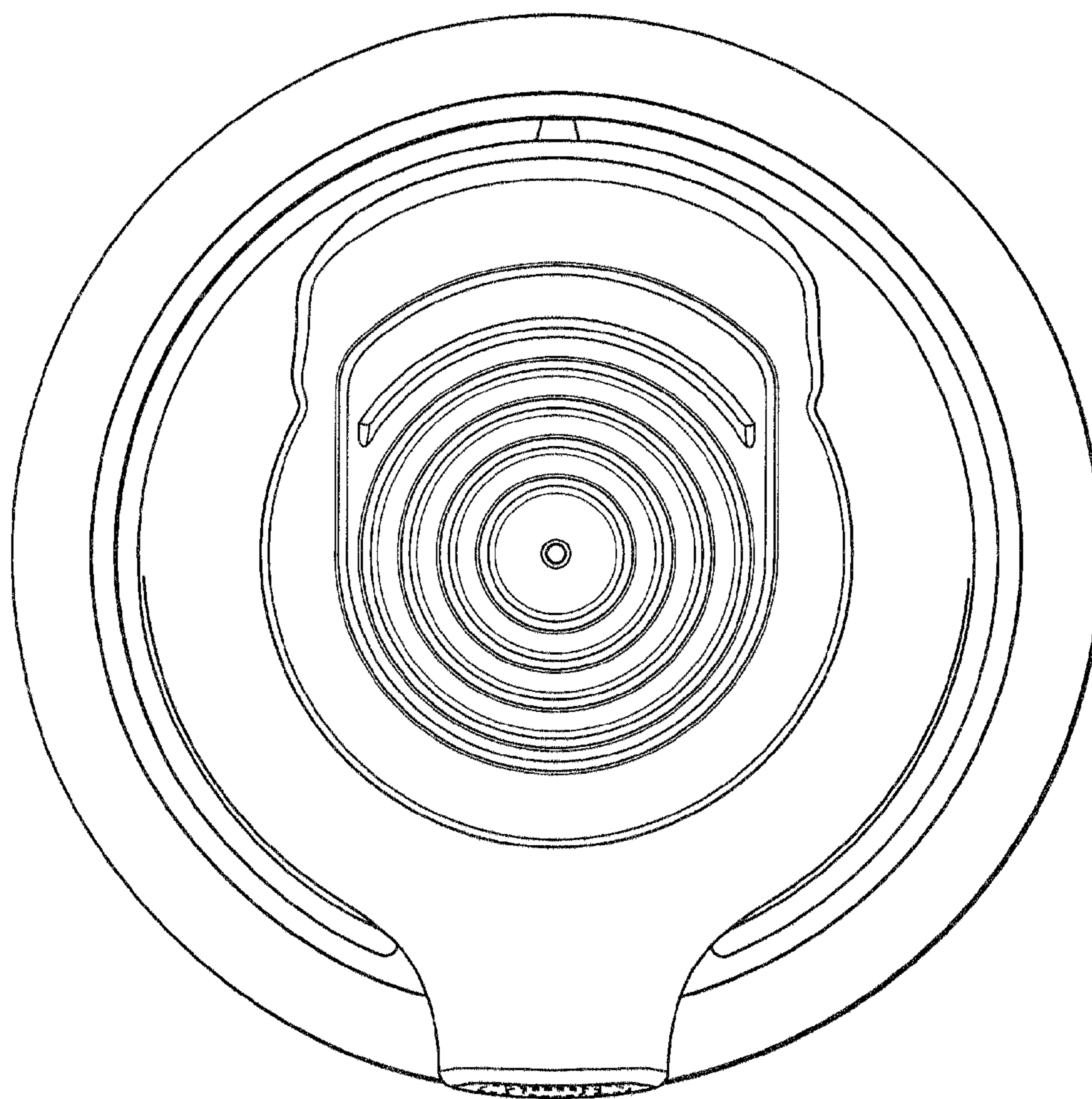


FIG. 5