

US00D666093S

(12) **United States Design Patent**
Wang

(10) **Patent No.:** **US D666,093 S**

(45) **Date of Patent:** **** Aug. 28, 2012**

(54) **SPRAYER BUCKET**

Primary Examiner — Susan Bennett Hattan

(76) Inventor: **Jay Wang**, Changhau County (TW)

(**) Term: **14 Years**

(57) **CLAIM**

The ornamental design for a sprayer bucket, as shown and described.

(21) Appl. No.: **29/381,401**

(22) Filed: **Dec. 19, 2010**

(30) **Foreign Application Priority Data**

Aug. 31, 2010 (TW) 99304333

(51) **LOC (9) Cl.** **09-07**

(52) **U.S. Cl.** **D9/448**

(58) **Field of Classification Search** D9/758,
D9/756, 456, 454, 449, 448, 435, 434; 239/333;
222/383.1, 321.8, 207, 182, 153.06-153.13;
220/519; 206/597, 509, 508, 427, 199, 144
See application file for complete search history.

DESCRIPTION

FIG. 1 is a perspective view of a sprayer bucket showing my new design;
FIG. 2 is a front elevational view thereof;
FIG. 3 is a rear elevational view thereof;
FIG. 4 is a left side elevational view thereof;
FIG. 5 is a right side elevational view thereof;
FIG. 6 is a top plan view thereof;
FIG. 7 is a bottom plan view thereof; and,
FIG. 8 is a perspective view thereof shown in environmental use.

The broken lines are intended to show features that are environmental only and form no part of the claimed design.

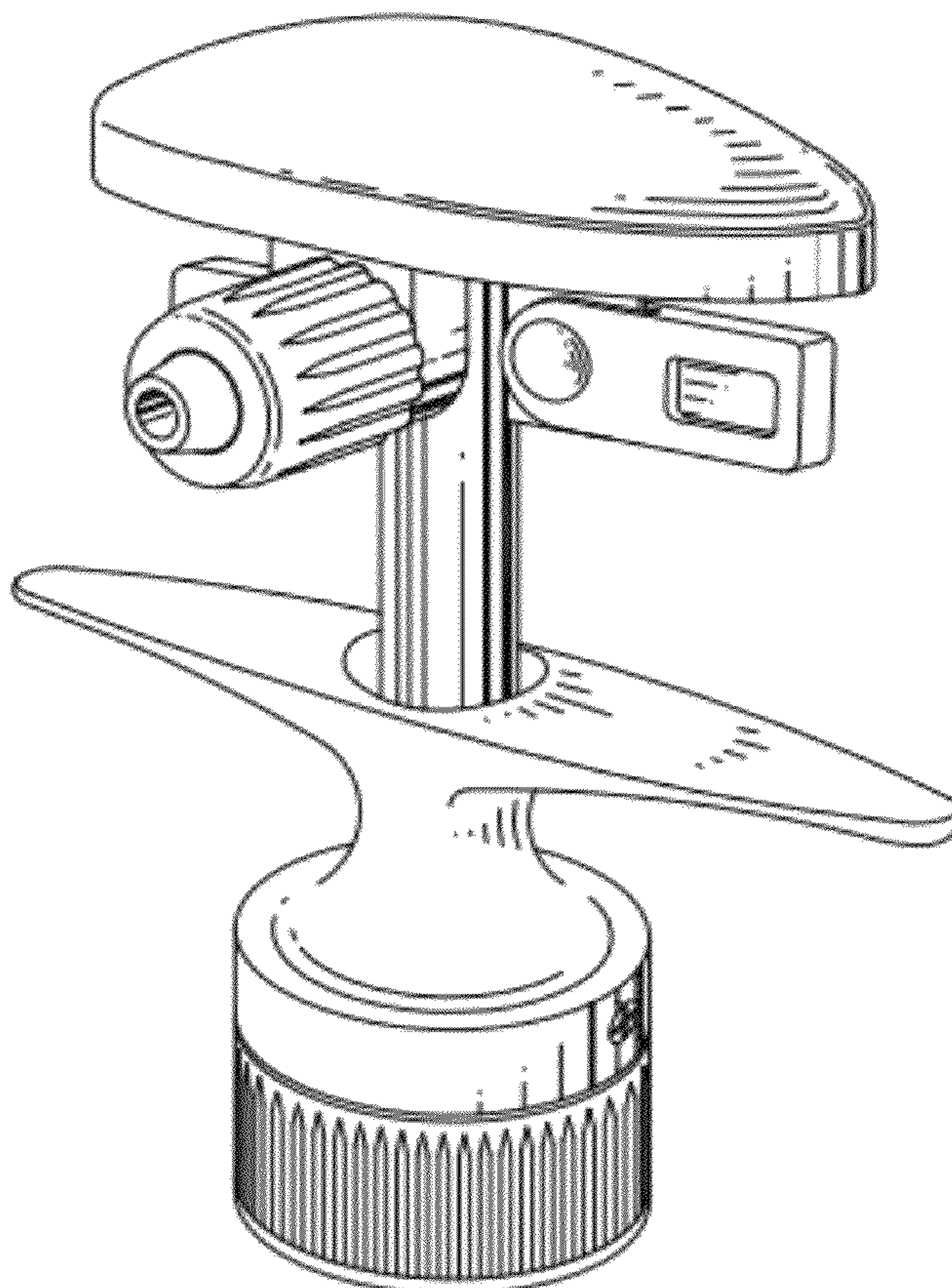
(56) **References Cited**

U.S. PATENT DOCUMENTS

- D201,649 S * 7/1965 Long D9/448
- D244,995 S * 7/1977 Sullivan D9/448
- D379,146 S * 5/1997 Zimmerhackel D9/448

* cited by examiner

1 Claim, 7 Drawing Sheets



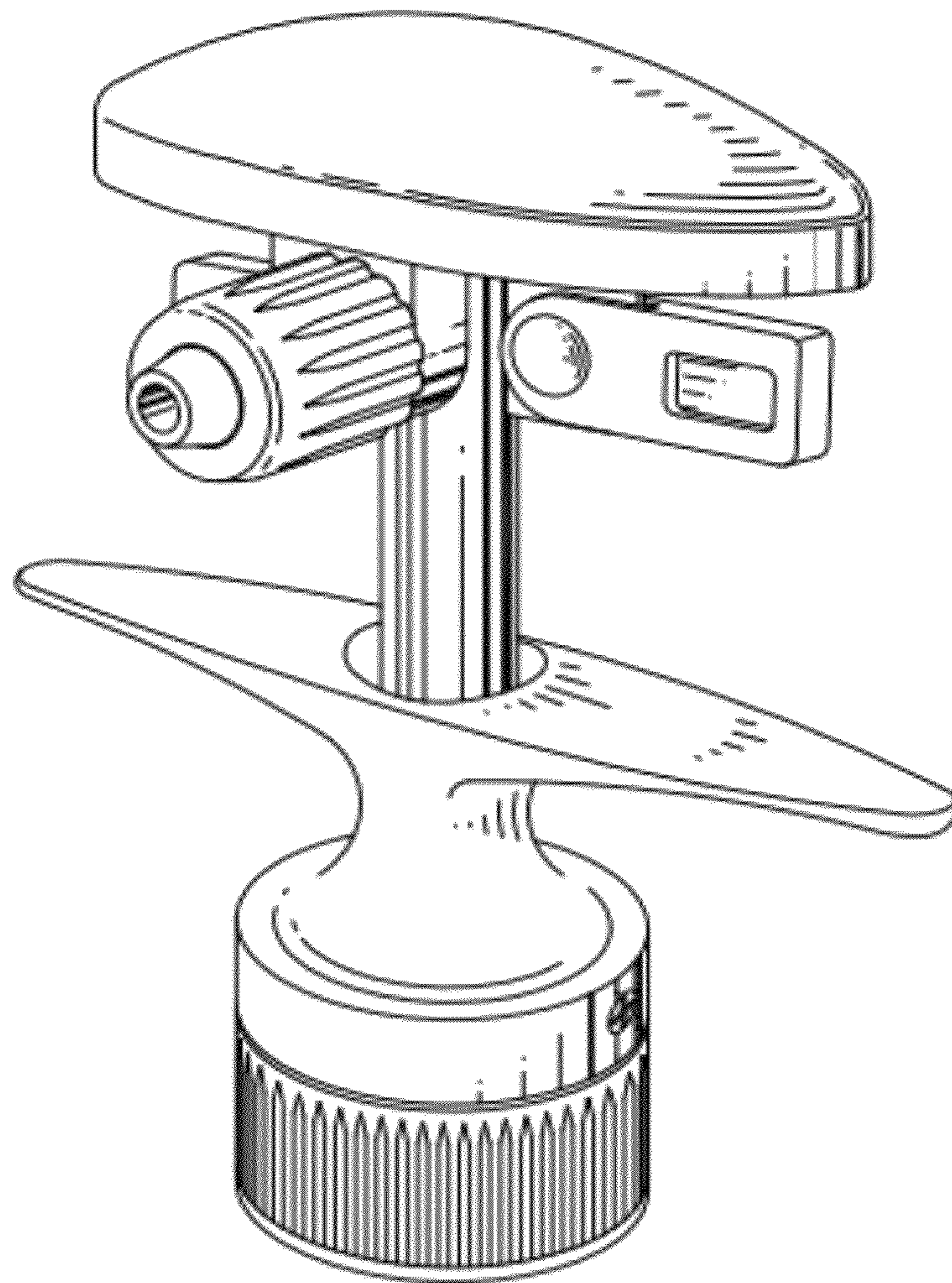


FIG. 1

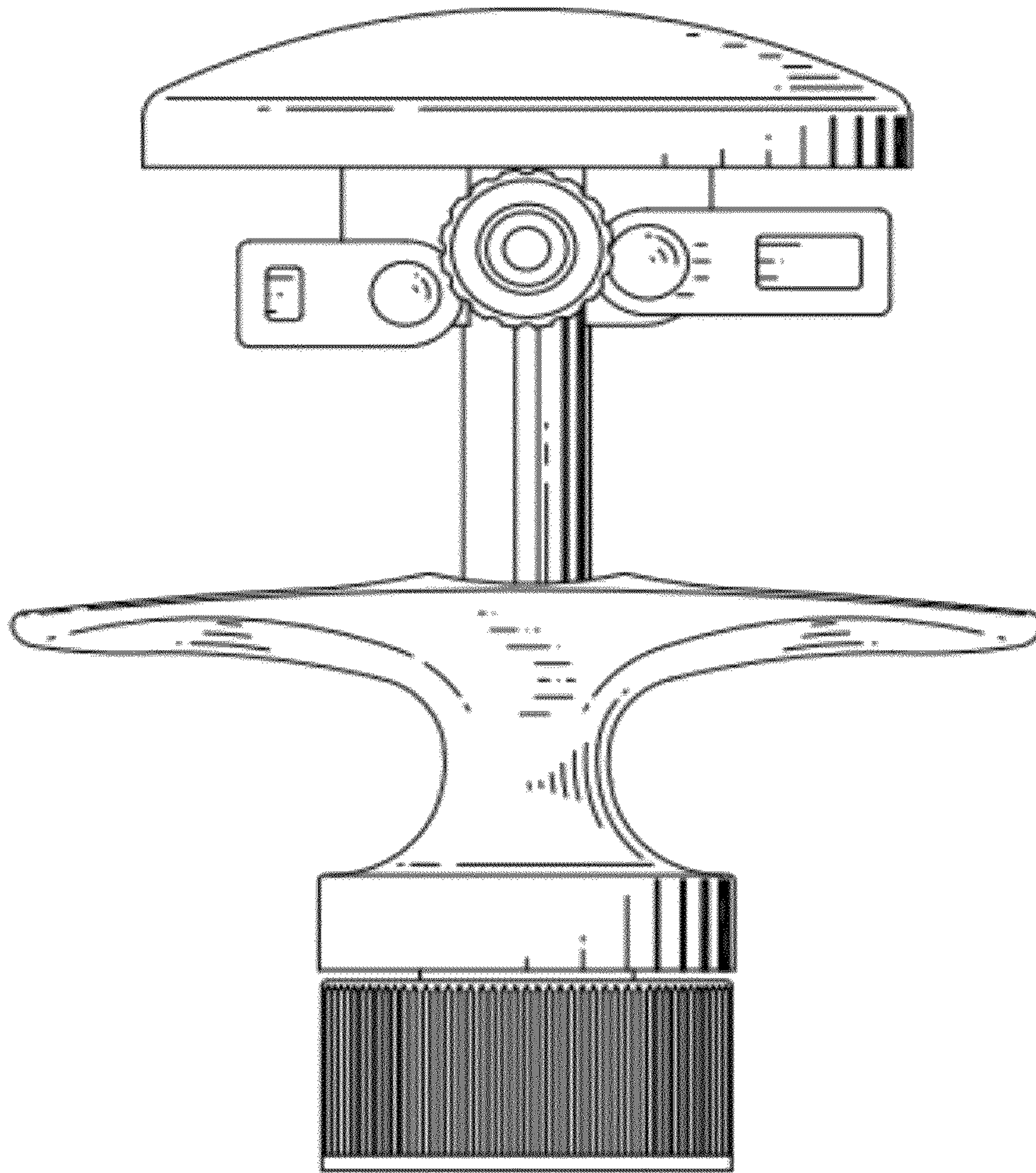


FIG. 2

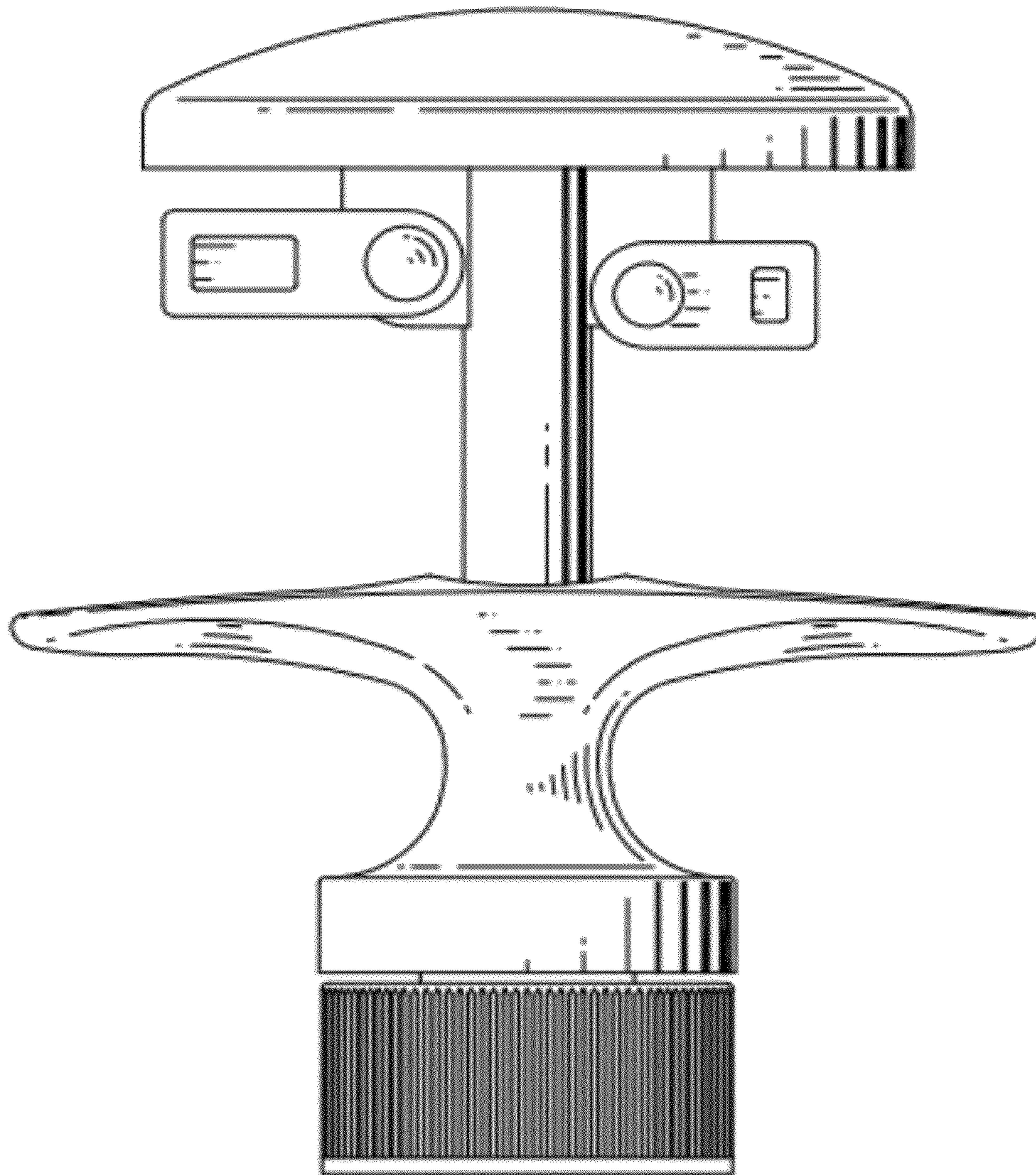


FIG. 3

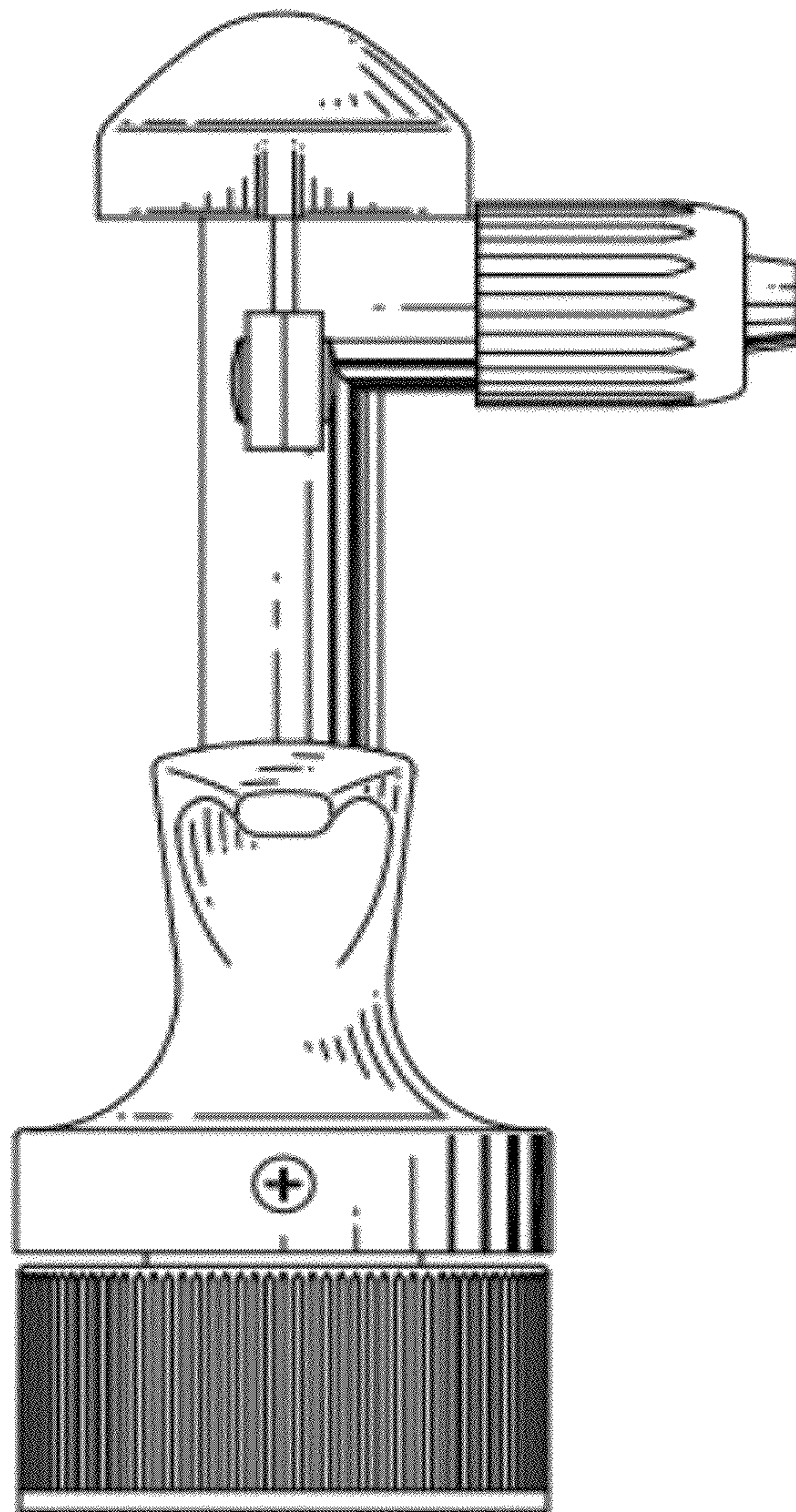


FIG. 4

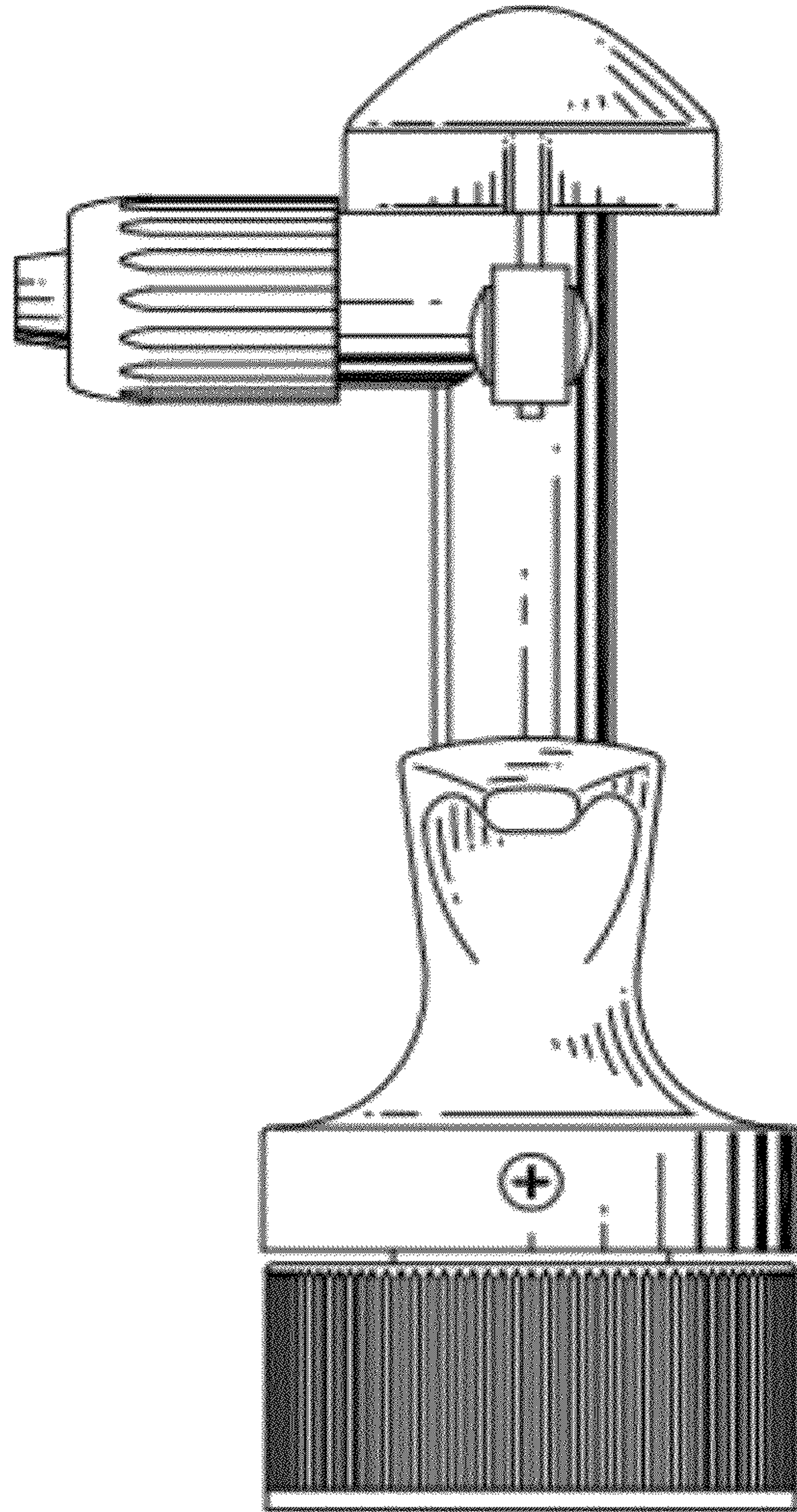


FIG. 5

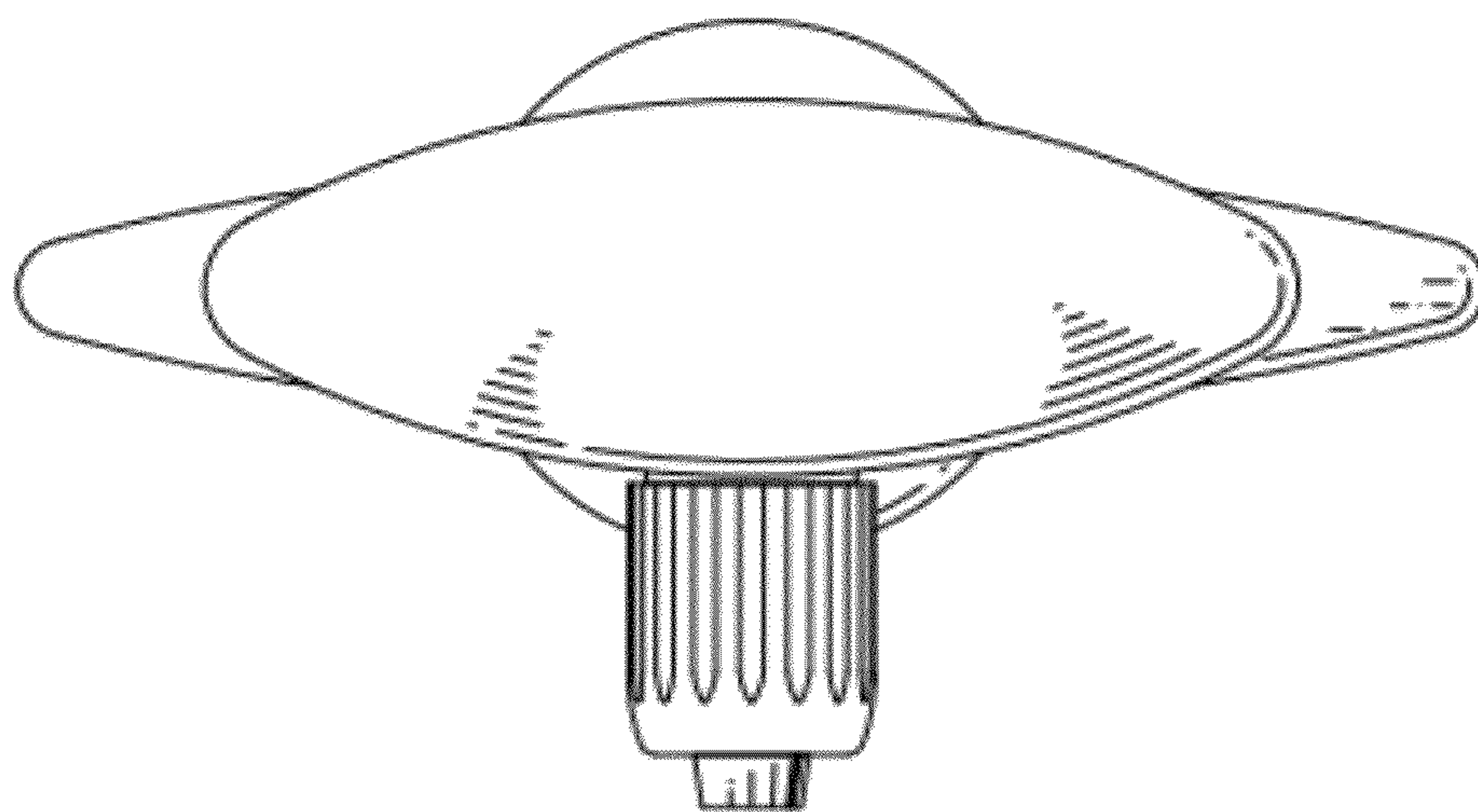


FIG. 6

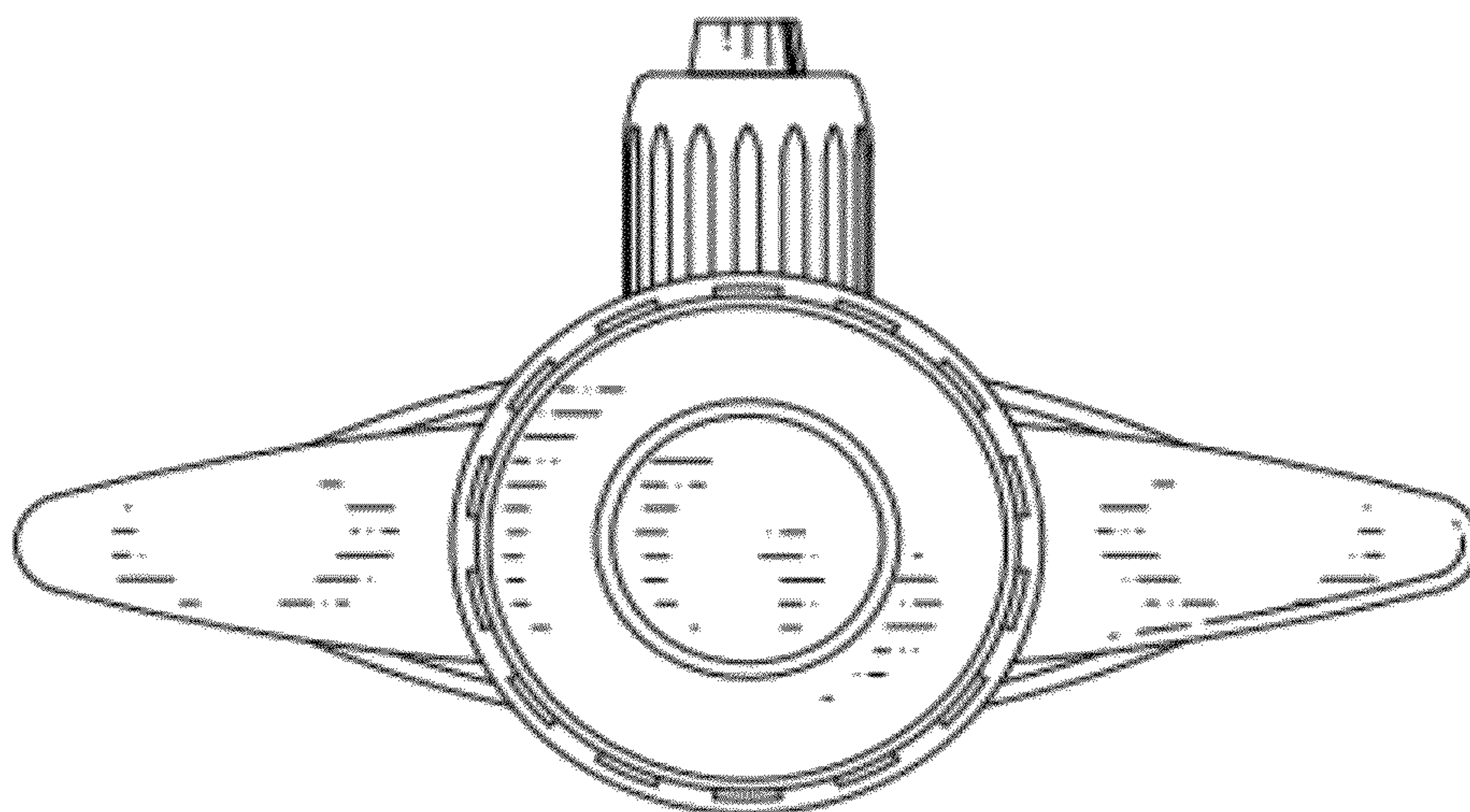


FIG. 7

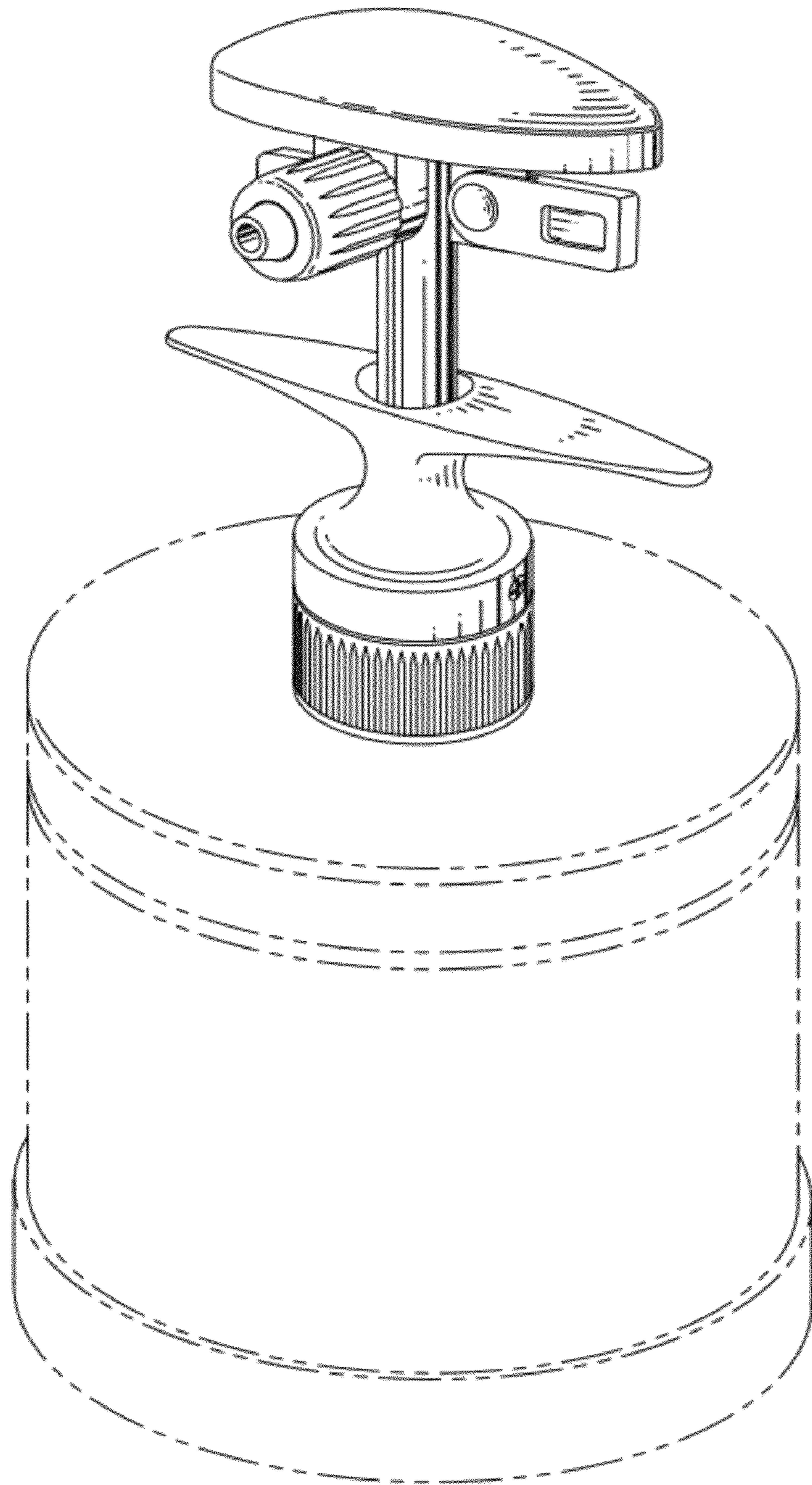


FIG. 8