

US00D666090S

(12) **United States Design Patent**
DeBusk

(10) **Patent No.:** **US D666,090 S**

(45) **Date of Patent:** **** Aug. 28, 2012**

(54) **CARTON**

(76) **Inventor:** **Patrick J. DeBusk**, Frankston, TX (US)

(**) **Term:** **14 Years**

(21) **Appl. No.:** **29/380,483**

(22) **Filed:** **Dec. 6, 2010**

(51) **LOC (9) Cl.** **09-03**

(52) **U.S. Cl.** **D9/433**

(58) **Field of Classification Search** D9/600,
D9/667, 715, 737, 414, 420-423, 430-433;
D19/92; 206/215, 457, 485, 822; 220/890;
229/116.1-116.3

See application file for complete search history.

(56) **References Cited**

U.S. PATENT DOCUMENTS

3,347,356	A *	10/1967	Kossnar	206/45.29
D246,440	S	11/1977	Hanson		
4,127,192	A	11/1978	Card		
4,184,625	A *	1/1980	Stollberg et al.	206/521.1
4,211,322	A *	7/1980	Crescenzi et al.	229/241
D261,583	S	11/1981	LaBasan		
D290,444	S *	6/1987	Osborne	D9/756
D292,965	S	12/1987	Fein		
D326,341	S	5/1992	Frauhiger		
D329,375	S *	9/1992	Bergman	D9/759
D348,390	S	7/1994	Van Ness		
D385,112	S	10/1997	Birnbaum		
D399,128	S	10/1998	Carter et al.		

D439,157	S	3/2001	Tsuruishi et al.		
D441,285	S	5/2001	Tsuruishi et al.		
D461,126	S	8/2002	Decello et al.		
D578,883	S *	10/2008	Kisch	D9/432
D596,025	S	7/2009	Mordechai		
D606,314	S	12/2009	Neilsen		
D606,855	S *	12/2009	Jo et al.	D9/423

* cited by examiner

Primary Examiner — Thomas Johannes

(74) *Attorney, Agent, or Firm* — QuickPatents, Inc.; Kevin Prince

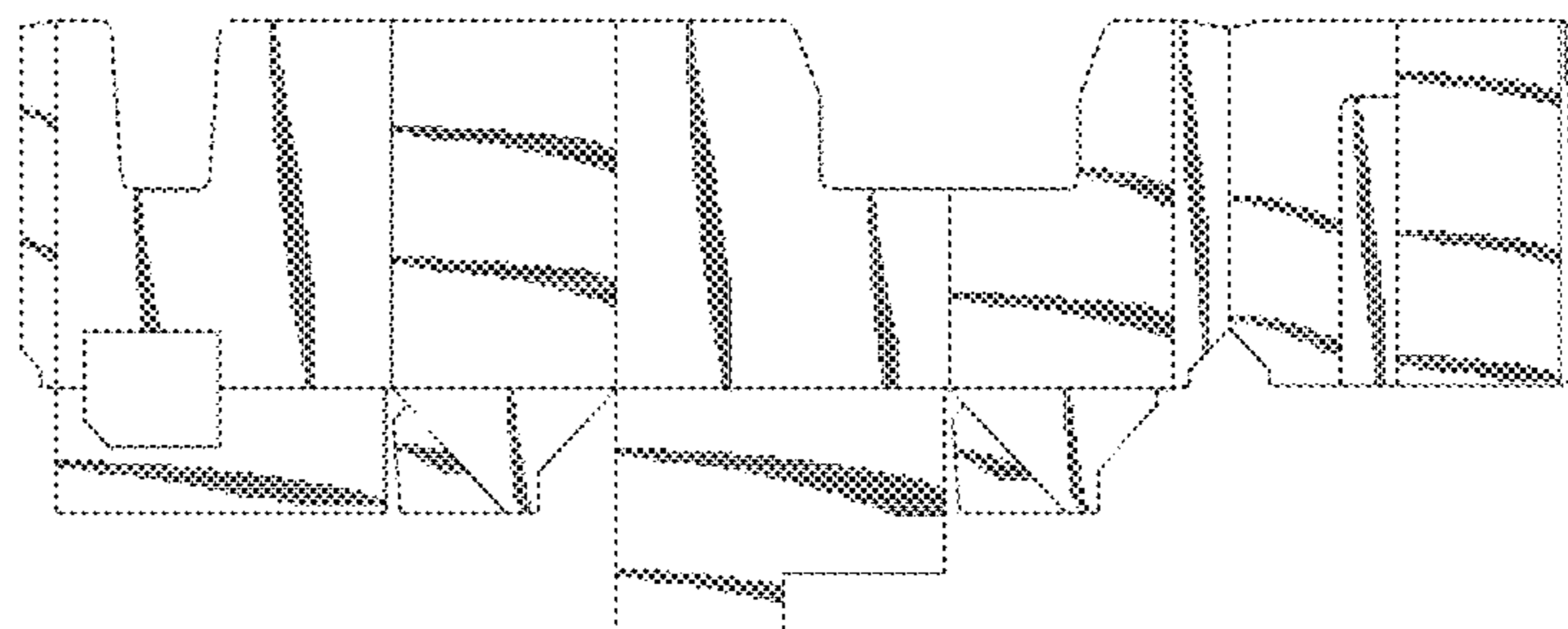
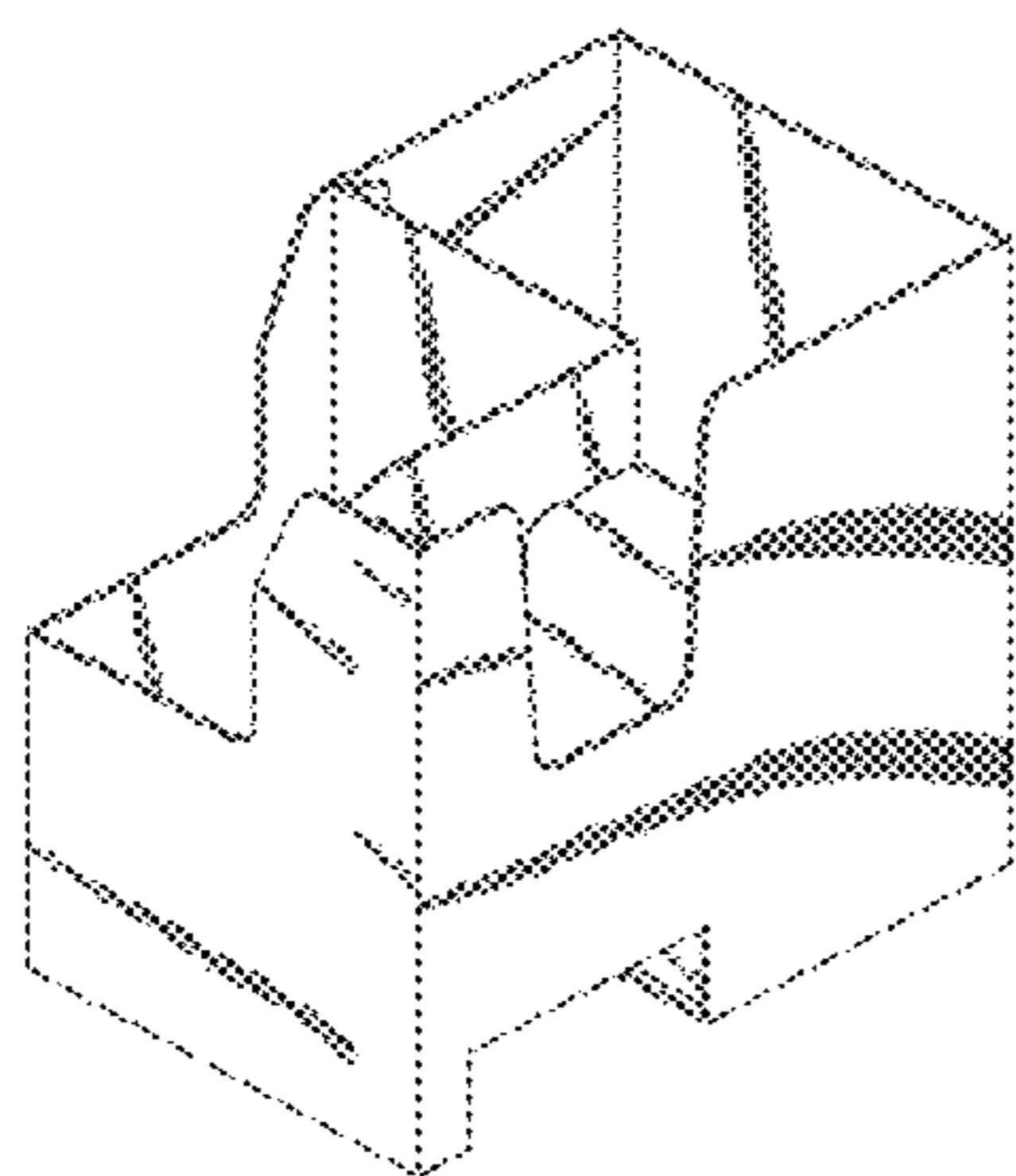
(57) **CLAIM**

What is claimed is the ornamental design for a carton, as shown and described.

DESCRIPTION

FIG. 1 is a perspective view of a carton, showing the new design;
 FIG. 2 is a front elevational view thereof;
 FIG. 3 is a left-side elevational view thereof;
 FIG. 4 is a rear elevational view thereof;
 FIG. 5 is a right-side elevational view thereof;
 FIG. 6 is a top plan view thereof;
 FIG. 7 is a bottom plan view thereof; and,
 FIG. 8 is a top plan view thereof, illustrated in a flat configuration, bottom plan view being a mirror image thereof, it being understood that the thickness of the design in the flat configuration is the thickness of the material as shown in the other figures.

1 Claim, 3 Drawing Sheets



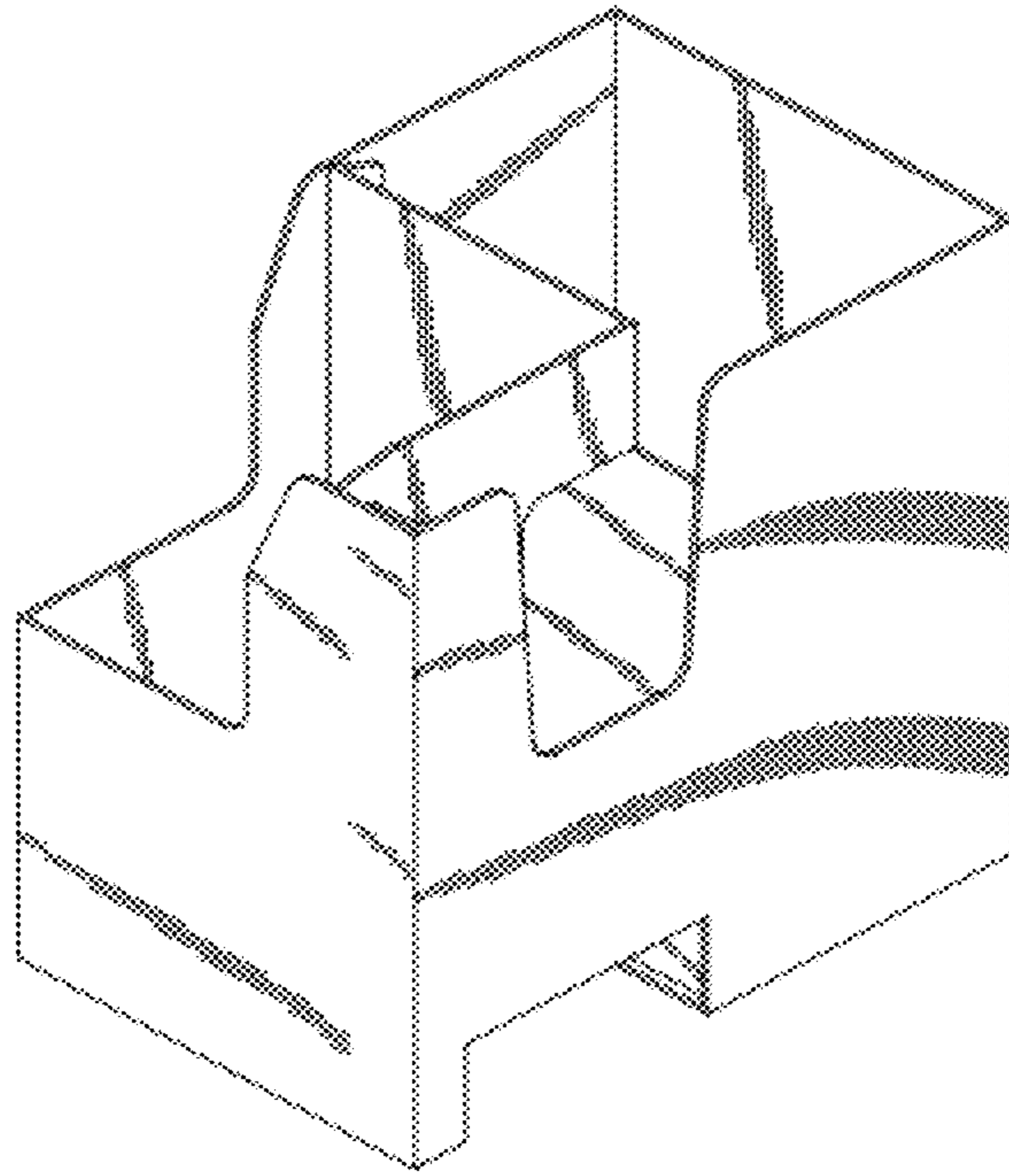


FIG. 1

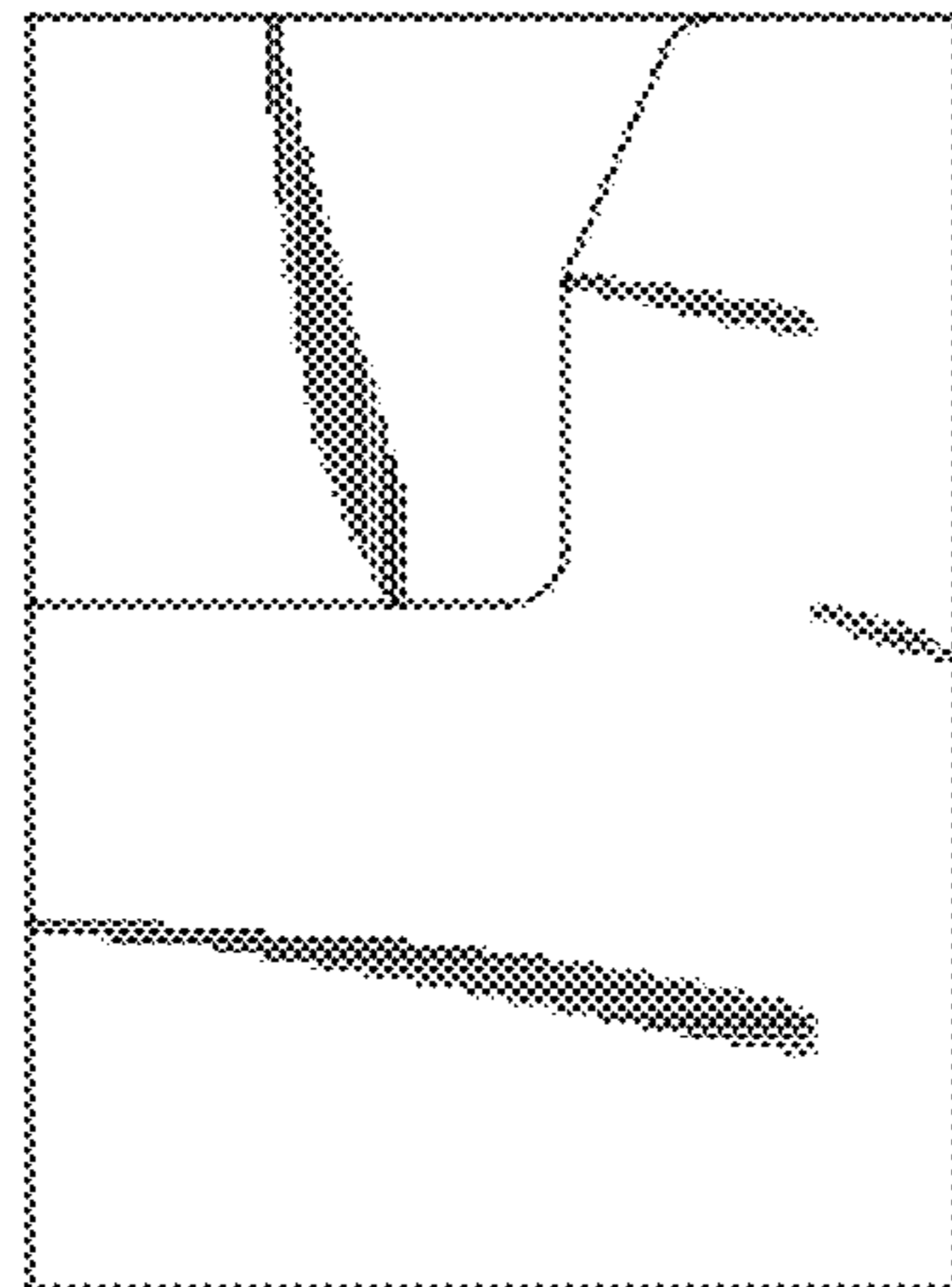


FIG. 2

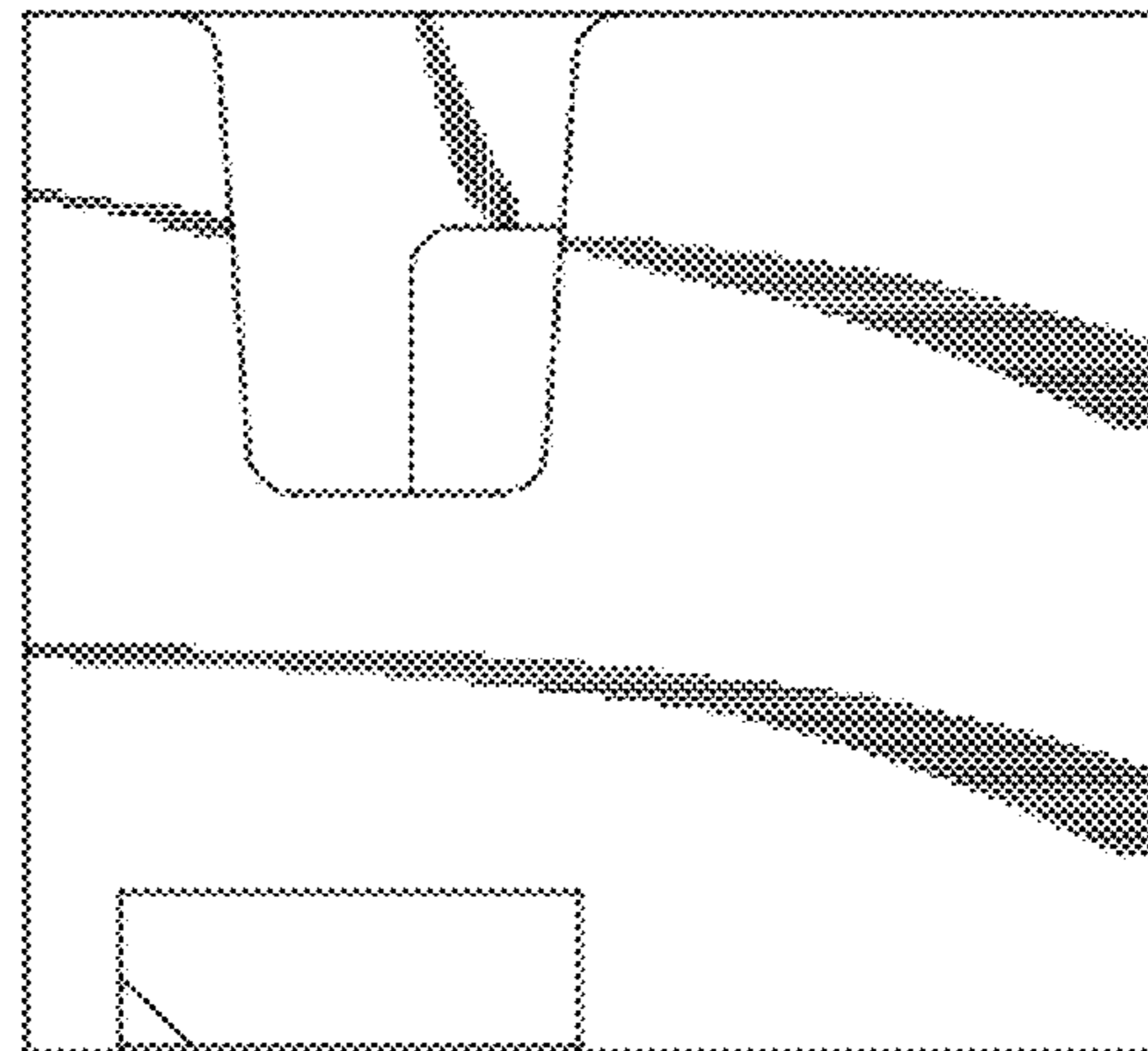


FIG. 3

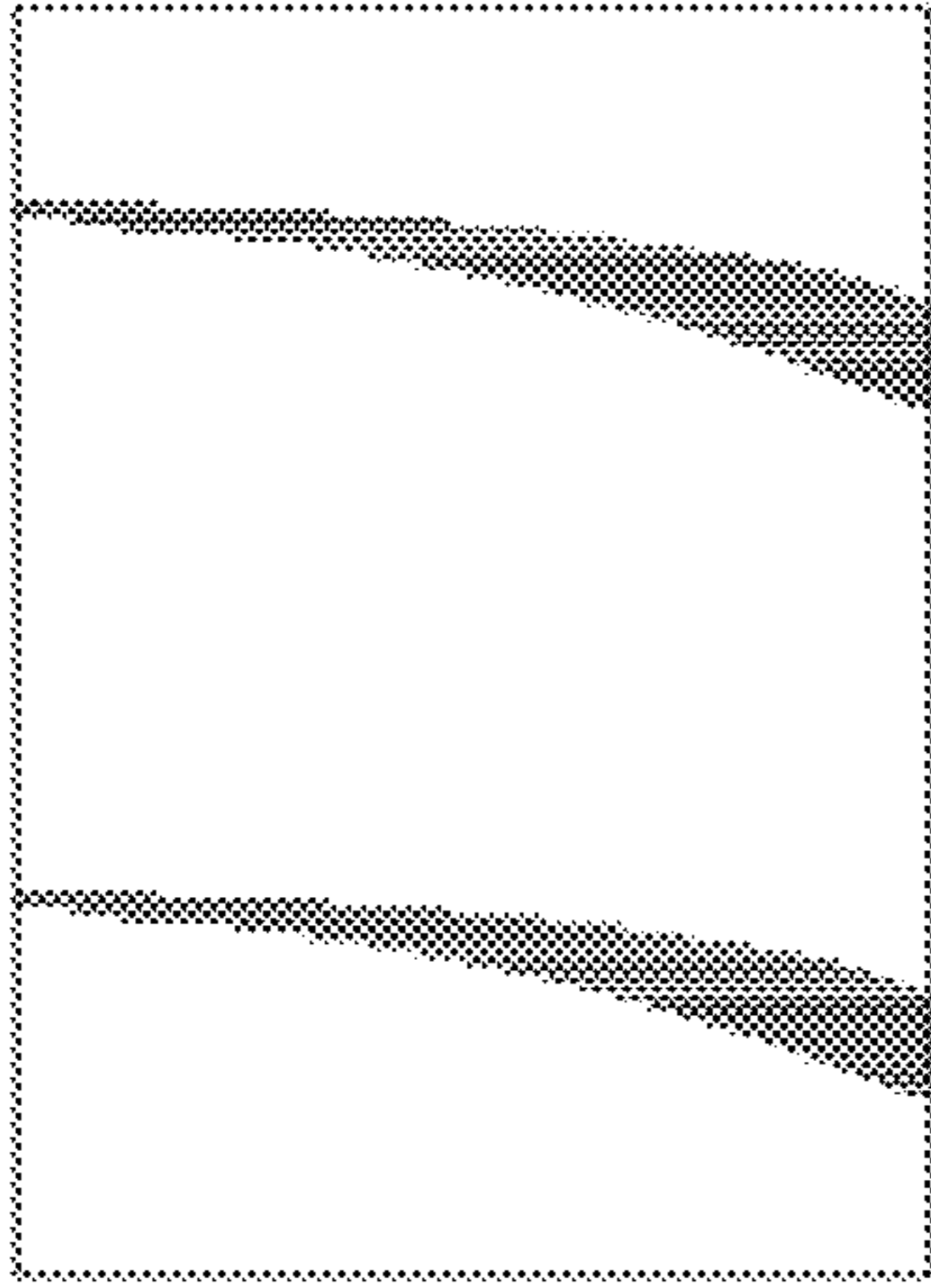


FIG. 4

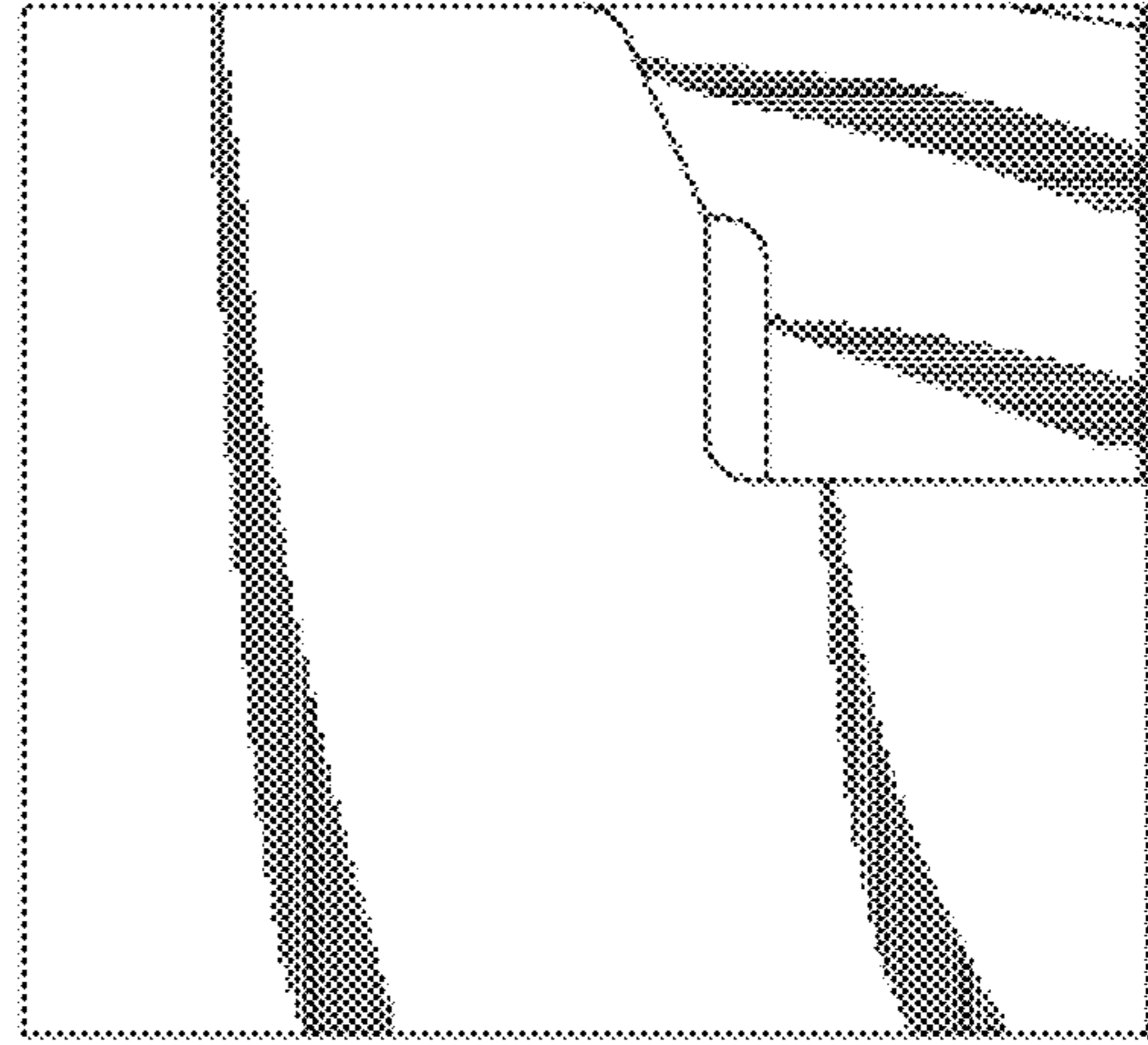


FIG. 5

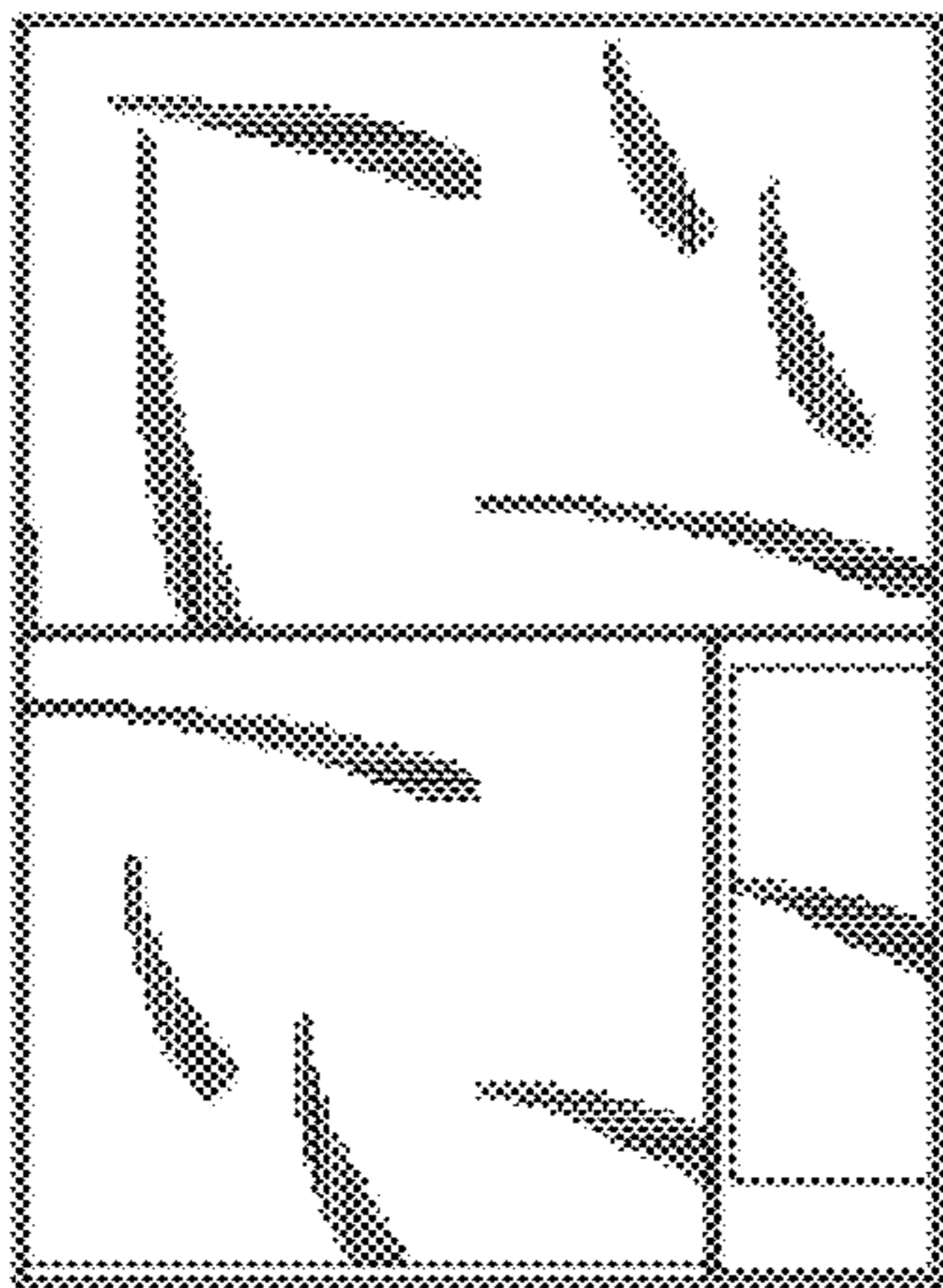


FIG. 6

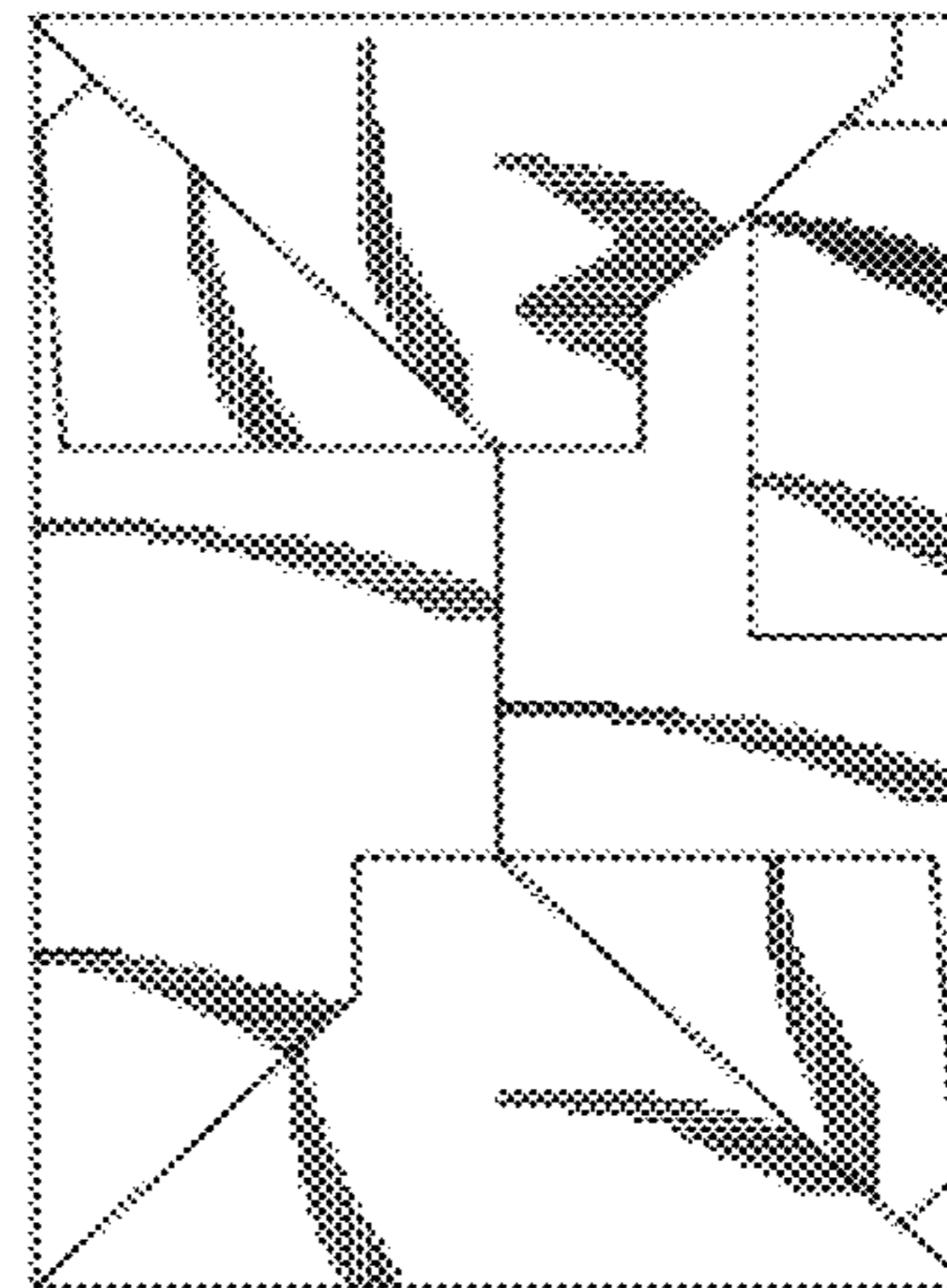


FIG. 7

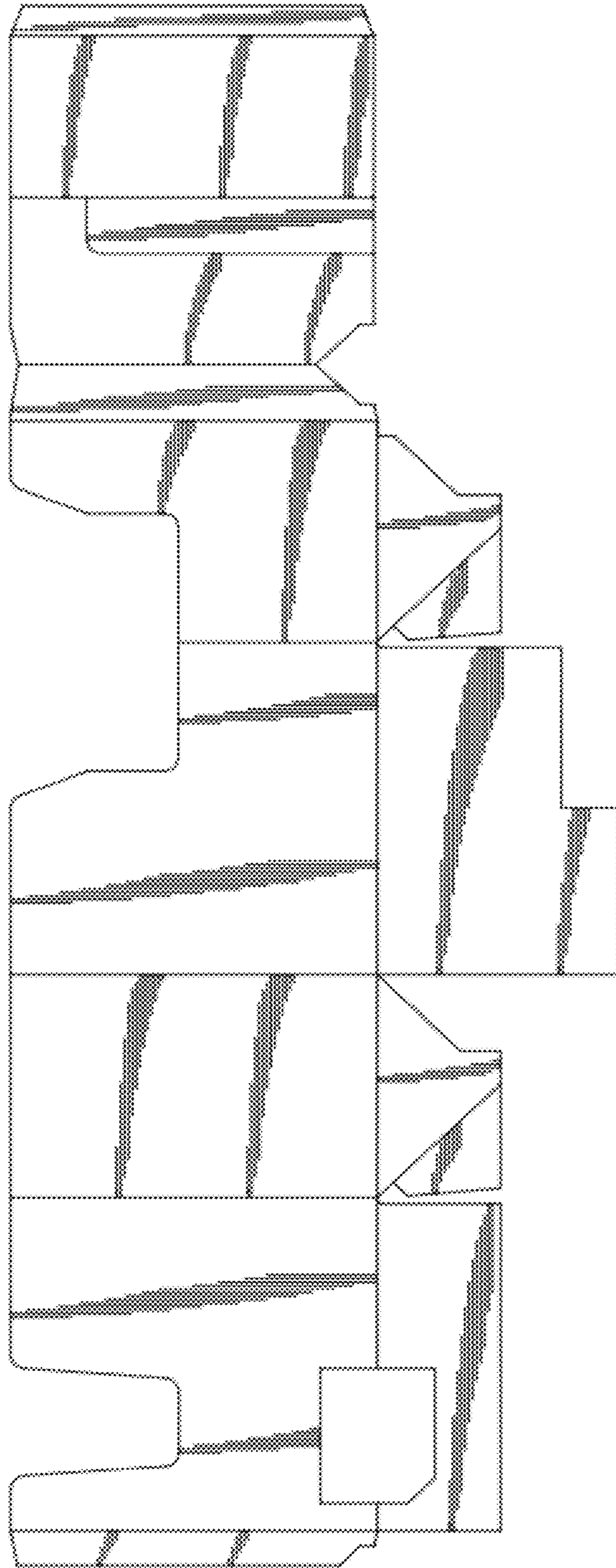


FIG. 8