



US00D666086S

(12) **United States Design Patent**
Mundhra

(10) **Patent No.:** **US D666,086 S**

(45) **Date of Patent:** **** Aug. 28, 2012**

(54) **SIFTING PAN**

5,447,239 A * 9/1995 Tubbs, Jr. 209/434
D420,864 S * 2/2000 Kenney et al. D7/667
D480,096 S * 9/2003 Hovian D15/147

(75) Inventor: **Sudhir Mundhra**, Cerritos, CA (US)

(73) Assignee: **Siya, Inc.**, Santa Fe Springs, CA (US)

(**) Term: **14 Years**

(21) Appl. No.: **29/409,366**

(22) Filed: **Dec. 22, 2011**

(51) **LOC (9) Cl.** **08-01**

(52) **U.S. Cl.** **D8/499; D7/667**

(58) **Field of Classification Search** D8/499;
D7/667; 294/179; 220/6, 8; 209/44, 48,
209/447, 397, 506, 417, 178, 49, 403, 434,
209/444, 451, 452, 233, 370, 391, 410, 418,
209/420, 399; D15/147

See application file for complete search history.

(56) **References Cited**

U.S. PATENT DOCUMENTS

585,989 A 7/1897 Sletcher
1,966,359 A 12/1932 Ryan
D185,399 S * 6/1959 Tupper D7/667
D289,269 S * 4/1987 Fleckenstein D7/538
4,671,868 A 6/1987 Ottrok
5,190,158 A 3/1993 Remias

OTHER PUBLICATIONS

Motherlode Outfitters dba Gold Fever Prospecting, "Classifier Screen-Sieves/Sifters" (website), Nov. 29, 2011, pp. 1-4, Hesperia, CA, www.goldfeverprospecting.com/clsc.html.

* cited by examiner

Primary Examiner — Terry Wallace

(74) *Attorney, Agent, or Firm* — Cislo & Thomas, LLP

(57) **CLAIM**

The ornamental design for a sifting pan, as shown and described.

DESCRIPTION

FIG. 1 is a top perspective view of the sifting pan.

FIG. 2 is a bottom perspective view of the sifting pan.

FIG. 3 is a front view of the sifting pan. The rear view, right side view, and left side view are each identical to the front view.

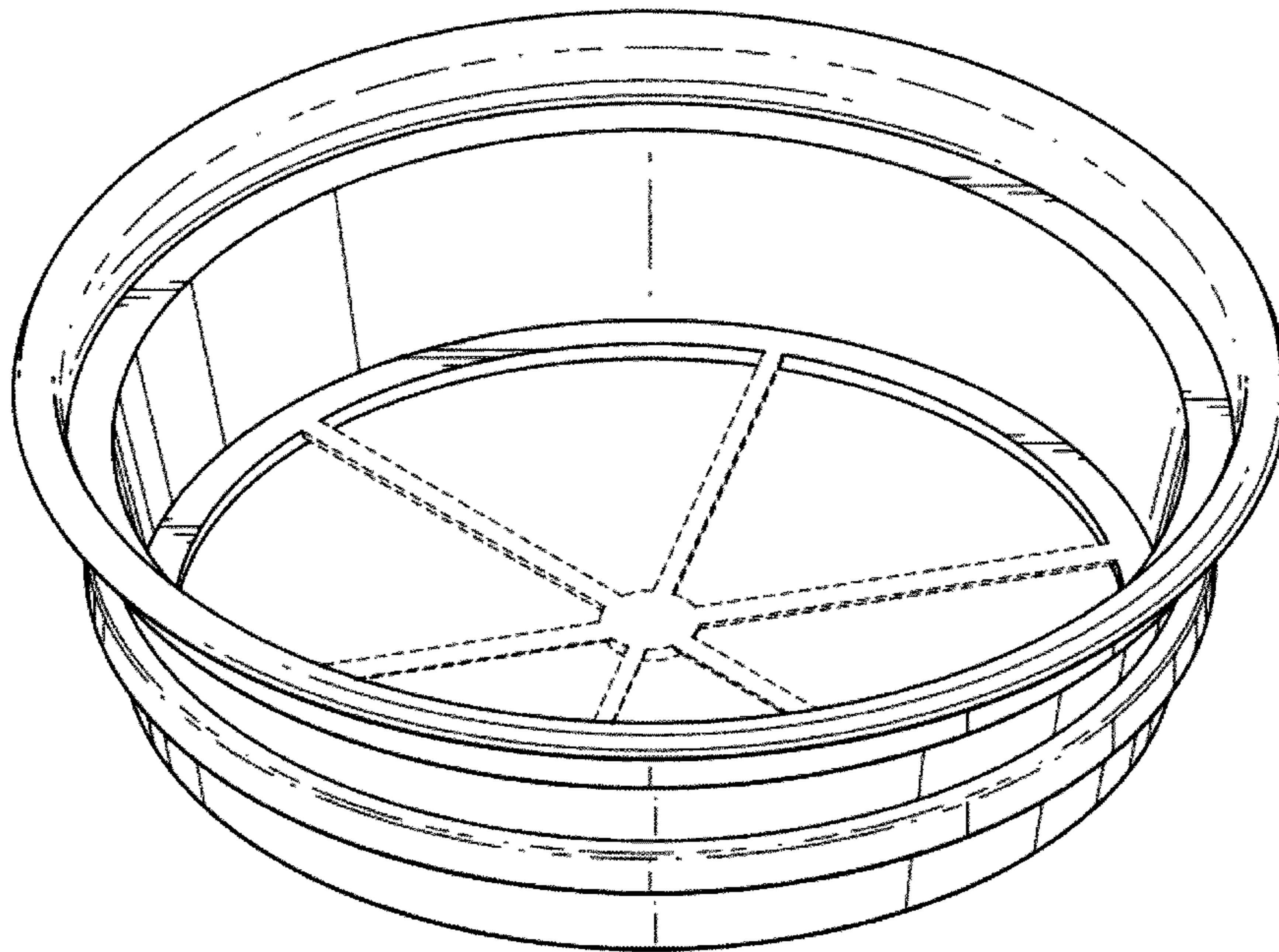
FIG. 4 is a top view of the sifting pan.

FIG. 5 is a bottom view of the sifting pan; and,

FIG. 6 is a sectional along the line indicated in FIG. 3.

The portions of the sifting pan shown in broken lines form no part of the claimed design.

1 Claim, 6 Drawing Sheets



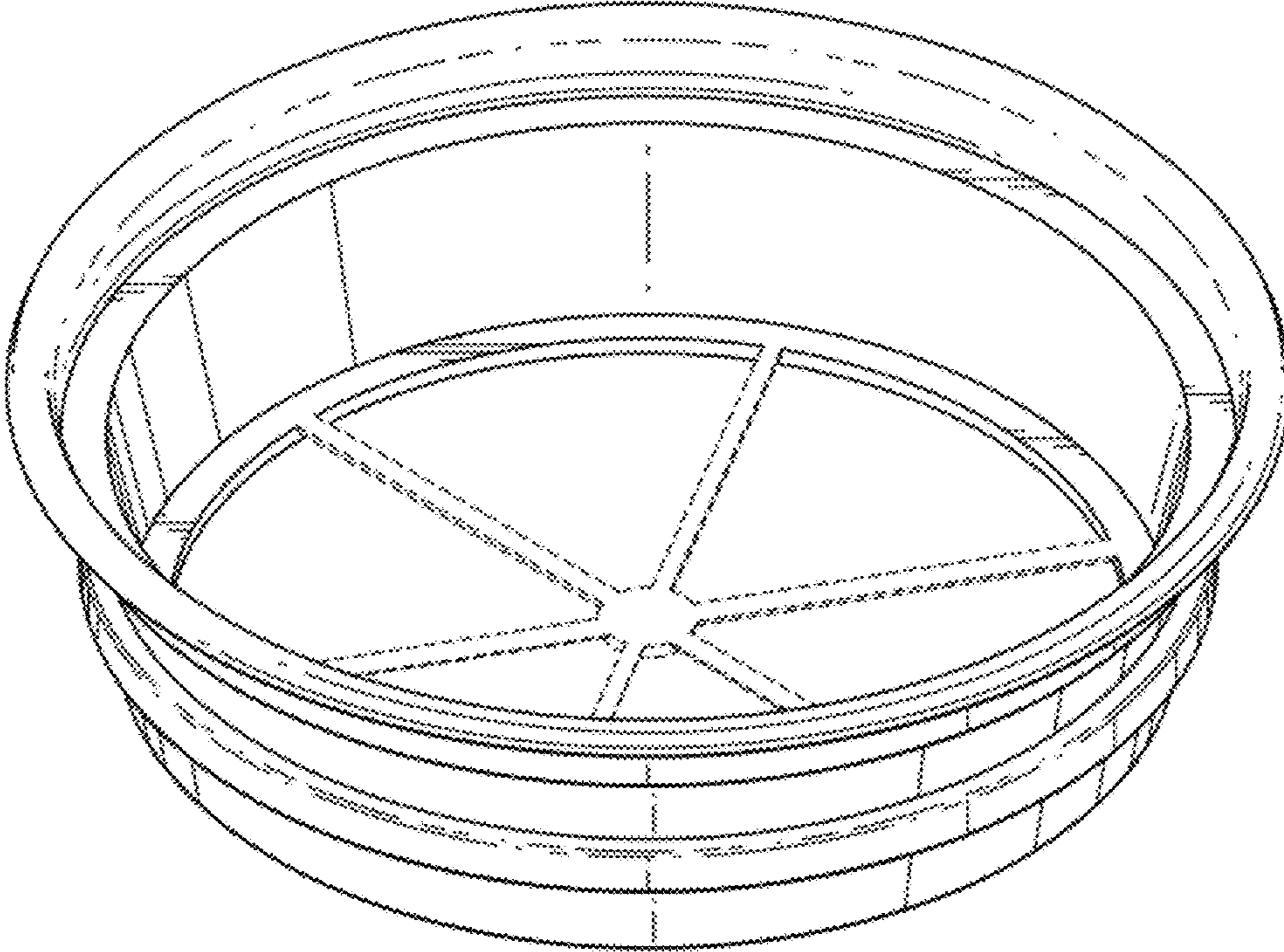


FIG. 1

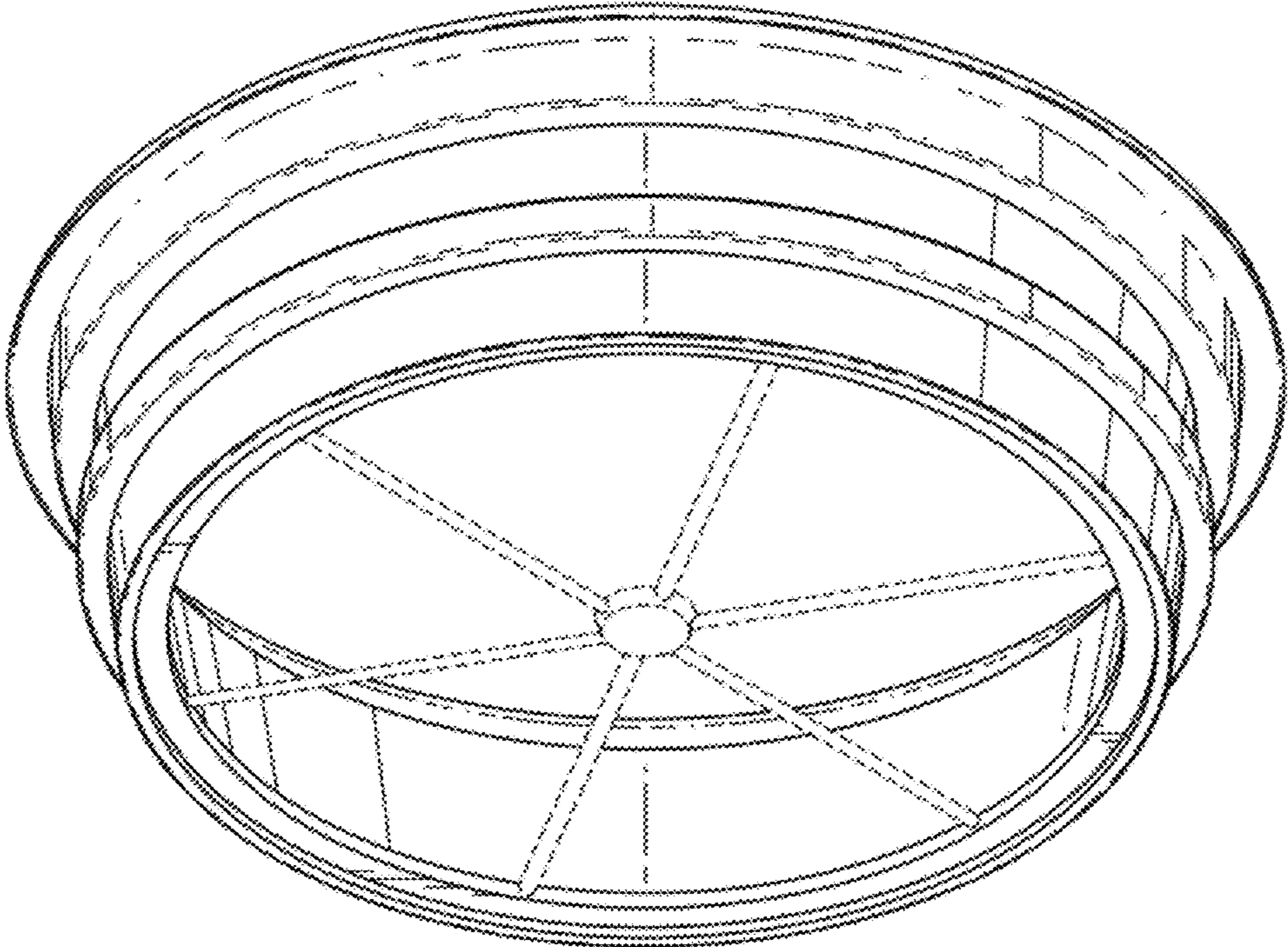


FIG. 2

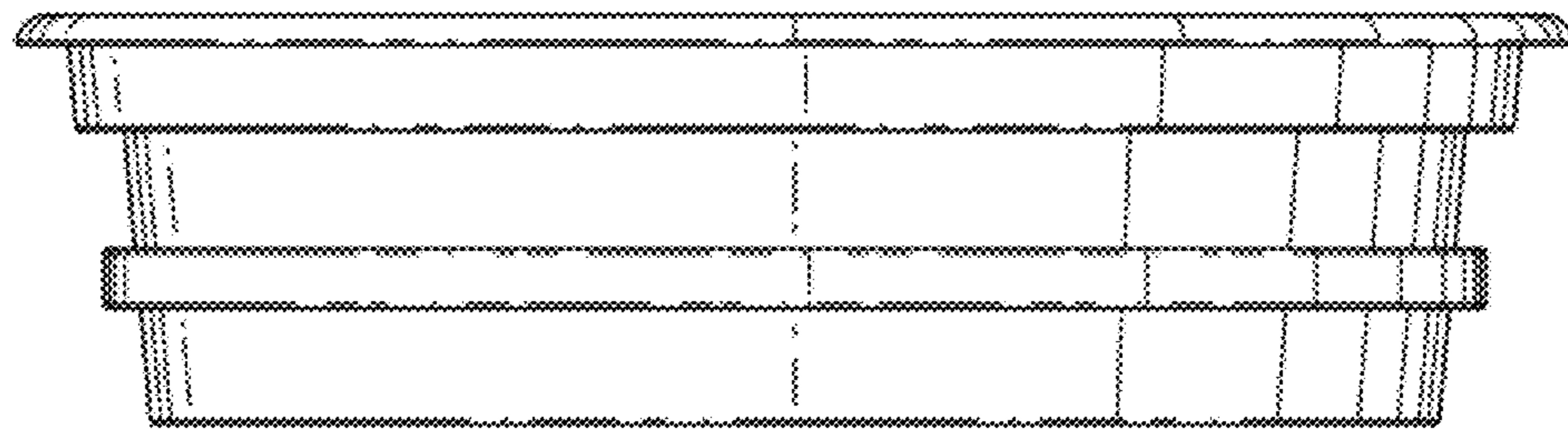


FIG. 3

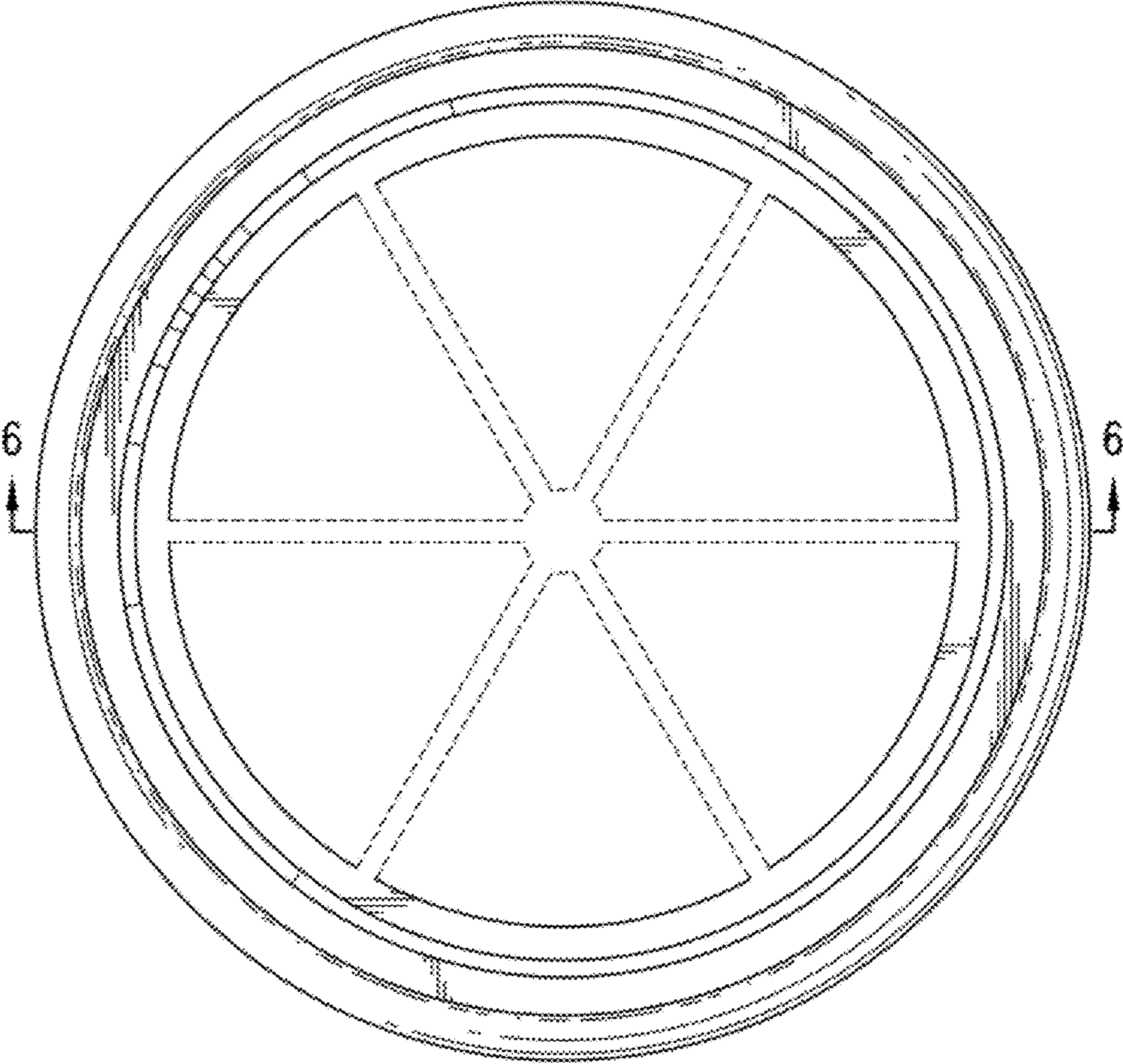


FIG. 4

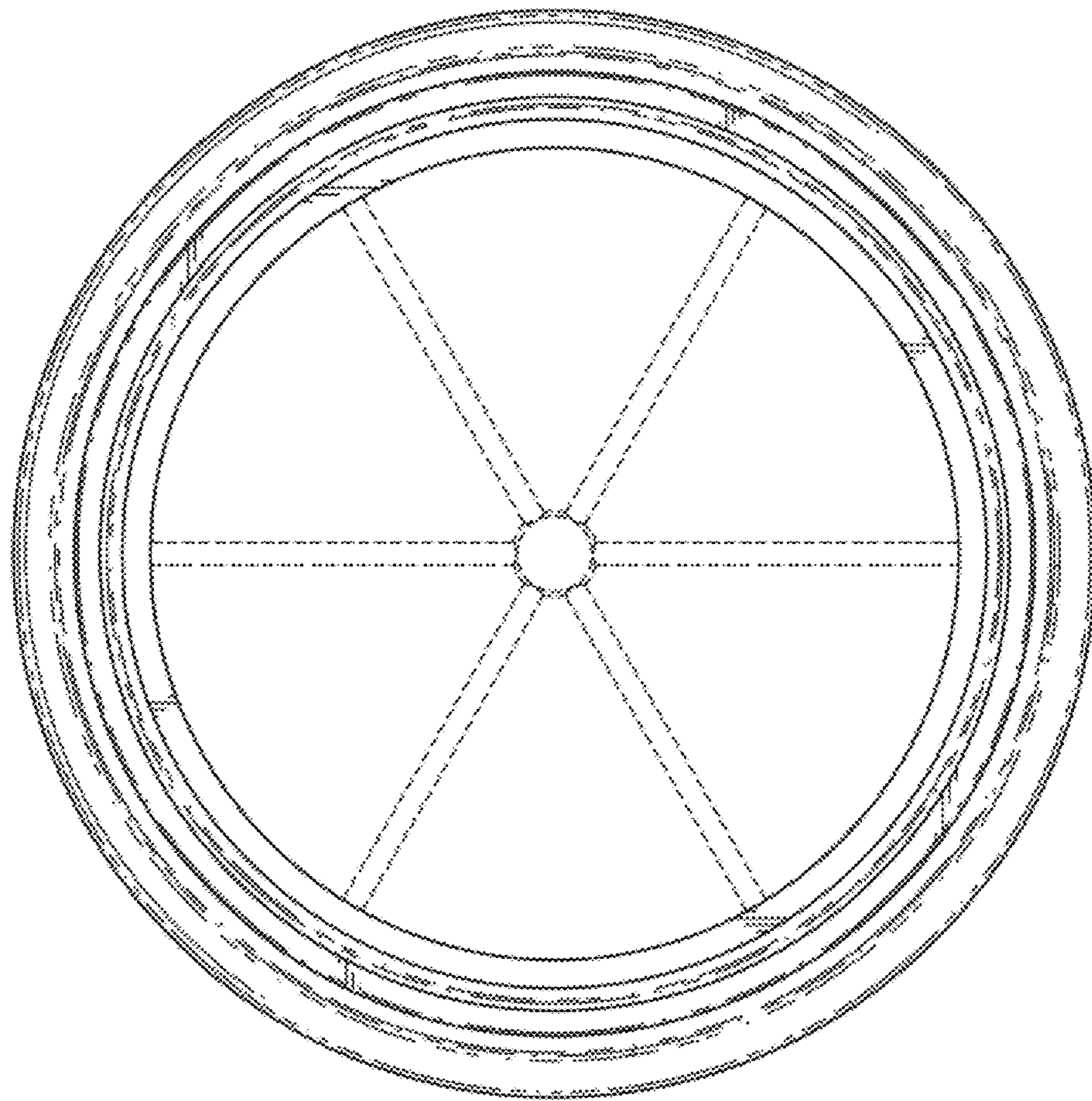


FIG. 5

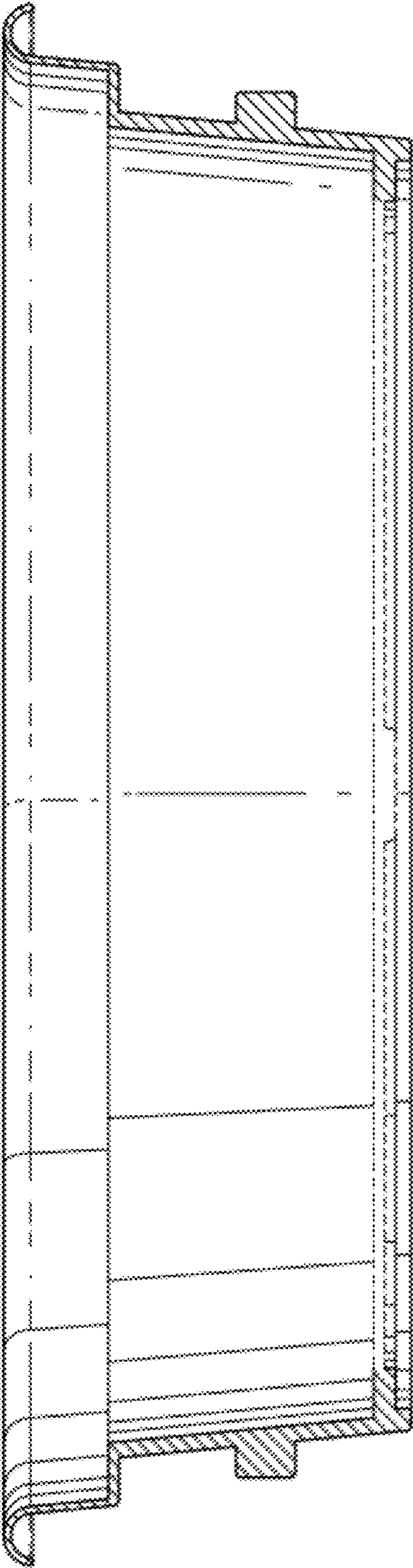


FIG. 6