

US00D666085S

(12) **United States Design Patent**
Ueno

(10) **Patent No.:** **US D666,085 S**
(45) **Date of Patent:** **** Aug. 28, 2012**

(54) **TAG ATTACHING DEVICE**

(75) Inventor: **Hideyuki Ueno**, Yokohama (JP)

(73) Assignee: **M.I.T. International Co., Ltd.**,
Kanagawa (JP)

(**) Term: **14 Years**

(21) Appl. No.: **29/364,518**

(22) Filed: **Jun. 24, 2010**

(30) **Foreign Application Priority Data**

Dec. 25, 2009 (JP) 2009-030253

(51) **LOC (9) Cl.** **08-08**

(52) **U.S. Cl.** **D8/382**

(58) **Field of Classification Search** D8/382,
D8/349, 394, 396; 227/37, 67, 56; 24/16 PB
See application file for complete search history.

(56) **References Cited**

U.S. PATENT DOCUMENTS

3,422,499 A * 1/1969 Merser 24/16 PB
4,367,834 A * 1/1983 Lozio 227/67
4,417,682 A * 11/1983 Furutsu 227/37

D537,333 S * 2/2007 Jowsey D8/396
D559,669 S * 1/2008 Grady et al. D8/394
D559,670 S * 1/2008 Levesque et al. D8/394

* cited by examiner

Primary Examiner — Sheryl Lane

(74) *Attorney, Agent, or Firm* — Greer, Burns & Crain, Ltd.

(57) **CLAIM**

The ornamental design for an tag attaching device, as shown and described.

DESCRIPTION

FIG. 1 is a front view of the tag attaching device showing my new design;

FIG. 2 is a top view of the tag attaching device of FIG. 1, the top view being identical to the bottom view;

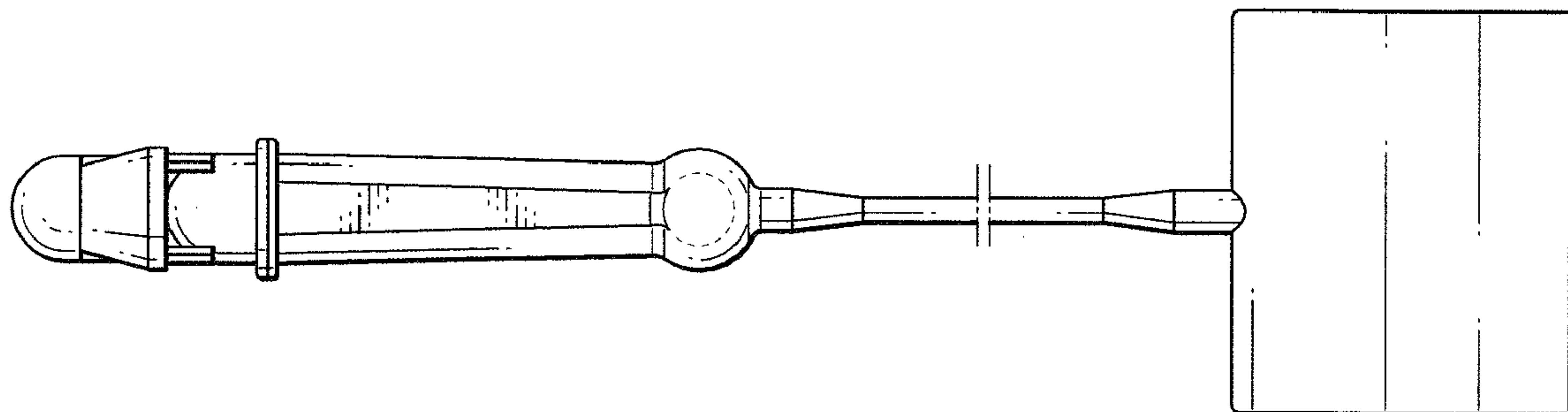
FIG. 3 is a left side view of the tag attaching device of FIG. 1;

FIG. 4 is a right side view of the tag attaching device of FIG. 1; and,

FIG. 5 is a perspective view of the tag attaching device of FIG. 1.

The broken lines in FIGS. 1, 2, and 5, represent portions of the tag attaching device that form no part of the claimed design. The broken lines which define the bounds of the claimed design form no part thereof. The broken lines on the arm portion of the device indicate there is no particular length. The portions of the article shown in broken lines form no part of the claimed design.

1 Claim, 2 Drawing Sheets



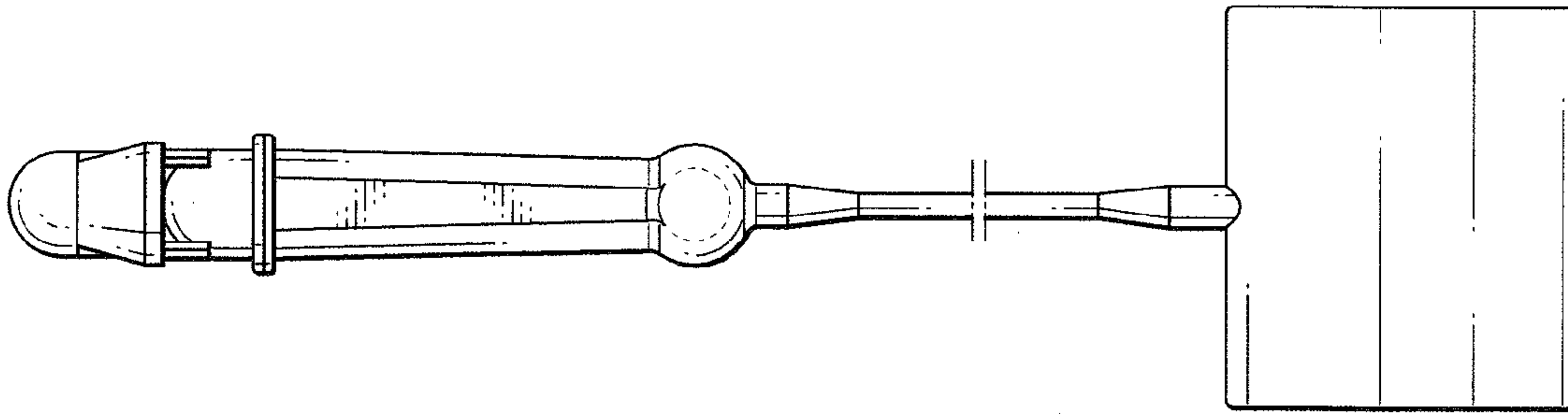


FIG. 1

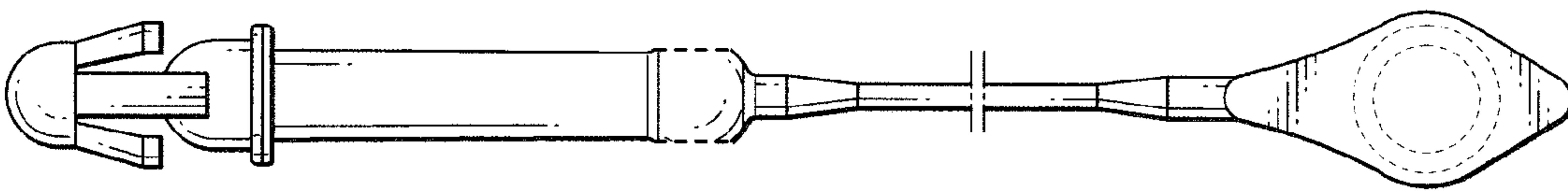


FIG. 2

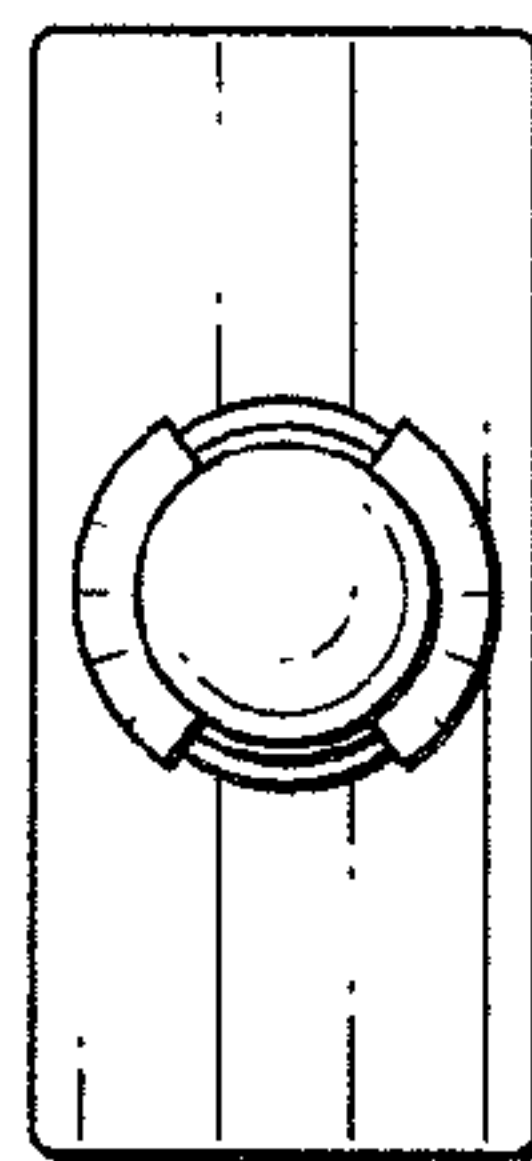


FIG. 3

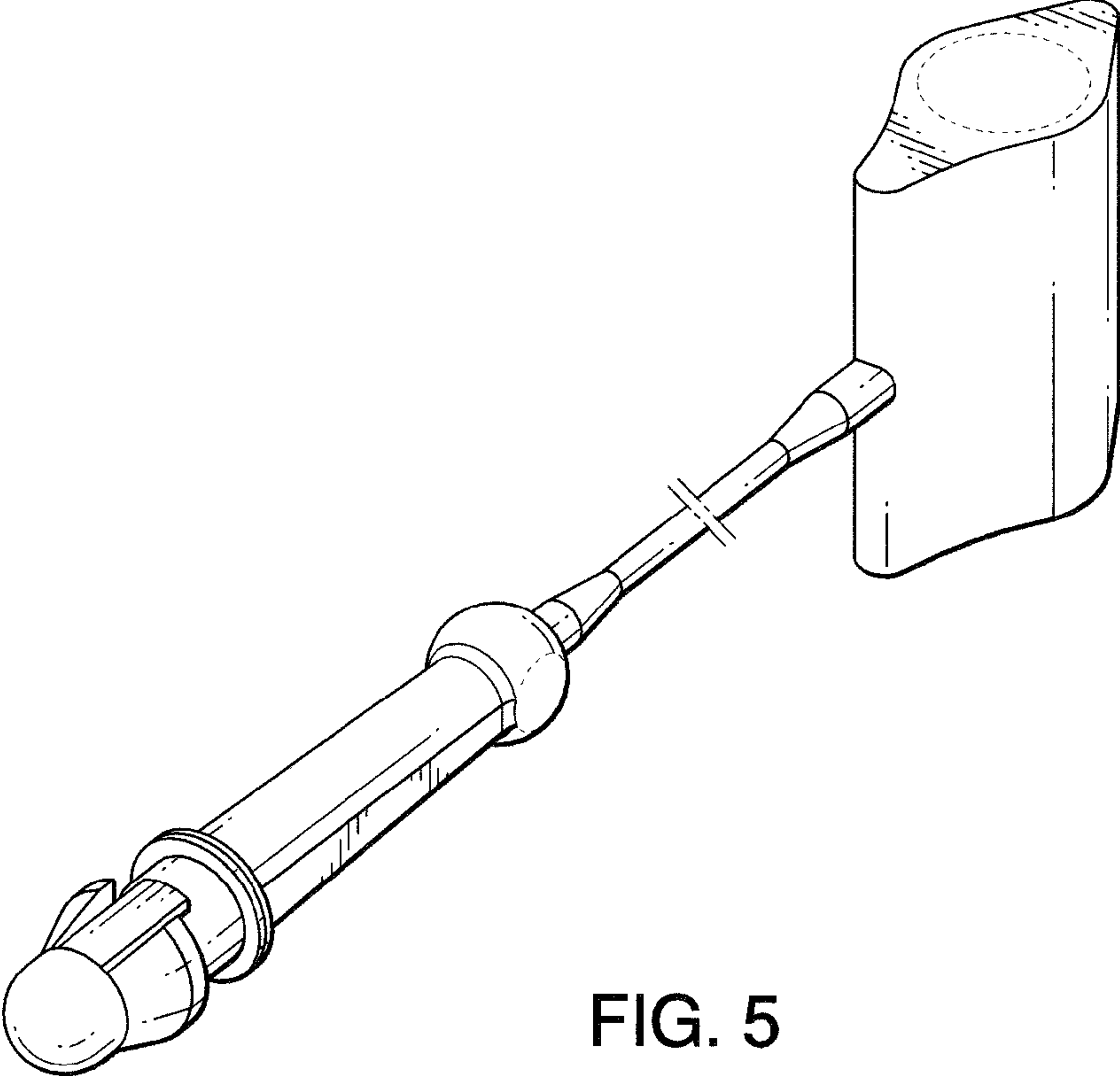


FIG. 5

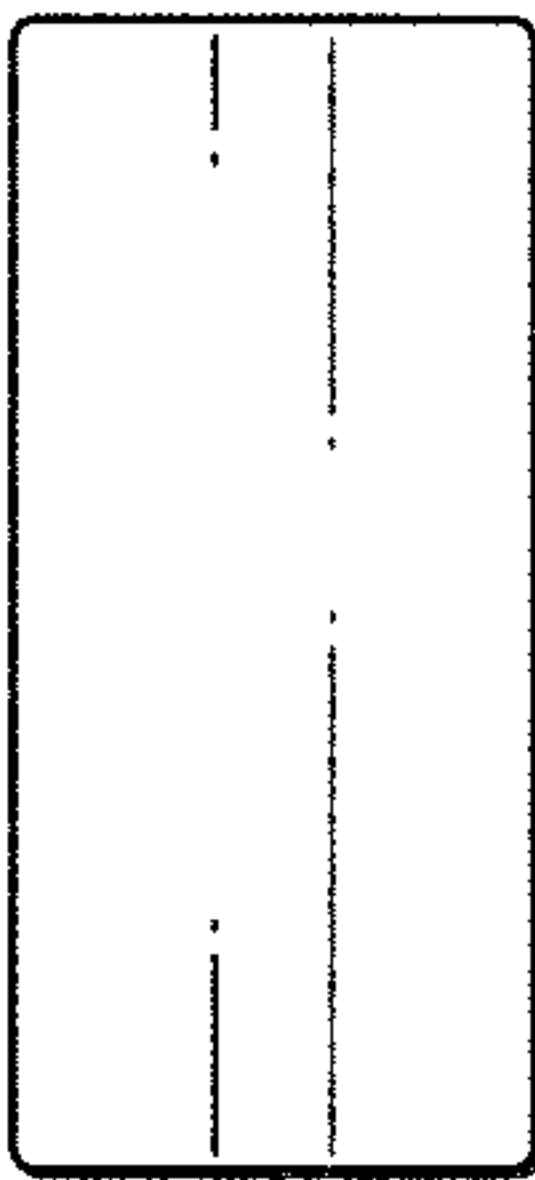


FIG. 4