

US00D666082S

(12) **United States Design Patent**  
**Wu**

(10) **Patent No.:** **US D666,082 S**

(45) **Date of Patent:** **\*\* Aug. 28, 2012**

(54) **SUCTION-TYPE BRACKET**

(75) Inventor: **Shih-Piao Wu**, Changhua (TW)

(73) Assignee: **Jiin Haur Industrial Co., Ltd.**,  
Changhua (TW)

(\*\*) Term: **14 Years**

(21) Appl. No.: **29/399,804**

(22) Filed: **Aug. 18, 2011**

(51) **LOC (9) Cl.** ..... **08-05**

(52) **U.S. Cl.** ..... **D8/367**

(58) **Field of Classification Search** ..... D8/367,  
D8/354, 349, 323, 382, 328; 294/143; 211/118;  
D12/115; 248/340

See application file for complete search history.

(56) **References Cited**

**U.S. PATENT DOCUMENTS**

D240,194 S *	6/1976	Foster	.....	D8/367
D431,912 S *	10/2000	Bailey	.....	D6/323
D447,012 S *	8/2001	Owens et al.	.....	D7/620
D533,055 S *	12/2006	Brassard	.....	D8/373
D535,482 S *	1/2007	Jackson	.....	D6/323
D583,653 S *	12/2008	Thompson et al.	.....	D8/367
D587,188 S *	2/2009	Mo	.....	D12/415
D595,565 S *	7/2009	Robertson et al.	.....	D8/354

D603,322 S *	11/2009	Nicieja	.....	D12/415
D608,620 S *	1/2010	Morgenroth	.....	D8/354
D638,008 S *	5/2011	Richter	.....	D14/253

\* cited by examiner

*Primary Examiner* — Cynthia Underwood

(74) *Attorney, Agent, or Firm* — Che-Yang Chen; Law  
Office of Michael Chen

(57) **CLAIM**

The ornamental design for a suction-type bracket, as shown  
and described.

**DESCRIPTION**

FIG. 1 is a perspective view of a suction-type bracket showing  
my new design;

FIG. 2 is a front view of the embodiment shown in FIG. 1;

FIG. 3 is a rear view of the embodiment shown in FIG. 1;

FIG. 4 is a left side view of the embodiment shown in FIG. 1;

FIG. 5 is a right side view of the embodiment shown in FIG.

1;

FIG. 6 is a top view of the embodiment shown in FIG. 1;

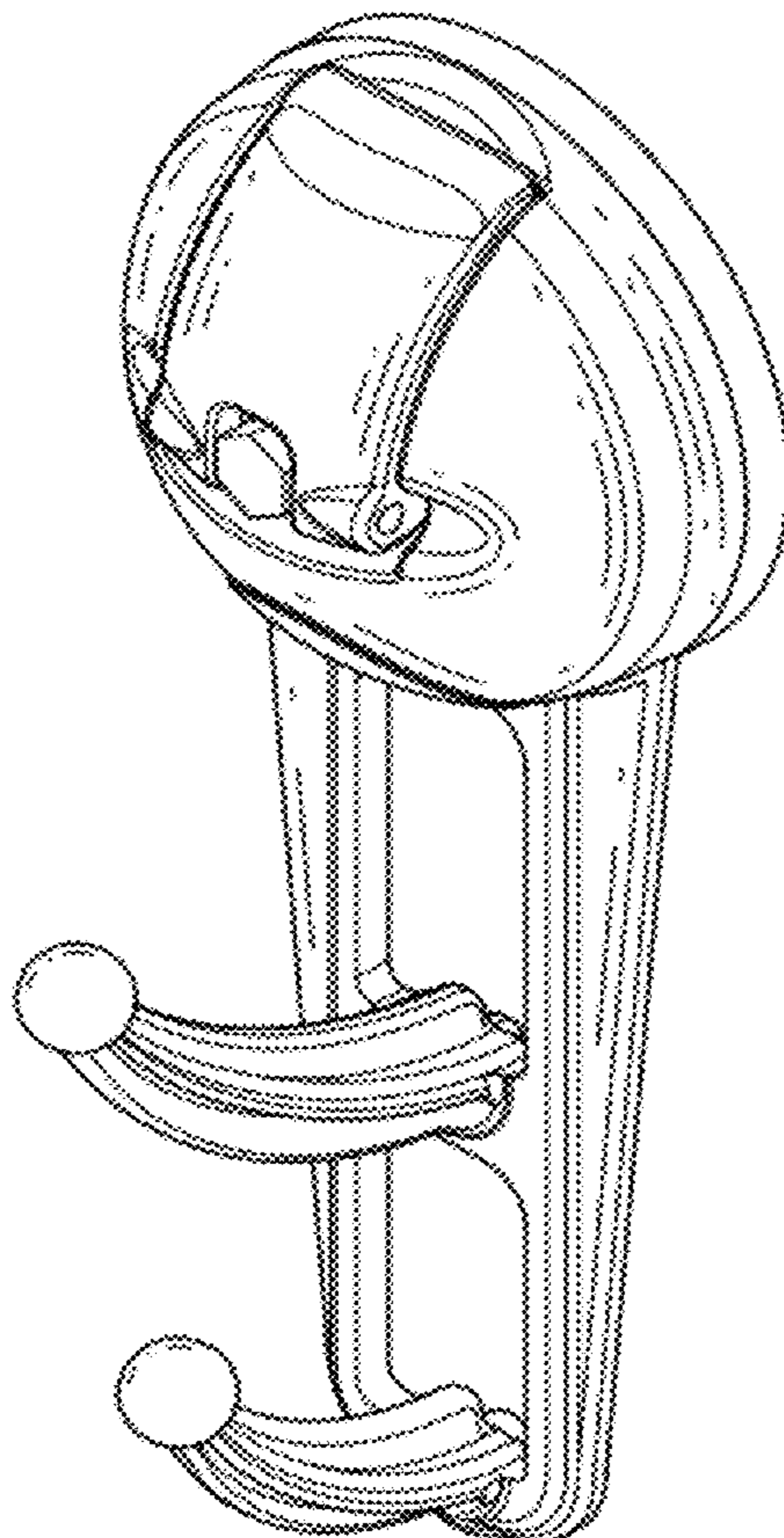
FIG. 7 is a bottom view of the embodiment shown in FIG. 1;

and,

FIG. 8 is a perspective schematic view illustrating an appli-  
cation of a suction-type bracket showing my design.

The broken lines are for illustrative purposes only and form  
no part of the claim.

**1 Claim, 7 Drawing Sheets**



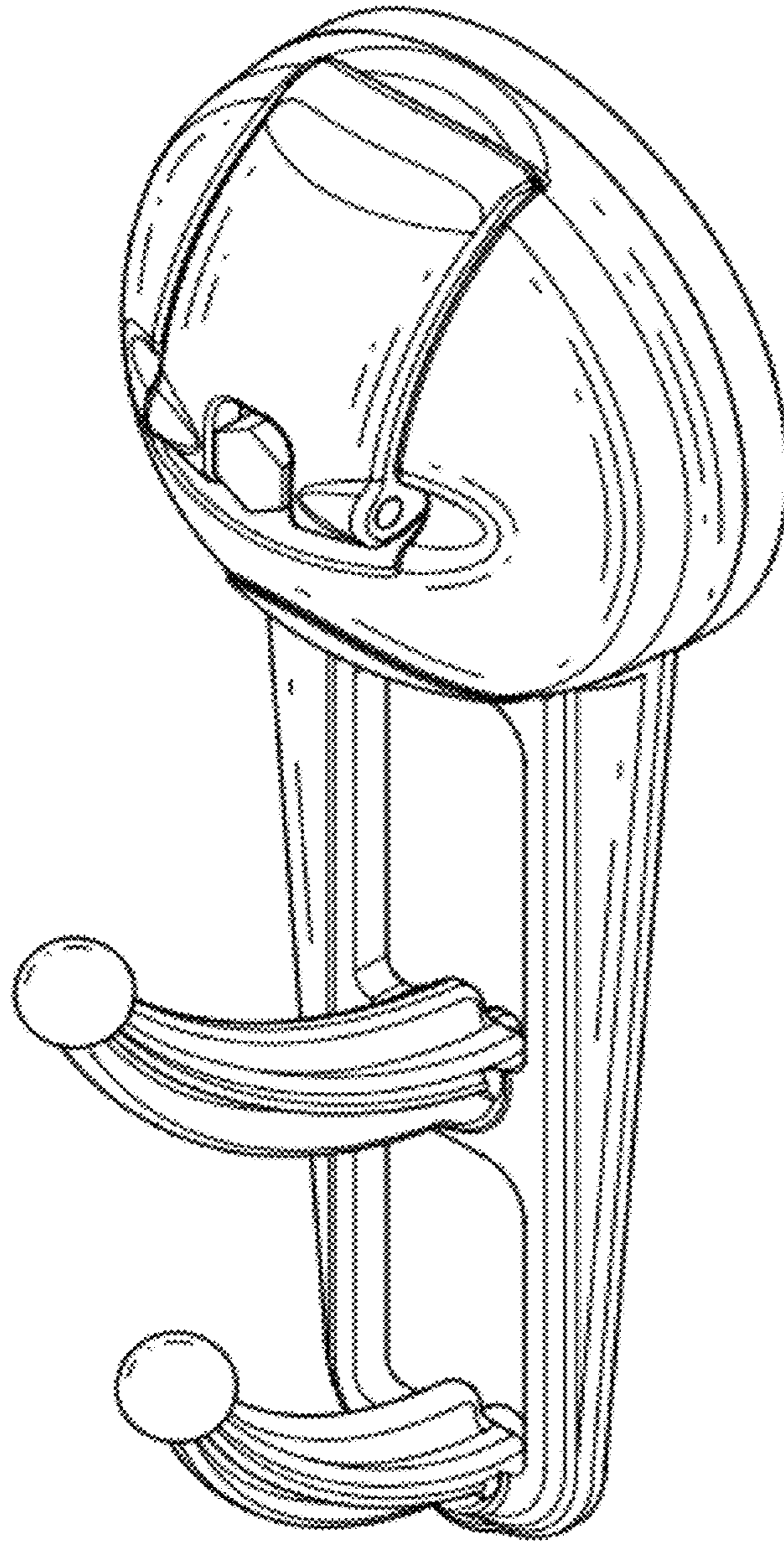


FIG. 1

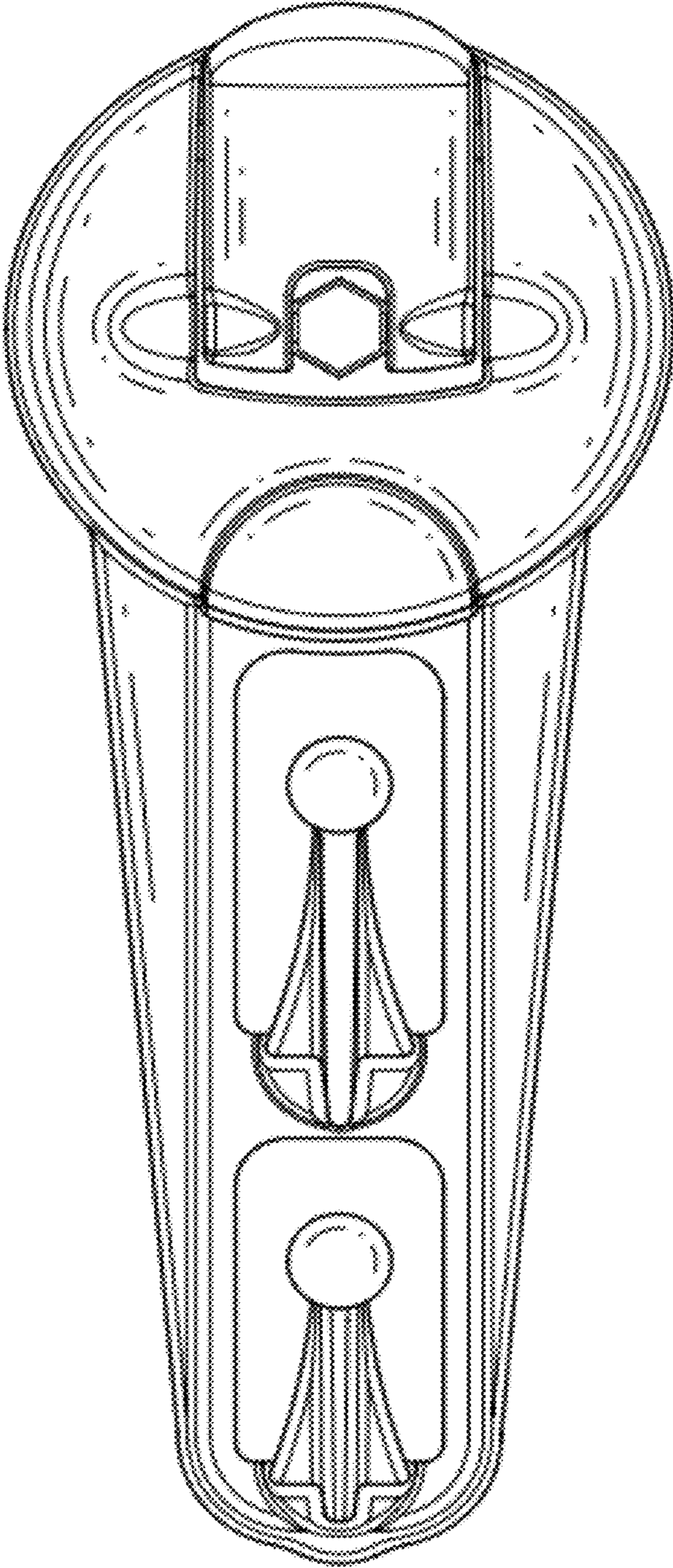


FIG. 2

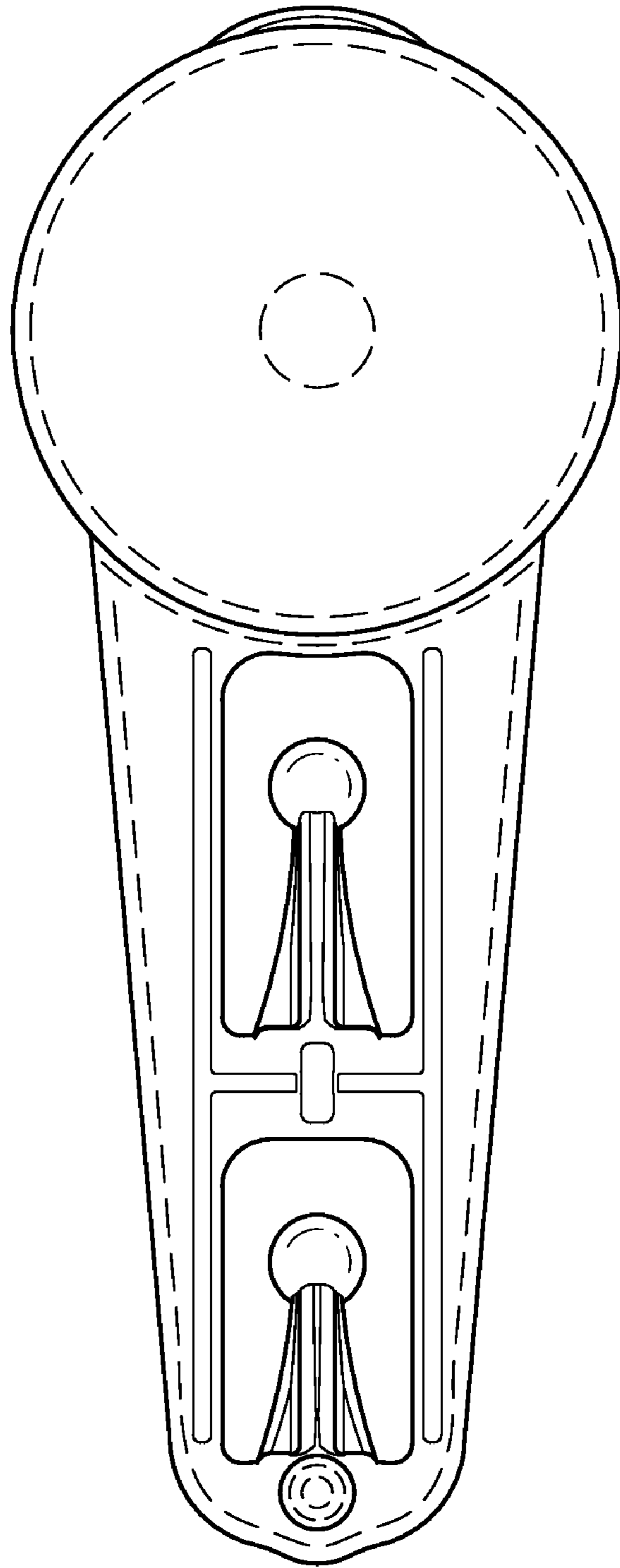


FIG. 3

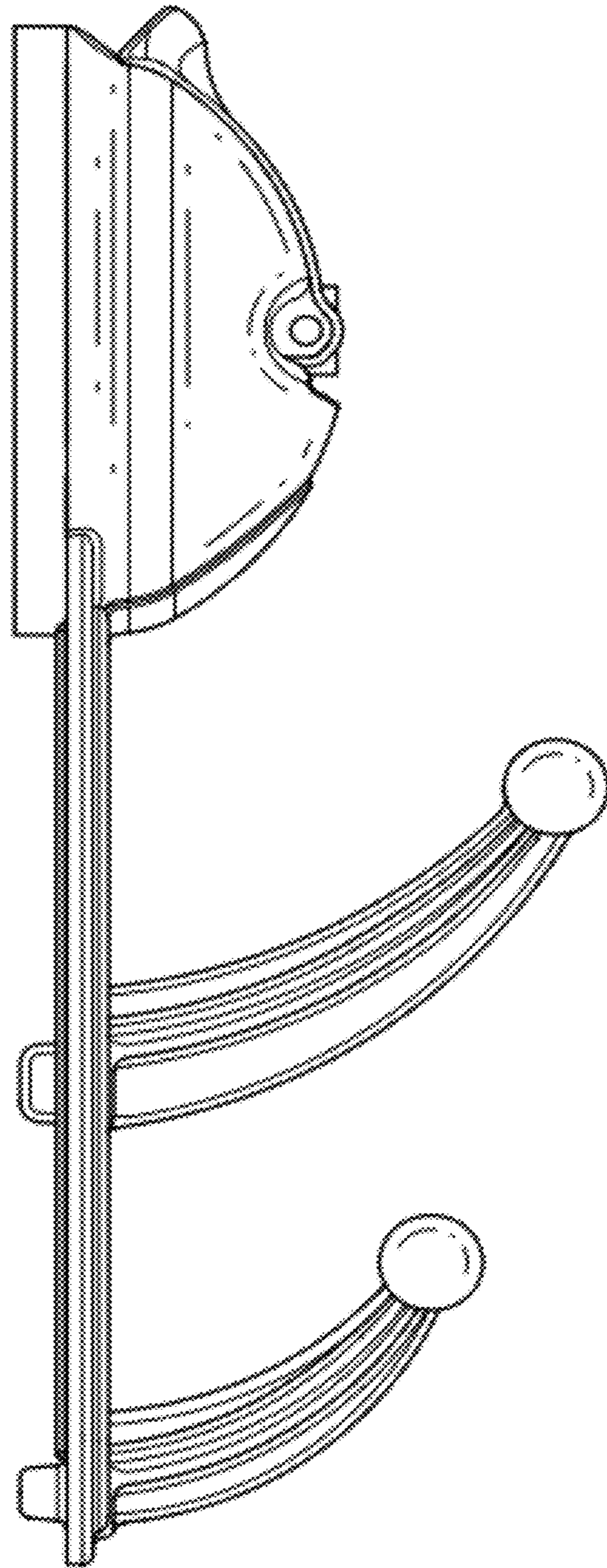


FIG. 4

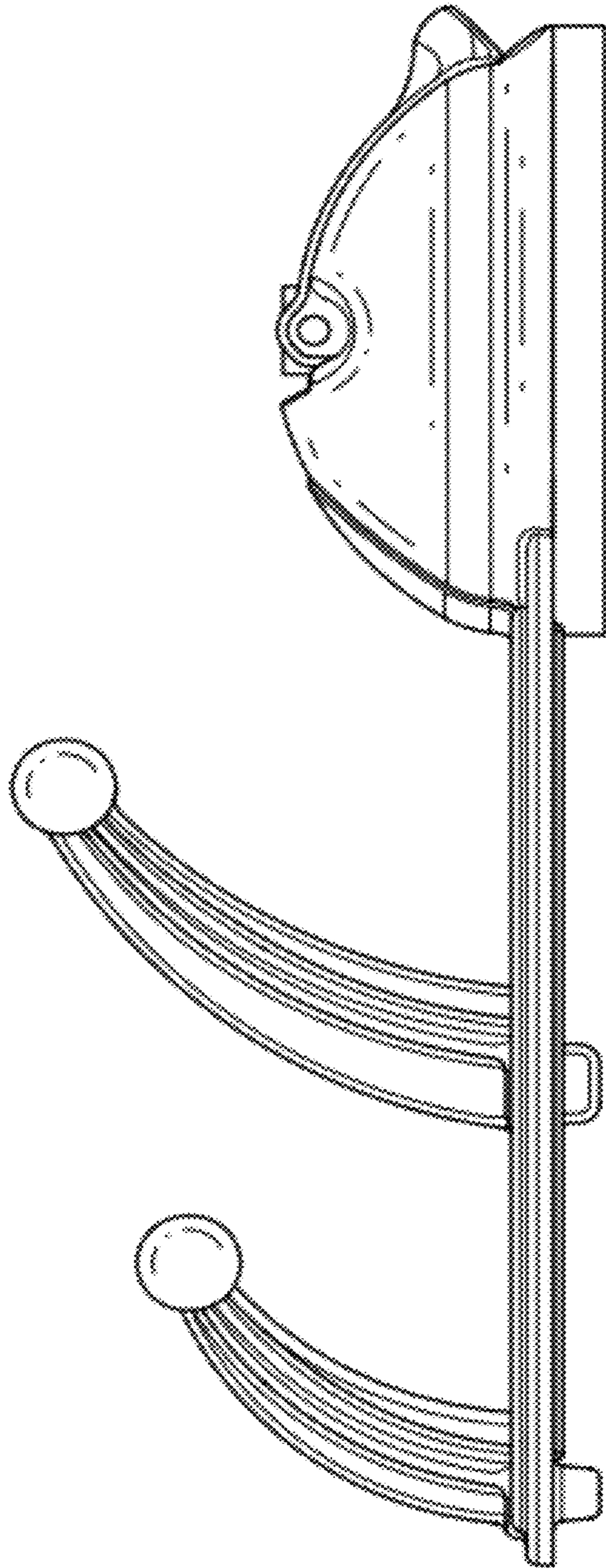


FIG. 5

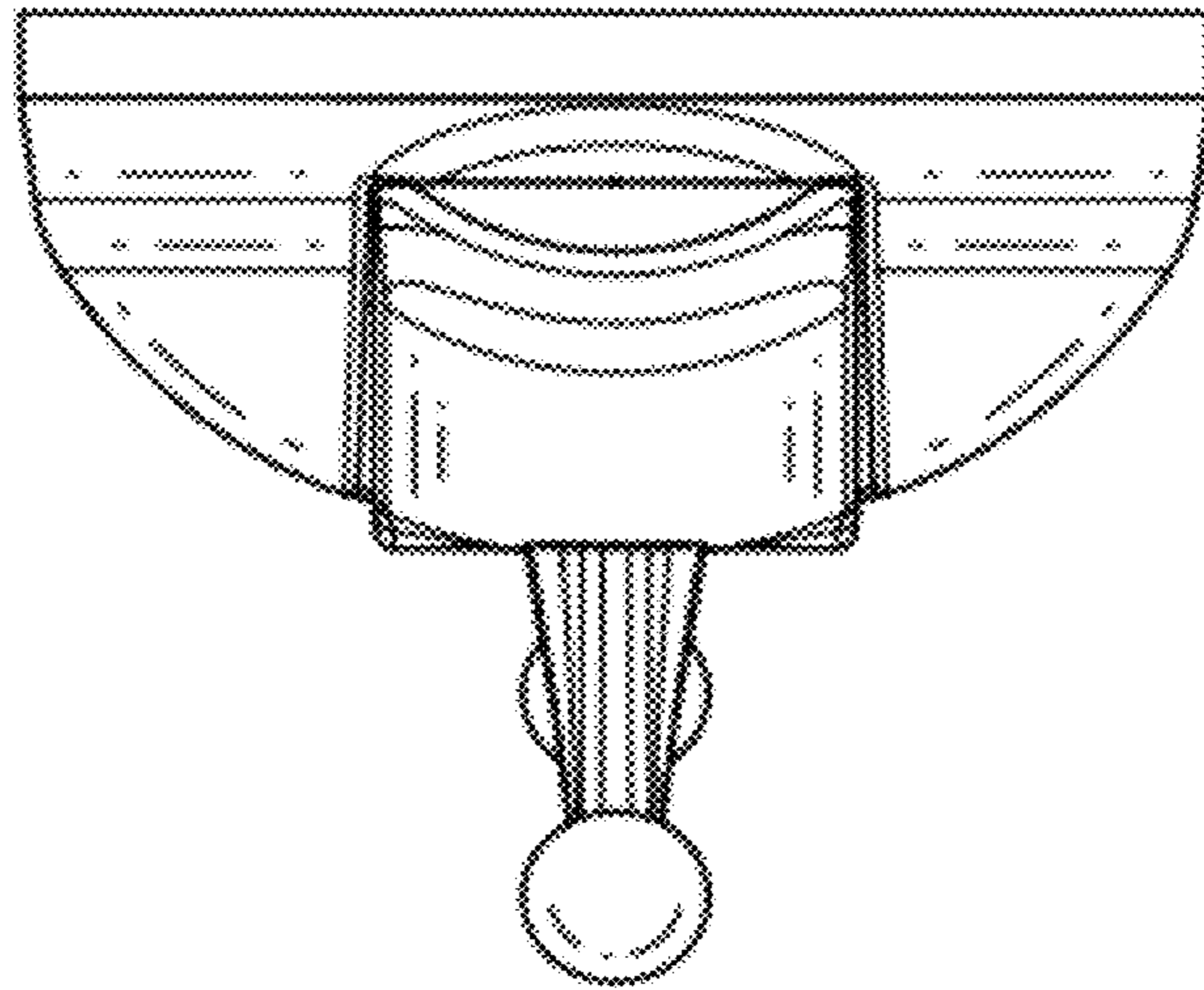


FIG. 6

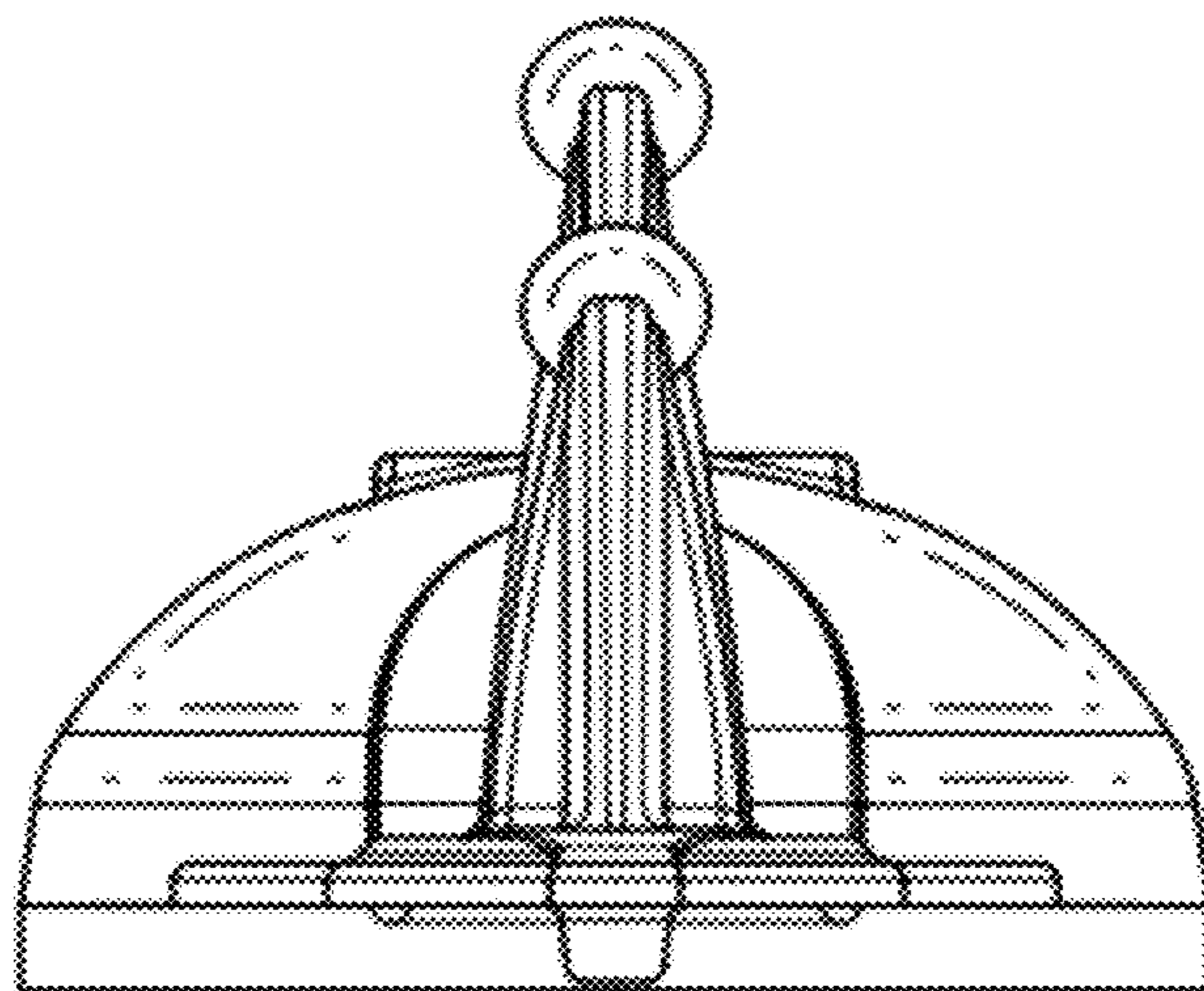


FIG. 7

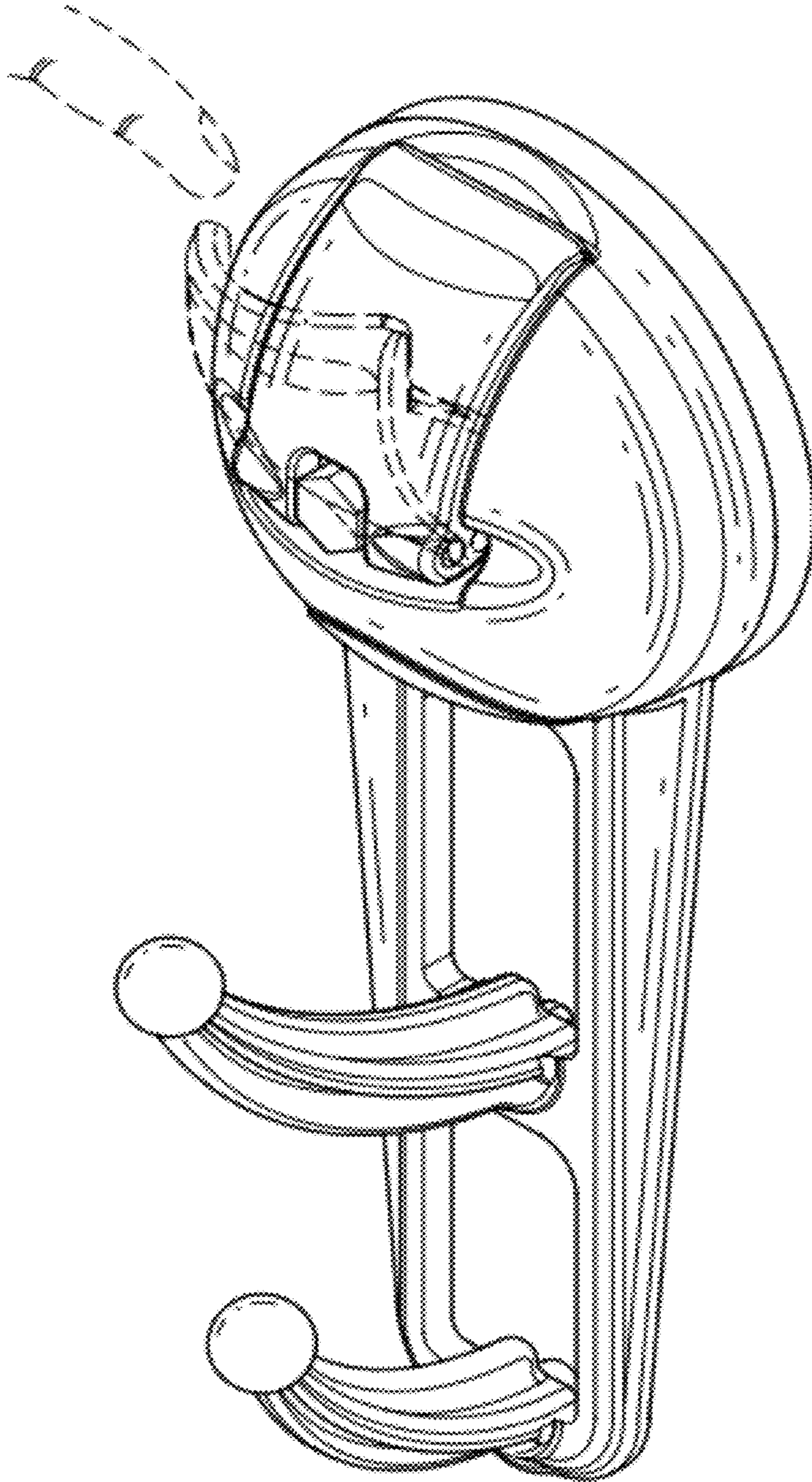


FIG. 8