

US00D666079S

(12) **United States Design Patent**  
**Flores**

(10) **Patent No.:** **US D666,079 S**

(45) **Date of Patent:** **\*\* Aug. 28, 2012**

(54) **WIRE SPOOL**

(76) Inventor: **Jorge Flores**, Resaca, GA (US)

(\*\*) Term: **14 Years**

(21) Appl. No.: **29/388,279**

(22) Filed: **Mar. 28, 2011**

(51) **LOC (9) Cl.** ..... **08-05**

(52) **U.S. Cl.** ..... **D8/358**

(58) **Field of Classification Search** ..... D8/356,  
D8/358; 242/85.1, 86.5 R, 129; 248/97,  
248/99; 244/155 R

See application file for complete search history.

(56) **References Cited**

**U.S. PATENT DOCUMENTS**

351,427	A	10/1886	Dalius	
D127,614	S	2/1941	Bishop	
3,292,877	A *	12/1966	McMasters	242/129
4,469,289	A	9/1984	Gebo	
4,955,557	A	9/1990	Sewelly	
D344,229	S *	2/1994	Nelson	D8/358

D396,404	S *	7/1998	Hong	D8/358
D425,404	S *	5/2000	Thomas et al.	D8/358
6,305,637	B1	10/2001	Back	
6,702,226	B1	3/2004	Bowling	

\* cited by examiner

*Primary Examiner* — Susan Bennett Hattan

*Assistant Examiner* — Barbara B Lohr

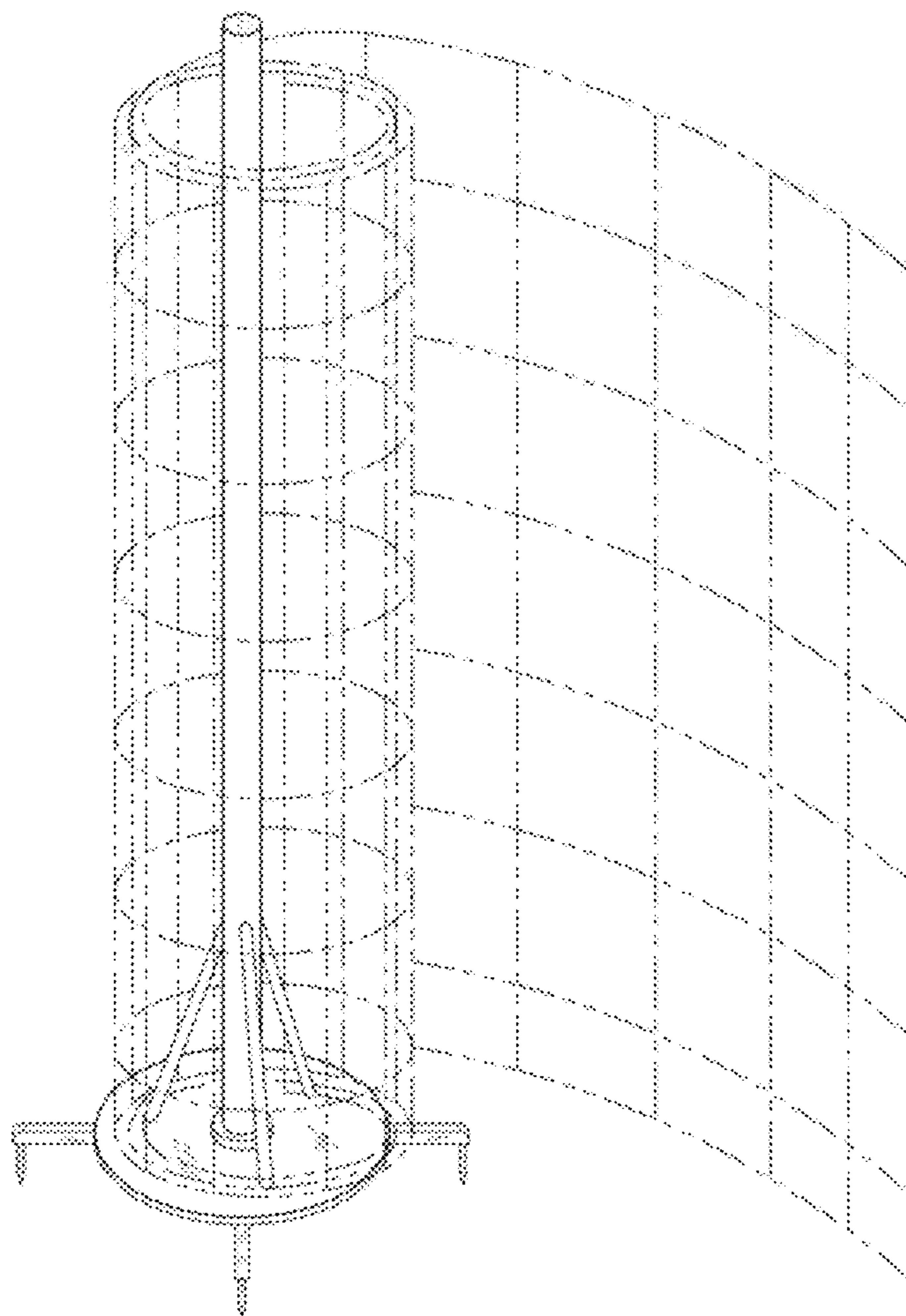
(57) **CLAIM**

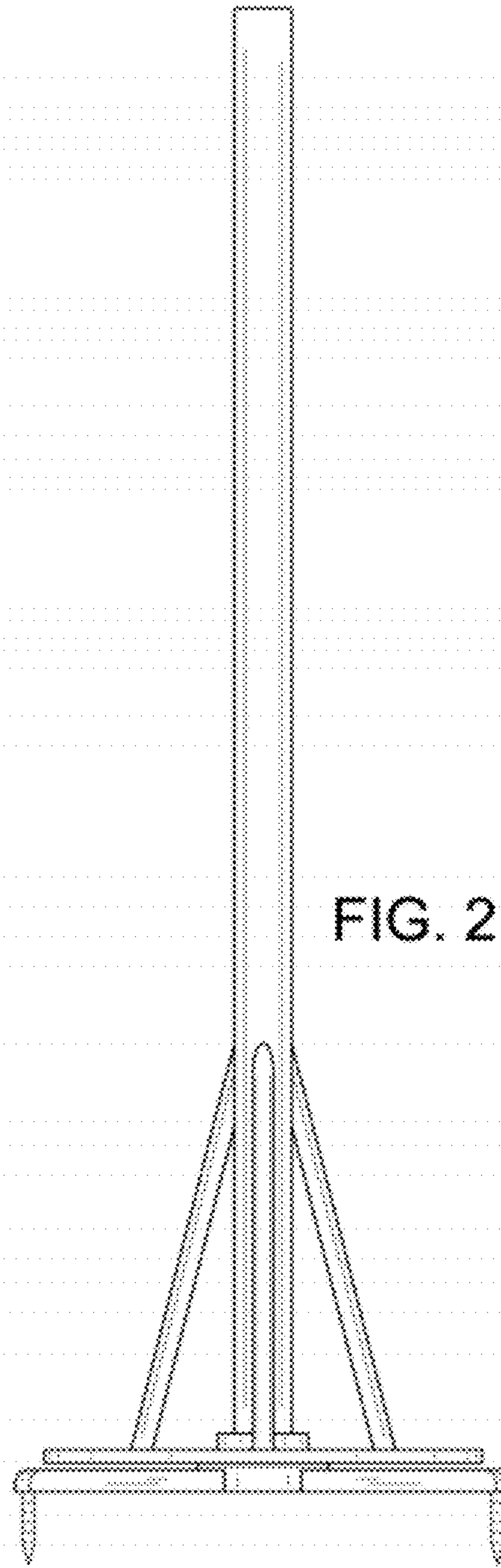
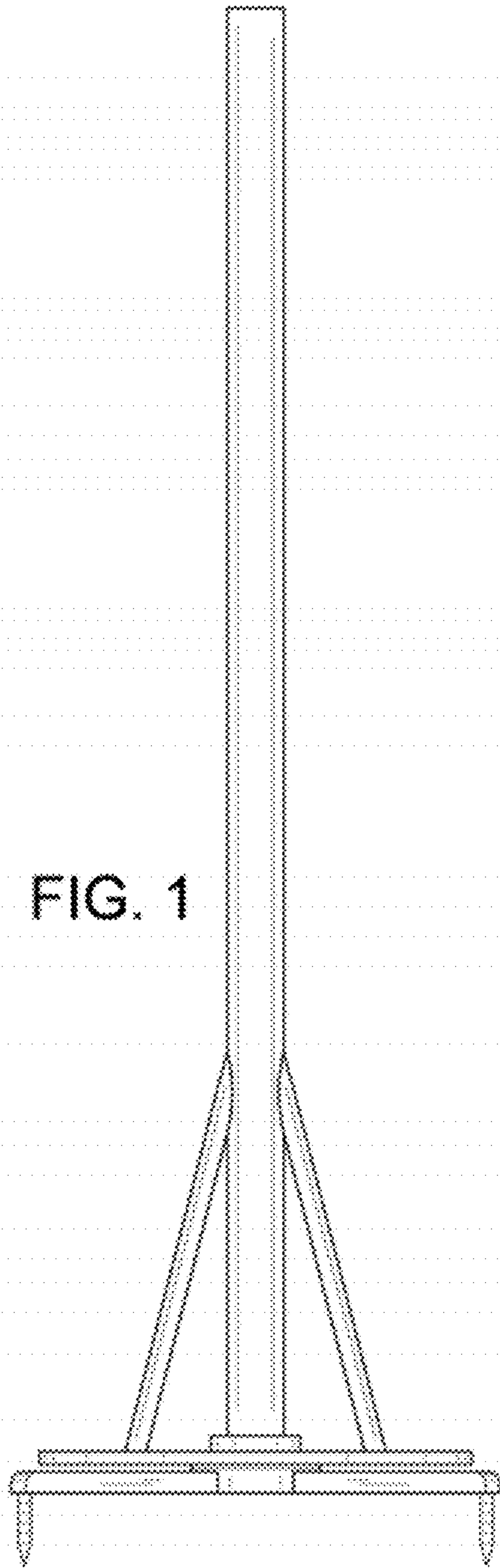
I claim the ornamental design for the wire spool, as shown and described.

**DESCRIPTION**

FIG. 1 is a front view of the wire spool.  
FIG. 2 is a rear view of the claimed design.  
FIG. 3 is a side view of the claimed design.  
FIG. 4 is a top view of the claimed design.  
FIG. 5 is a bottom view of the claimed design; and,  
FIG. 6 is a perspective view of the claimed design in which a roll of fencing wire is unwinding thereon, and which is depicted in broken lines as environmental matter forming no part of the claimed design.

**1 Claim, 3 Drawing Sheets**





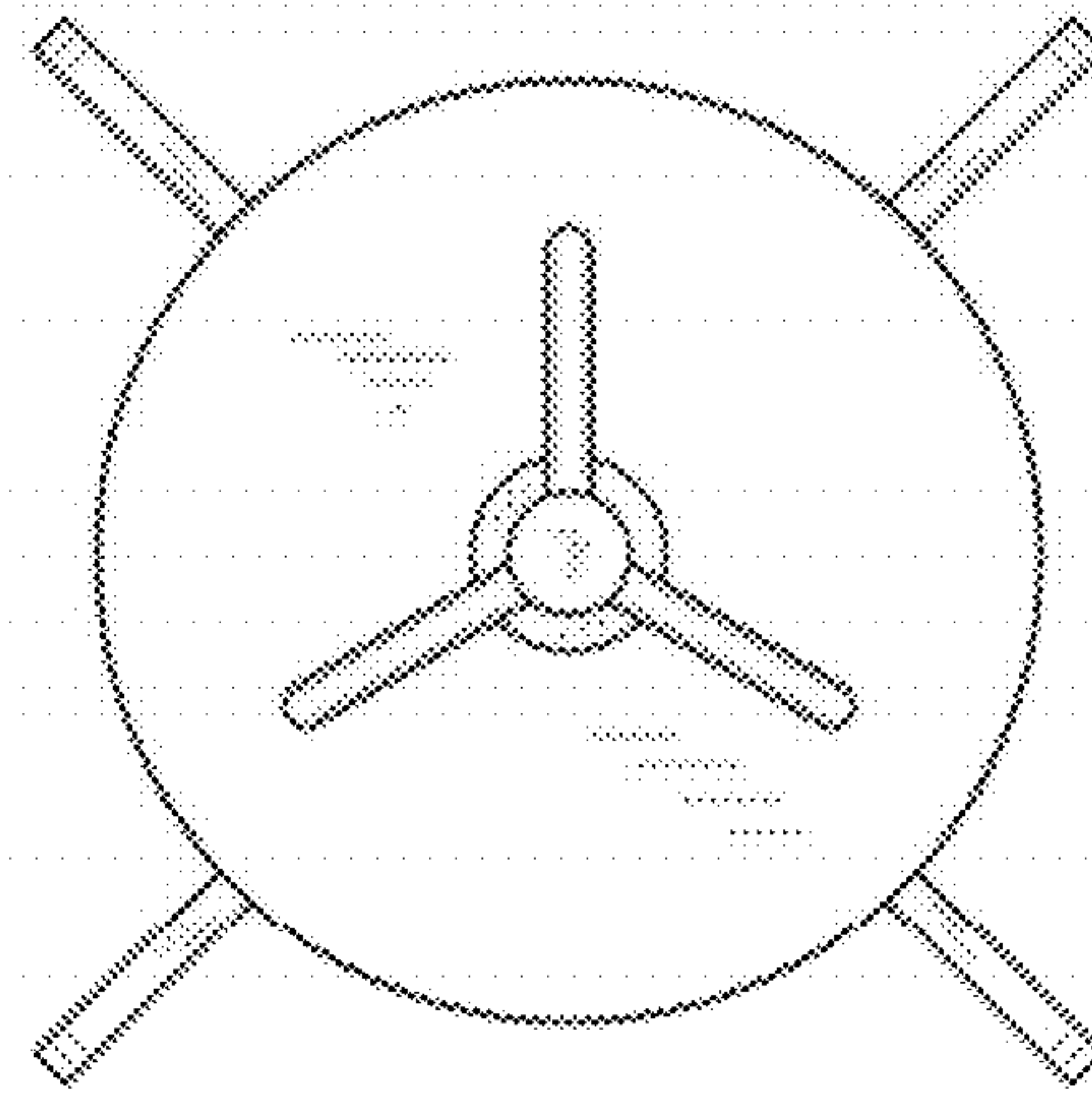
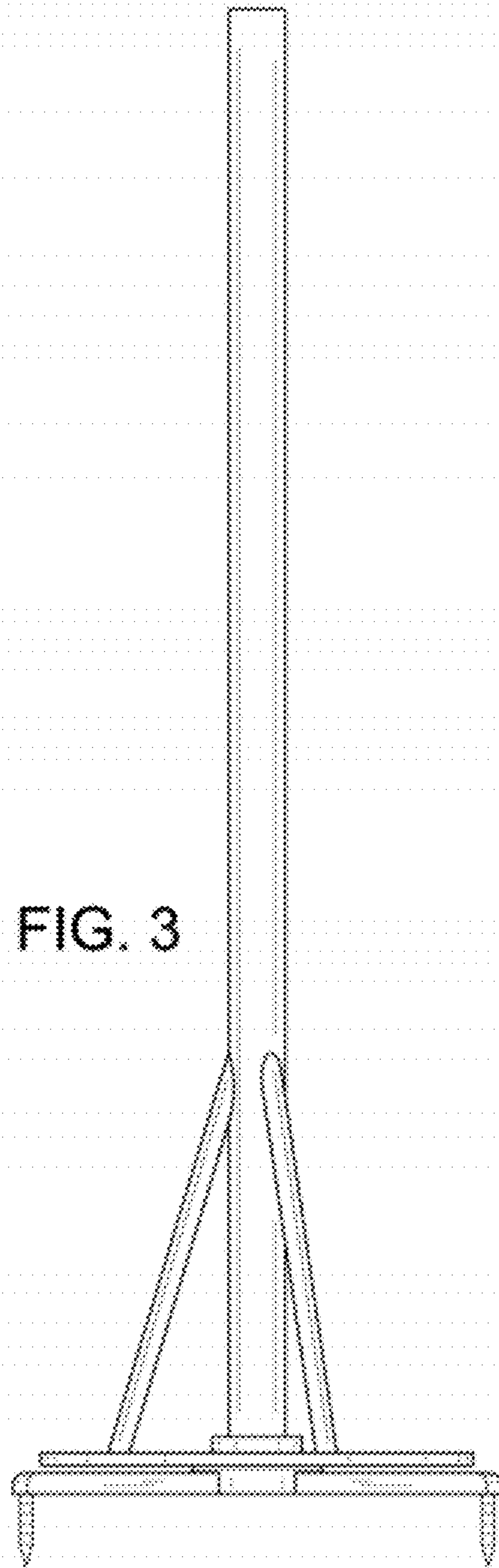


FIG. 4

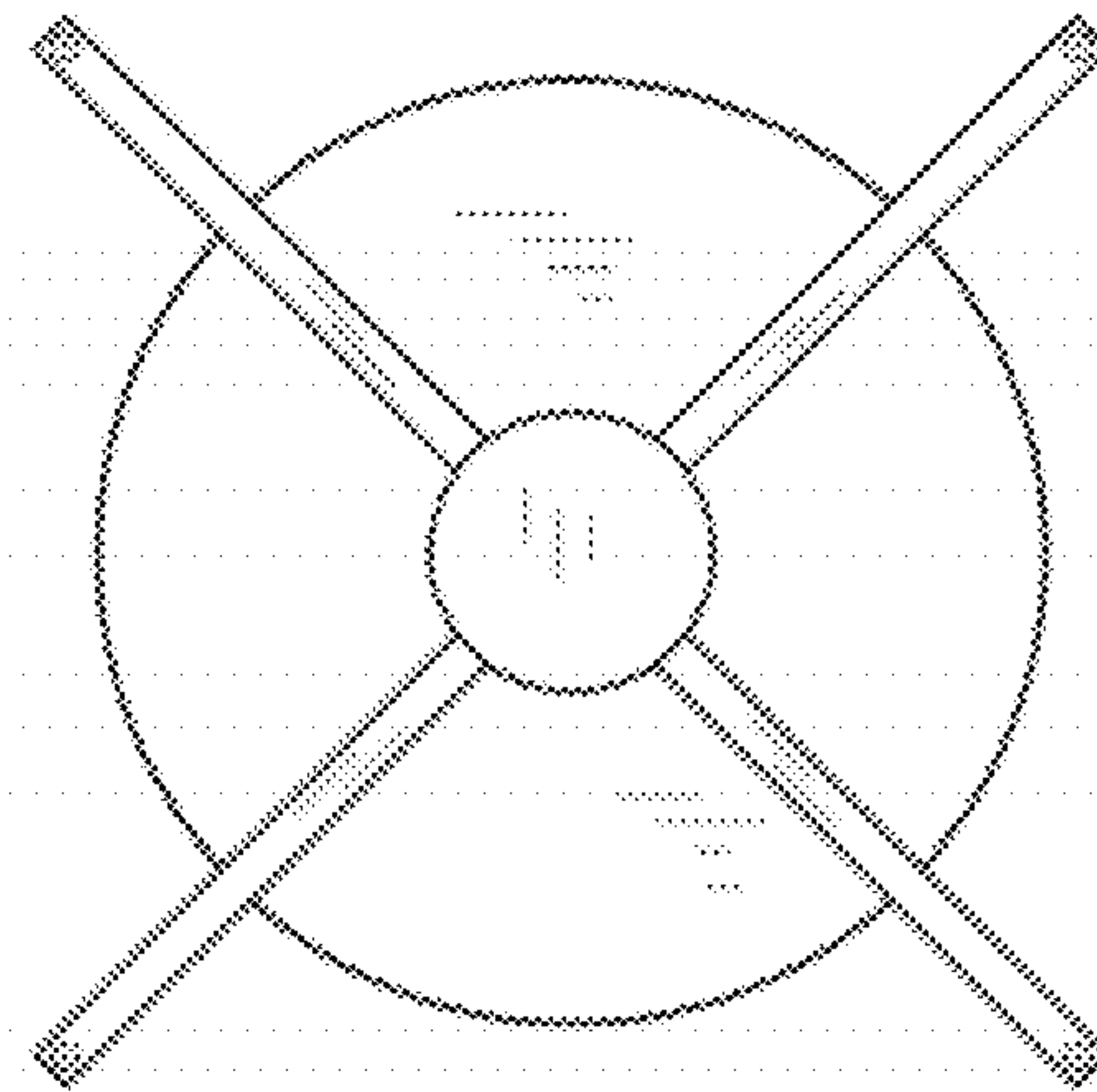


FIG. 5



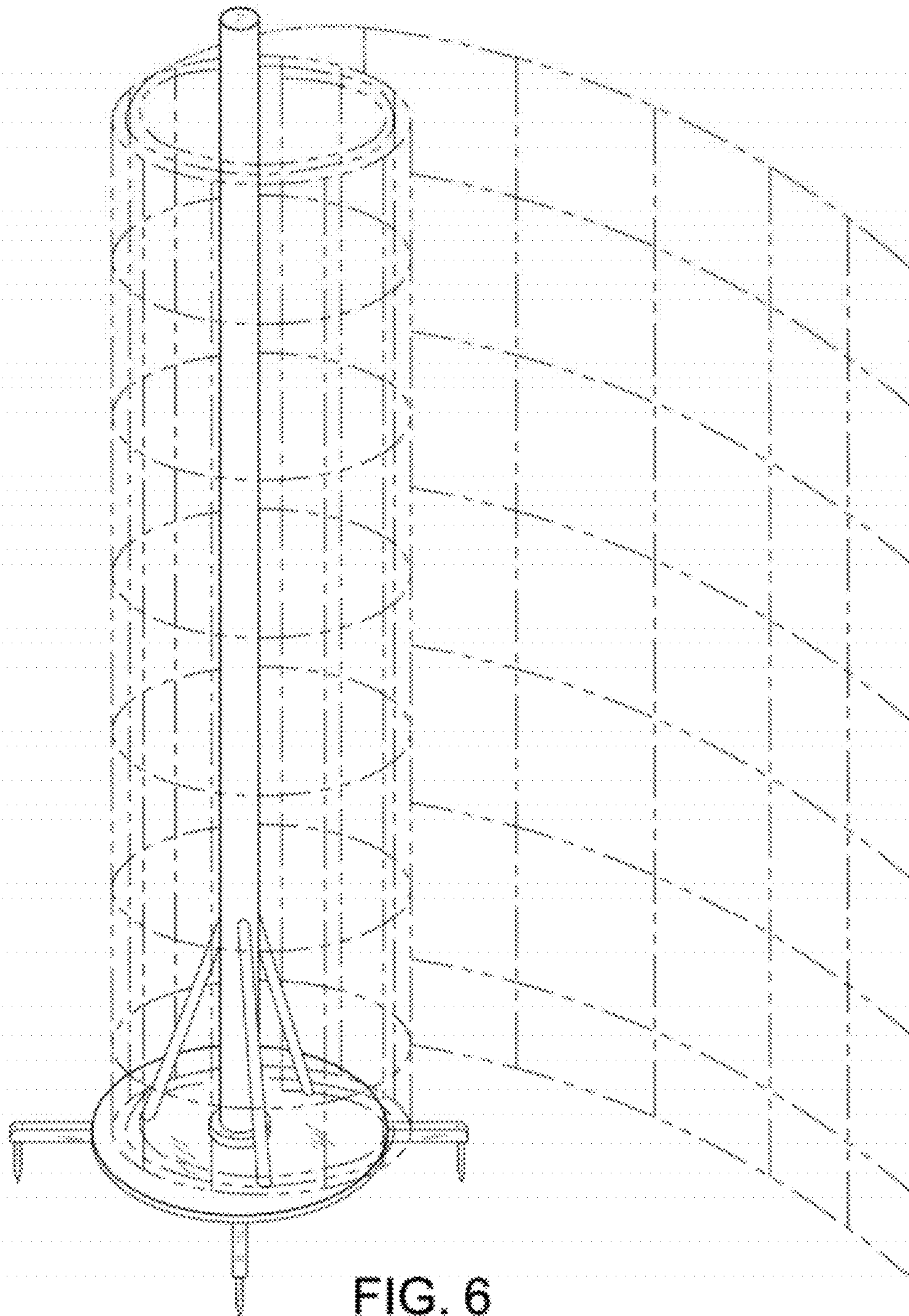


FIG. 6