



US00D666074S

(12) **United States Design Patent**
Genord et al.

(10) **Patent No.:** **US D666,074 S**

(45) **Date of Patent:** **** Aug. 28, 2012**

(54) **DOOR LOCK**

(75) Inventors: **Daniel Genord**, South Lyon, MI (US);
Curtis J. Bailey, Birmingham, MI (US);
James M. Stenz, Fenton, MI (US);
Joshua Rigg, Clarkston, MI (US); **David**
J. Wilson, Kimball, MI (US)

(73) Assignee: **Schlage Lock Company**, Carmel, IN
(US)

(**) Term: **14 Years**

(21) Appl. No.: **29/410,828**

(22) Filed: **Jan. 12, 2012**

Related U.S. Application Data

(62) Division of application No. 29/367,709, filed on Aug.
12, 2010.

(51) **LOC (9) Cl.** **08-07**

(52) **U.S. Cl.** **D8/330; D8/331**

(58) **Field of Classification Search** D8/330,
D8/331, 334, 300, 301; 70/14, 20–22, 57,
70/57.1, 284–286, 314, DIG. 44
See application file for complete search history.

(56) **References Cited**

U.S. PATENT DOCUMENTS

5,475,996	A	12/1995	Chen	
5,987,945	A *	11/1999	Ruano Aramburu	70/277
6,725,693	B2 *	4/2004	Yu et al.	70/107
6,733,050	B1 *	5/2004	Yao	292/169
6,758,070	B2 *	7/2004	Yu et al.	70/107
D495,943	S *	9/2004	Hentschel et al.	D8/330
7,091,429	B2 *	8/2006	Case et al.	200/5 A
D533,763	S *	12/2006	Wright et al.	D8/330
D545,172	S *	6/2007	Kaiser et al.	D8/331
D552,966	S *	10/2007	Roberts et al.	D8/350
D552,967	S	10/2007	Roberts et al.	
D570,188	S	6/2008	Luo	

D576,016	S	9/2008	Min
D581,246	S	11/2008	Conway
D593,399	S	6/2009	Douglas et al.
D595,109	S	6/2009	Doucet et al.
7,540,177	B1	6/2009	Luo
D607,303	S	1/2010	Kim et al.
D639,135	S	6/2011	Doucet et al.

OTHER PUBLICATIONS

Ingersoll Rand Security Technologies AD-Series Product Tour Brochure, dated Feb. 2, 2010.

Ingersoll Rand Security Technologies AD-200 Offline Electronic Lock Brochure, dated Sep. 1, 2009.

Ingersoll Rand Security Technologies AD-250 Offline Electronic Lock Brochure, dated Sep. 1, 2009.

Ingersoll Rand Security Technologies AD-300 Hardwired Electronic Lock Brochure, dated Sep. 1, 2009.

Ingersoll Rand Security Technologies AD-400 Wireless Electronic Lock Brochure, dated Sep. 1, 2009.

* cited by examiner

Primary Examiner — Prabhakar Deshmukh

(74) *Attorney, Agent, or Firm* — Michael Best & Friedrich LLP

(57) **CLAIM**

We claim the ornamental design for a door lock, as shown and described.

DESCRIPTION

FIG. 1 is a perspective view of a door lock showing our new design;

FIG. 2 is a front elevational view thereof;

FIG. 3 is a right side elevational view thereof;

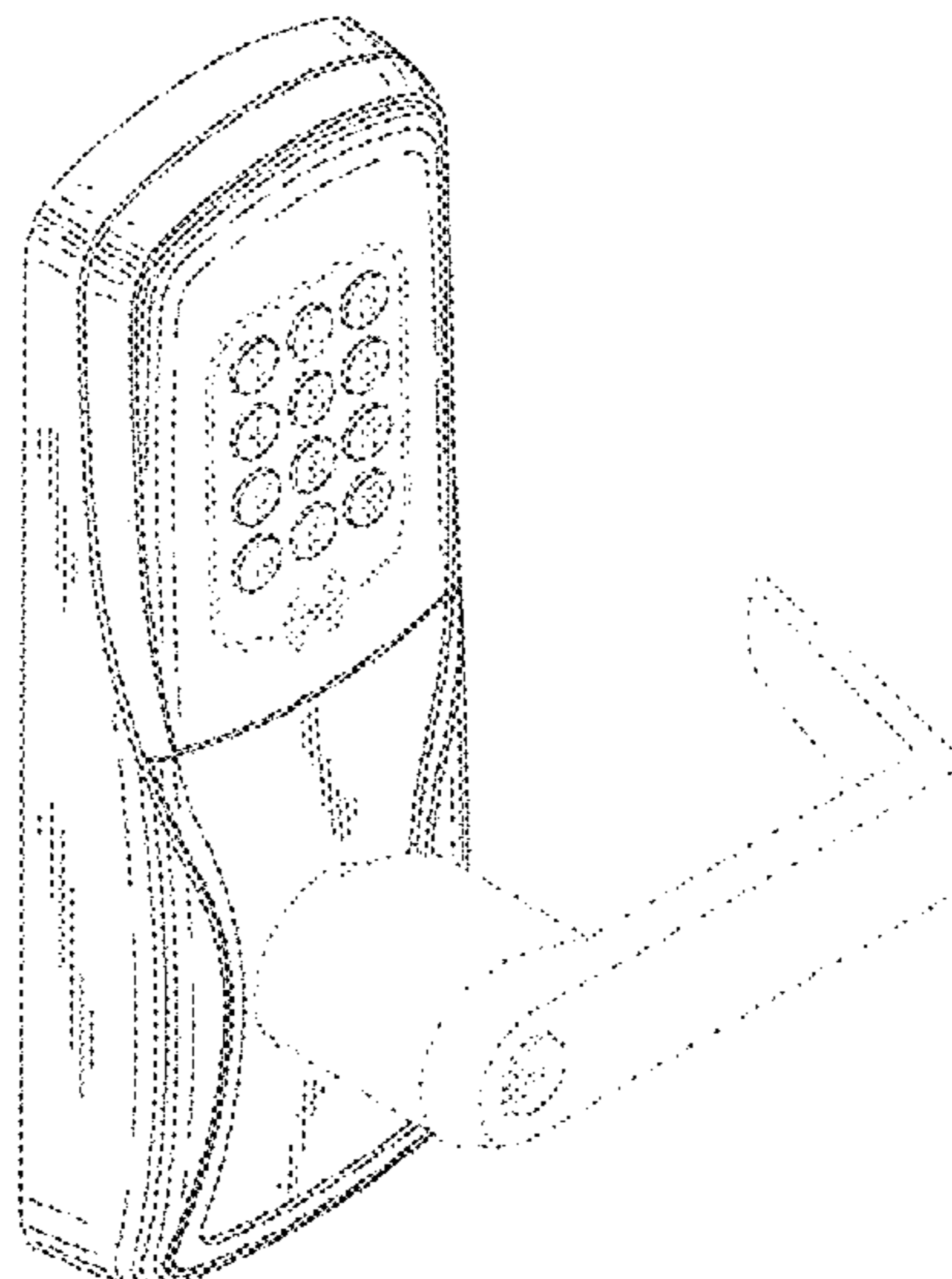
FIG. 4 is a left side elevational view thereof;

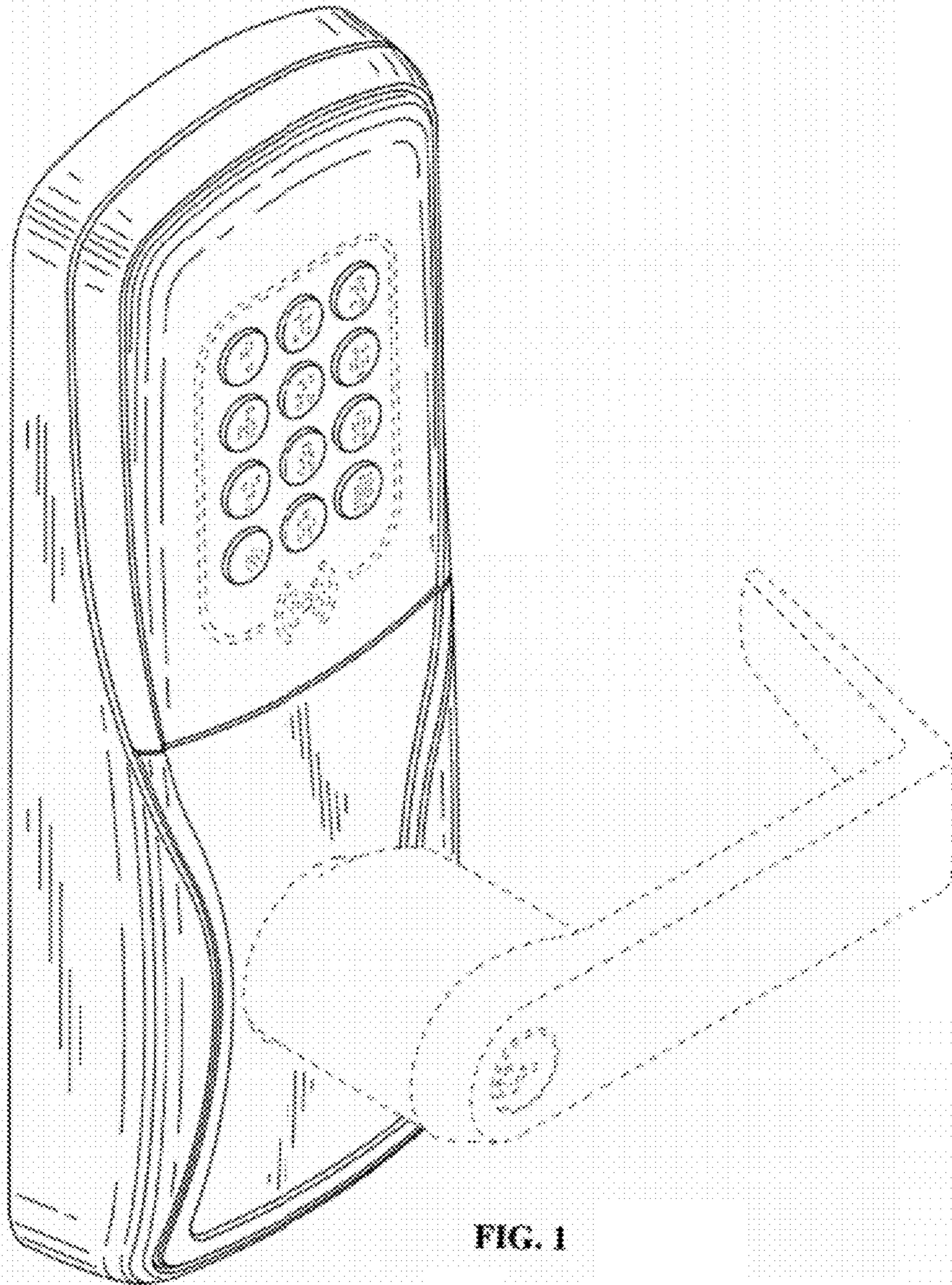
FIG. 5 is a bottom plan view thereof; and,

FIG. 6 is a top plan view thereof.

The elements shown in broken lines are included for the purpose of illustrating environment and form no part of the claimed design.

1 Claim, 4 Drawing Sheets





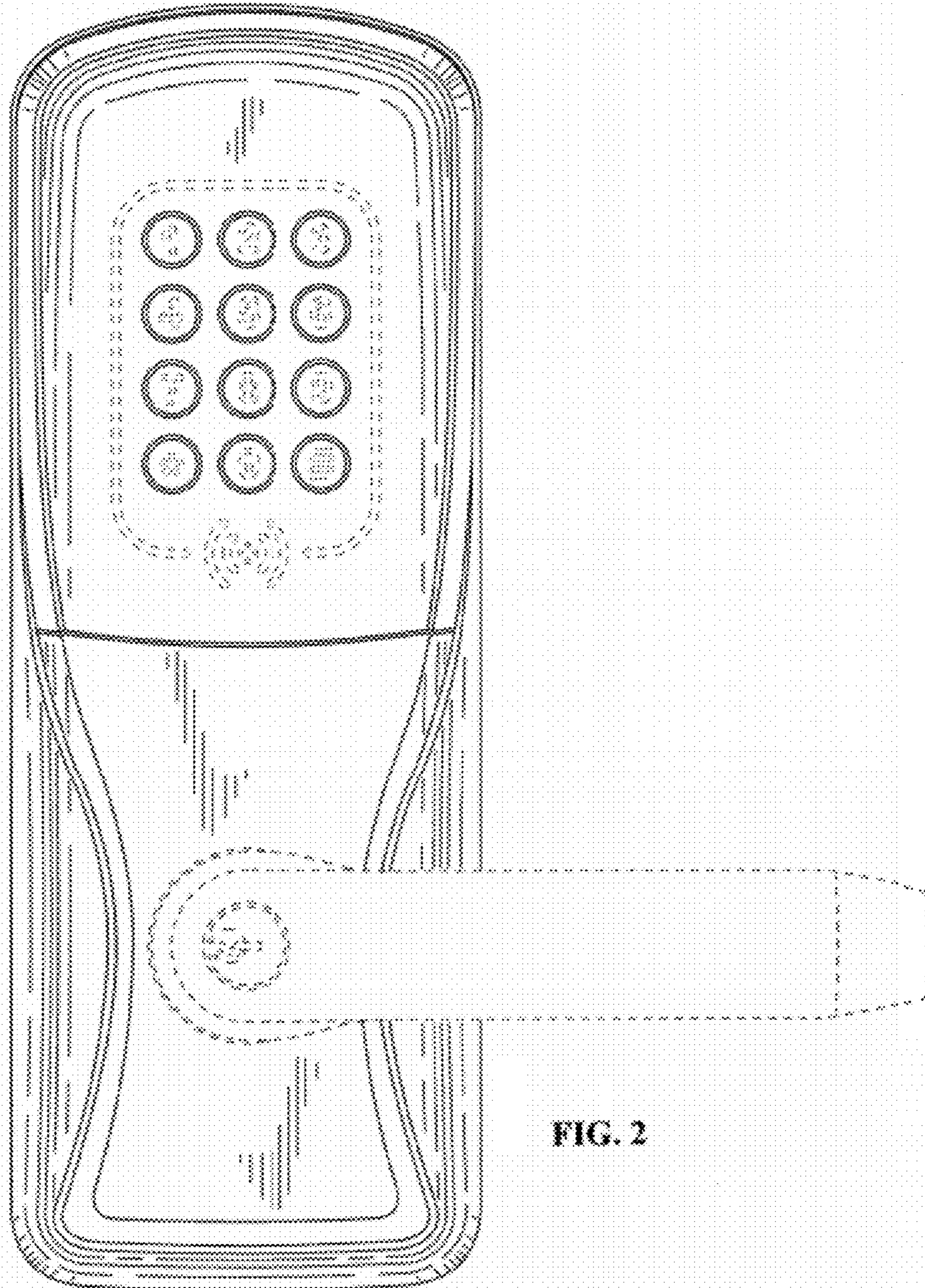


FIG. 2

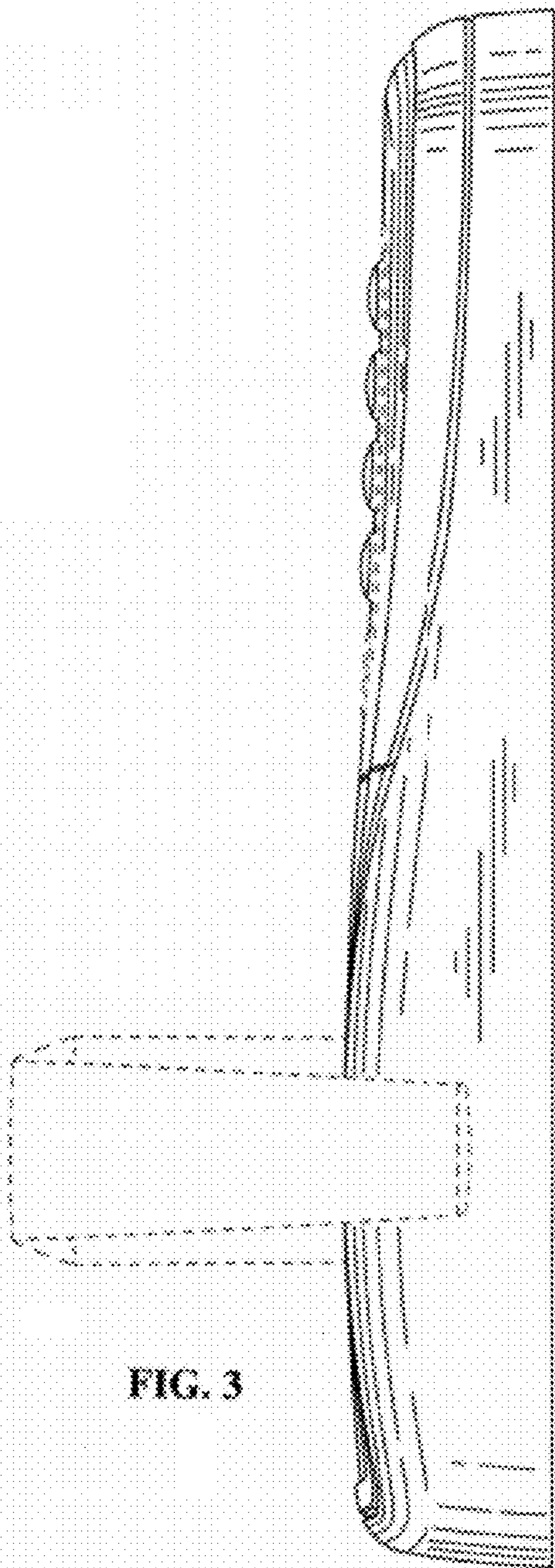


FIG. 3

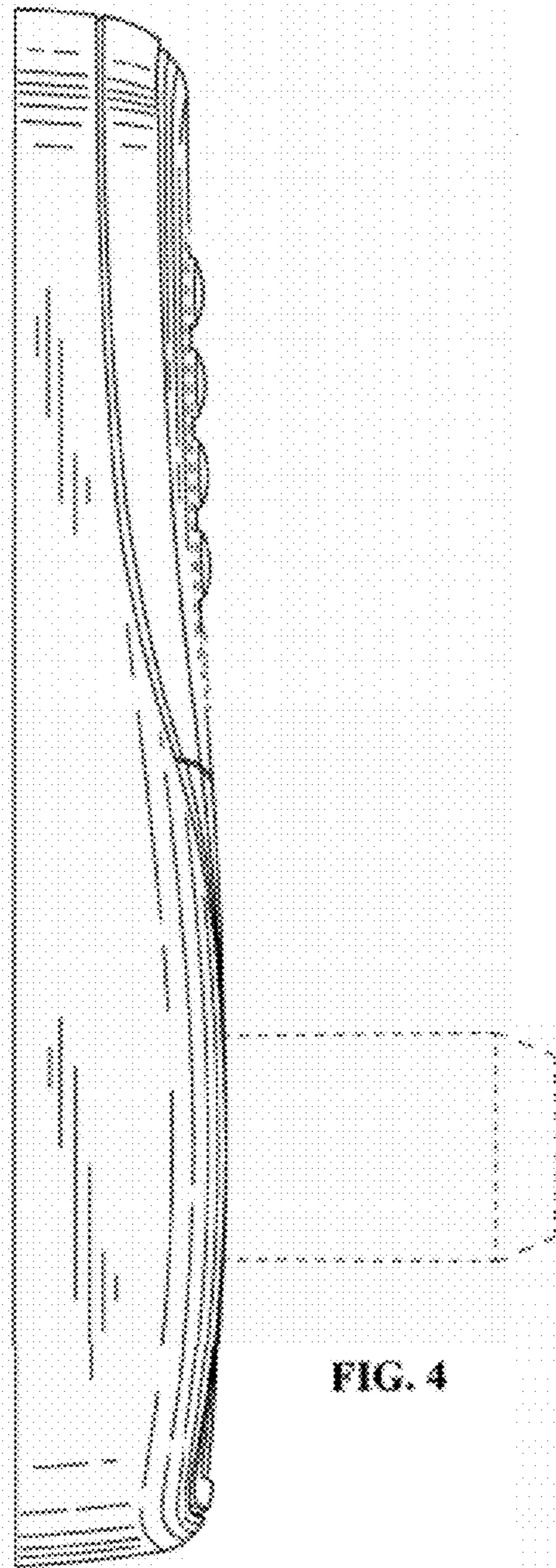


FIG. 4

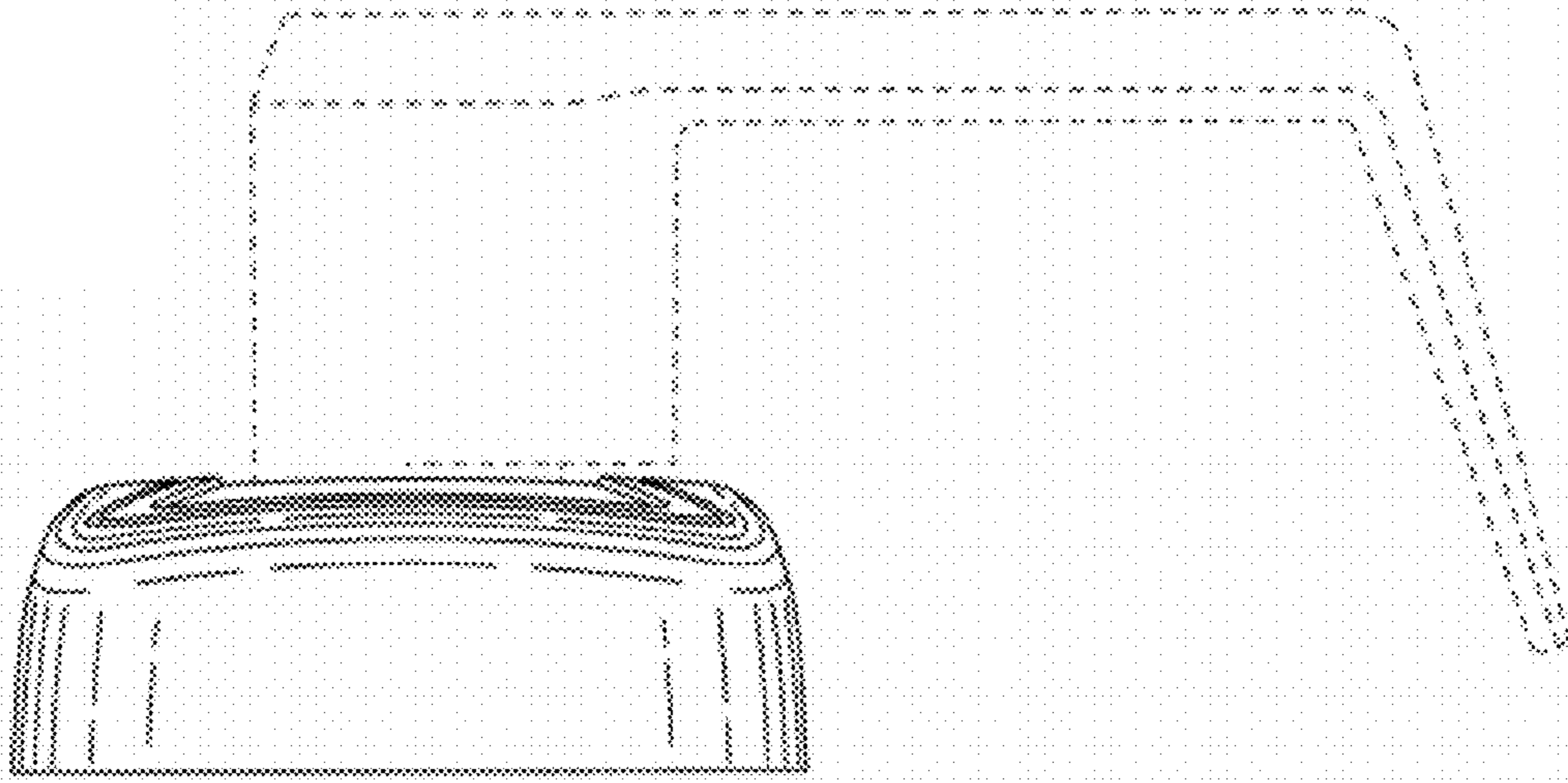


FIG. 5

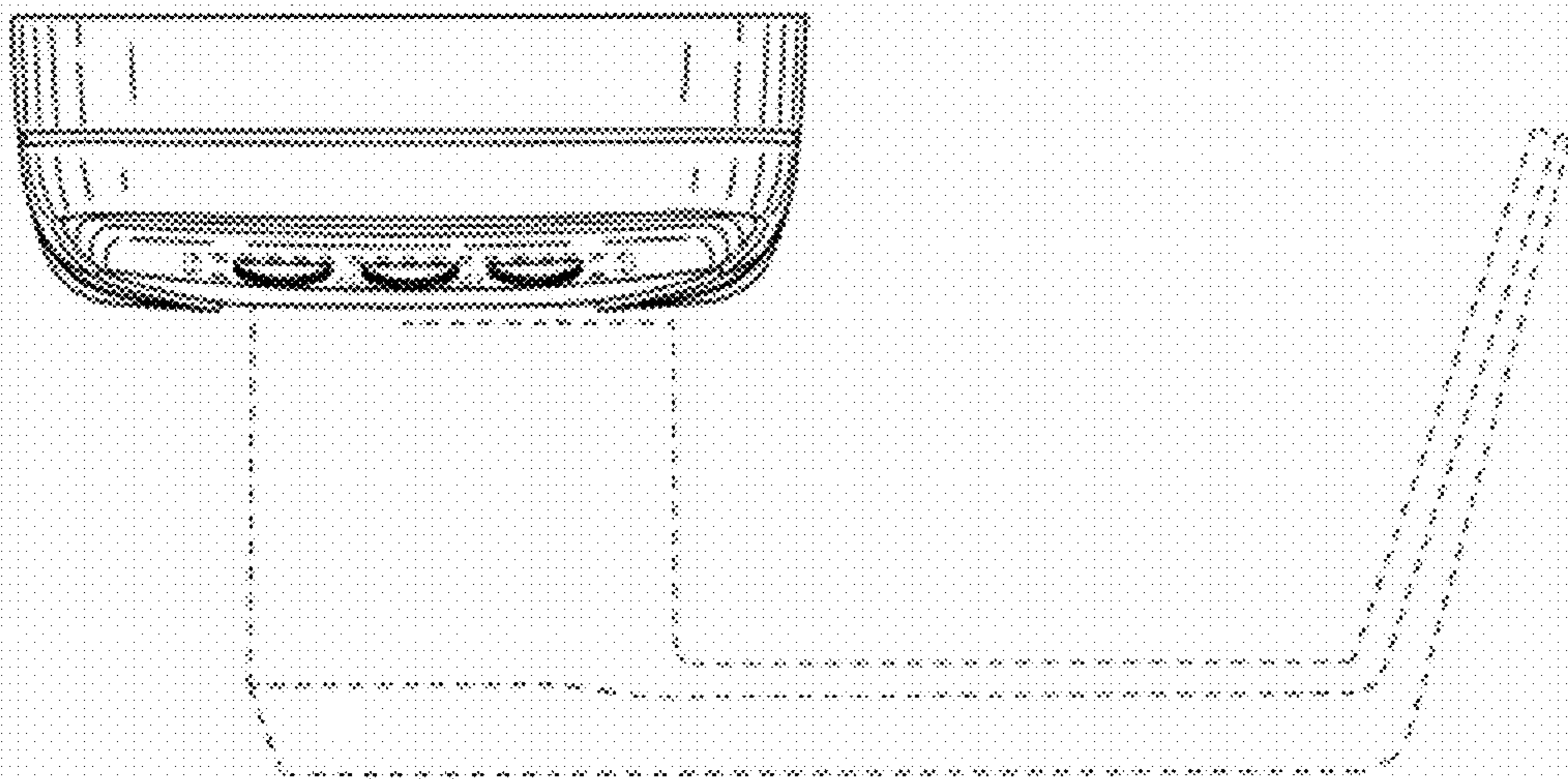


FIG. 6