



US00D666073S

(12) **United States Design Patent**
Cavalcante

(10) **Patent No.:** **US D666,073 S**

(45) **Date of Patent:** **** Aug. 28, 2012**

(54) **ELECTRIC DOOR OPENER**

(75) Inventor: **Toni Cavalcante**, Dueville (IT)

(73) Assignee: **TOPP S.p.A.**, Sandrigo (IT)

(**) Term: **14 Years**

(21) Appl. No.: **29/371,798**

(22) Filed: **Oct. 3, 2011**

(30) **Foreign Application Priority Data**

Apr. 15, 2011 (EM) 001271183

(51) **LOC (9) Cl.** **08-07**

(52) **U.S. Cl.** **D8/330**

(58) **Field of Classification Search** D8/330,
D8/331, 336-339, 343, 341, 349, 382, 400;
70/14, 38 R, 51, 52, 57, 57.1, 101, 106; 292/32,
292/33, 4, 45, 56, 57, 71, 74, 78, 63, 137,
292/194, 338, 251.5, DIG. 19

See application file for complete search history.

(56) **References Cited**

U.S. PATENT DOCUMENTS

1,599,729 A * 9/1926 Taylor 74/16
2,046,431 A * 7/1936 Sebire 49/32
D244,004 S * 4/1977 Searer D8/330

4,215,885 A * 8/1980 McCray 292/338
D293,877 S * 1/1988 Fadini D8/330
5,495,639 A * 3/1996 Wartian 16/79
5,741,034 A * 4/1998 Bains et al. 292/338
6,904,643 B2 * 6/2005 Duffy 16/83
7,469,564 B1 * 12/2008 Shaw 70/283
D638,686 S * 5/2011 Gordon D8/339

* cited by examiner

Primary Examiner — Prabhakar Deshmukh

(74) *Attorney, Agent, or Firm* — Modiano & Associati;
Albert Josif; Daniel O'Byrne

(57) **CLAIM**

The ornamental design for an electric door opener, as shown and described.

DESCRIPTION

FIG. 1 is a perspective view of an electric door opener showing my new design;

FIG. 2 is a front view thereof;

FIG. 3 is a rear view thereof;

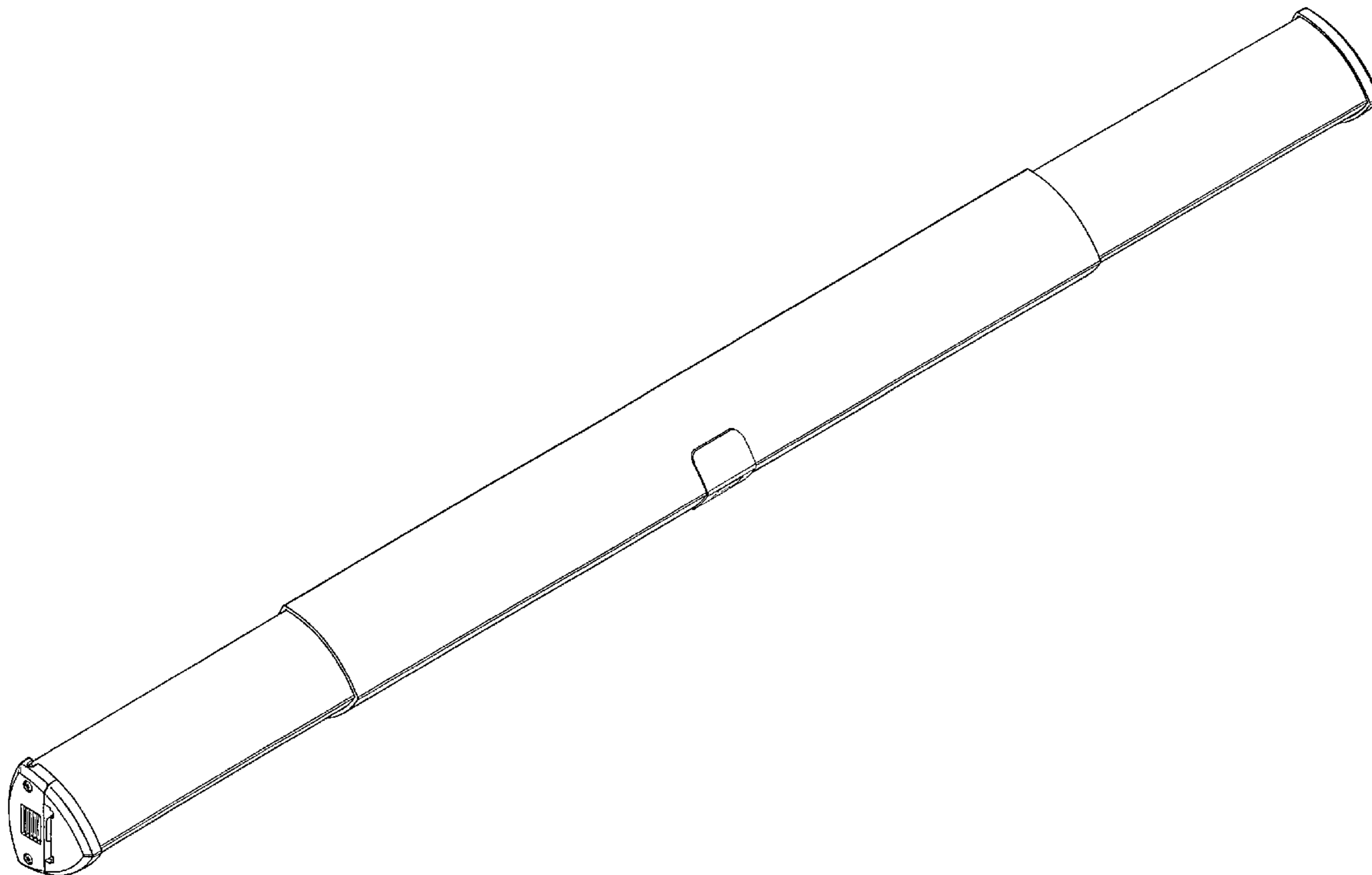
FIG. 4 is an enlarged left side view thereof;

FIG. 5 is an enlarged right side view thereof;

FIG. 6 is a top view thereof; and,

FIG. 7 is a bottom view thereof.

1 Claim, 4 Drawing Sheets



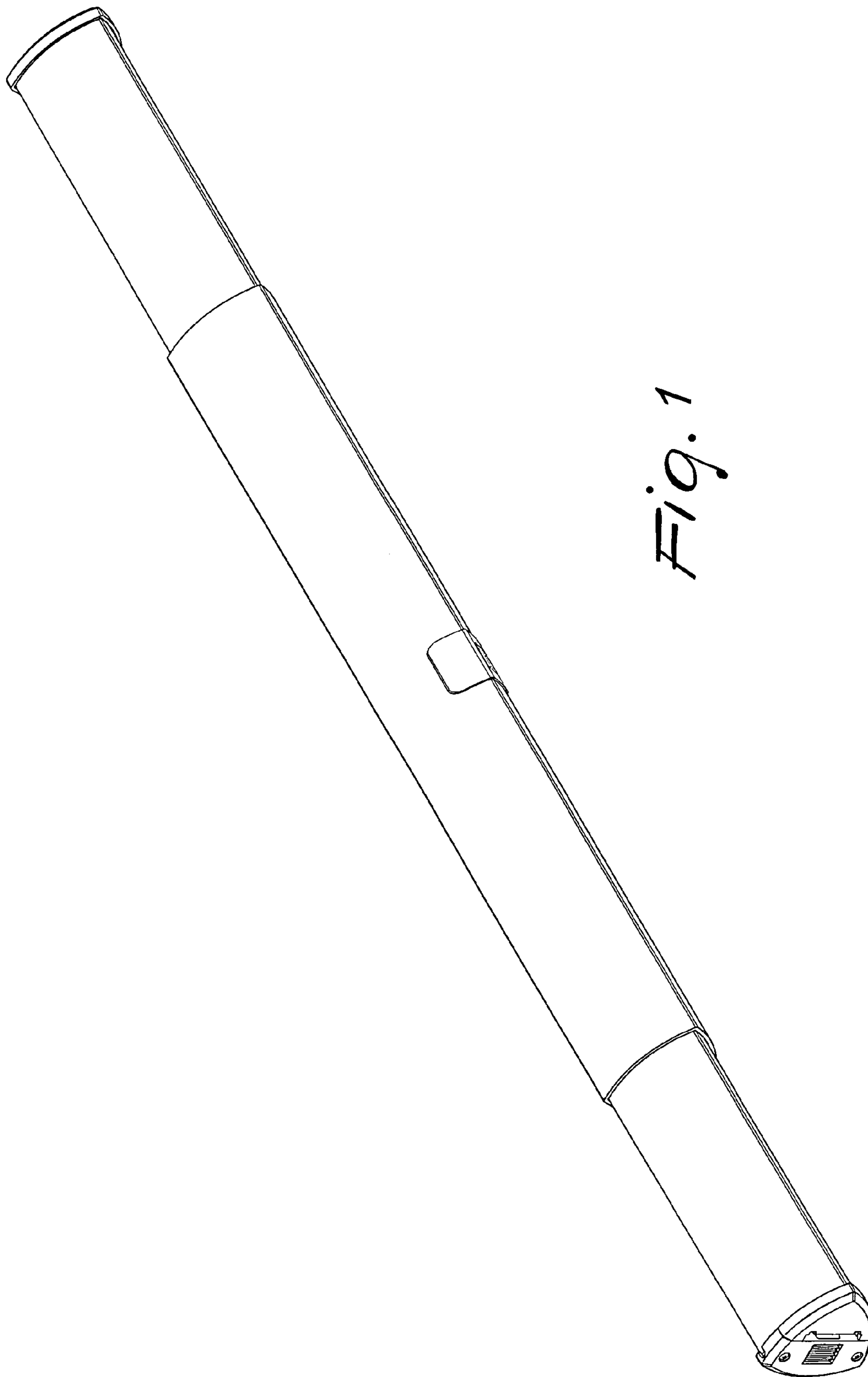


Fig. 1

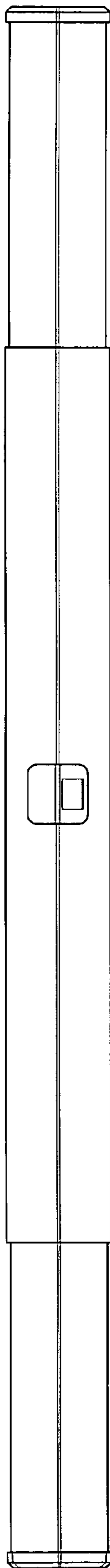


Fig. 2

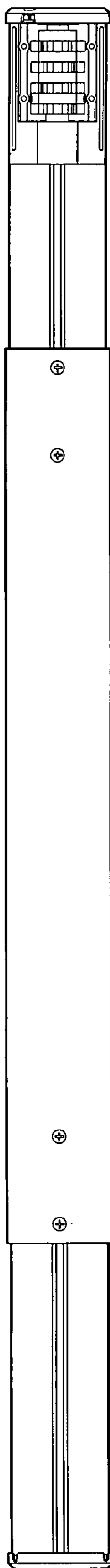


Fig. 3

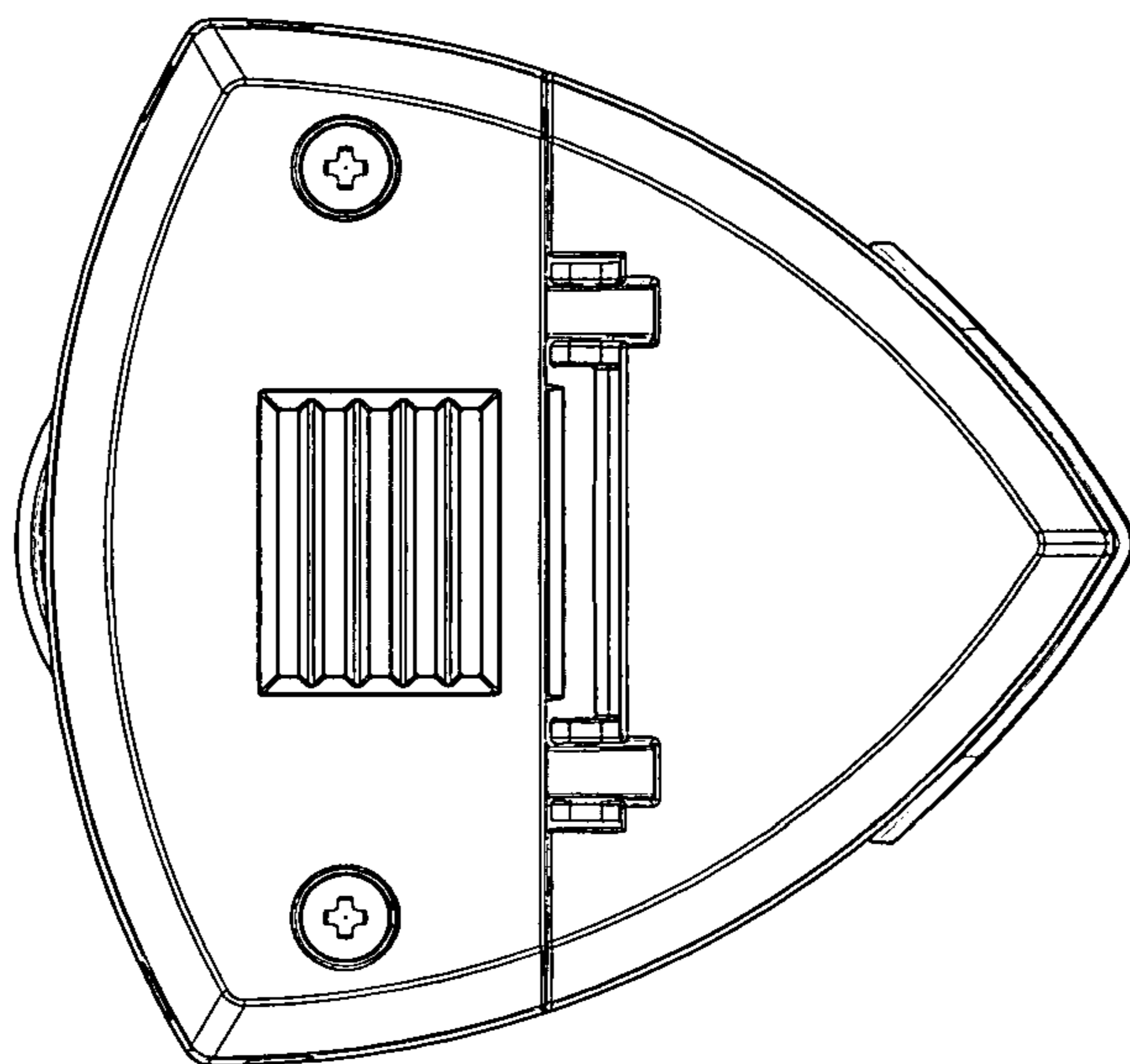


Fig. 4

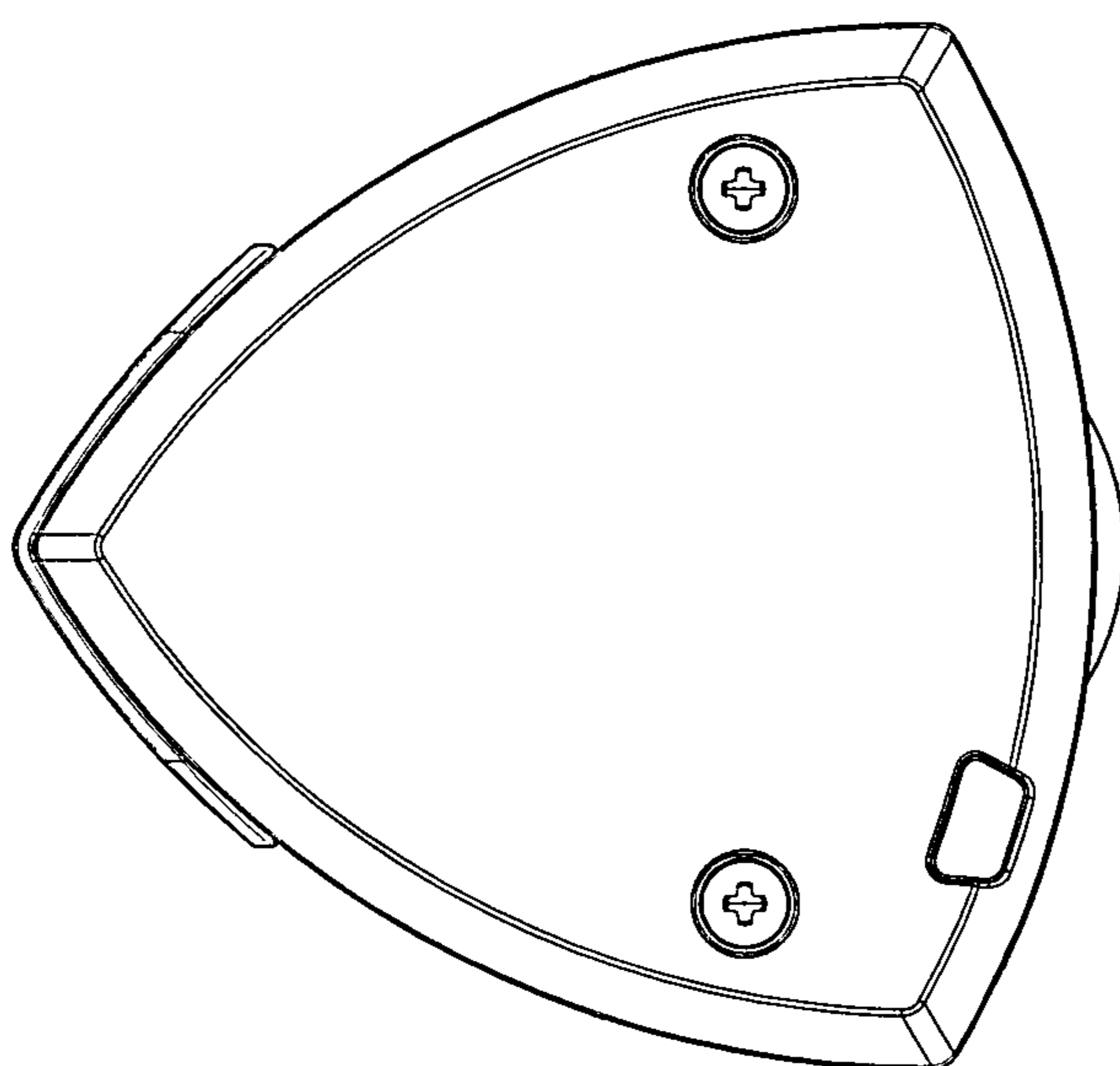


Fig. 5

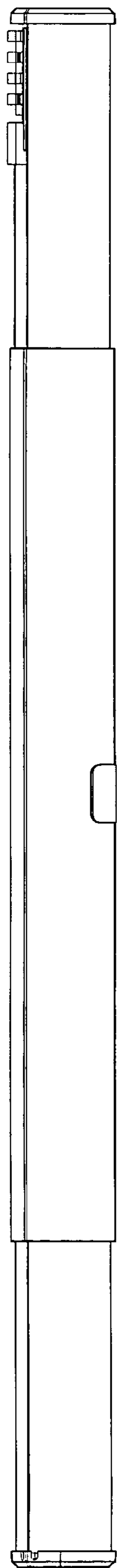


Fig. 6

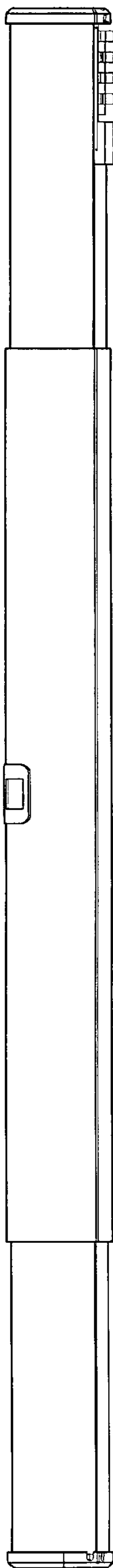


Fig. 7