

US00D666069S

(12) **United States Design Patent**  
**Pilg**

(10) **Patent No.:** **US D666,069 S**

(45) **Date of Patent:** **\*\* Aug. 28, 2012**

(54) **TIRE TOOL**

(75) Inventor: **Timothy Pilg**, Paso Robles, CA (US)

(73) Assignee: **Timothy Pilg**, Paso Robles, CA (US)

(\*\*) Term: **14 Years**

(21) Appl. No.: **29/375,421**

(22) Filed: **Sep. 22, 2010**

(51) **LOC (9) Cl.** ..... **08-05**

(52) **U.S. Cl.** ..... **D8/31; D8/88**

(58) **Field of Classification Search** ..... D8/14,  
D8/31, 88-89, 367, 499; 7/100, 143; 29/267;  
157/1.17, 1.47; 254/131

See application file for complete search history.

(56) **References Cited**

**U.S. PATENT DOCUMENTS**

834,908	A *	11/1906	Hussey	.....	157/1.22
D59,848	S *	11/1921	King	.....	D8/31
1,741,801	A *	12/1929	White	.....	157/1.1
D203,297	S *	12/1965	Quartararo	.....	D8/31
3,771,581	A *	11/1973	Johnson	.....	157/1.22
D239,361	S *	3/1976	Johnson	.....	D8/31
D277,640	S *	2/1985	Drexler	.....	D8/88
5,123,470	A *	6/1992	Tran	.....	157/1.3
5,265,661	A *	11/1993	Tran	.....	157/1.3
D356,934	S *	4/1995	Lenox	.....	D8/88
D431,166	S *	9/2000	Fanning et al.	.....	D8/40
D440,132	S *	4/2001	Su et al.	.....	D8/14
D479,970	S *	9/2003	Hutchinson	.....	D8/88
D598,721	S *	8/2009	Meza	.....	D8/14
2010/0229689	A1 *	9/2010	Minnette et al.	.....	81/3.55

**OTHER PUBLICATIONS**

Quick Stick Tire Changer Lever. Downloaded <http://www.biking.com/buy-bike-accessories/tire-changer.html> on Sep. 27, 2011.\*

Enlargement of Quick-Stick Tire Changing Tool snagged Sep. 27, 2011 AT <http://www.bikesomewhere.com/bikesomewhere.cfm/product/277/1909/48654>.\*

Stubby Tire Tools. Downloaded at <http://www.rockymountainatvmc.com/productDetail.do?webCatId=8&webTypeId=137> & . . . on Nov. 20, 2011.\*

\* cited by examiner

*Primary Examiner* — Philip S Hyder

*Assistant Examiner* — Roselynn Cody

(74) *Attorney, Agent, or Firm* — SoCal IP Law Group LLP; Mark A. Goldstein

(57) **CLAIM**

The ornamental design for a tire tool, as shown and described.

**DESCRIPTION**

FIG. 1 is a side view showing the design of the tire tool.

FIG. 2 is a first end view showing the design of the tire tool.

FIG. 3 is a second end view showing the design of the tire tool.

FIG. 4 is a top view showing the design of the tire tool.

FIG. 5 is a bottom view showing the design of the tire tool.

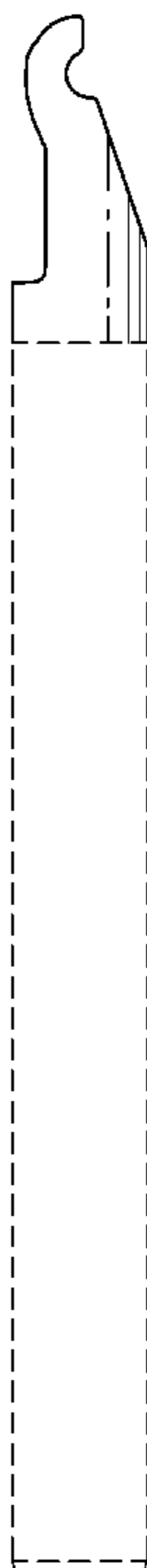
FIG. 6 is a top perspective view showing the design of the tire tool; and,

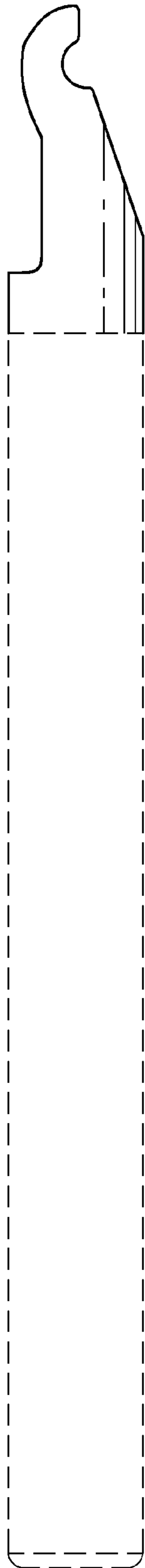
FIG. 7 is a bottom perspective view showing the design of the tire tool.

The broken lines that encircle the tool at the base of the claimed subject matter indicate the boundary of the claim. All other broken lines in the drawings are directed to environment and from no part of the claim.

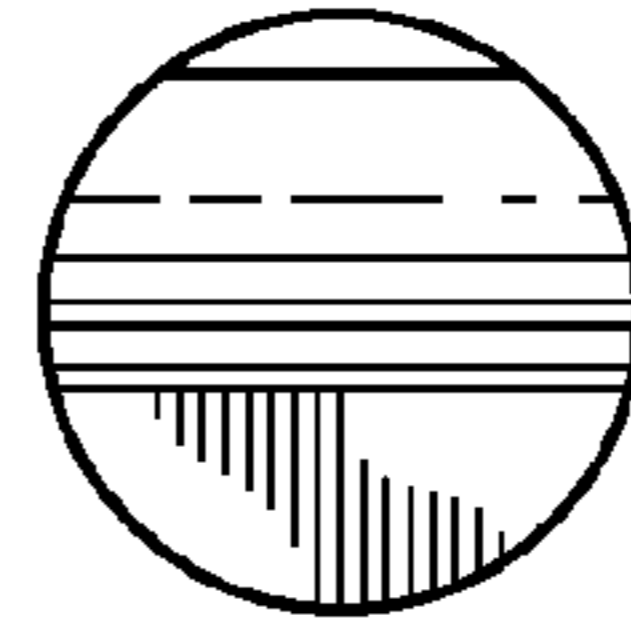
The broken lines that encircle the tool at the base of the claimed subject matter indicate the boundary of the claim. All other broken lines in the drawings are directed to environment and from no part of the claim.

**1 Claim, 3 Drawing Sheets**

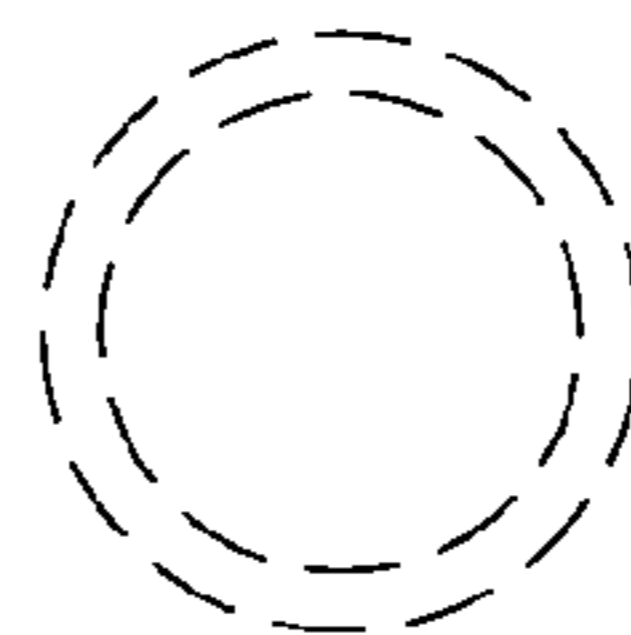




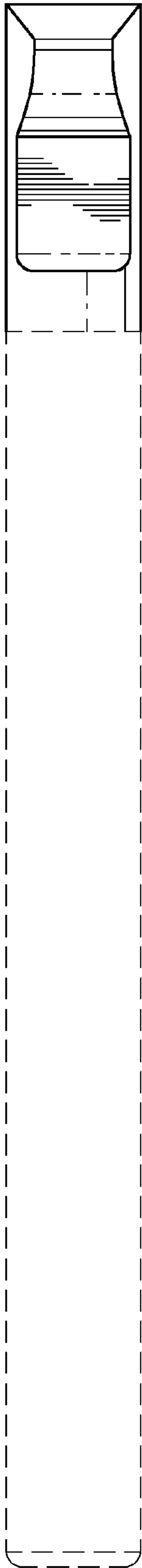
**FIG. 1**



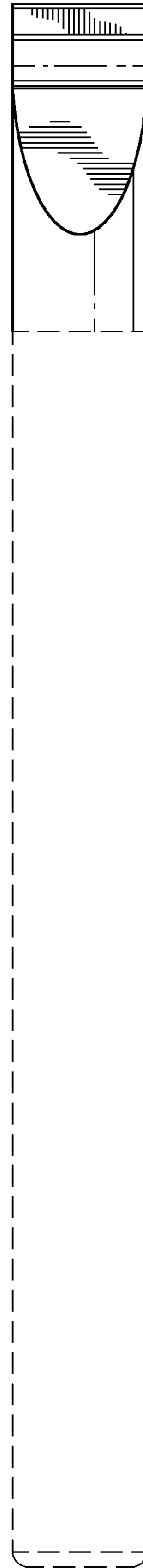
**FIG. 2**



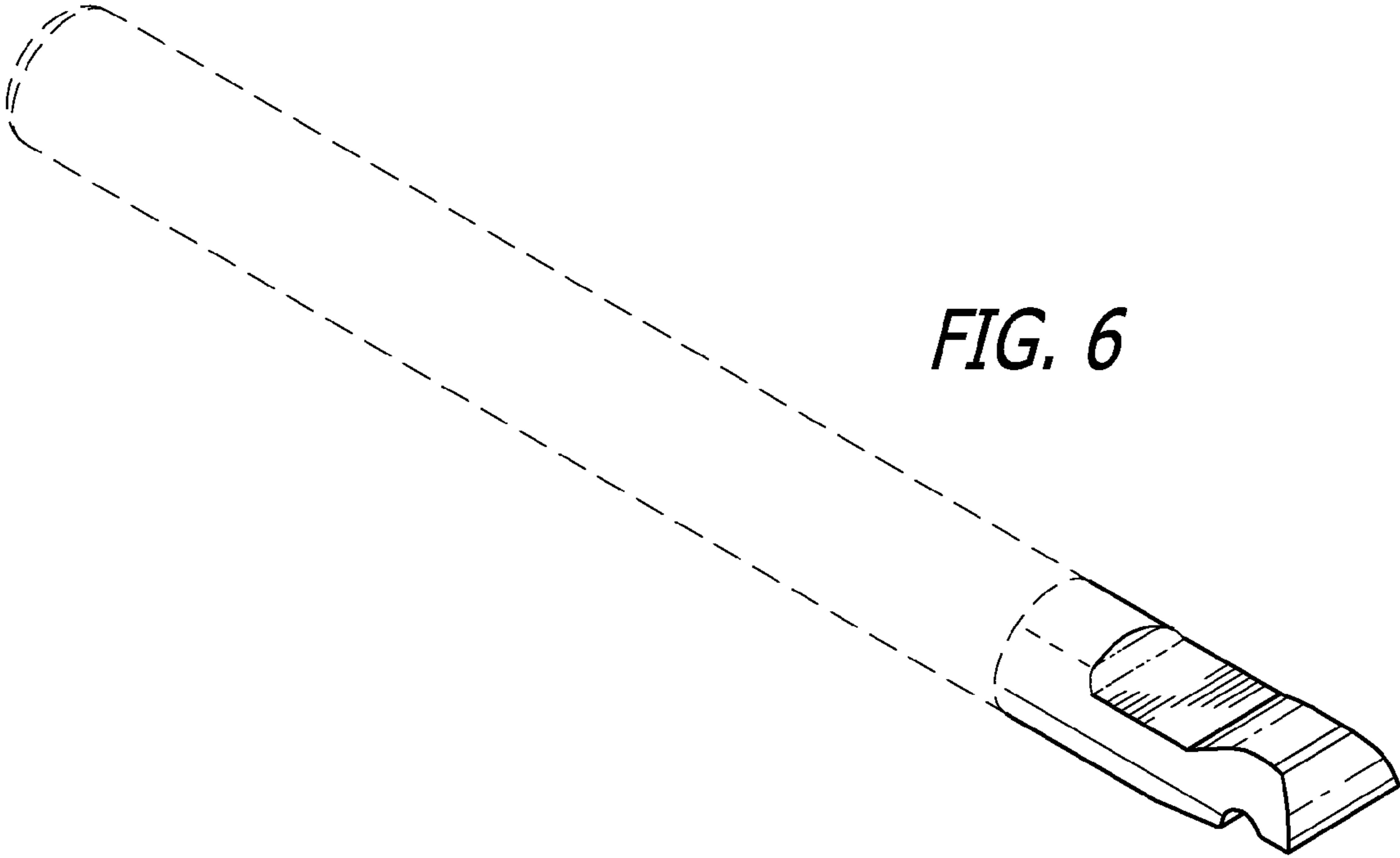
**FIG. 3**



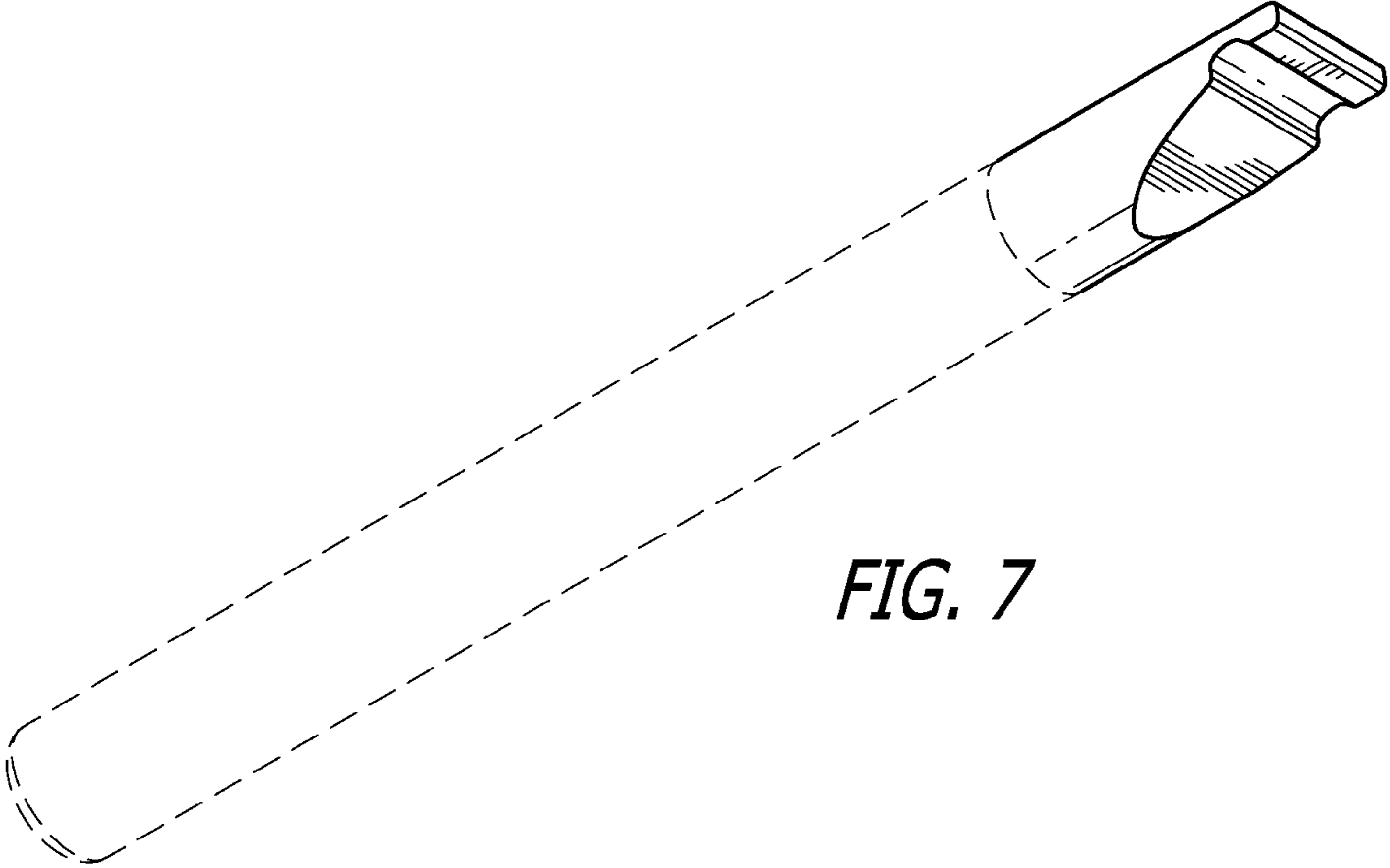
*FIG. 4*



*FIG. 5*



*FIG. 6*



*FIG. 7*