

US00D666068S

(12) **United States Design Patent**
Palmisano

(10) **Patent No.:** **US D666,068 S**

(45) **Date of Patent:** **** Aug. 28, 2012**

(54) **CHESTNUT CUTTER**

(76) Inventor: **Frank Palmisano**, Lynn, MA (US)

(**) Term: **14 Years**

(21) Appl. No.: **29/408,741**

(22) Filed: **Dec. 15, 2011**

(51) **LOC (9) Cl.** **07-06**

(52) **U.S. Cl.** **D7/680**

(58) **Field of Classification Search** D7/680,

D7/665, 666, 686, 687; 30/120.1-120.5;

99/568-582; 100/234; 452/17; 7/132

See application file for complete search history.

(56) **References Cited**

U.S. PATENT DOCUMENTS

3,048,208 A * 8/1962 Umanoff 30/120.3

3,846,908 A * 11/1974 Allievi 30/120.1

D342,870 S * 1/1994 LeClair D7/693

5,596,807 A * 1/1997 Carr 30/120.3

D397,589 S * 9/1998 Gasior D7/680

* cited by examiner

Primary Examiner — Terry Wallace

(74) *Attorney, Agent, or Firm* — QuickPatents, Inc.; Kevin Prince

(57) **CLAIM**

I claim the ornamental design for a chestnut cutter, as shown and described.

DESCRIPTION

FIG. 1 is a perspective view of a chestnut cutter, showing my new design in a closed position;

FIG. 2 is a right-side elevational view of FIG. 1, the left-side elevational view being a mirror image thereof;

FIG. 3 is a top plan view of FIG. 1;

FIG. 4 is a bottom plan view of FIG. 1;

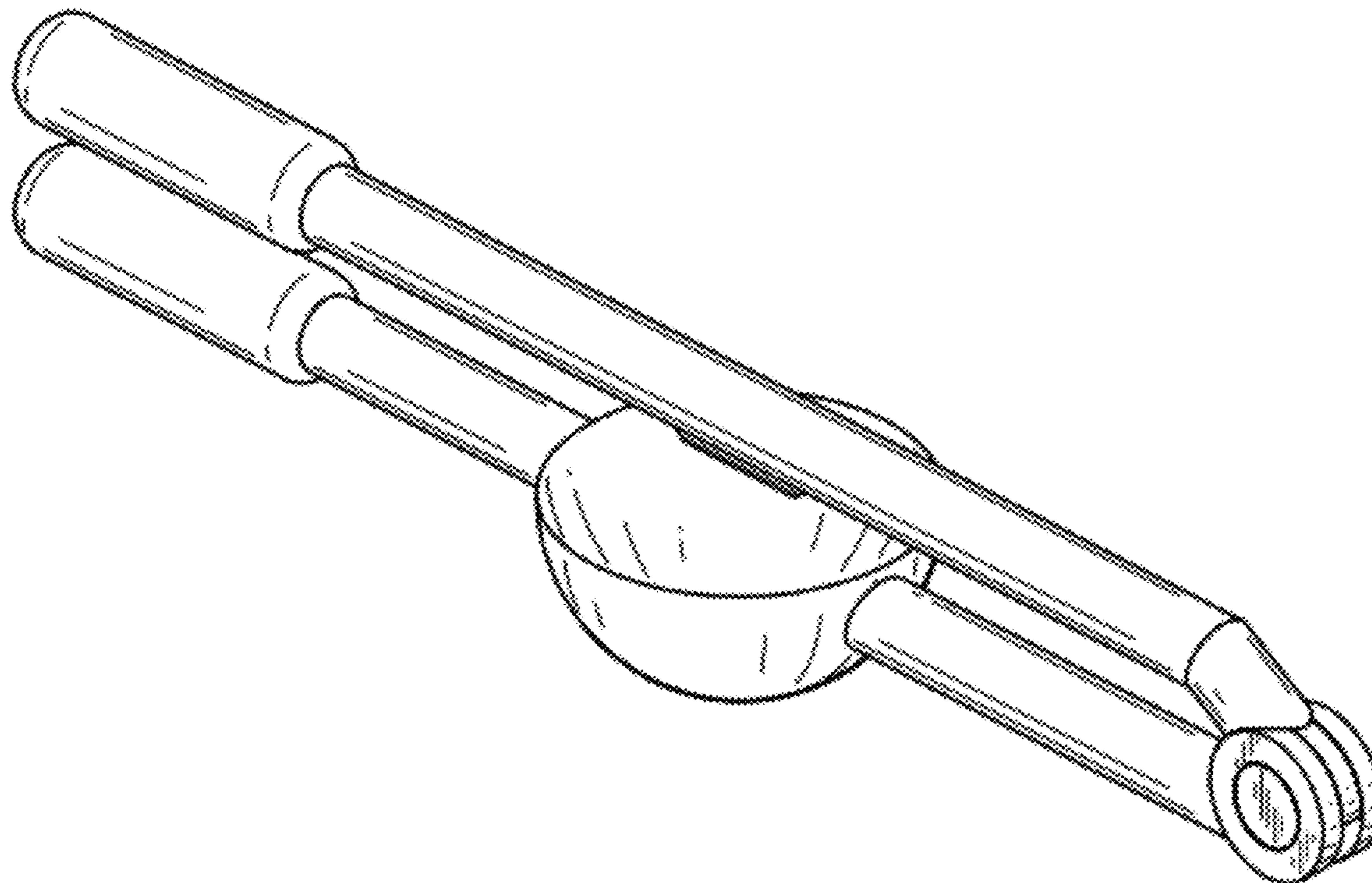
FIG. 5 is a front elevational view of FIG. 1;

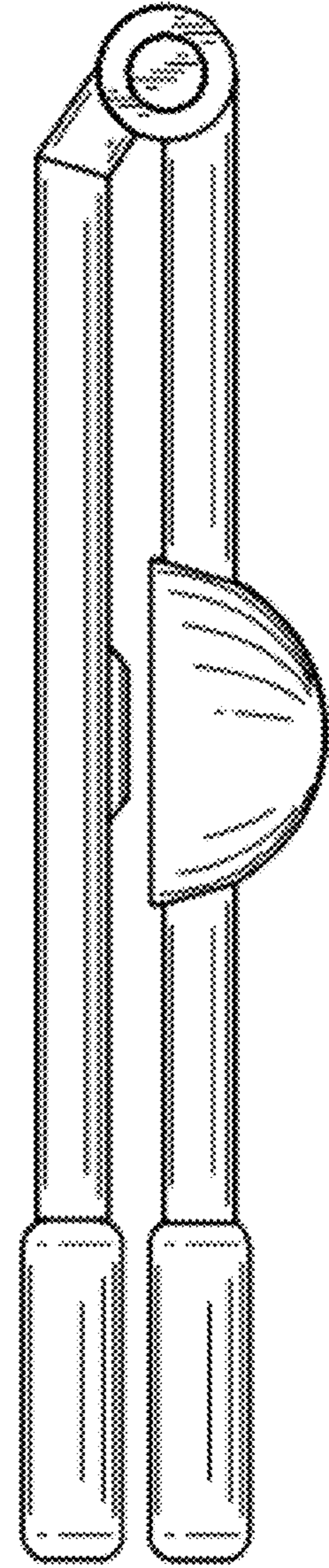
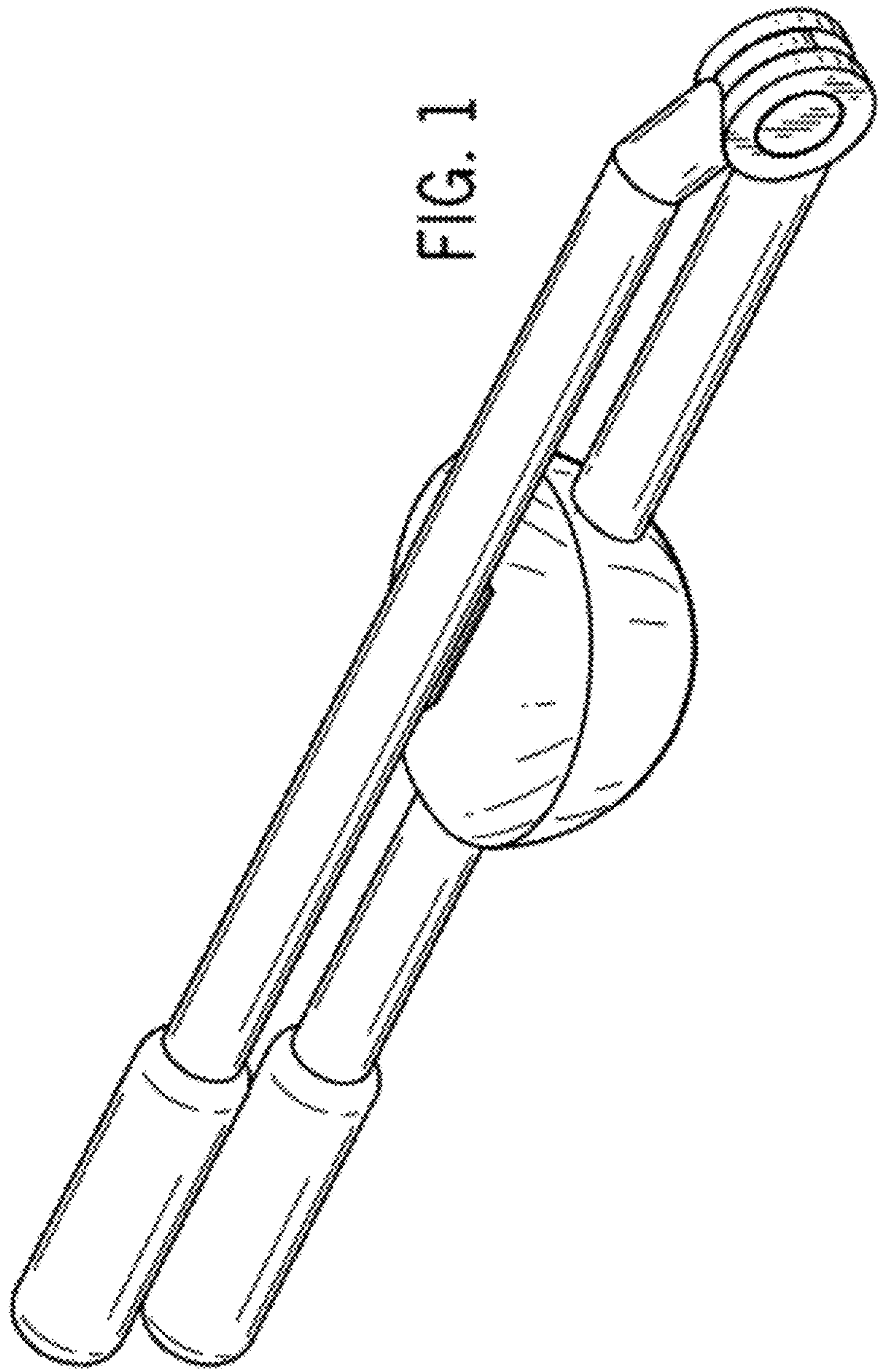
FIG. 6 is a rear elevational view of FIG. 1;

FIG. 7 is a perspective view thereof, illustrated in an open position; and,

FIG. 8 is a right-side elevational view of FIG. 7, the left-side elevational view being a mirror image thereof.

1 Claim, 3 Drawing Sheets





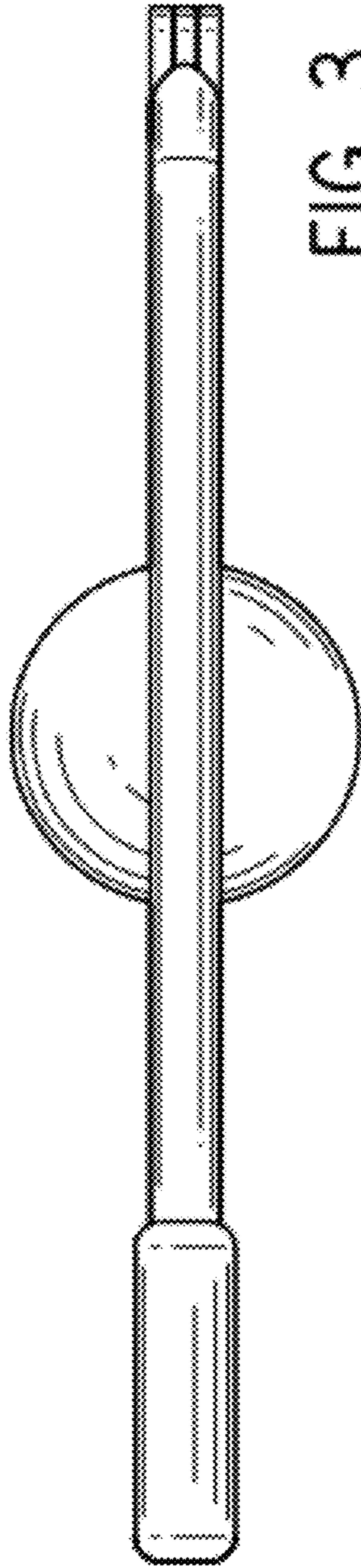


FIG. 3

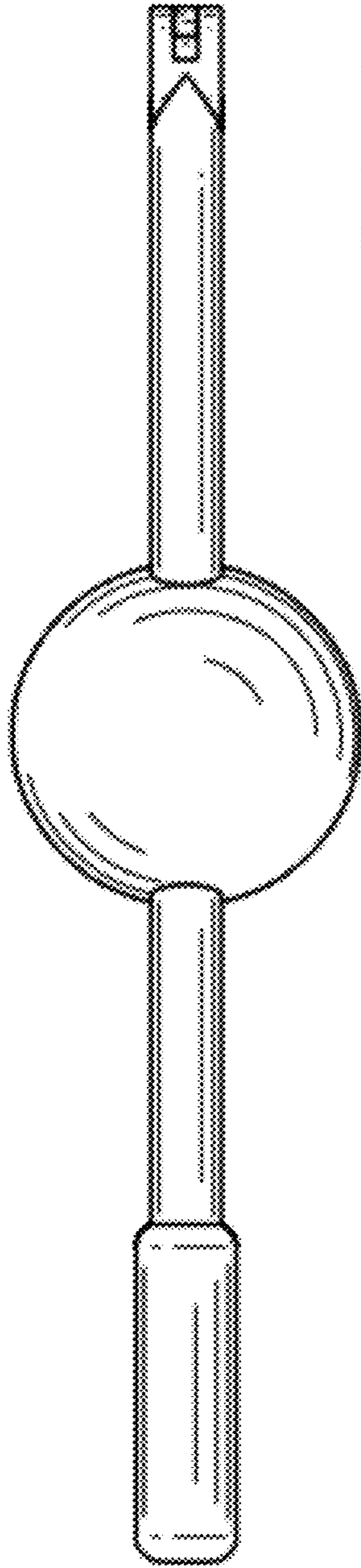


FIG. 4

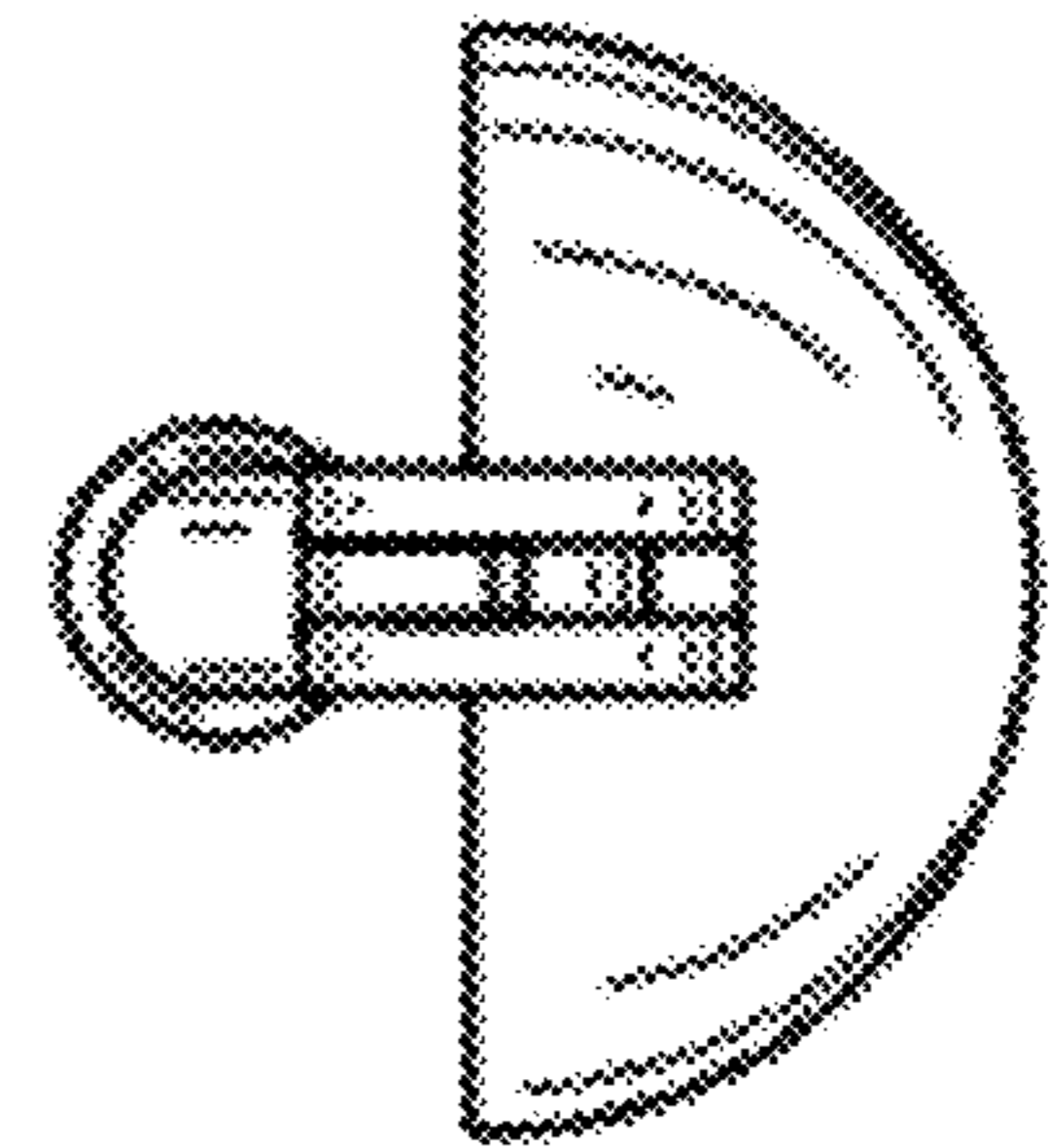


FIG. 5

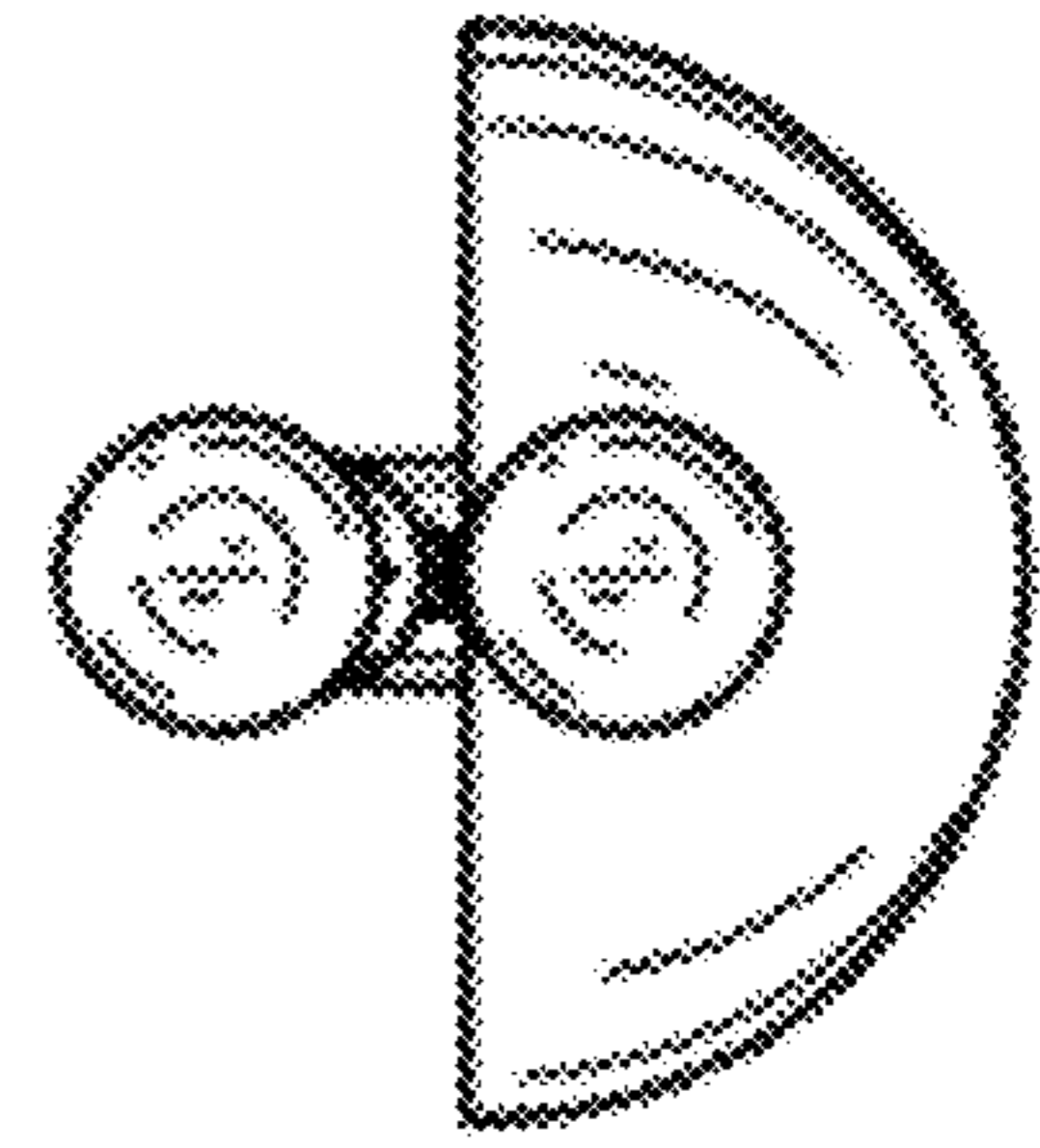


FIG. 6

