



US00D666062S

(12) **United States Design Patent**
Zemel

(10) **Patent No.:** **US D666,062 S**

(45) **Date of Patent:** **** Aug. 28, 2012**

(54) **HAMBURGER PRESS**

(75) Inventor: **Marc Zemel**, Melville, NY (US)

(73) Assignee: **Mr. BAR-B-Q-, Inc.**, Old Bethpage, NY (US)

(**) Term: **14 Years**

(21) Appl. No.: **29/408,586**

(22) Filed: **Dec. 14, 2011**

(51) **LOC (9) Cl.** **07-04**

(52) **U.S. Cl.** **D7/675**

(58) **Field of Classification Search** D7/672-677,
D7/354, 357; 99/537; 249/170, 112; 30/114,
30/152, 301, 314-316, 303, 305, 130, 299
See application file for complete search history.

(56) **References Cited**

U.S. PATENT DOCUMENTS

2,191,921	A	2/1940	Ziringer	
D155,422	S	10/1949	Henderson	
2,722,713	A	11/1955	Oesterrneye	
D206,606	S	1/1967	Brown	
D226,959	S *	5/1973	Pasquale	D7/676
D226,960	S *	5/1973	Pasquale	D7/672
3,767,203	A *	10/1973	Eaker	273/157 R
3,780,978	A *	12/1973	Proul	249/135
D234,113	S	1/1975	Wright	
D236,312	S	8/1975	Brown	
3,934,308	A *	1/1976	Neri	425/409
D245,827	S	9/1977	Korpi	
4,106,162	A	8/1978	Fournier	
D282,893	S *	3/1986	Daenen	D7/676
D333,759	S *	3/1993	Ferrin	D7/672
D352,206	S	11/1994	Davis	
D353,968	S	1/1995	Cock	
D357,337	S *	4/1995	Roth	D1/106
D369,948	S	5/1996	Tobiasz	
D377,138	S	1/1997	Angelo	
D414,075	S	9/1999	Mishan	
D556,918	S *	12/2007	Woodring	D25/113
D575,097	S	8/2008	Courington et al.	
D595,998	S	7/2009	Hauser	
D621,668	S	8/2010	Zemel	
2009/0246311	A1 *	10/2009	Hauser	425/519

OTHER PUBLICATIONS

U.S. Appl. No. 29/408,583, Marc Zemel.

* cited by examiner

Primary Examiner — Terry Wallace

(74) *Attorney, Agent, or Firm* — Carter, DeLuca, Farrell & Schmidt LLP

(57) **CLAIM**

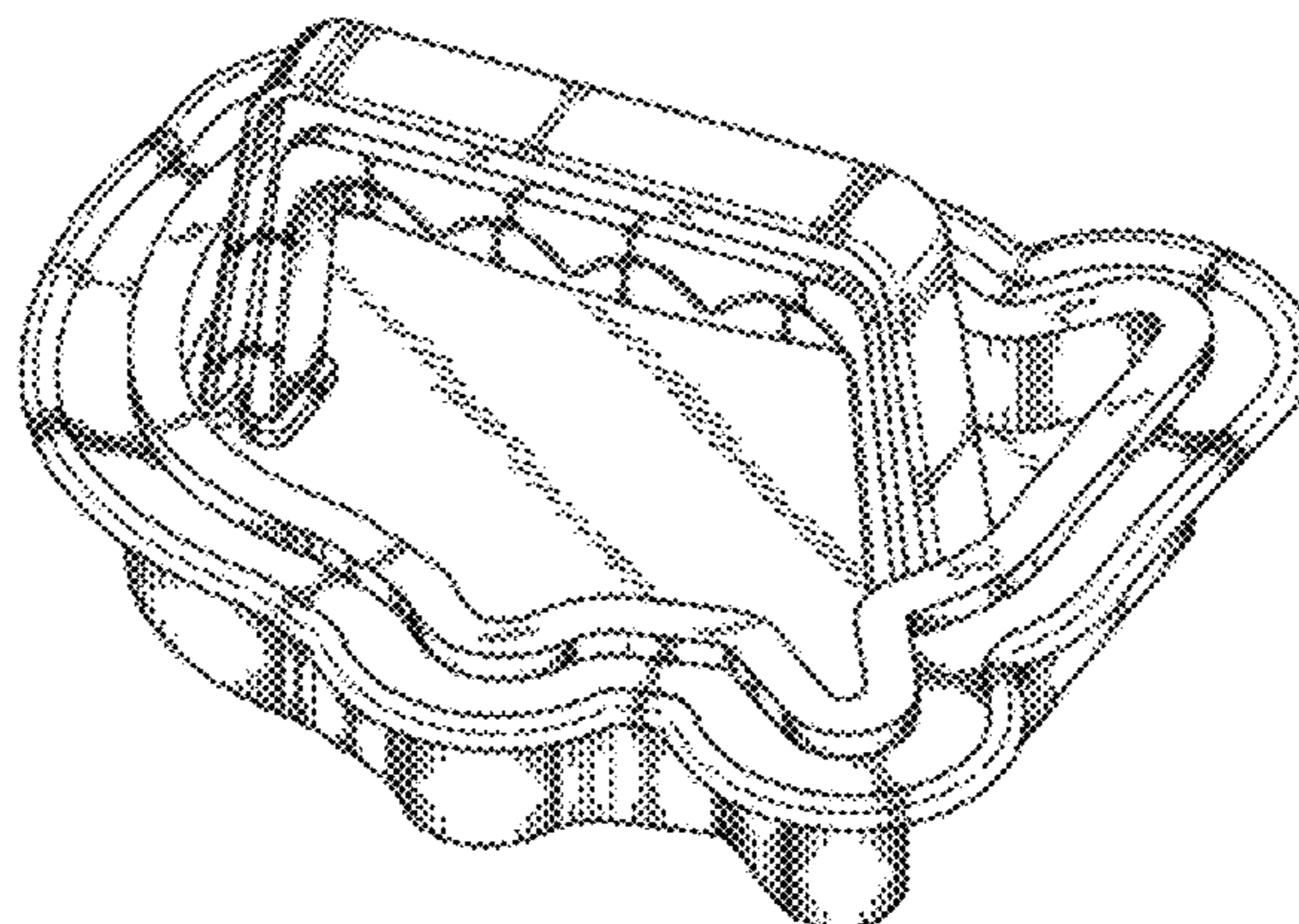
The ornamental design for a hamburger press, as shown and described.

DESCRIPTION

FIG. 1 is a front side perspective view of a hamburger press in accordance with the present design;
 FIG. 2 is a bottom side perspective view thereof;
 FIG. 3 is a top plan view thereof;
 FIG. 4 is a bottom plan view thereof;
 FIG. 5 is a front elevational view thereof;
 FIG. 6 is a rear elevational view thereof;
 FIG. 7 is a right side elevational view thereof;
 FIG. 8 is left side elevational view thereof;
 FIG. 9 is an exploded isometric front perspective view thereof;
 FIG. 10 is an exploded isometric bottom perspective view thereof;
 FIG. 11 is a top plan view of the exploded isometric views of FIGS. 9 and 10;
 FIG. 12 is a bottom plan view of the exploded isometric views of FIGS. 9 and 10;
 FIG. 13 is an exploded isometric front elevational view thereof;
 FIG. 14 is an exploded isometric rear elevational view thereof;
 FIG. 15 is an exploded isometric right side elevational view thereof; and,
 FIG. 16 is an exploded isometric left side elevational view thereof.

The stippling in the drawings is for shading purposes only.

1 Claim, 9 Drawing Sheets



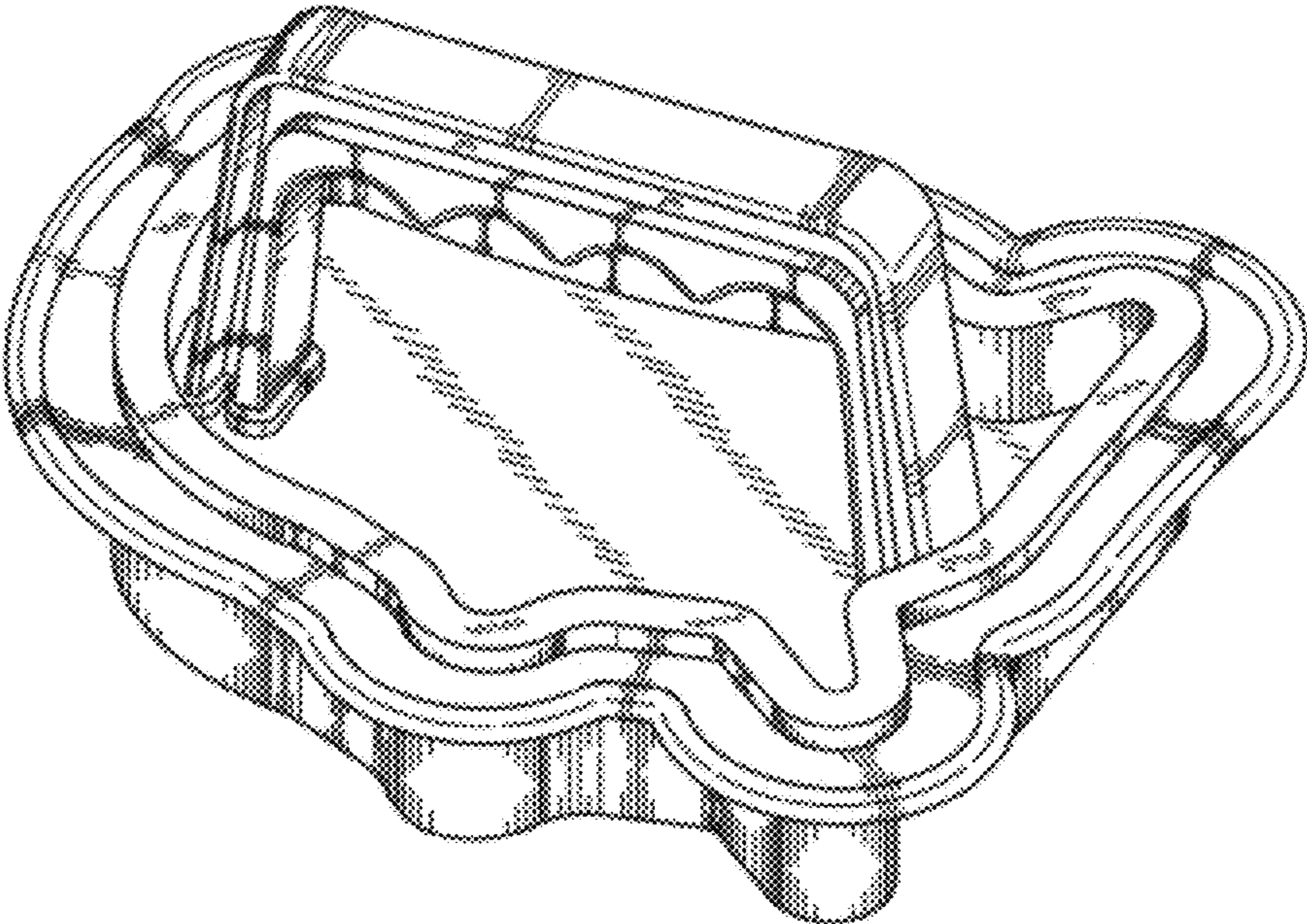


FIG. 1

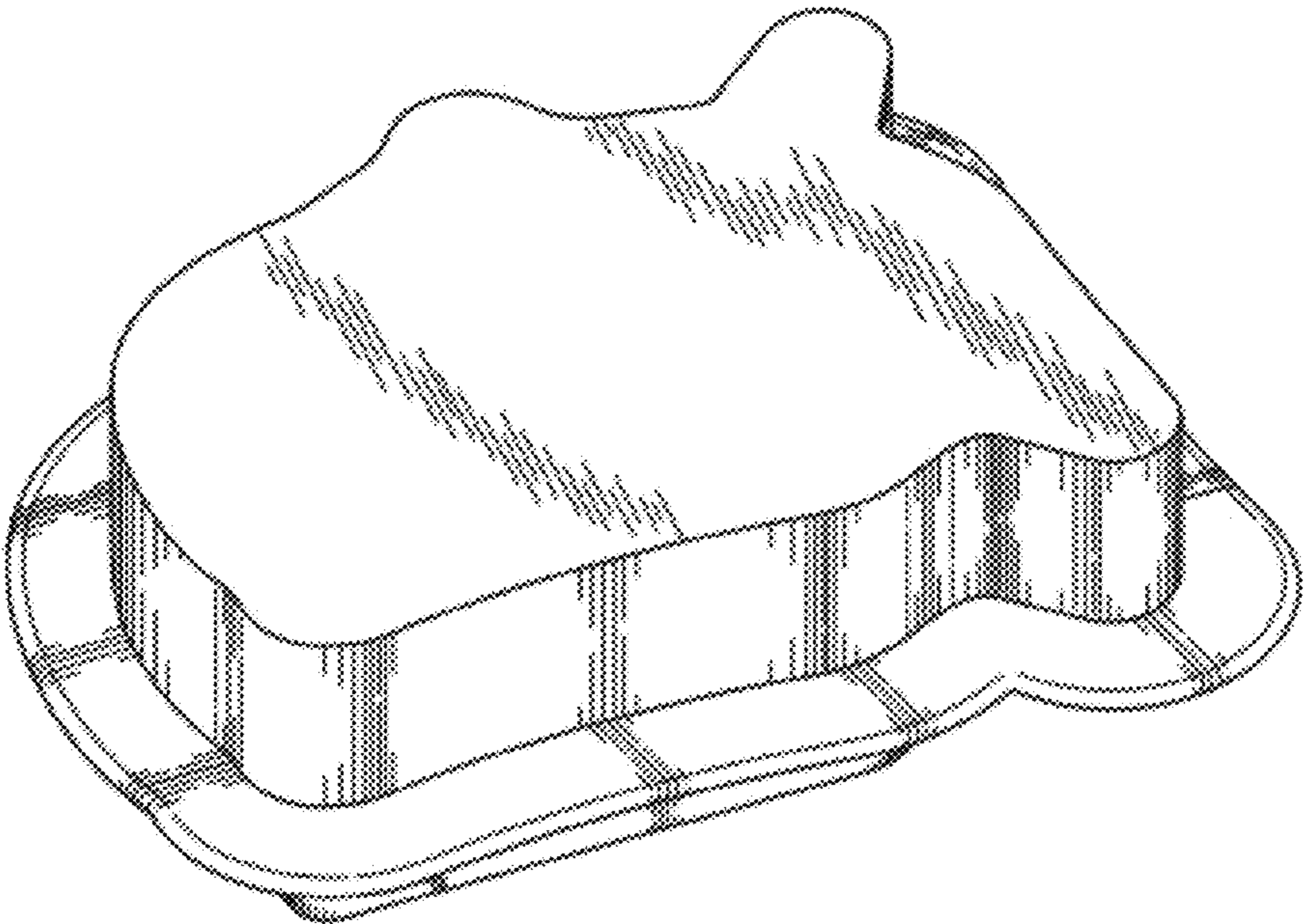


FIG. 2

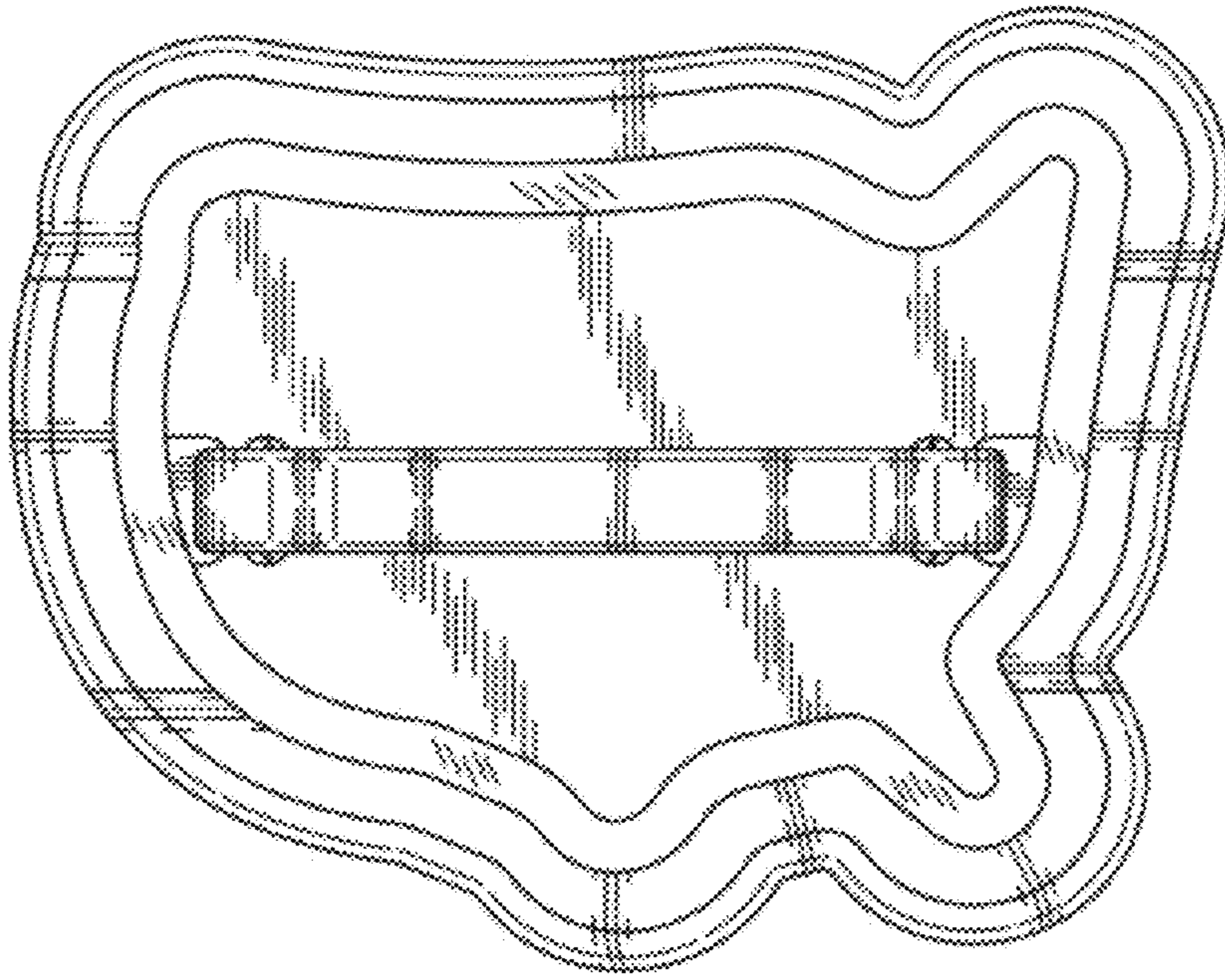


FIG. 3

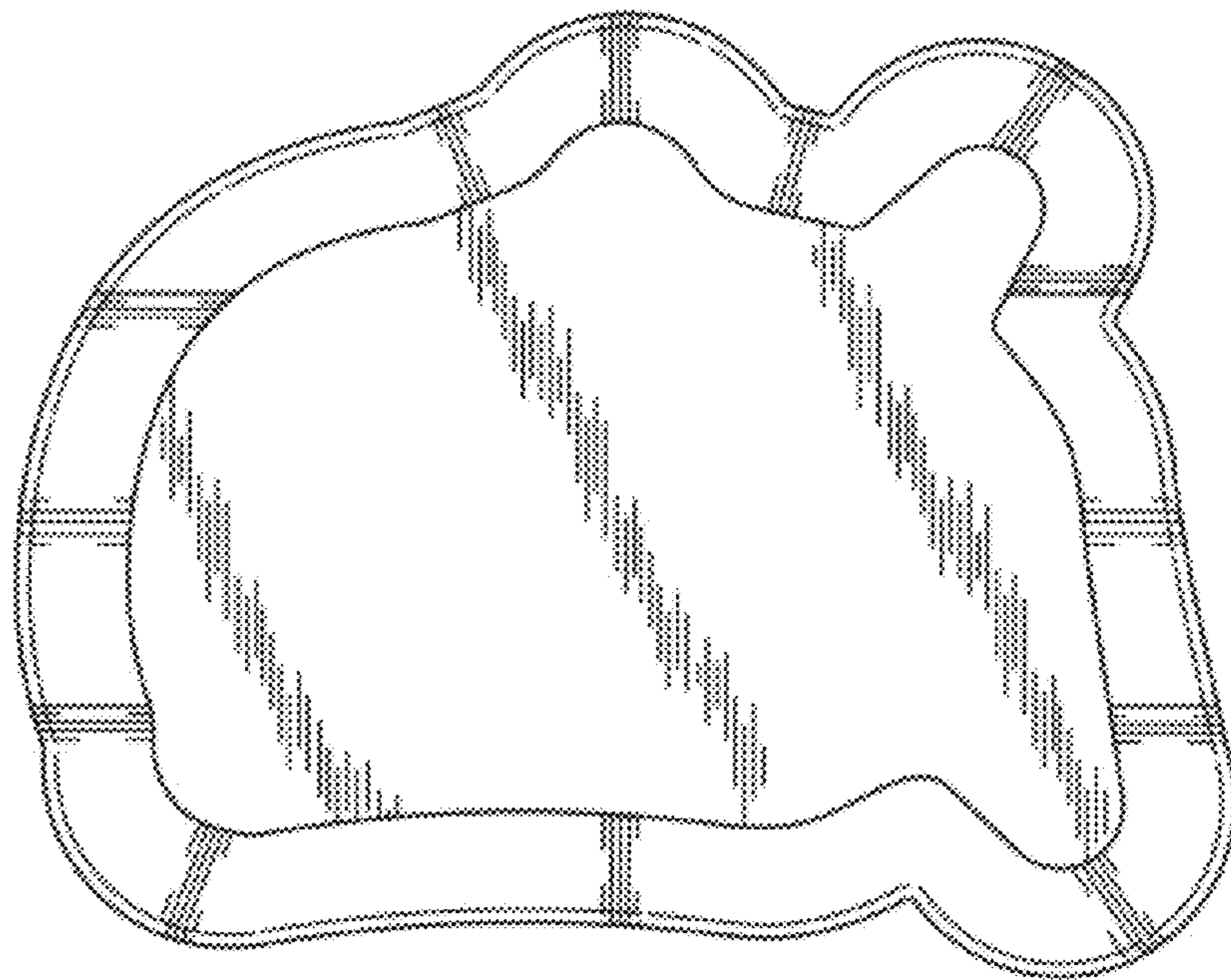


FIG. 4

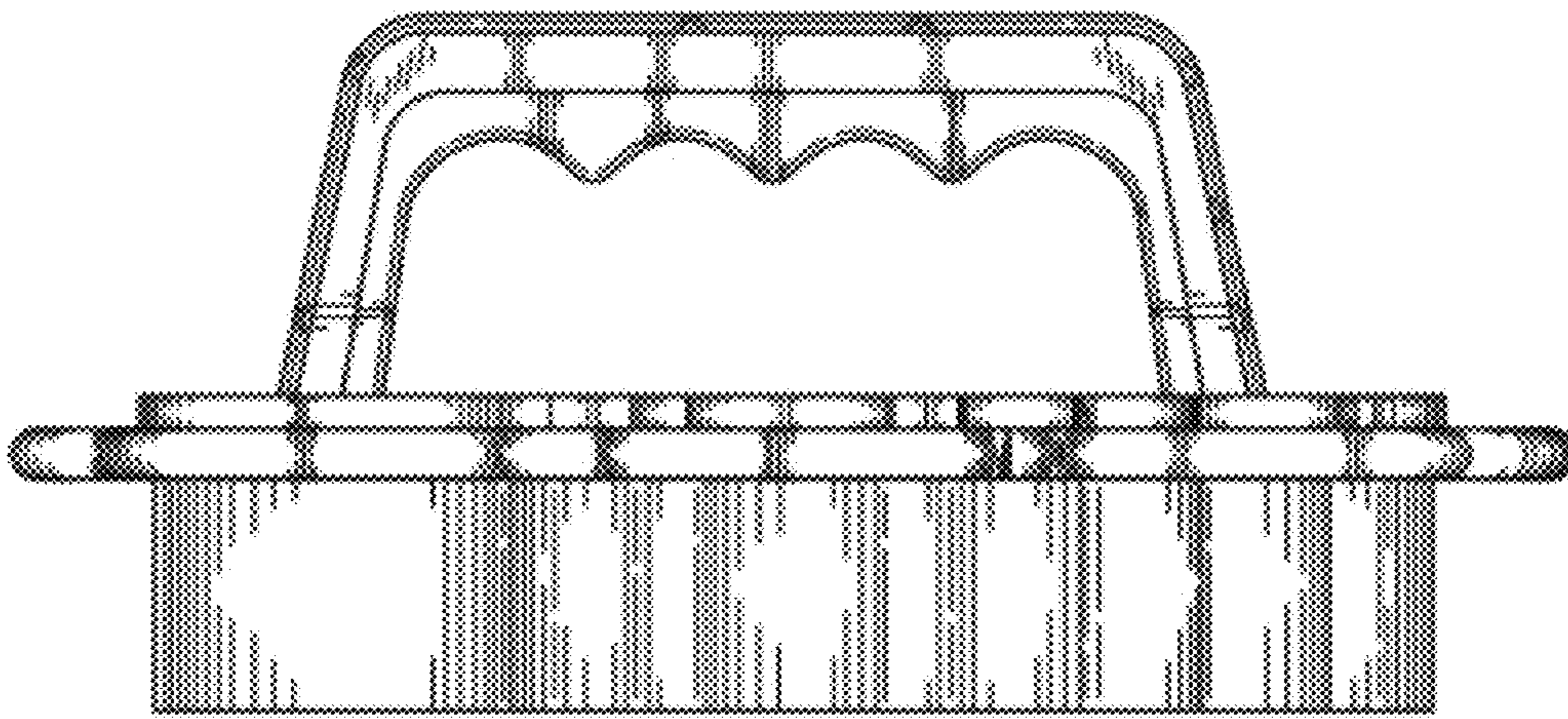


FIG. 5

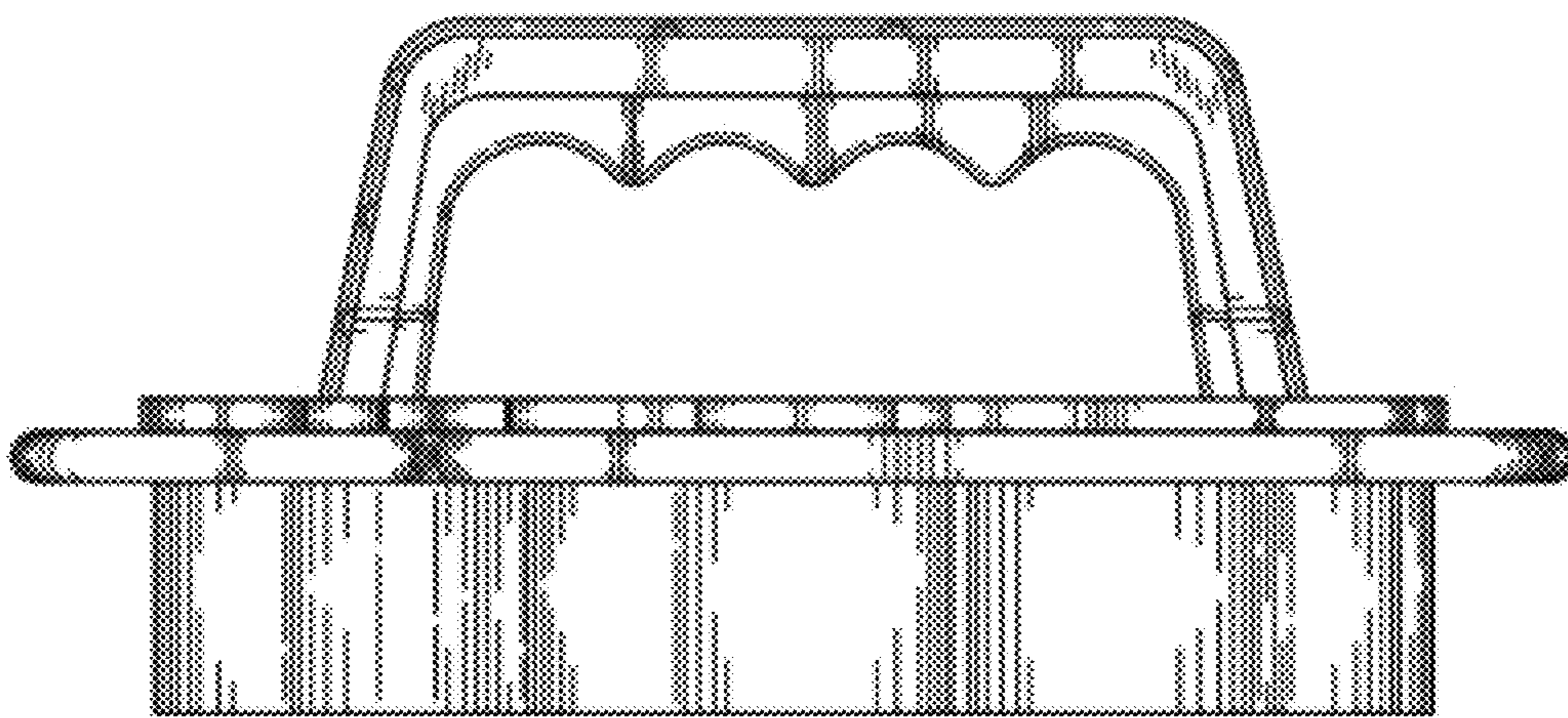


FIG. 6

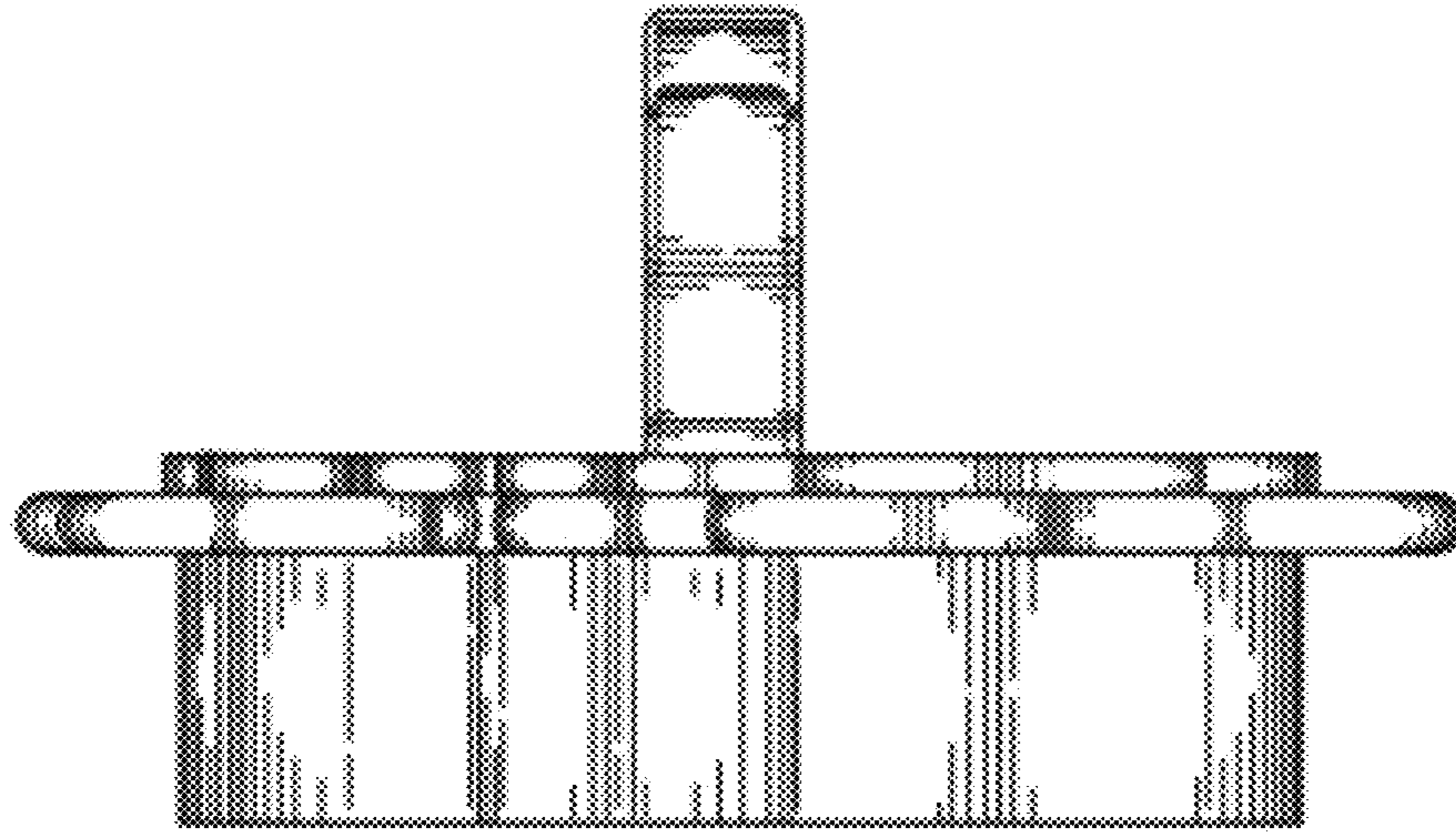


FIG. 7

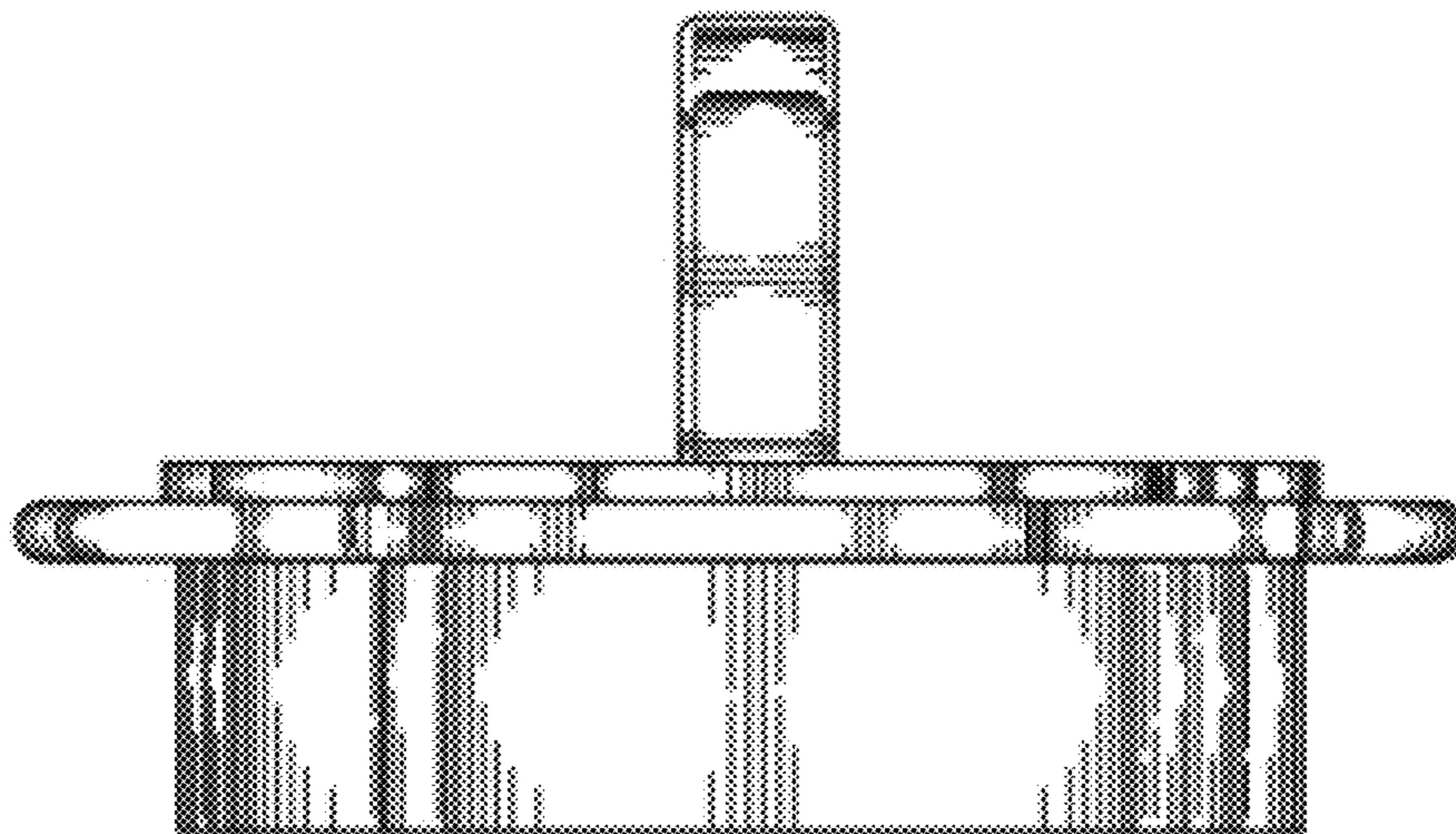


FIG. 8

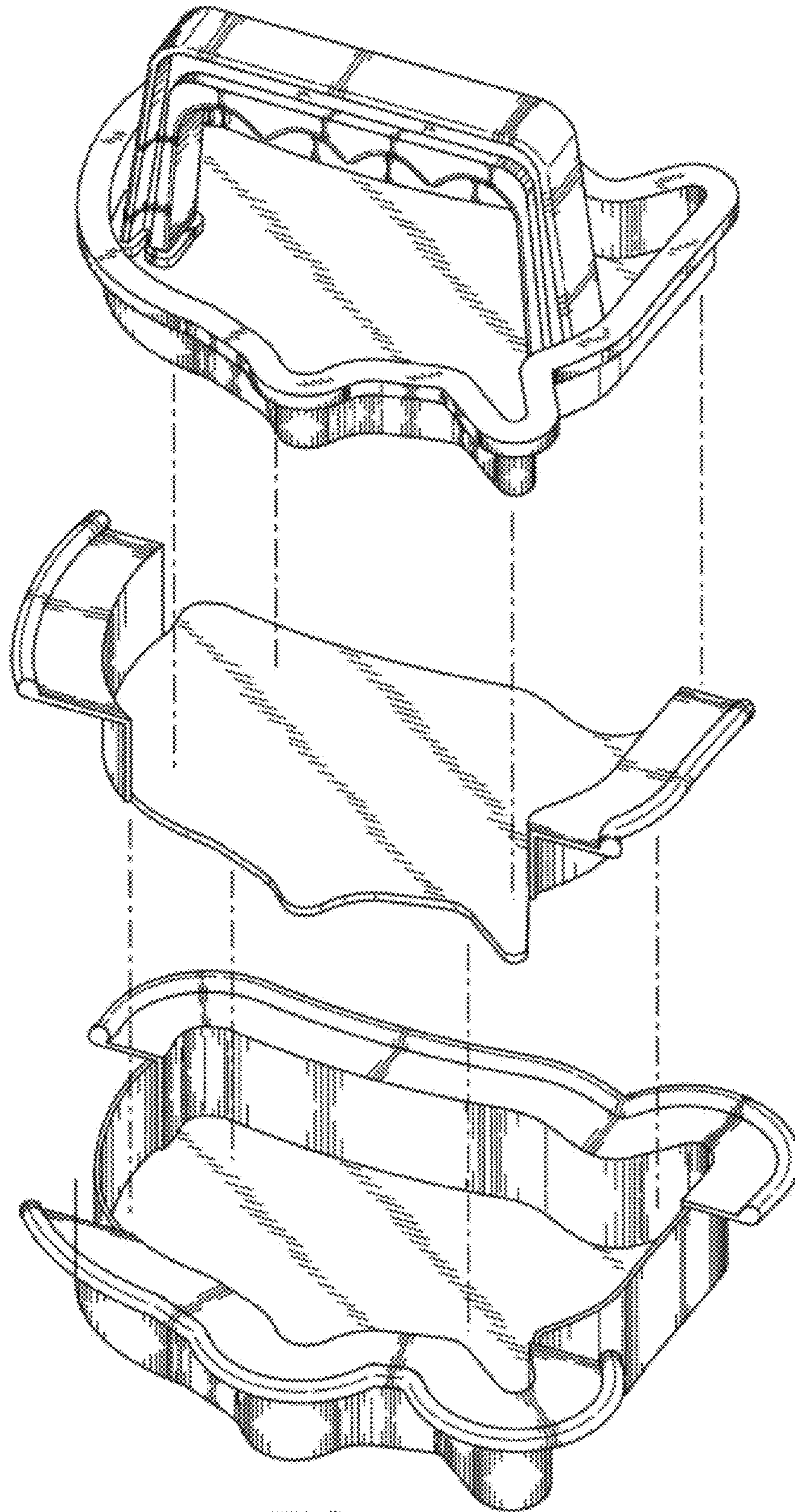


FIG. 9

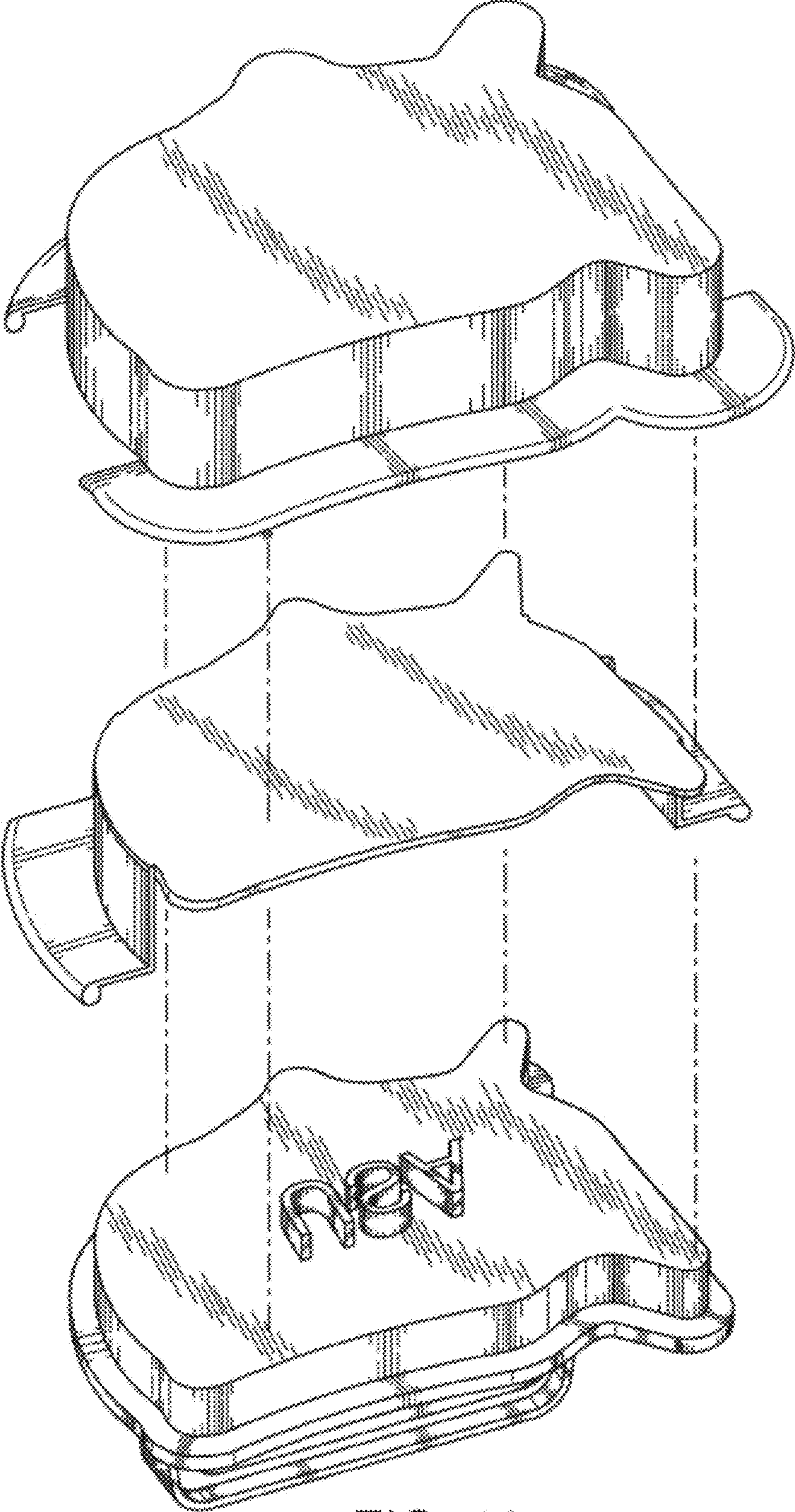


FIG. 10

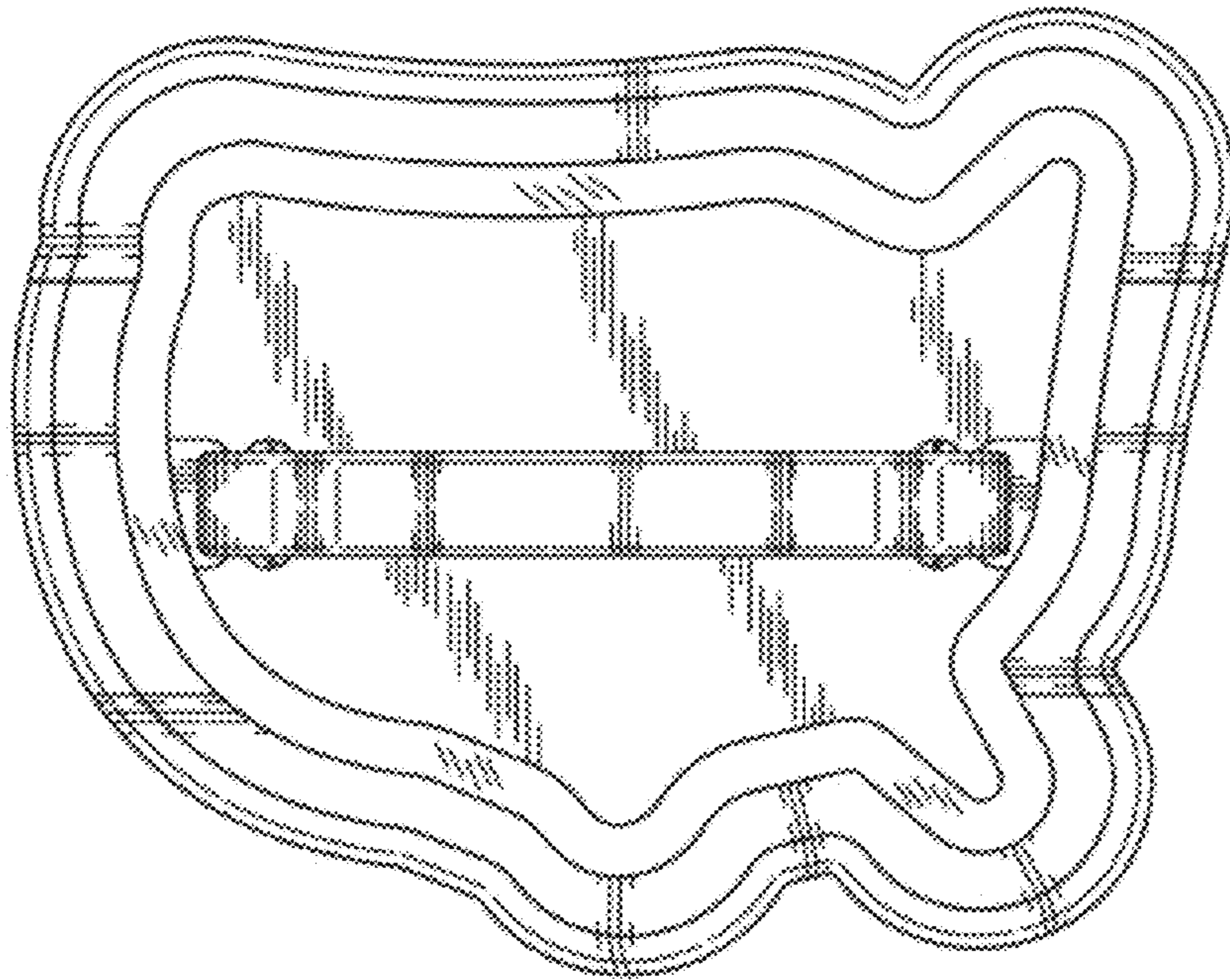


FIG. 11

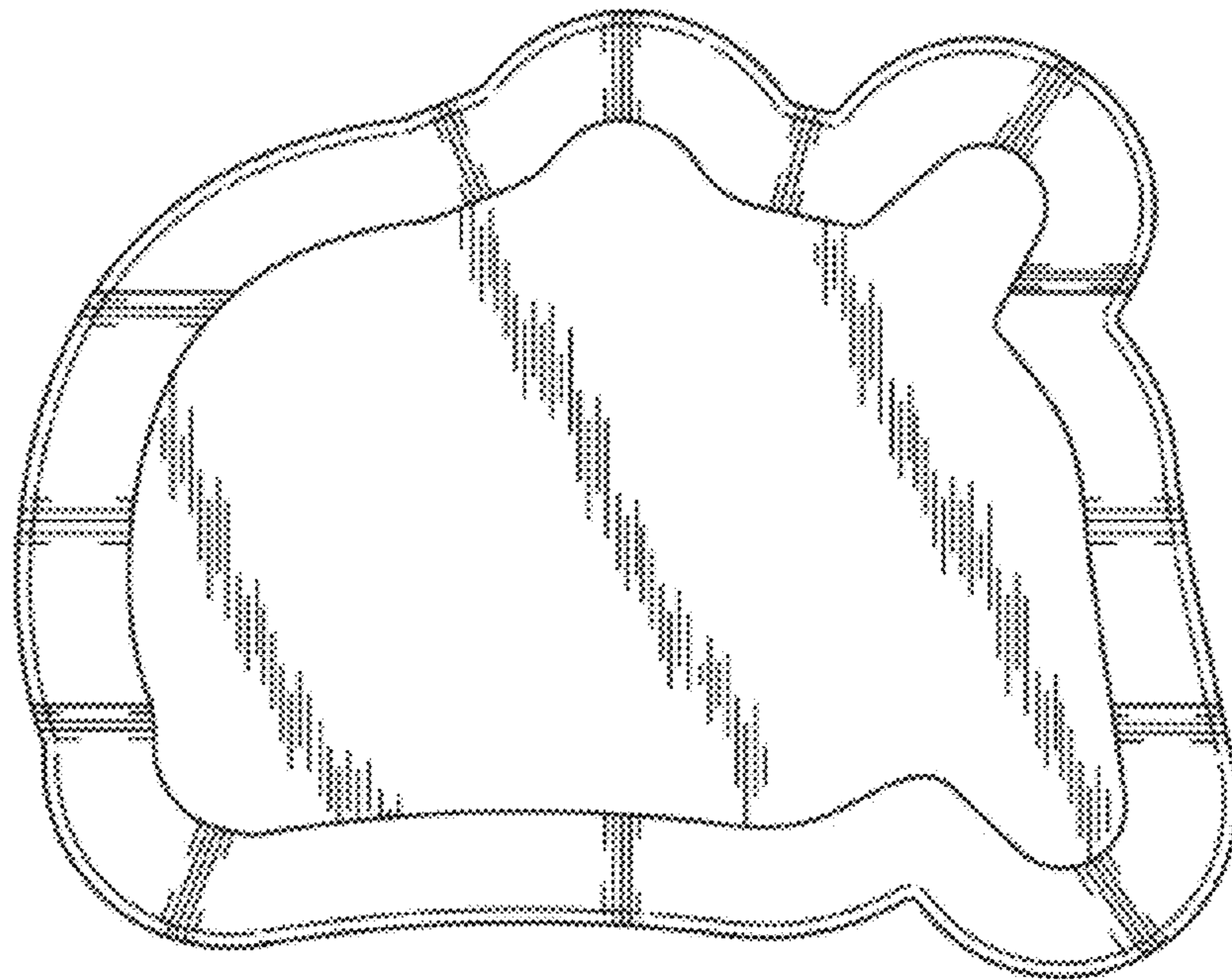


FIG. 12

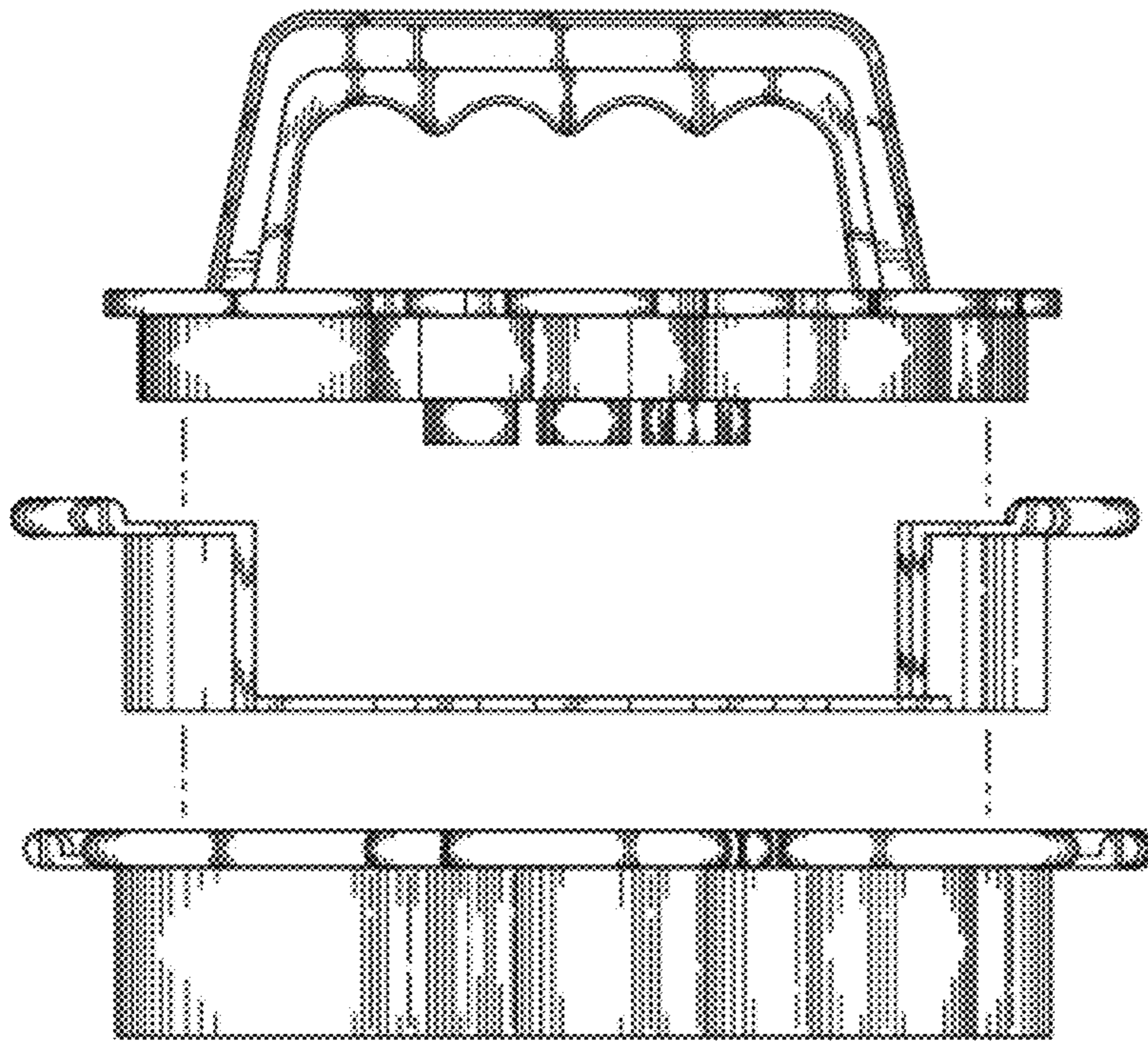


FIG. 13

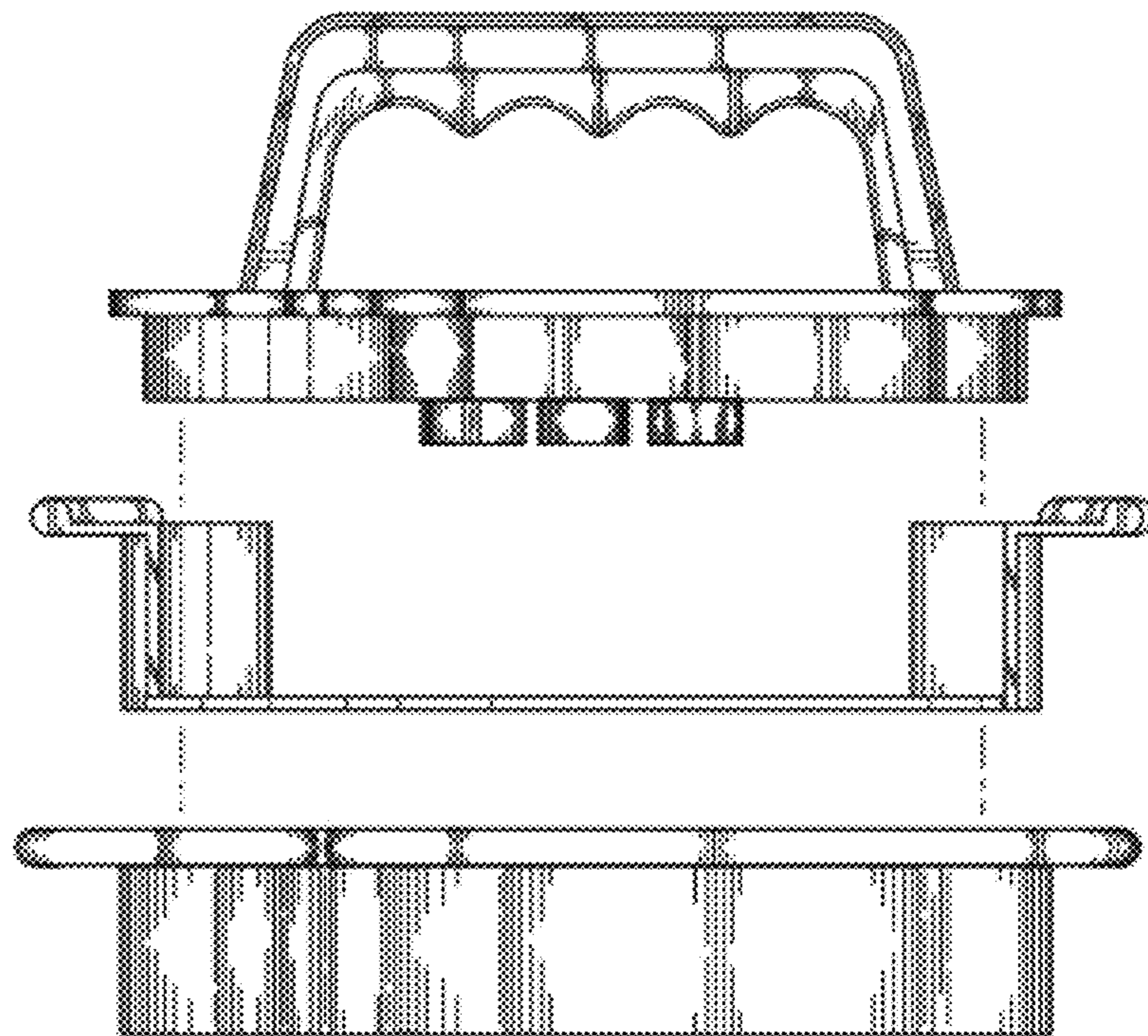


FIG. 14

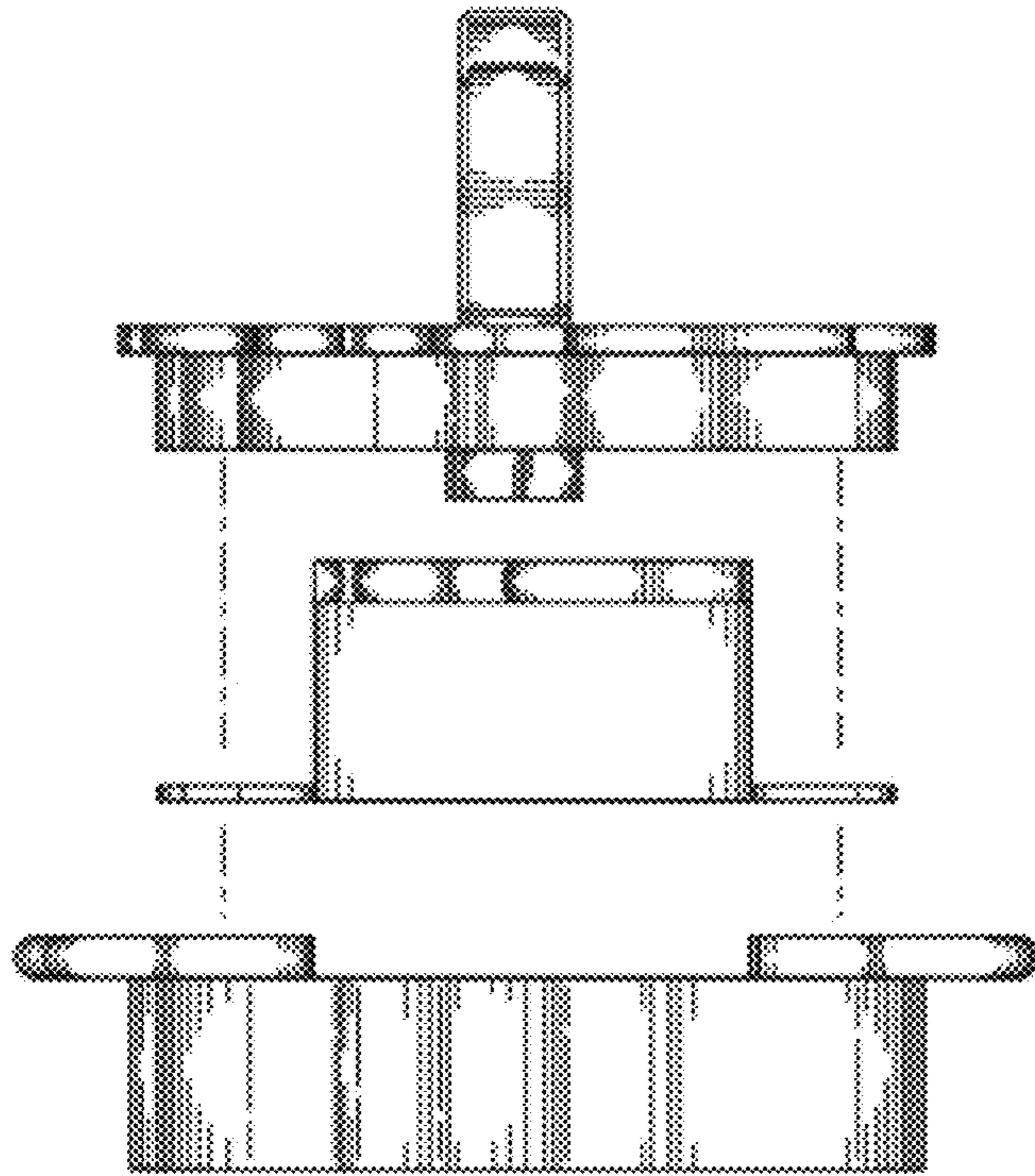


FIG. 15

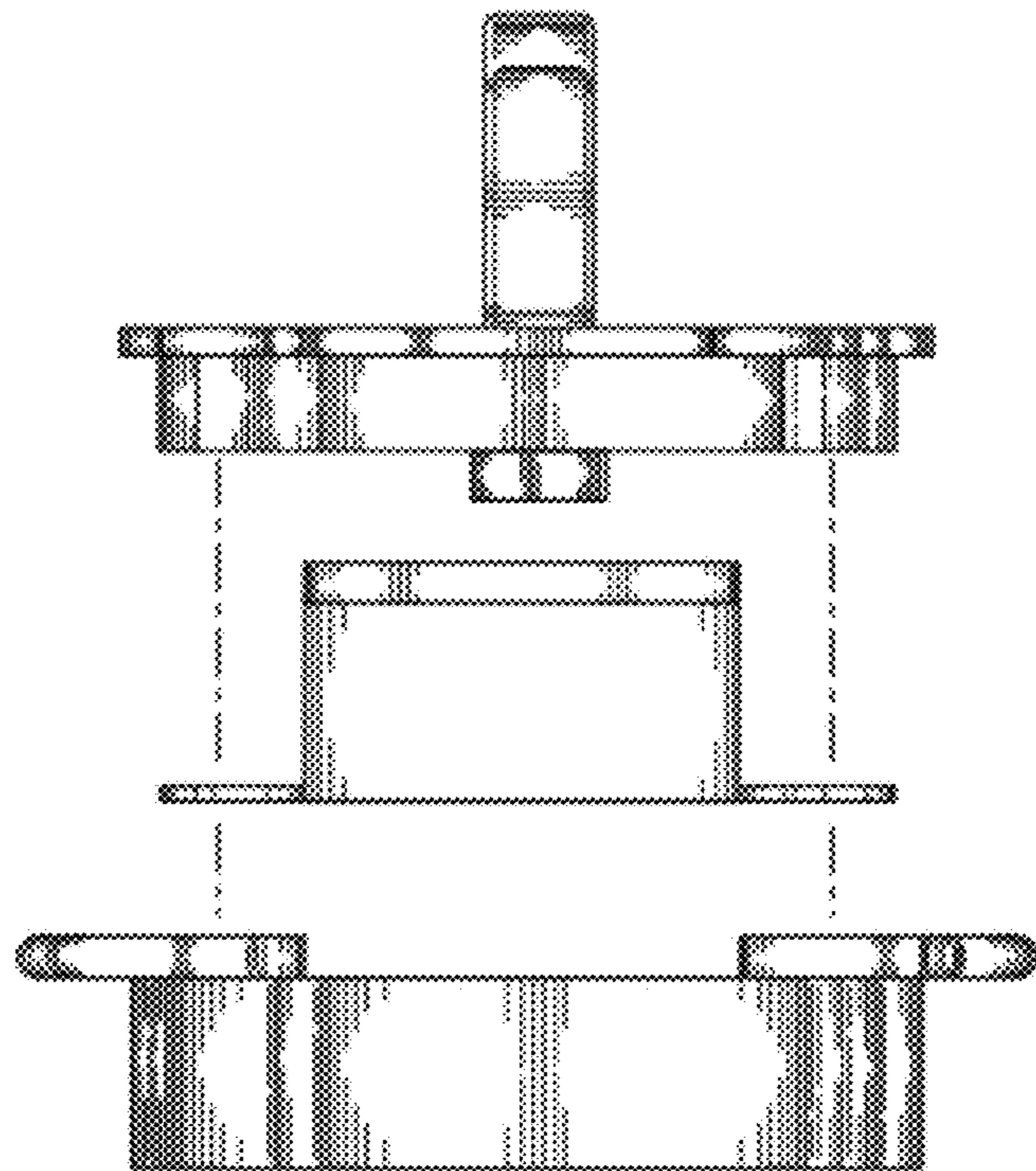


FIG. 16