

US00D666060S

(12) **United States Design Patent**
Welch

(10) **Patent No.:** **US D666,060 S**

(45) **Date of Patent:** **** Aug. 28, 2012**

(54) **BEVERAGE BOTTLE INSULATOR**

(76) Inventor: **James Douglas Welch**, Austin, TX (US)

(**) Term: **14 Years**

(21) Appl. No.: **29/374,802**

(22) Filed: **Oct. 7, 2011**

(51) **LOC (9) Cl.** **07-01**

(52) **U.S. Cl.** **D7/606; D7/607**

(58) **Field of Classification Search** D7/603–608,
D7/619.1–625; 62/457.1–457.9, 529, 530;
248/311.2, 309.1; 220/592.17, 592.24, 737–739,
220/903, 902, 592.16, 592.2; 215/12.1, 12.2,
215/13.1, 396, 398; 383/6, 7, 10, 2, 95, 109,
383/110

See application file for complete search history.

(56) **References Cited**

U.S. PATENT DOCUMENTS

4,282,279 A * 8/1981 Strickland 220/903
D302,509 S * 8/1989 Byrns D7/608
5,915,580 A * 6/1999 Melk 215/386
D432,873 S * 10/2000 Fair D7/624.3

D470,310 S * 2/2003 Walley et al. D7/624.3
6,550,271 B2 * 4/2003 Silbert 62/457.4
D590,212 S * 4/2009 Mancha et al. D7/624.2
D601,862 S * 10/2009 Welch D7/624.2
D614,001 S * 4/2010 Welch D7/605
2009/0294463 A1 * 12/2009 Stack 220/739

* cited by examiner

Primary Examiner — Terry Wallace

(74) *Attorney, Agent, or Firm* — David O. Simmons

(57) **CLAIM**

The ornamental design for a beverage bottle insulator, as shown and described.

DESCRIPTION

FIG. 1 is a front perspective view of a beverage bottle insulator showing my new design.

FIG. 2 is a front view thereof.

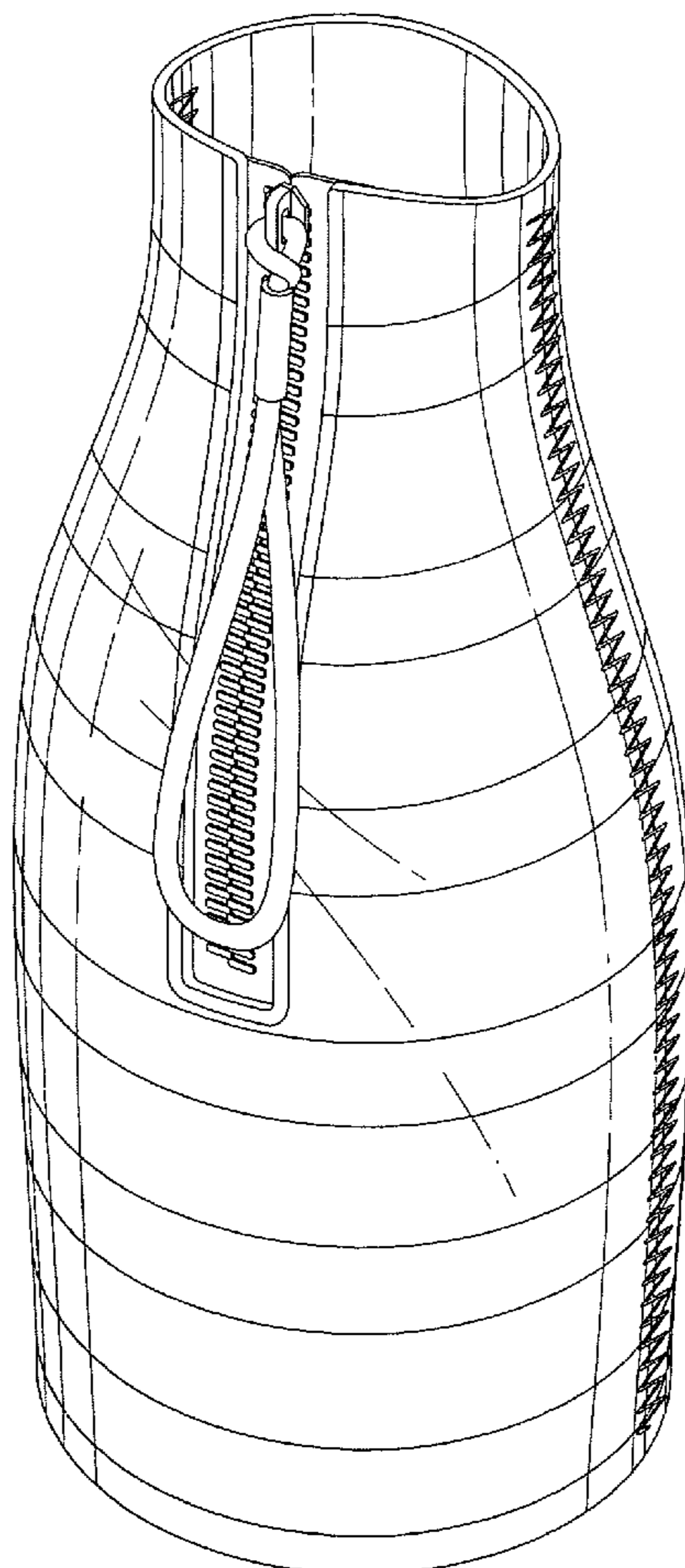
FIG. 3 is a rear view thereof.

FIG. 4 is a side view thereof, the opposite side being a mirror image.

FIG. 5 is a top plan view thereof; and,

FIG. 6 is a bottom plan view thereof.

1 Claim, 4 Drawing Sheets



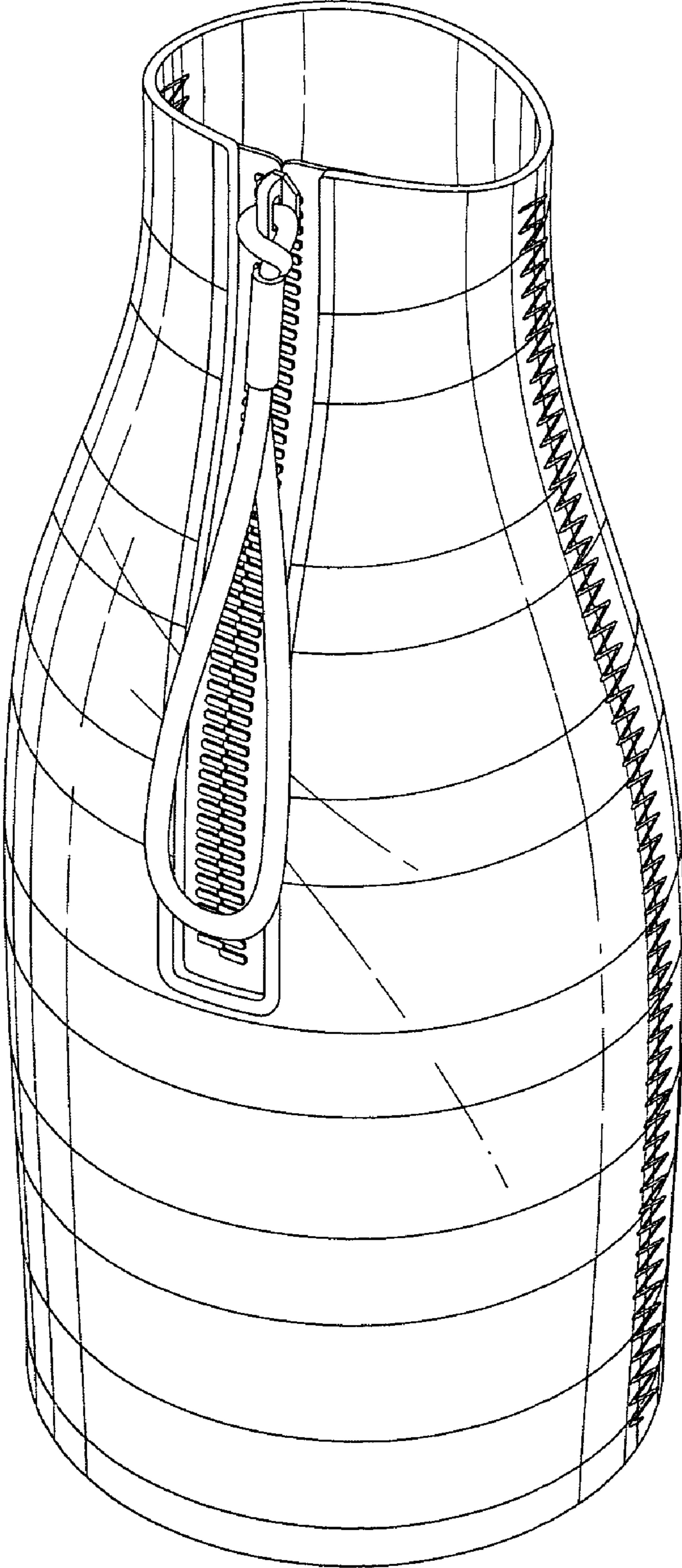


Fig. 1

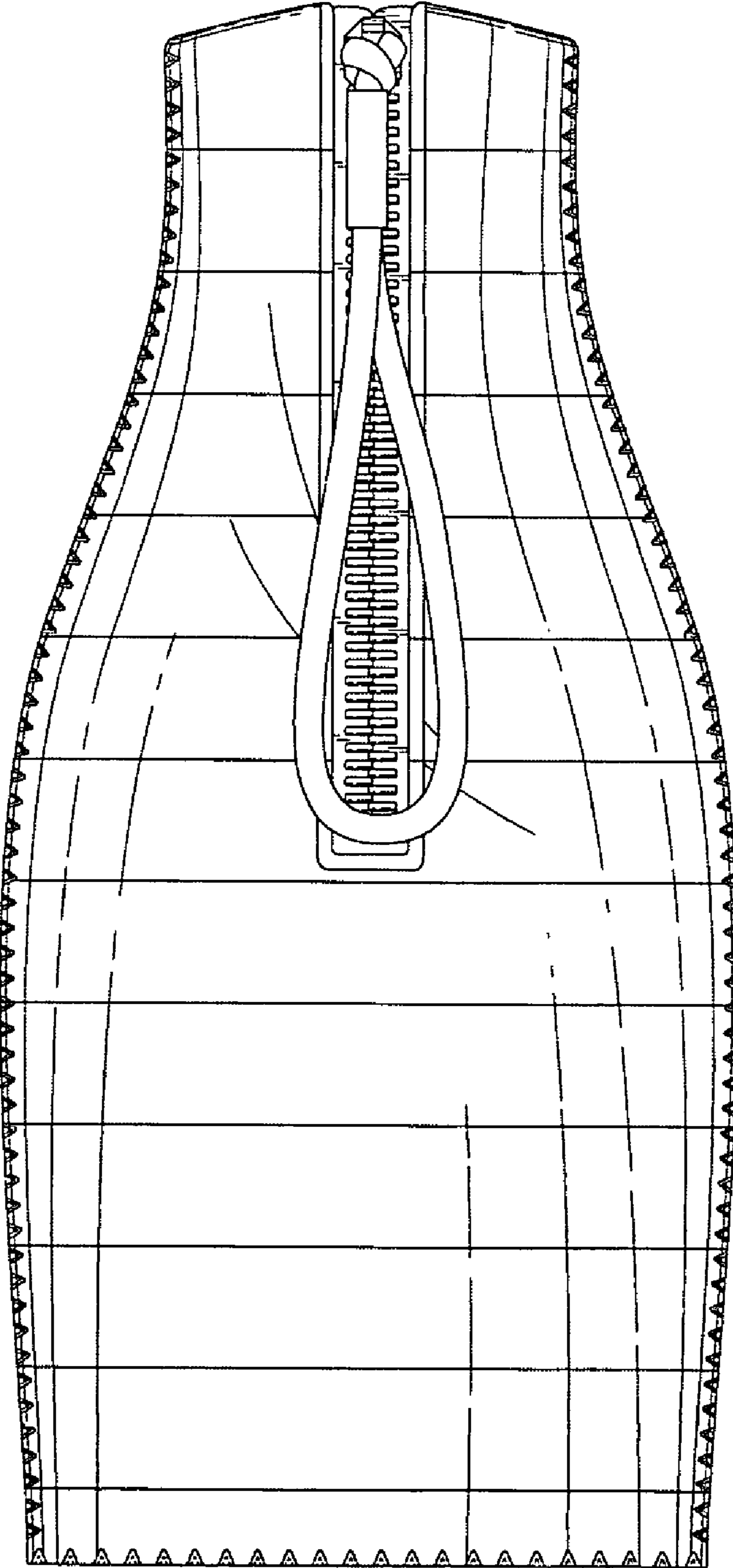


Fig. 2

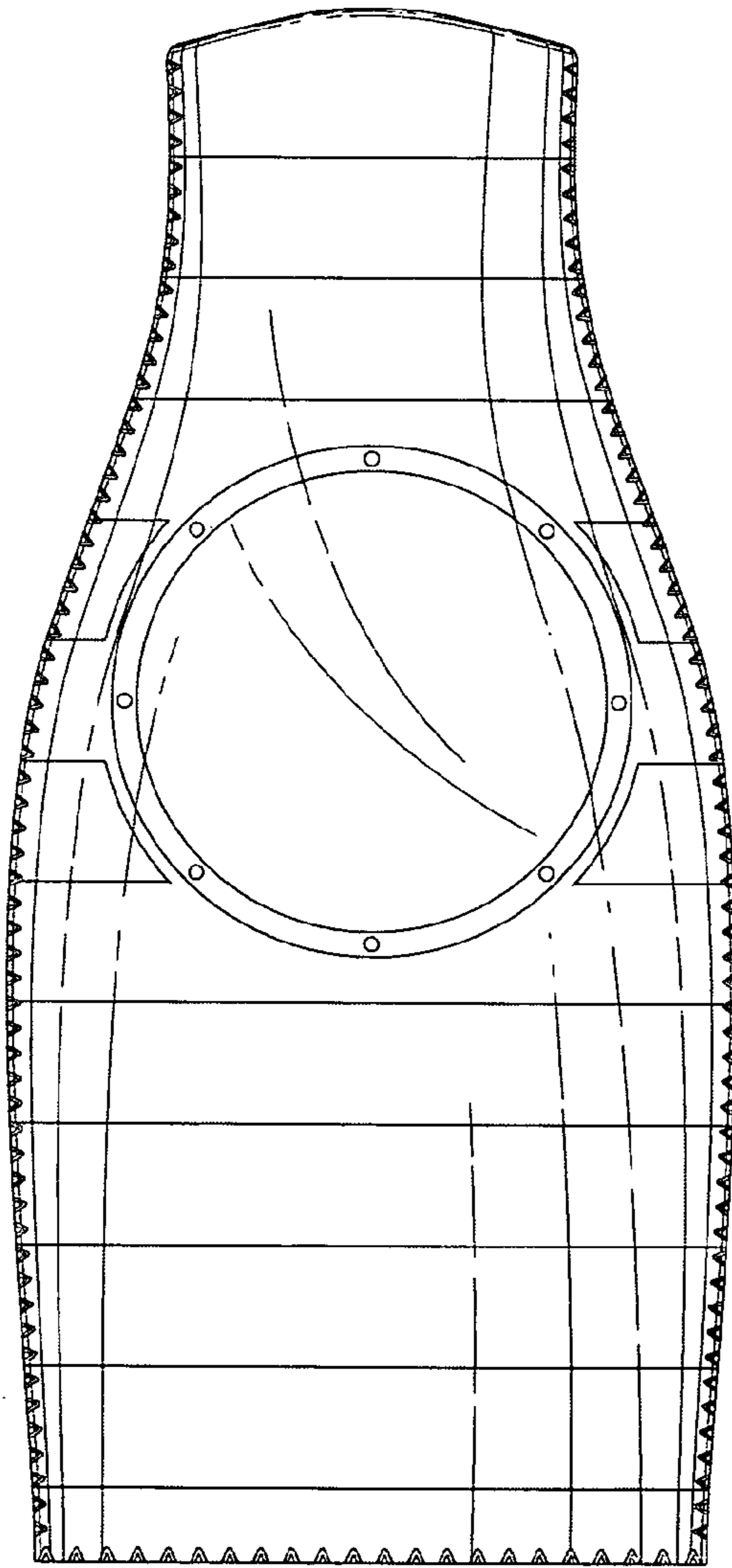


Fig. 3

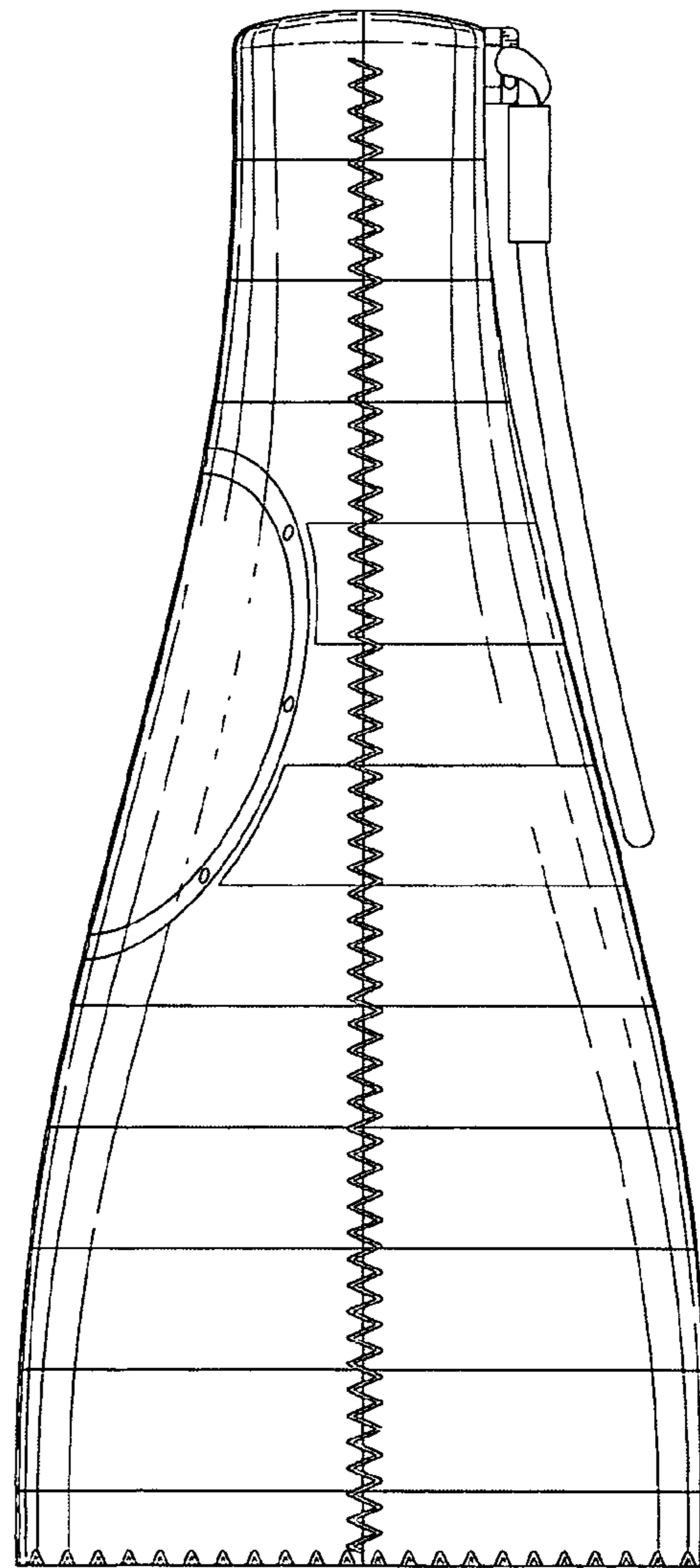


Fig. 4

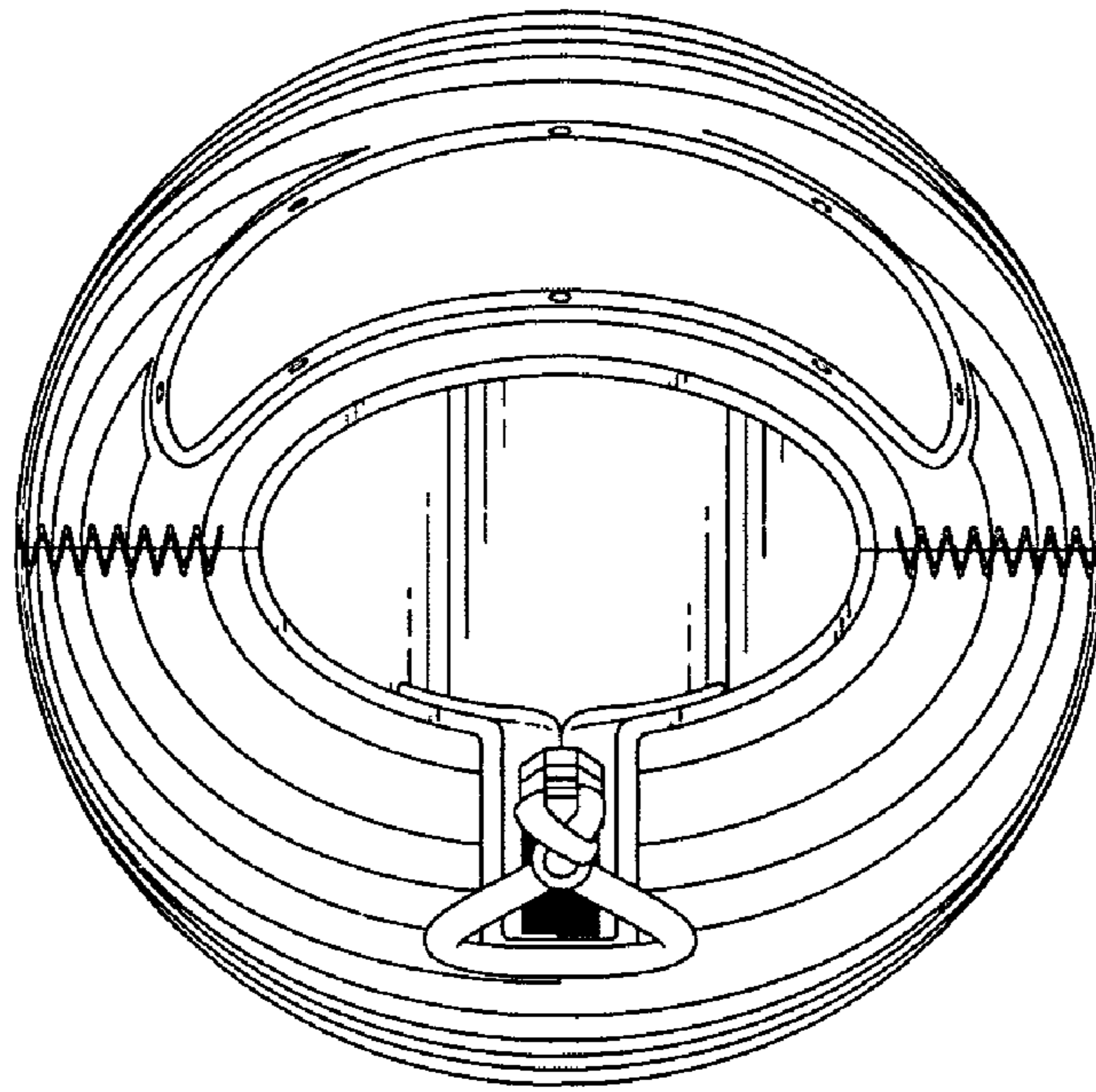


Fig. 5

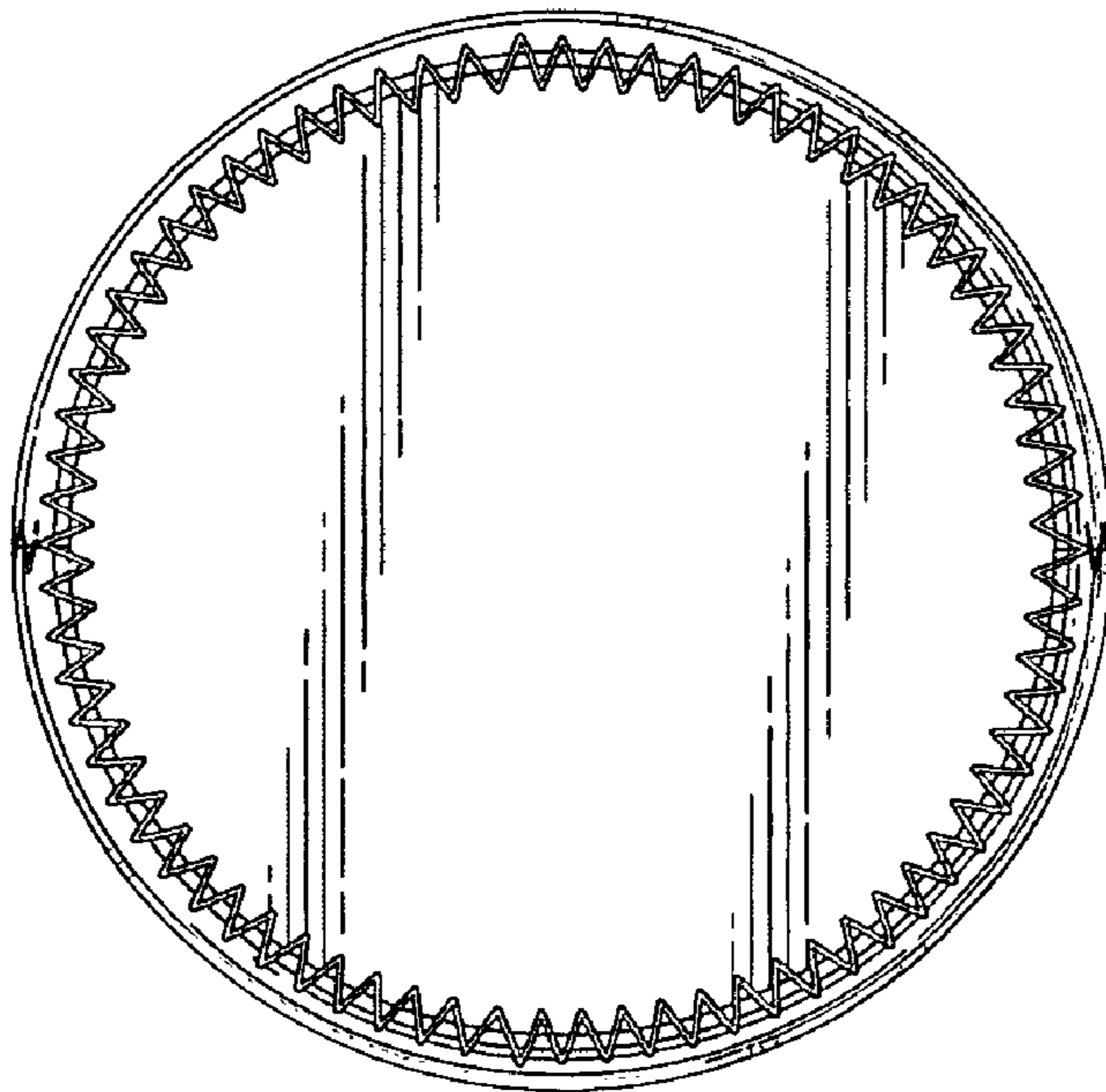


Fig. 6