



US00D666057S

(12) **United States Design Patent**
Theuretzbacher

(10) **Patent No.:** **US D666,057 S**

(45) **Date of Patent:** **** Aug. 28, 2012**

(54) **BLENDER JAR**

(76) Inventor: **Alfred Theuretzbacher**, Hausmening
(AT)

(**) Term: **14 Years**

(21) Appl. No.: **29/402,481**

(22) Filed: **Sep. 23, 2011**

(30) **Foreign Application Priority Data**

Mar. 23, 2011	(EM)	001268031-0001
Mar. 23, 2011	(EM)	001268031-0002
Mar. 23, 2011	(EM)	001268031-0003
Mar. 23, 2011	(EM)	001268031-0004
Mar. 23, 2011	(EM)	001268031-0005

(51) **LOC (9) Cl.** **07-02**

(52) **U.S. Cl.** **D7/413; D7/376; D7/378**

(58) **Field of Classification Search** D7/301-313,
D7/316-319, 368, 372-386, 391, 412-415,
D7/515, 533, 665, 679; D10/46.3; 99/326,
99/348, 508-511; 241/30-37.5, 101.01-101.2,
241/166-169.1, 172, 285.1-285.3, 291, 292.1;
366/64-67, 98, 129, 142, 197-211, 241-254,
366/262, 279-292, 325.8, 325.92, 341-347;
416/75-77, 70 R, 163

See application file for complete search history.

(56) **References Cited**

U.S. PATENT DOCUMENTS

D99,405 S * 4/1936 Marschall D10/46.3

(Continued)

Primary Examiner — Ricky Pham

(74) *Attorney, Agent, or Firm* — Andrew Wilford

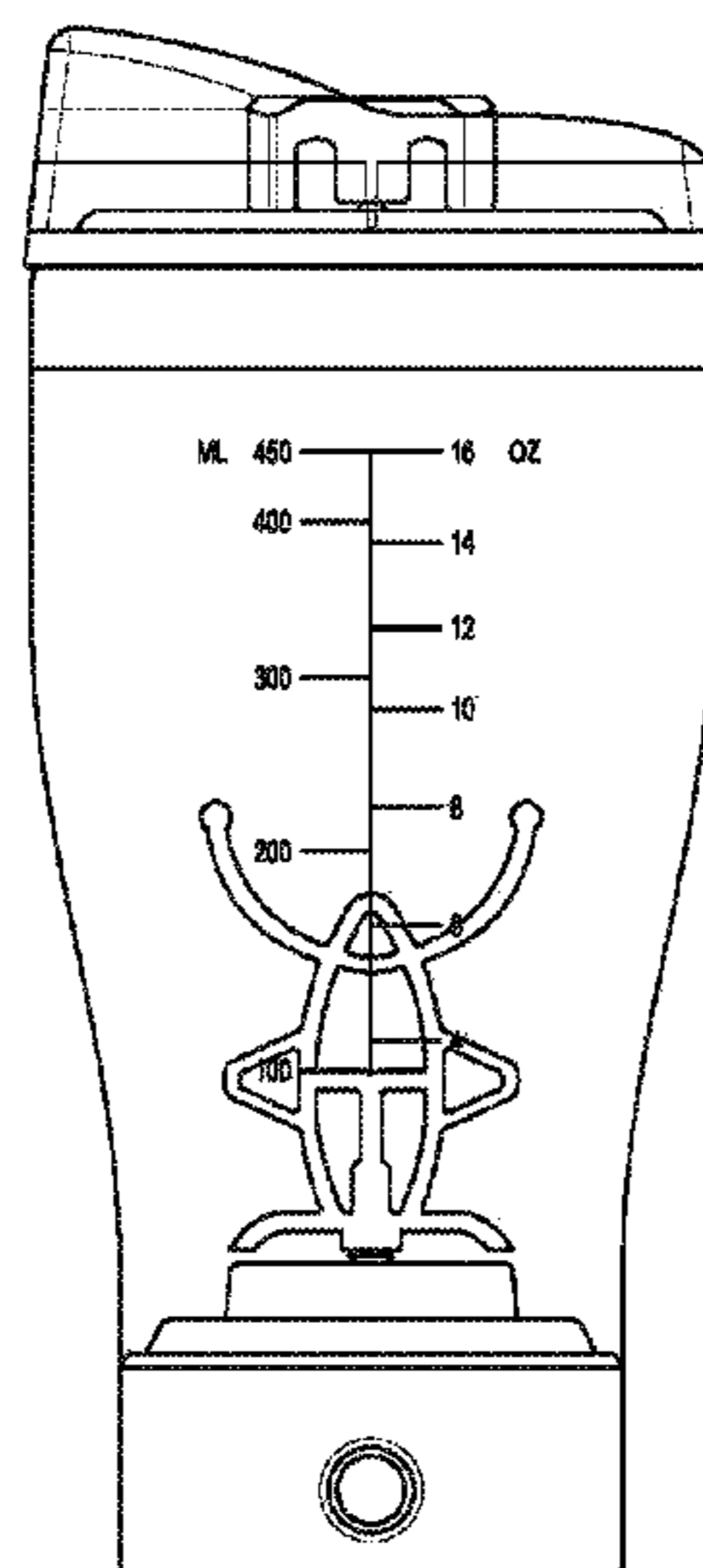
(57) **CLAIM**

The ornamental design for a blender jar as shown and described.

DESCRIPTION

FIG. 1 is a front elevational view of the blender jar;
 FIG. 2 is a back elevational view of the blender jar;
 FIG. 3 is an enlarged top view of the blender jar;
 FIG. 4 is an enlarged bottom view of the blender jar;
 FIG. 5 is a front perspective view of the jar, with its cap offset by 180° to its position in FIG. 1;
 FIG. 6 is a front elevational view of a second embodiment of the blender jar;
 FIG. 7 is a back elevational view of the second embodiment of the blender jar;
 FIG. 8 is an enlarged top view of the second embodiment of the blender jar;
 FIG. 9 is an enlarged bottom view of the second embodiment of the blender jar;
 FIG. 10 is a front perspective view of the second embodiment of the jar, with its cap offset by 180° to its position in FIG. 6;
 FIG. 11 is a front elevational view of a third embodiment of the blender jar;
 FIG. 12 is a back elevational view of the third embodiment of the blender jar;
 FIG. 13 is an enlarged top view of the third embodiment of the blender jar;
 FIG. 14 is an enlarged bottom view of the third embodiment of the blender jar;
 FIG. 15 is a front perspective view of the third embodiment of the jar, with its cap offset by 180° to its position in FIG. 11;
 FIG. 16 is a front elevational view of a fourth embodiment of the blender jar;
 FIG. 17 is a back elevational view of the fourth embodiment of the blender jar;
 FIG. 18 is an enlarged top view of the fourth embodiment of the blender jar;
 FIG. 19 is an enlarged bottom view of the fourth embodiment of the blender jar; and,
 FIG. 20 is a front perspective view of the fourth embodiment of the jar, with its cap offset by 180° to its position in FIG. 16.

1 Claim, 16 Drawing Sheets



US D666,057 S

Page 2

U.S. PATENT DOCUMENTS

2,726,071	A *	12/1955	Bernhardt	366/256	7,441,944	B2 *	10/2008	Sands	366/205
5,407,270	A *	4/1995	Barile et al.	366/247	7,766,540	B2 *	8/2010	Saunders et al.	366/251
D398,815	S *	9/1998	Hatsumoto et al.	D7/533	7,946,752	B2 *	5/2011	Swartz et al.	366/247
6,012,837	A *	1/2000	Thuma	366/294	2005/0174882	A1 *	8/2005	Krasne et al.	366/249
D437,731	S *	2/2001	Thackray	D7/413	2007/0056447	A1 *	3/2007	Swartz et al.	99/287
D479,671	S *	9/2003	Gluck	D7/533	2008/0196602	A1 *	8/2008	Sands	99/513

* cited by examiner

Fig. 1

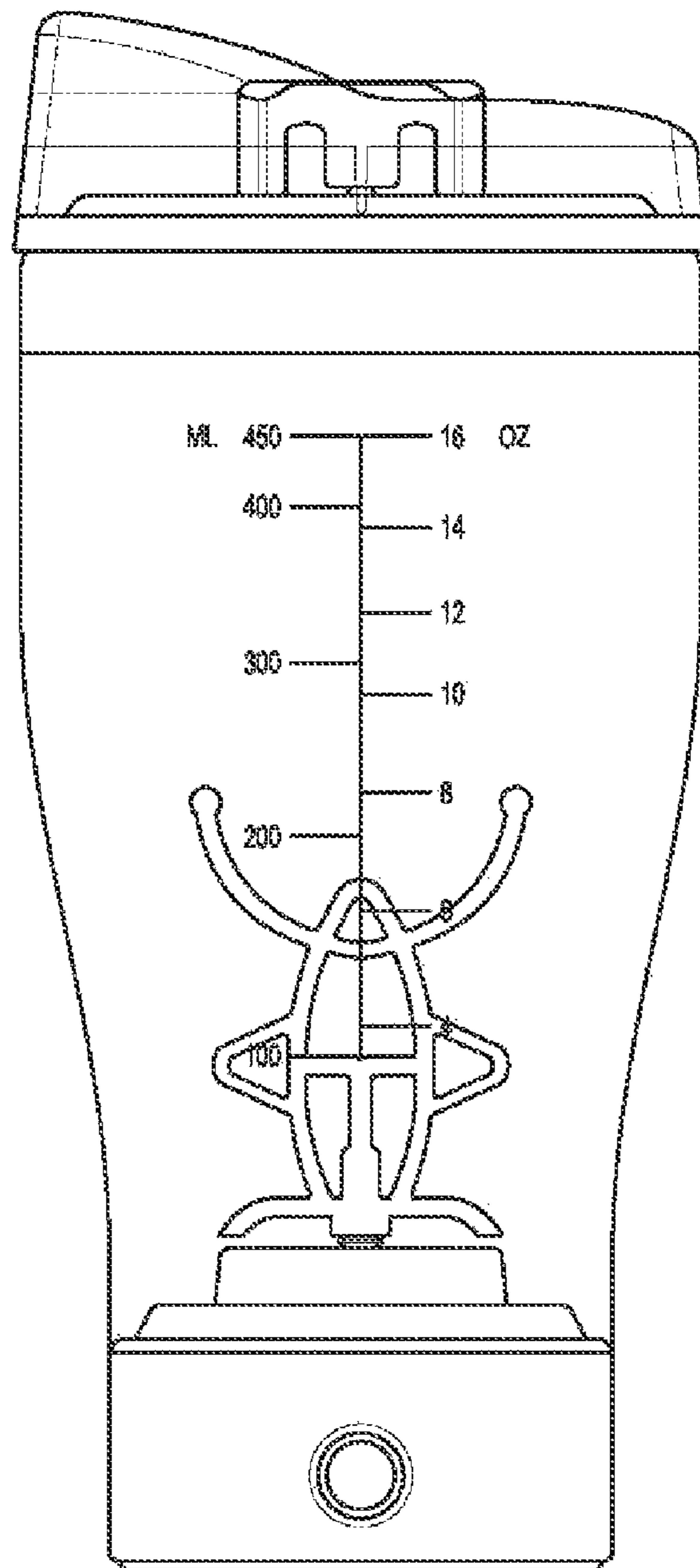


Fig. 2

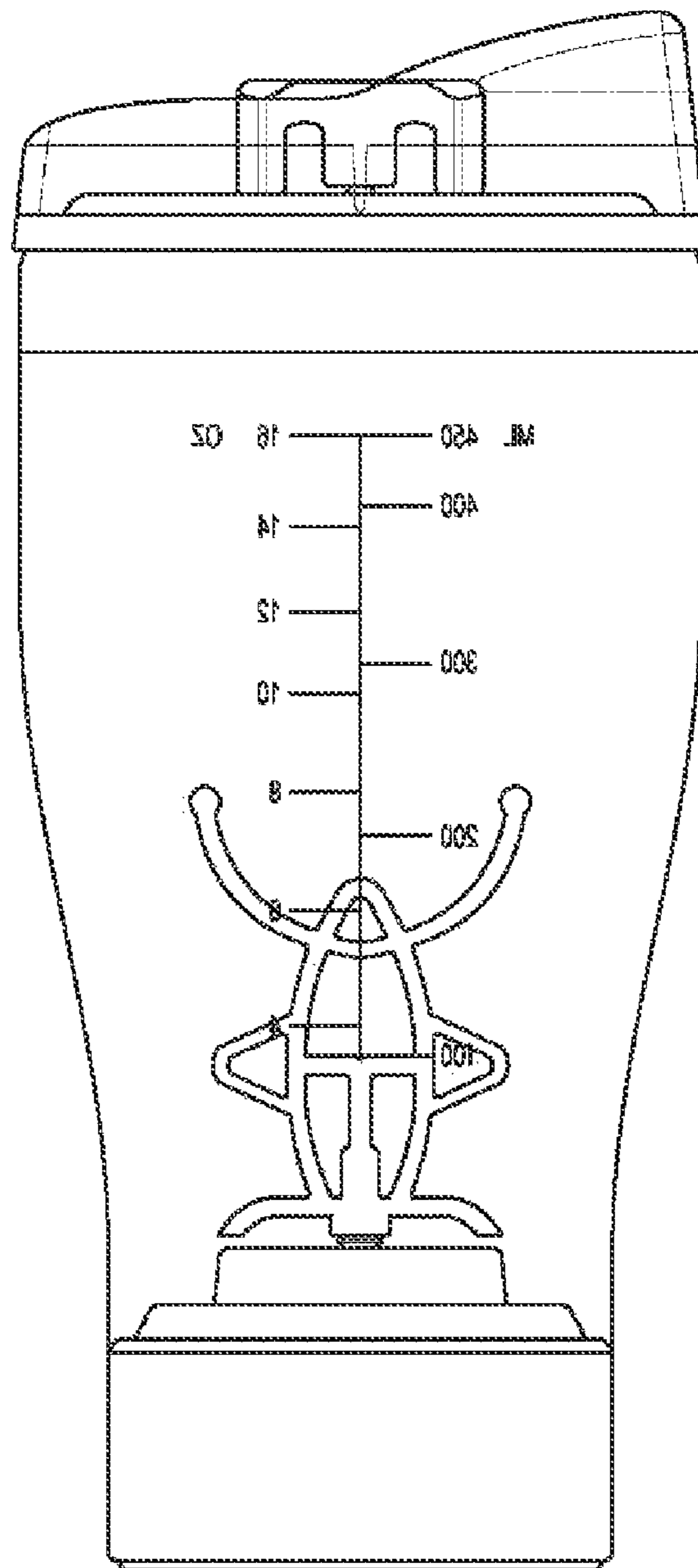


Fig. 3

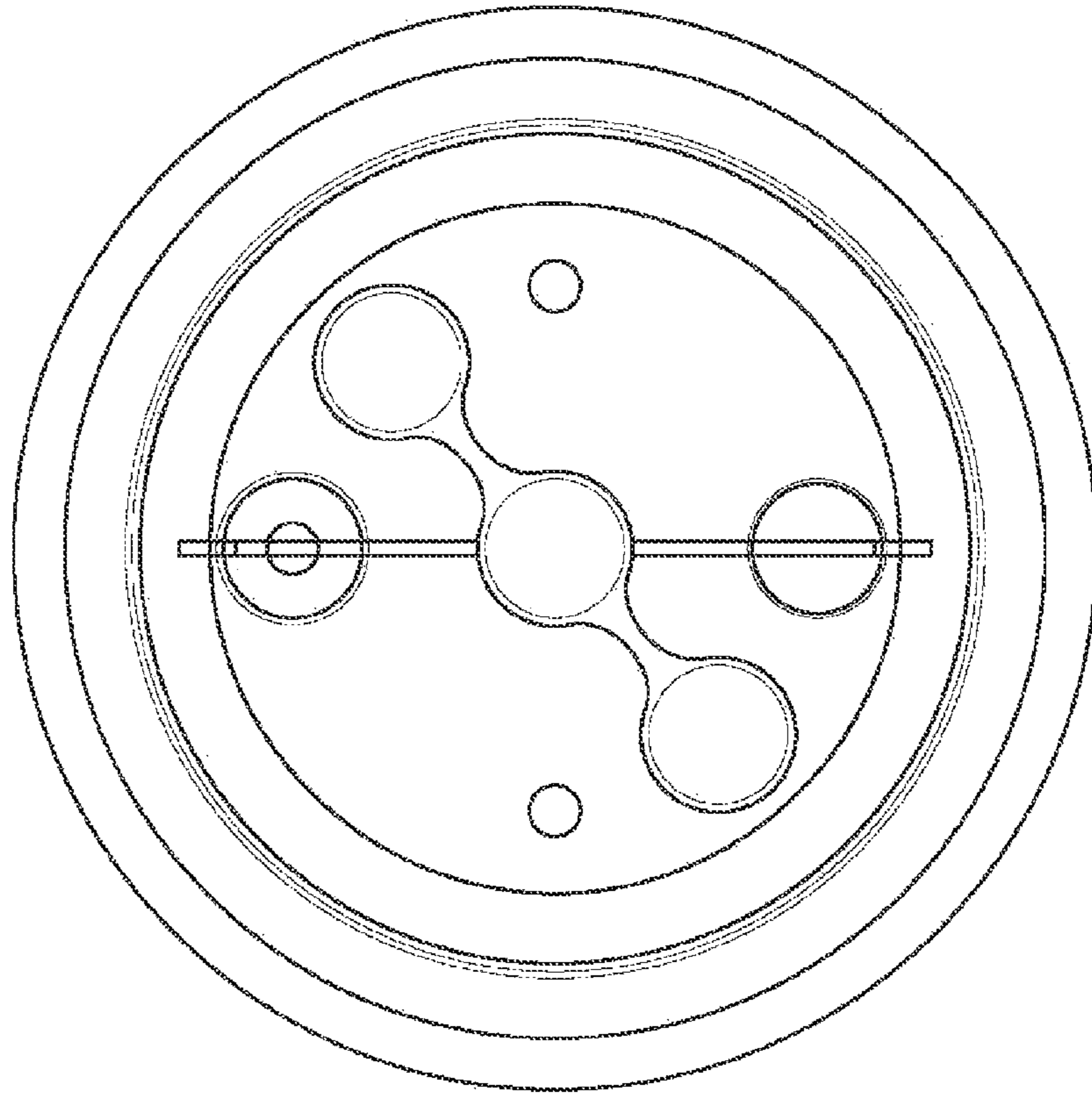


Fig. 4

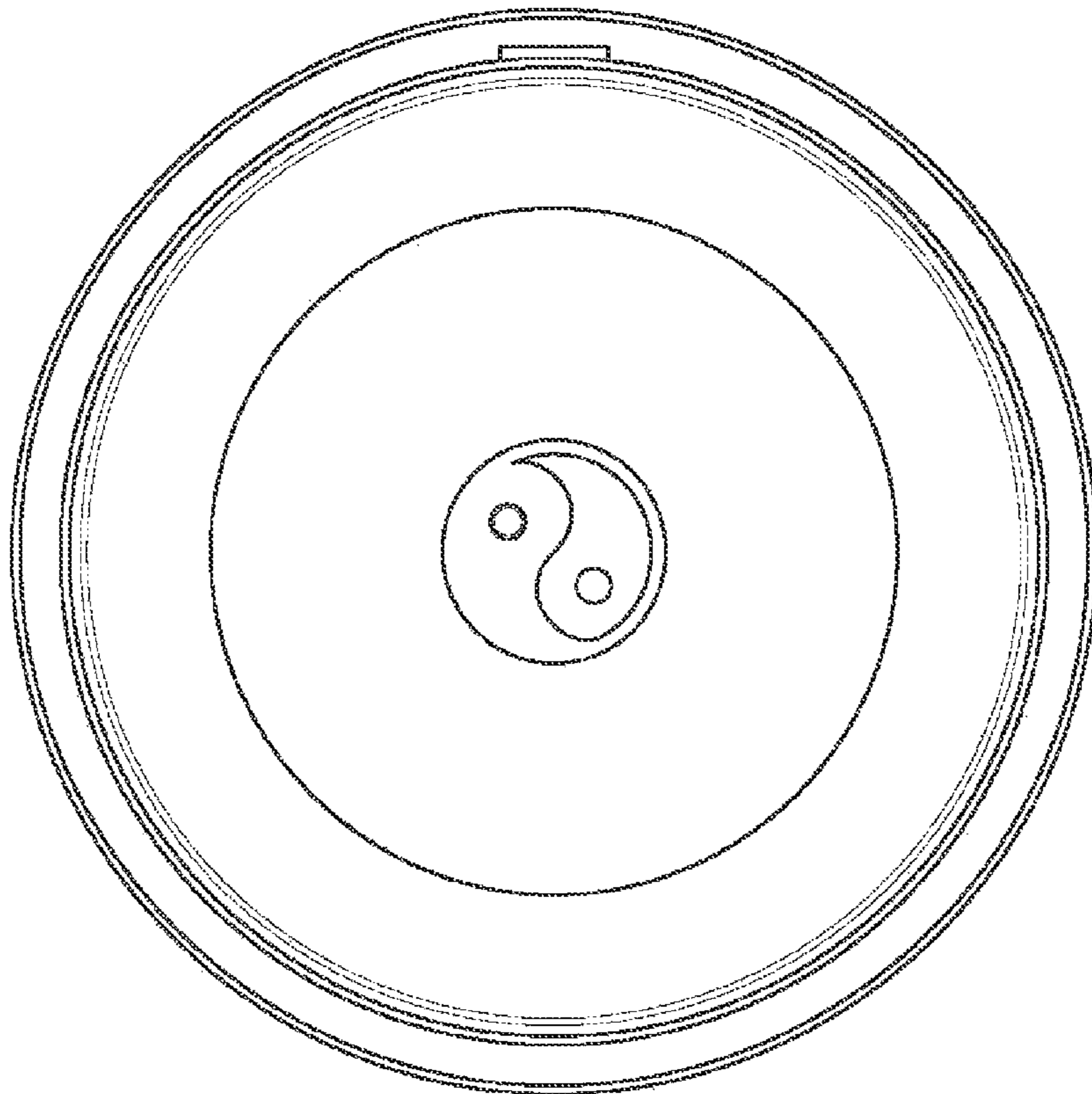


Fig. 5

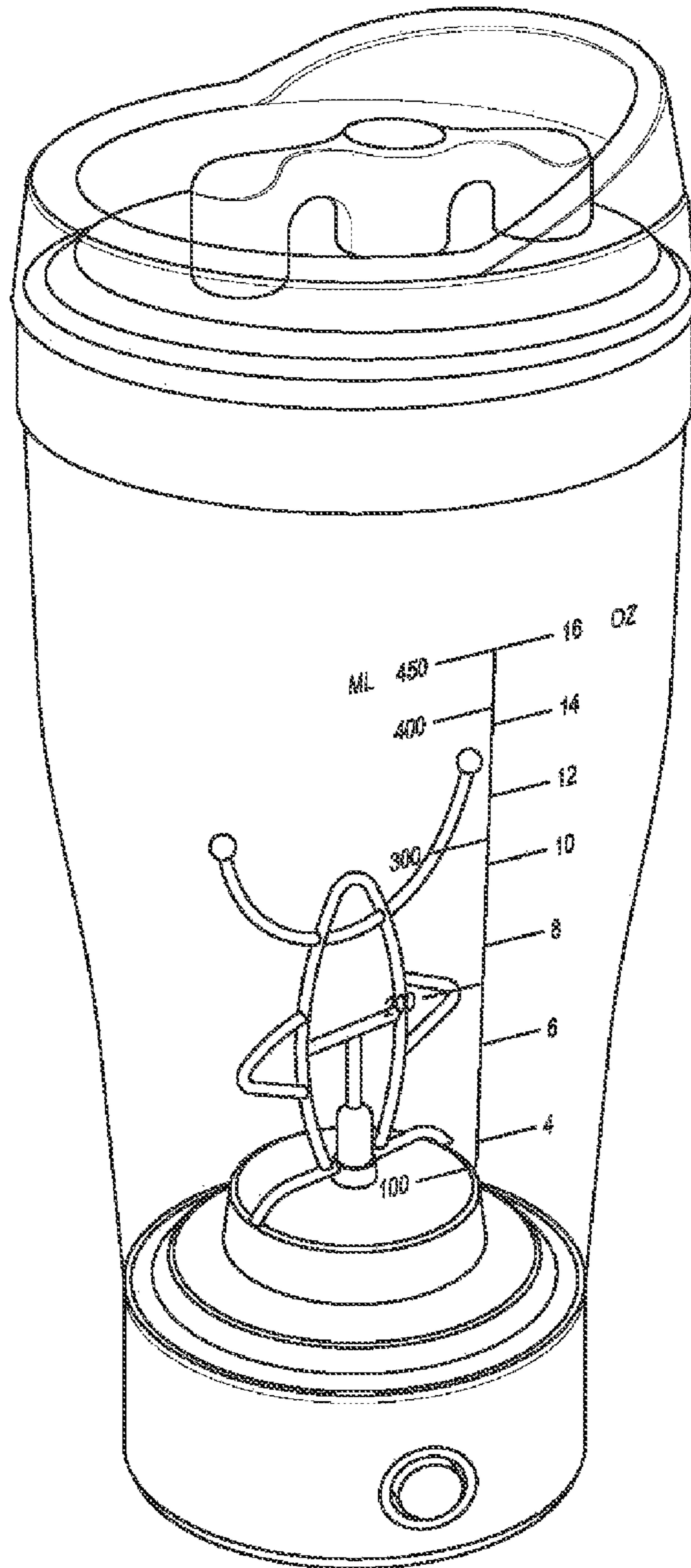


Fig. 6

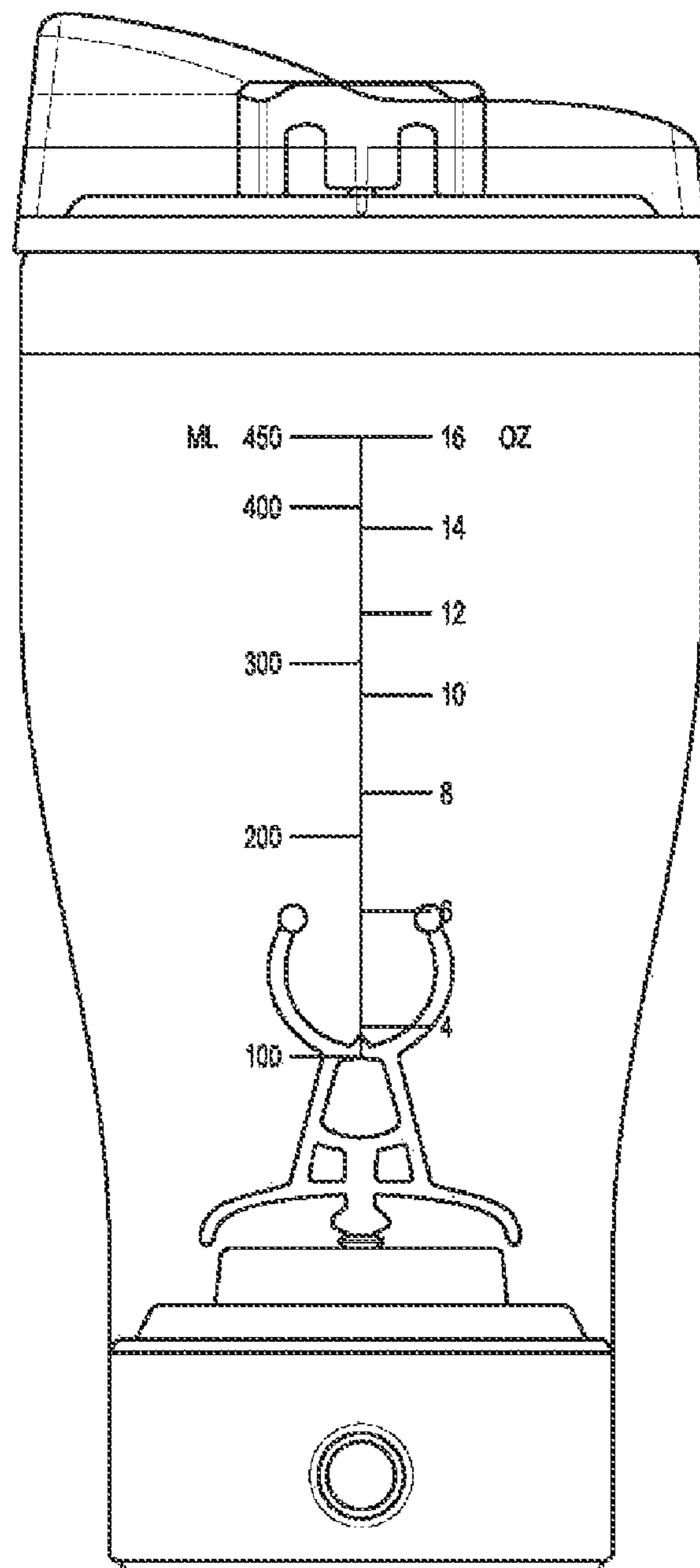


Fig. 7

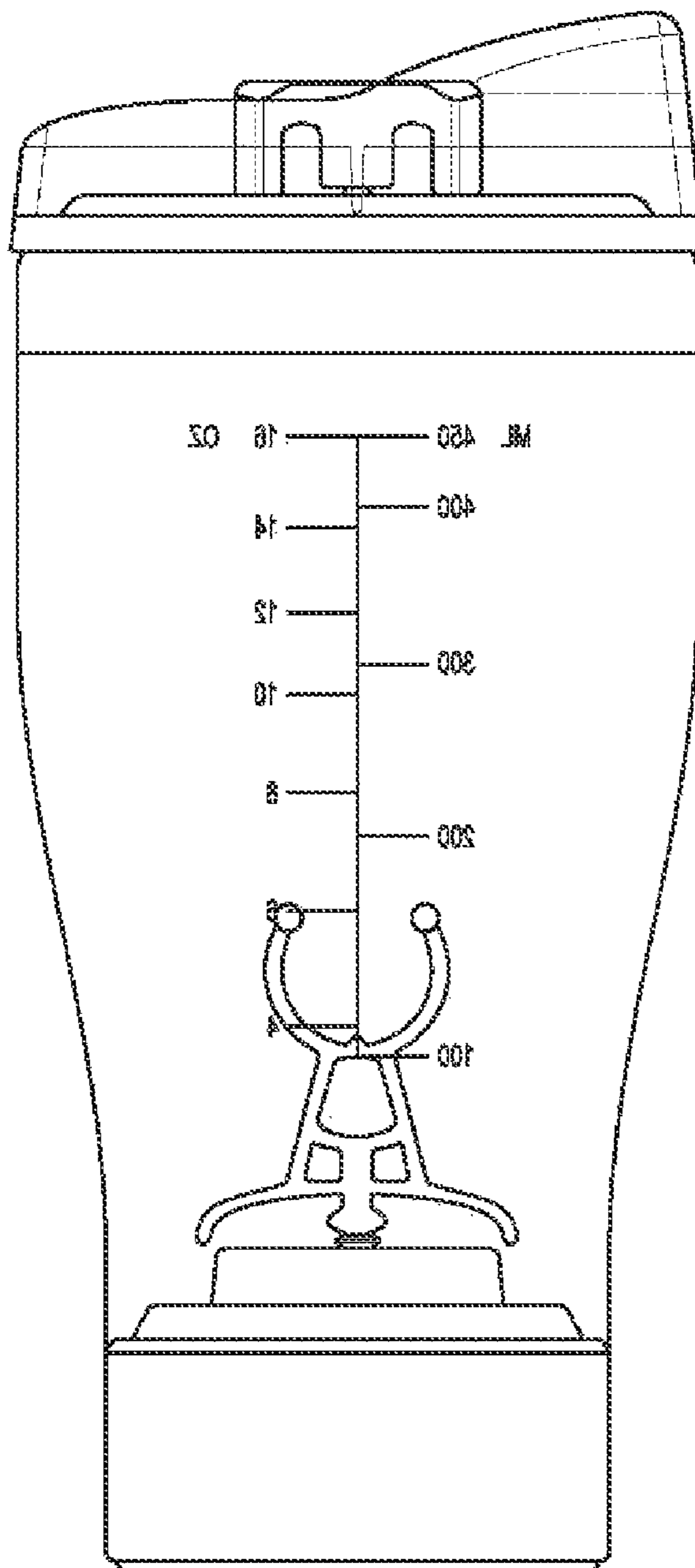


Fig. 8

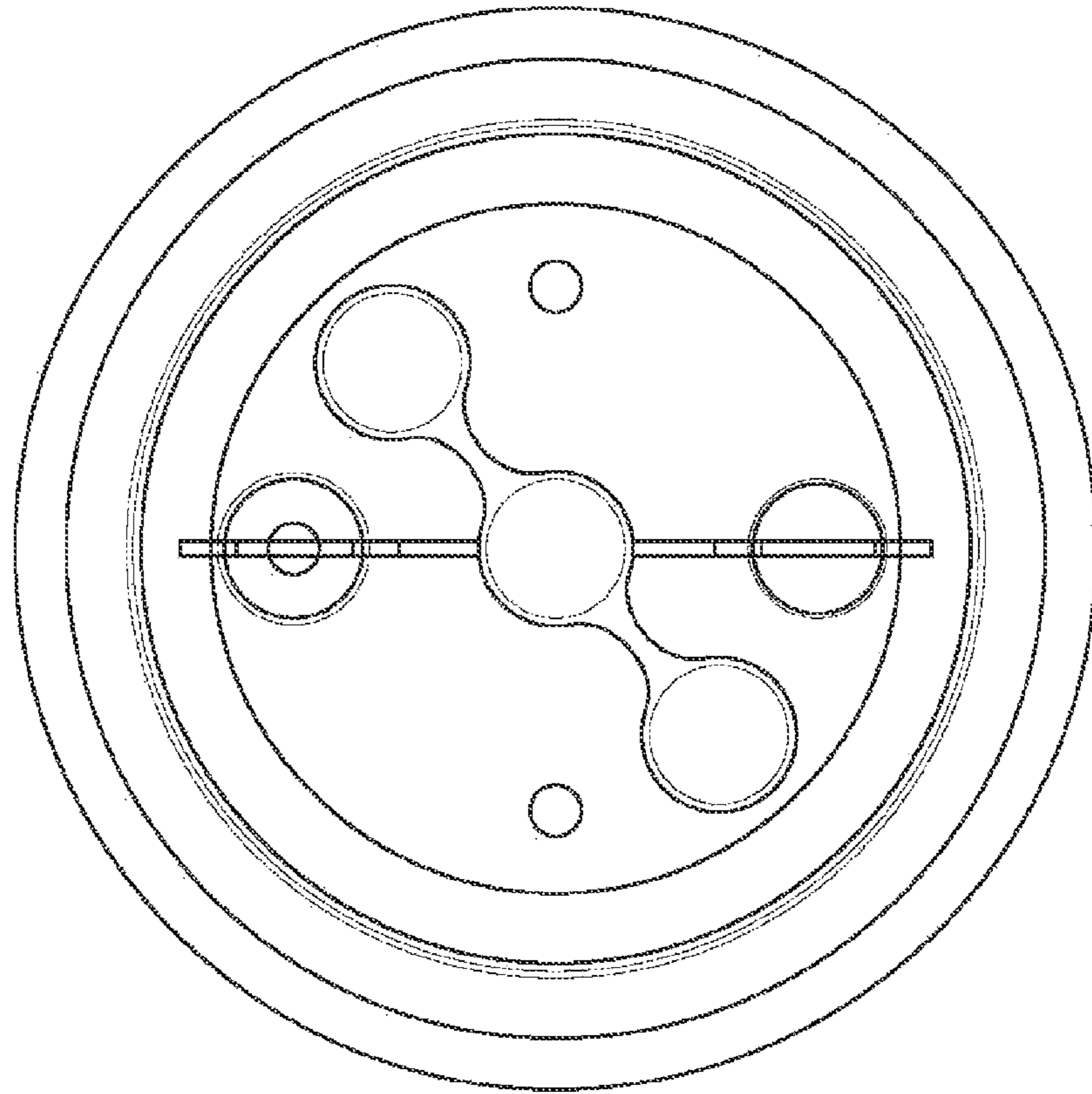


Fig. 9

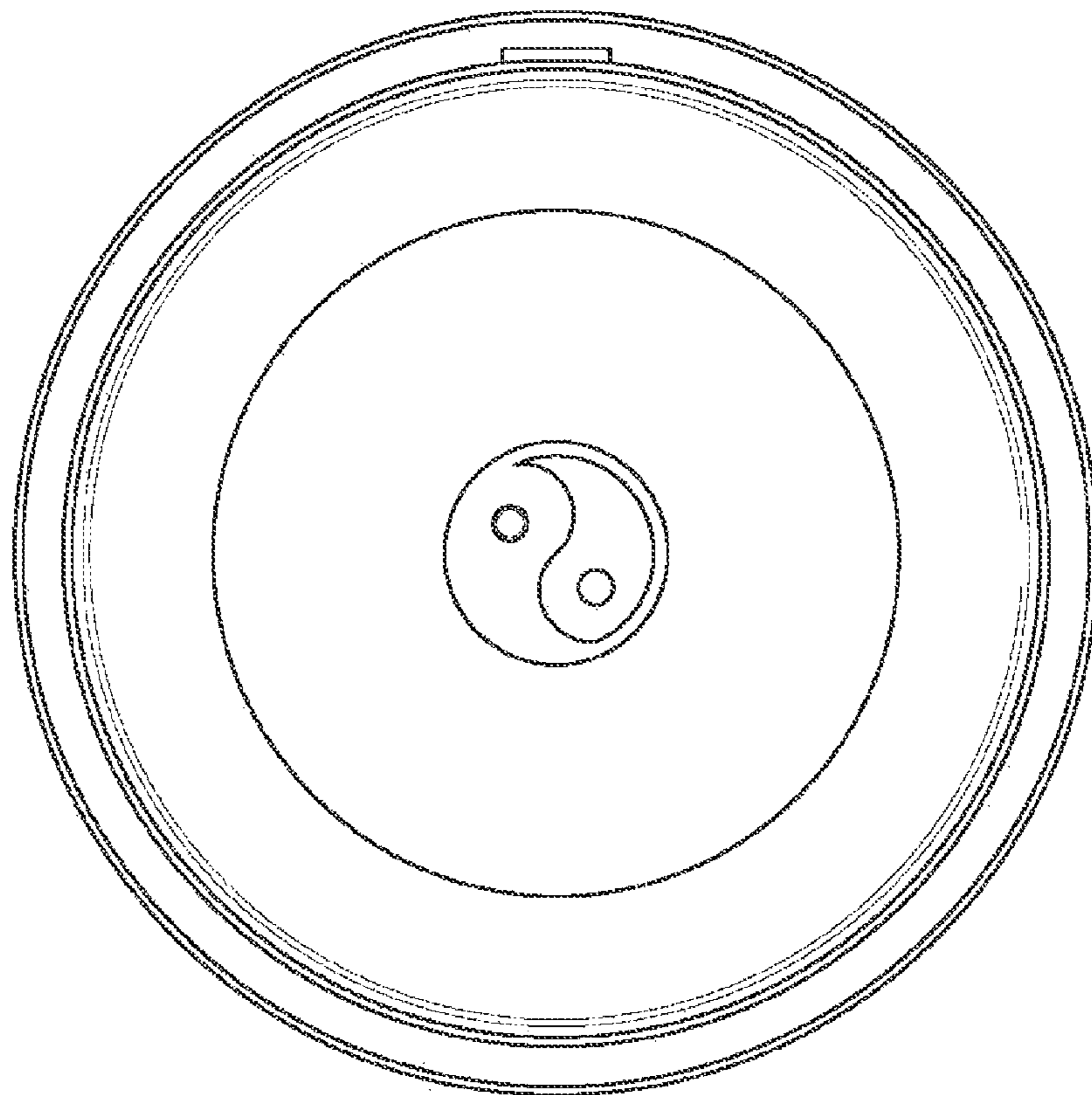


Fig. 10

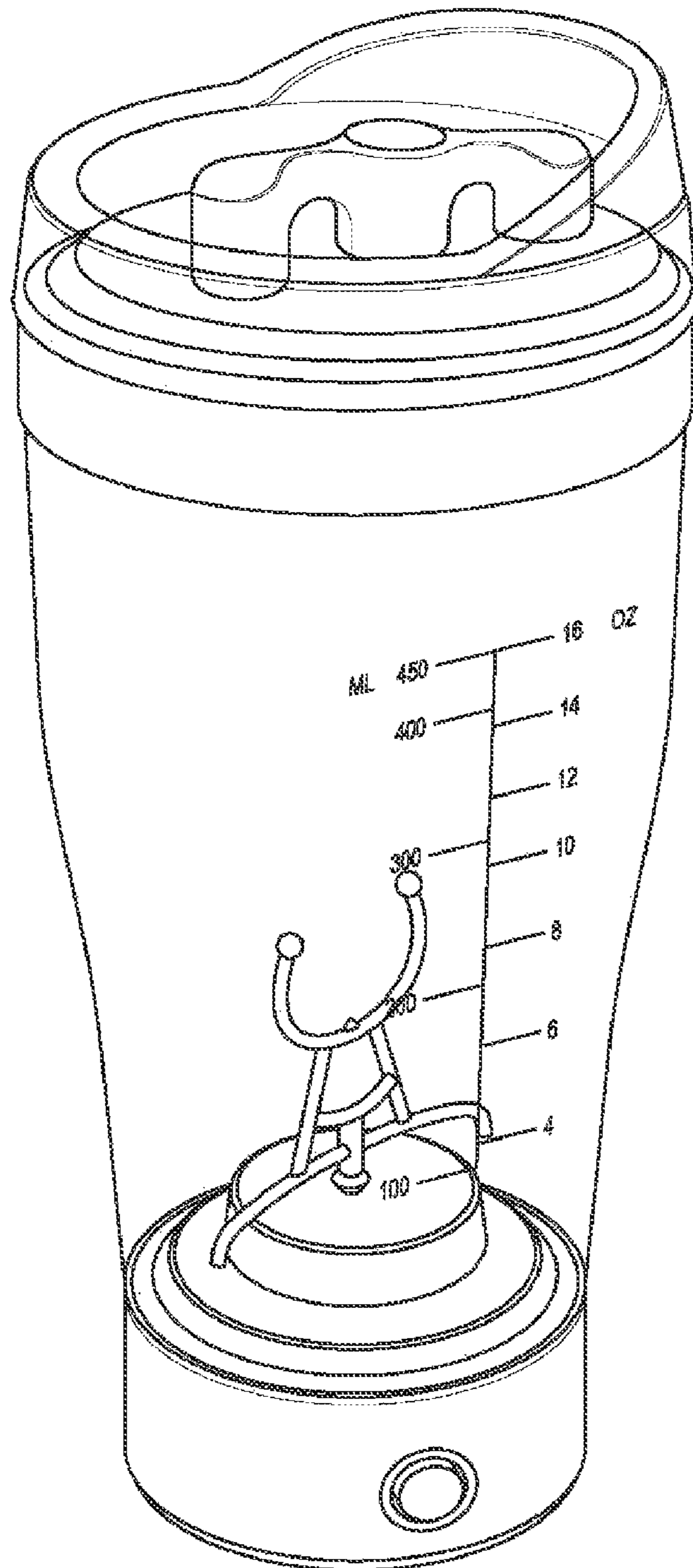


Fig. 11

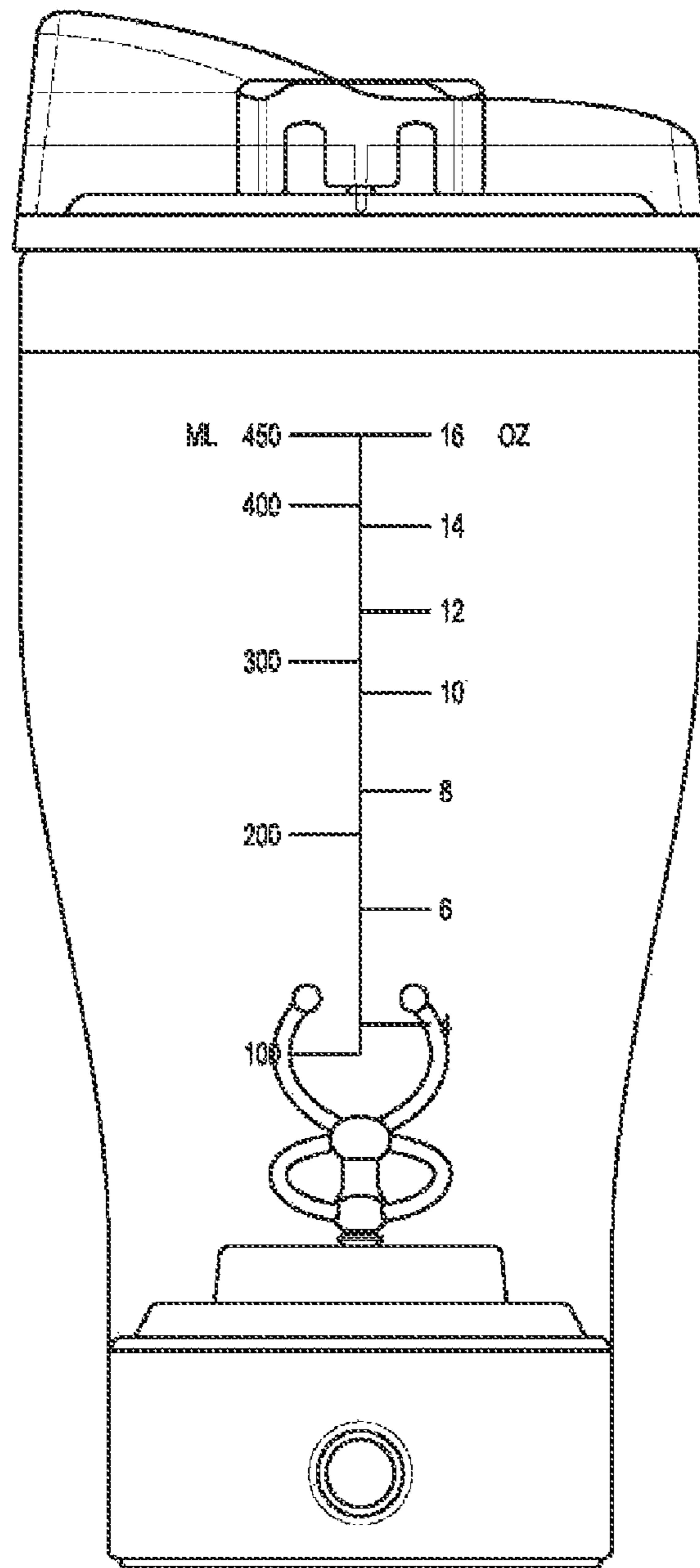


Fig. 12

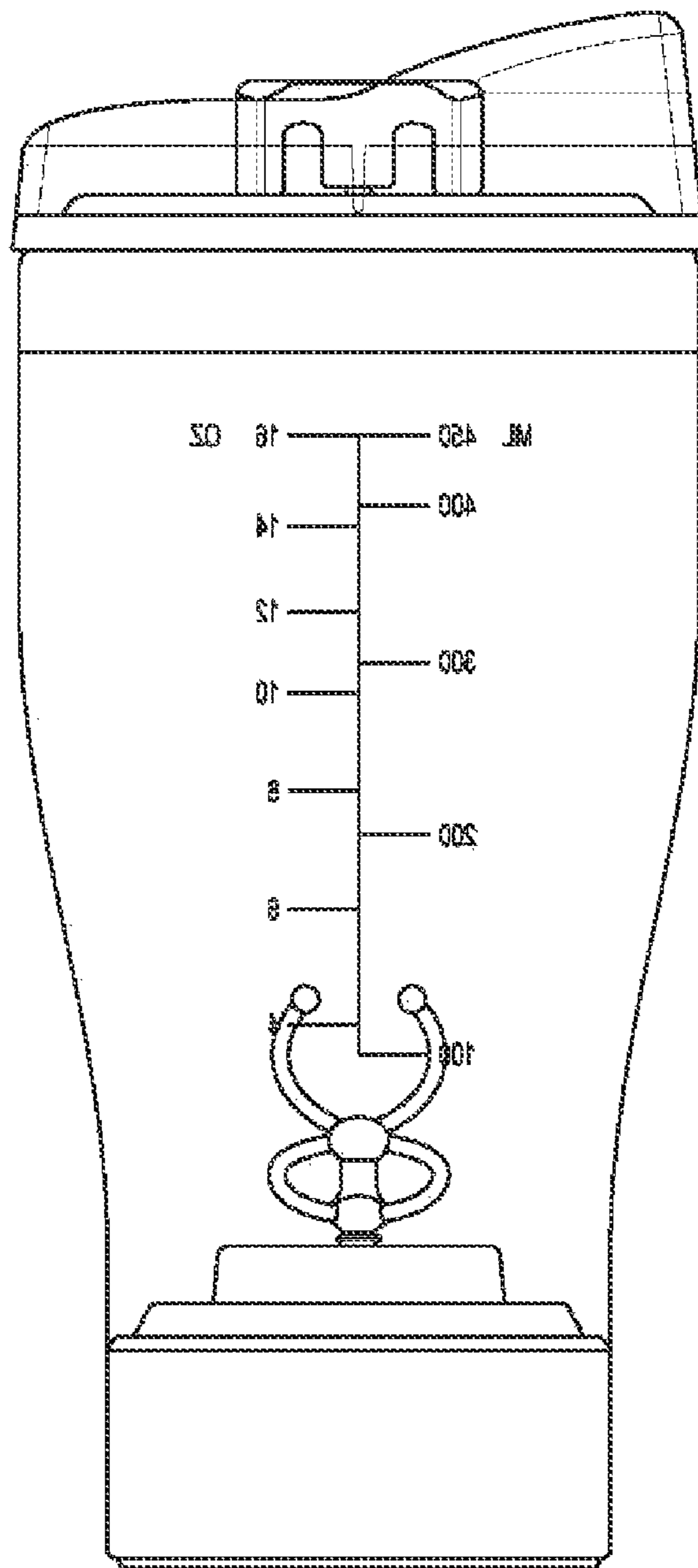


Fig. 13

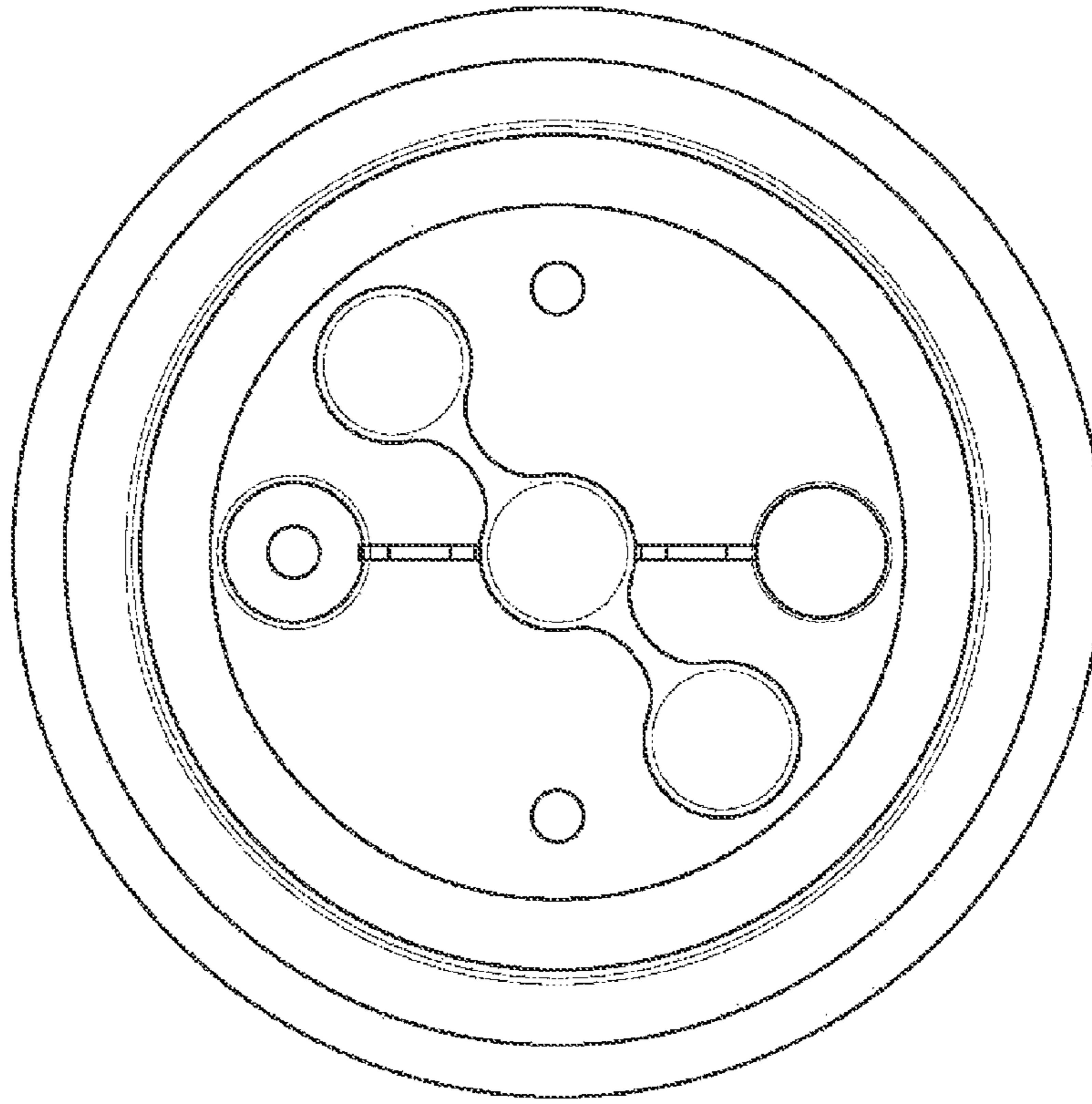


Fig. 14

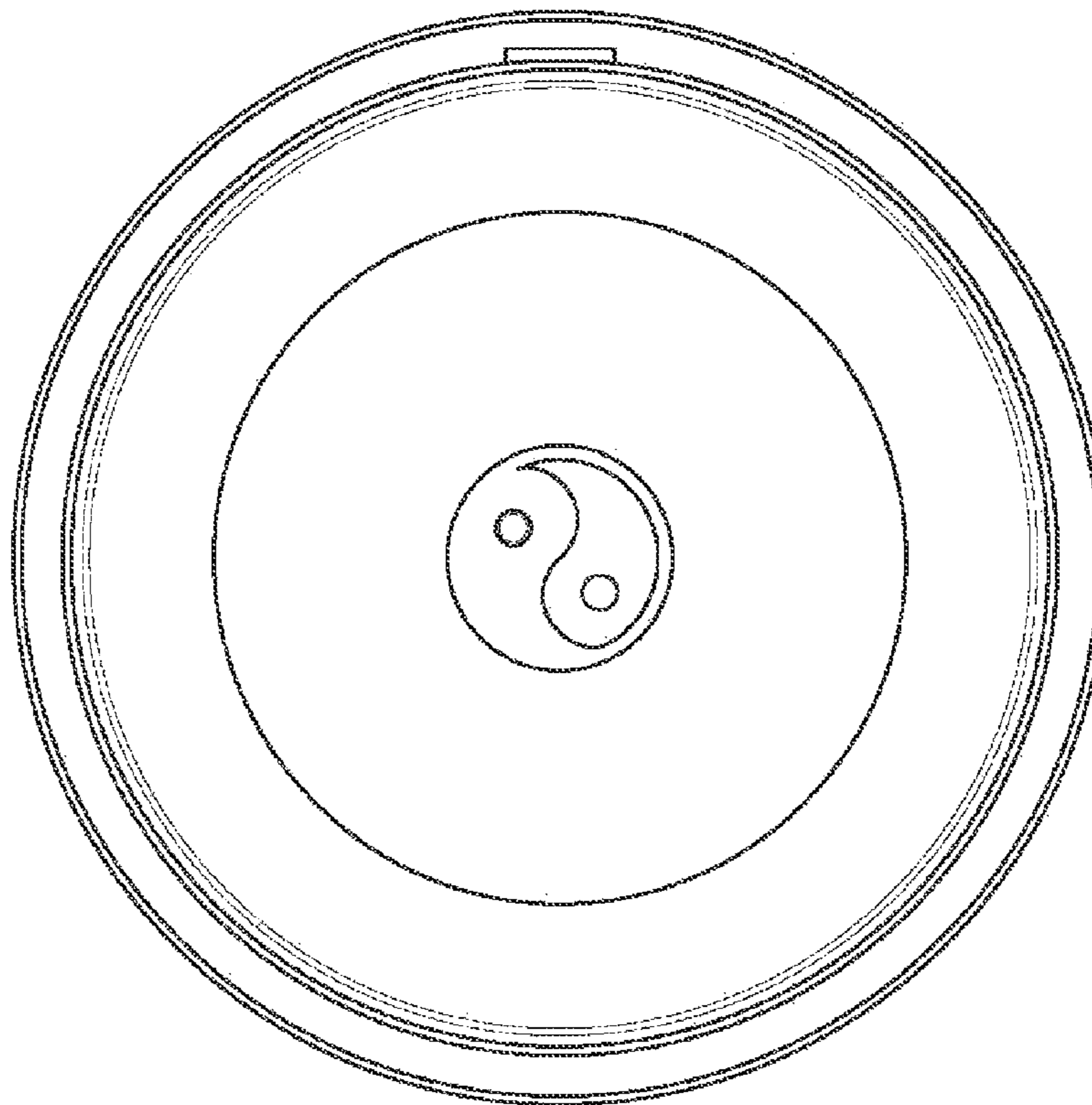


Fig. 15

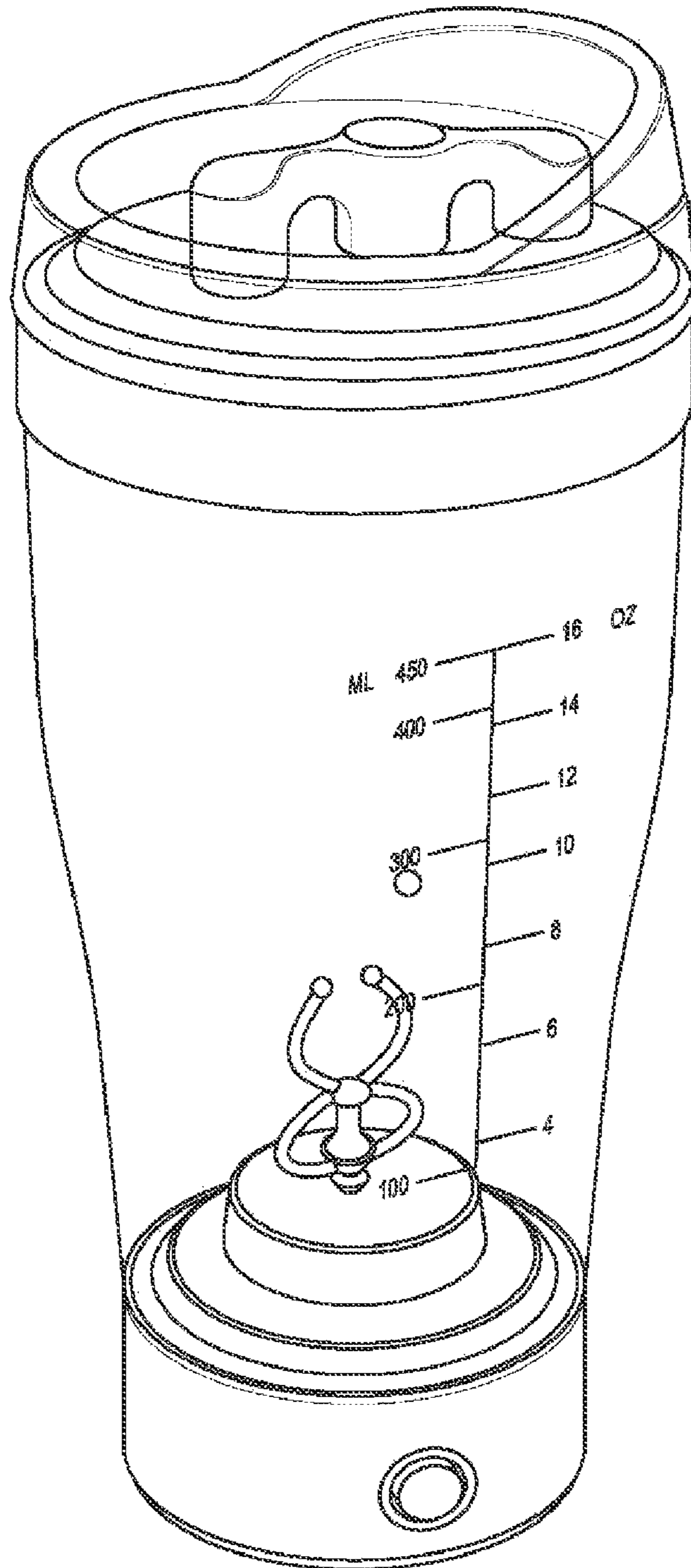


Fig. 16

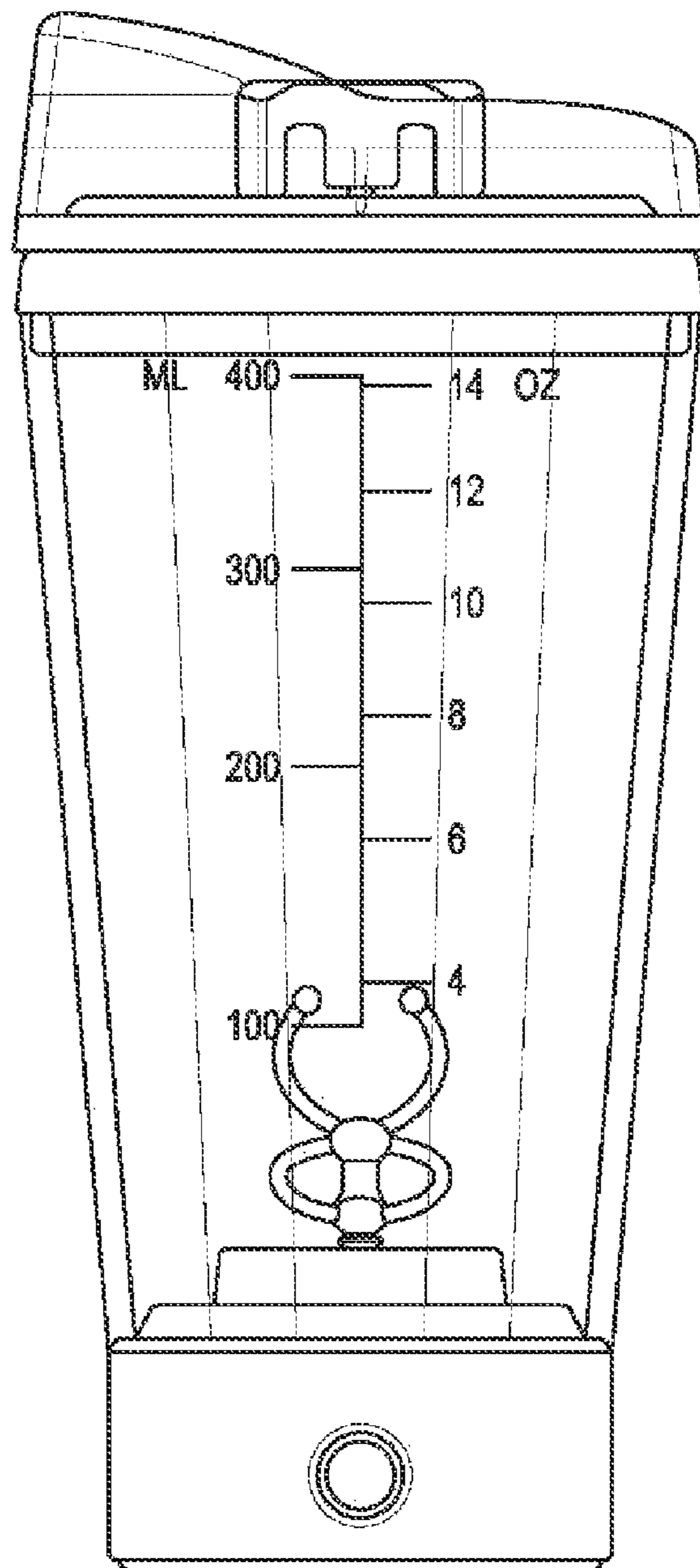


Fig. 17

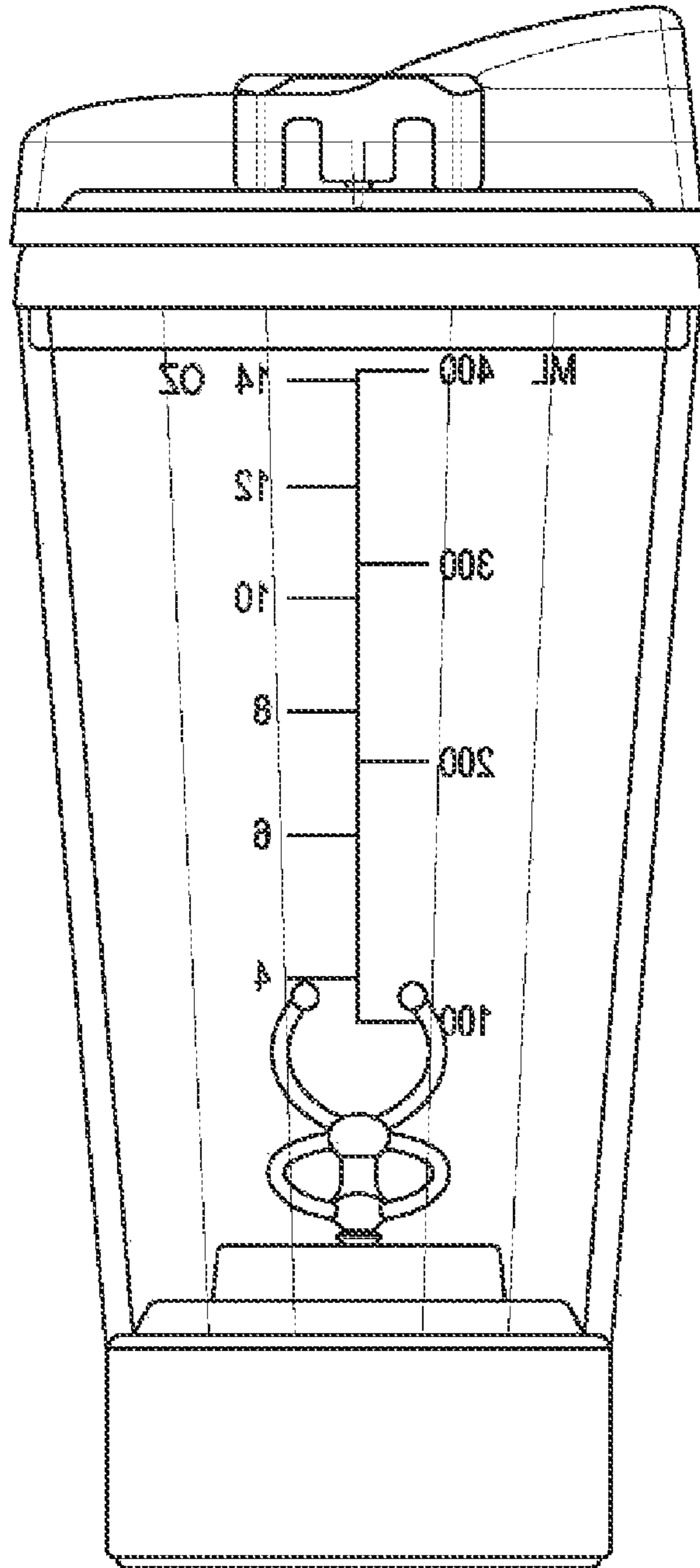


Fig. 18

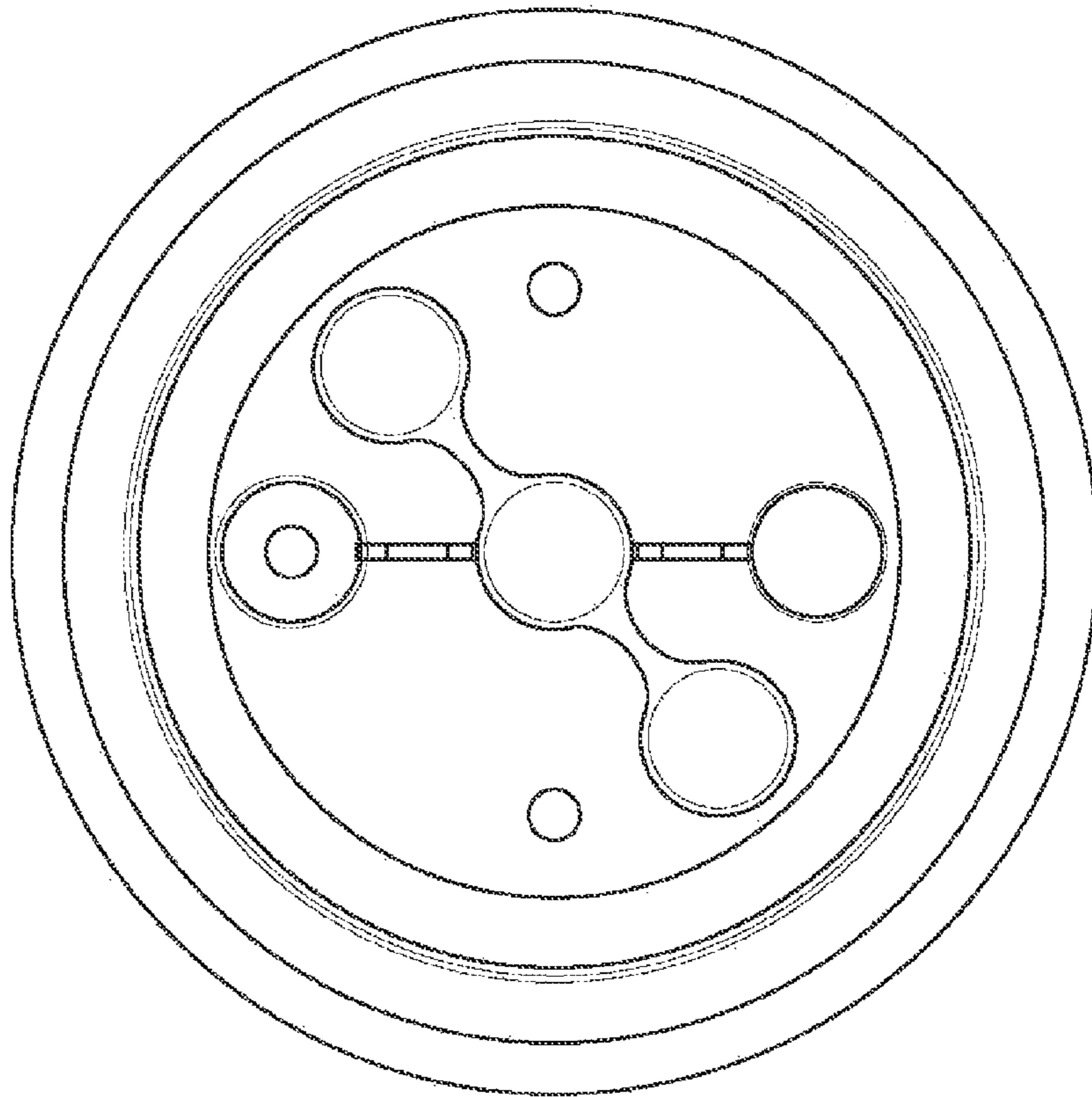


Fig. 19

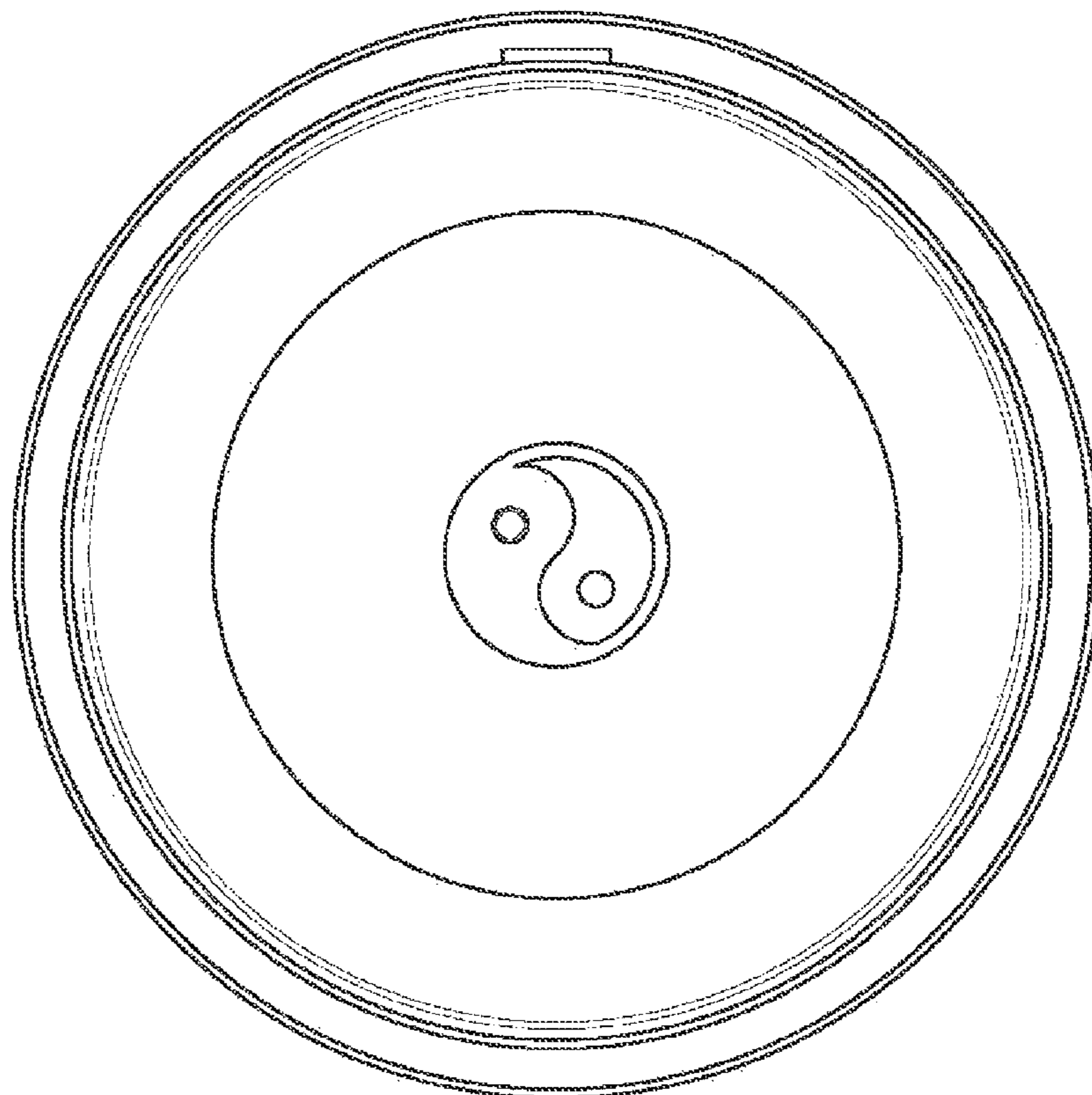


Fig. 20

