

US00D666055S

(12) **United States Design Patent**
O'Neil

(10) **Patent No.:** **US D666,055 S**

(45) **Date of Patent:** **** Aug. 28, 2012**

(54) **DISPOSABLE LINER FOR A CAMPING STOVE**

(76) Inventor: **John D. O'Neil**, Forest Lake, MN (US)

(**) Term: **14 Years**

(21) Appl. No.: **29/398,031**

(22) Filed: **Jul. 26, 2011**

(51) **LOC (9) Cl.** **07-02**

(52) **U.S. Cl.** **D7/407**

(58) **Field of Classification Search** 8/332, 334-337, 8/402-407, 409; 126/25 R, 25 A, 25 AA, 126/29-30, 9 R, 37-38, 41 R, 40-50, 332, 126/39 M, 214 R, 307 R, 334, 276, 268; 99/481, 482; D6/511; 219/461.1, 455.11; 312/100, 236

See application file for complete search history.

(56) **References Cited**

U.S. PATENT DOCUMENTS

D115,946 S *	8/1939	Wiley	D7/407
D203,910 S *	2/1966	Sachnoff et al.	D7/407
D215,384 S *	9/1969	Meschwitzer	D7/407
D250,081 S *	10/1978	Stansberry et al.	D7/407
D252,664 S *	8/1979	Hall	D7/332
D256,657 S *	9/1980	Stansberry et al.	D7/407
4,458,661 A *	7/1984	Mulay	126/39 M

D458,804 S *	6/2002	Reames	D7/409
D462,872 S *	9/2002	Chiang	D7/402
D466,369 S *	12/2002	Alden	D7/409
D512,264 S *	12/2005	May et al.	D7/337
D608,588 S *	1/2010	Womack	D7/407
D611,293 S *	3/2010	Chung	D7/337
D640,497 S *	6/2011	Lorenz et al.	D7/337
D648,597 S *	11/2011	King et al.	D7/407

* cited by examiner

Primary Examiner — Ruth McInroy

(74) *Attorney, Agent, or Firm* — Dave Alan Lingbeck

(57) **CLAIM**

The ornamental design for a disposable liner for a camping stove, as shown and described.

DESCRIPTION

FIG. 1 is a top, front perspective view of a disposable liner for a camping stove showing my new design.

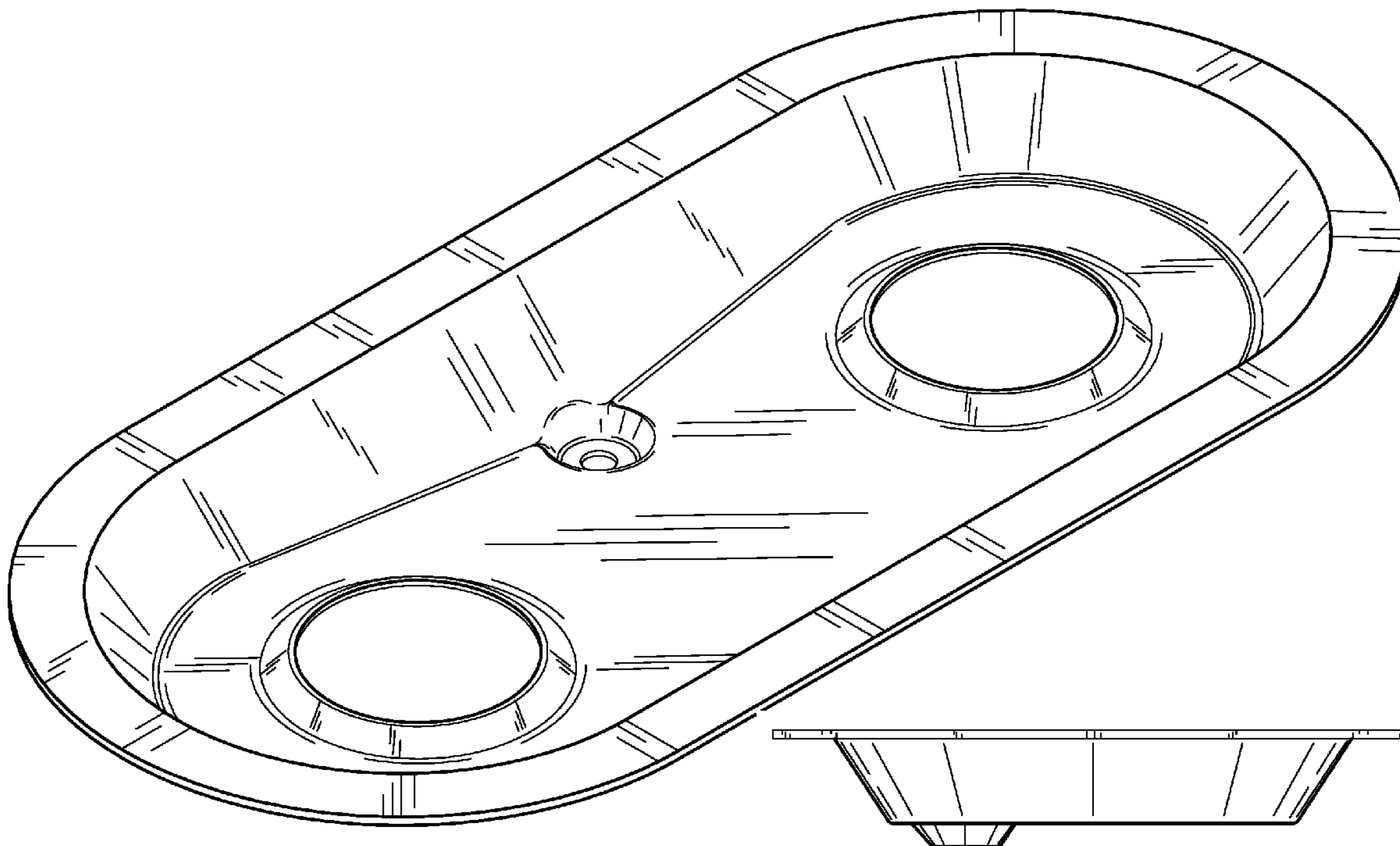
FIG. 2 is a bottom, rear perspective view of the disposable liner for a camping stove.

FIG. 3 is a left end elevational view of the disposable liner for a camping stove.

FIG. 4 is a bottom, right end perspective view of the disposable liner for a camping stove; and,

FIG. 5 is a front elevational view of the disposable liner for a camping stove.

1 Claim, 5 Drawing Sheets



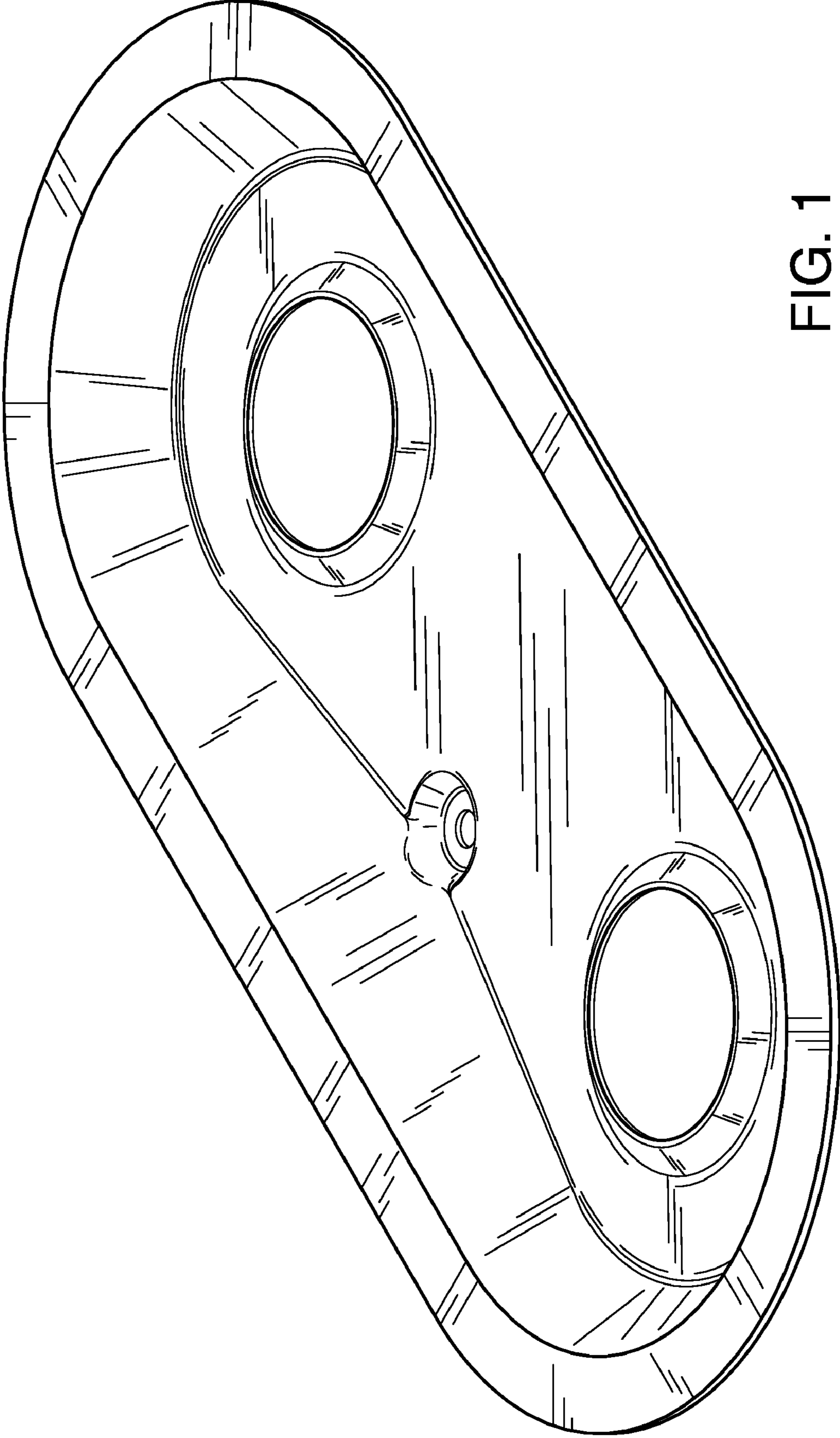


FIG. 1

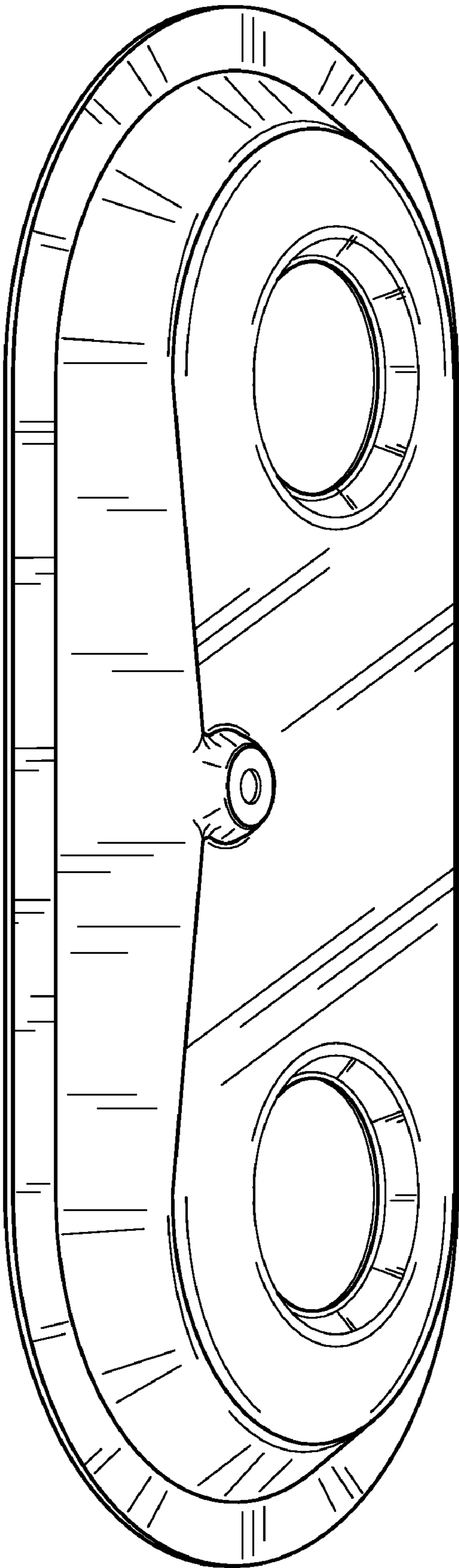


FIG. 2

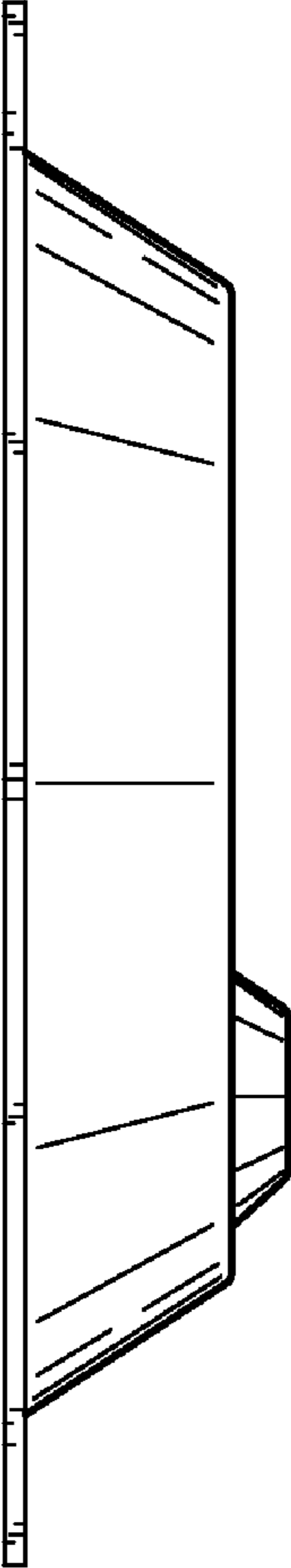


FIG. 3

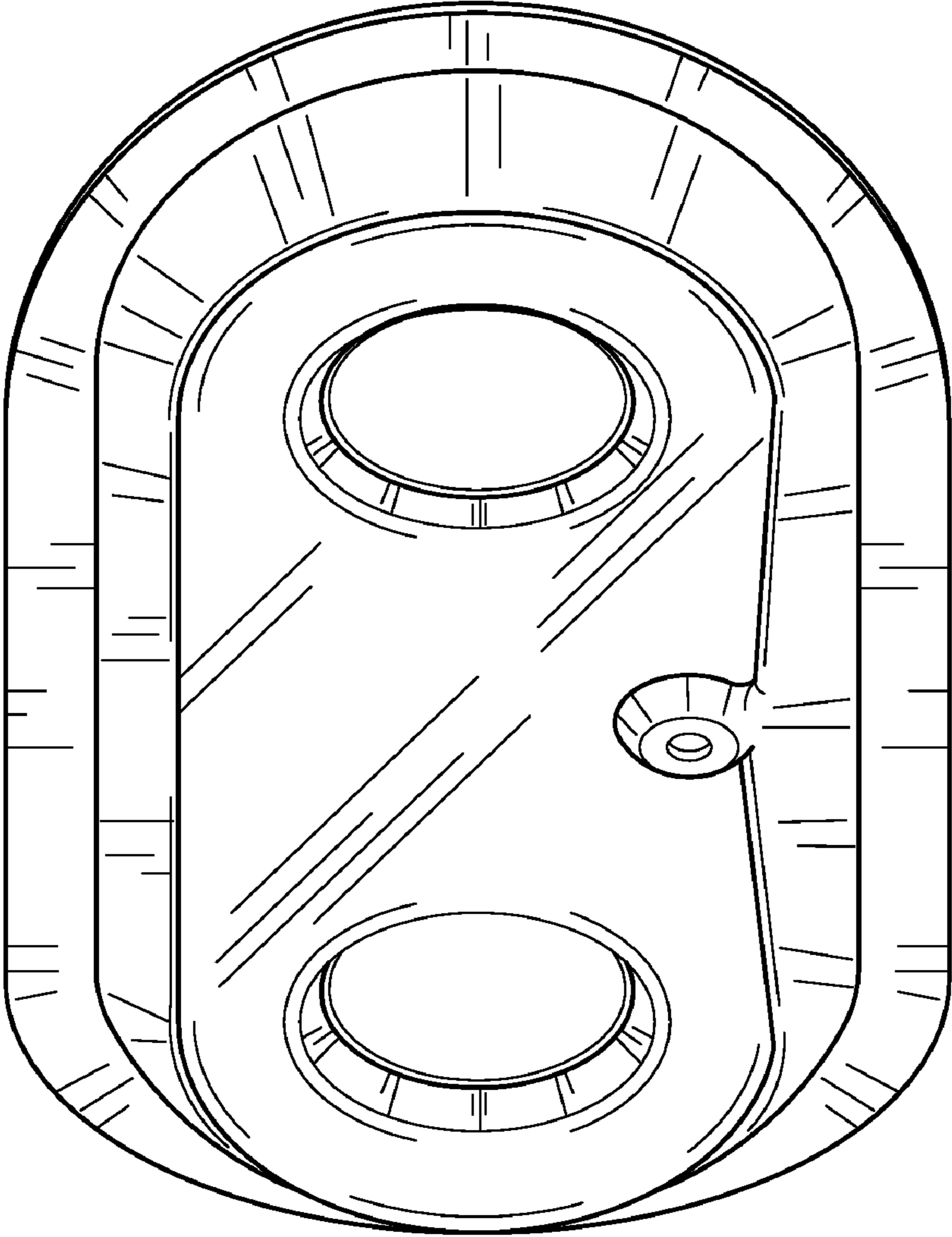


FIG. 4

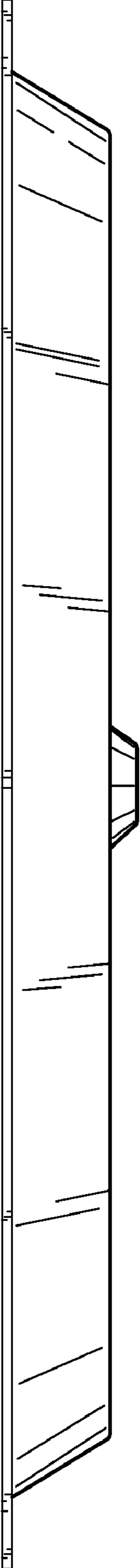


FIG. 5