

US00D666054S

(12) **United States Design Patent**
Segers et al.

(10) **Patent No.:** **US D666,054 S**

(45) **Date of Patent:** **** *Aug. 28, 2012**

(54) **CONTROL PANEL FOR COOKING APPLIANCE**

(75) Inventors: **Hermann-Reinhard Segers**, München (DE); **Sören Strayle**, München (DE)

(73) Assignee: **BSH Bosch und Siemens Hausgeraete GmbH**, Munich (DE)

(*) Notice: This patent is subject to a terminal disclaimer.

(**) Term: **14 Years**

(21) Appl. No.: **29/403,349**

(22) Filed: **Oct. 5, 2011**

Related U.S. Application Data

(62) Division of application No. 29/376,443, filed on Oct. 7, 2010, now Pat. No. Des. 651,458.

(30) **Foreign Application Priority Data**

Apr. 14, 2010 (EM) 001210603
May 27, 2010 (EM) 001220008

(51) **LOC (9) Cl.** **07-02**

(52) **U.S. Cl.** **D7/406**

(58) **Field of Classification Search** D7/339-441, D7/350.1-350.4; 126/19 R, 21 A, 21 R, 126/39 B, 39 C, 239 R, 273 A, 273 R; 219/391-394, 219/756-758; 99/DIG. 14; D32/3, 28
See application file for complete search history.

(56) **References Cited**

U.S. PATENT DOCUMENTS

D172,208 S * 5/1954 Armstrong D7/340
D175,184 S * 7/1955 Nelson D7/405

D277,448 S * 2/1985 Vetter et al. D7/346
D277,449 S * 2/1985 Vetter et al. D7/346
D369,514 S * 5/1996 Baldwin D7/406
D397,909 S * 9/1998 Ashcraft et al. D7/405
D470,720 S * 2/2003 Jones et al. D7/405
D513,463 S * 1/2006 Wong et al. D7/406
D516,862 S * 3/2006 Grutzke et al. D7/405
D540,499 S * 4/2007 Crookshanks D32/28
D547,609 S * 7/2007 Chung D7/406
D564,837 S * 3/2008 Green et al. D7/406
D610,404 S * 2/2010 Baacke et al. D7/406
D612,685 S * 3/2010 Baker et al. D7/405
D618,488 S * 6/2010 Knochner D7/350.1
D628,438 S * 12/2010 Knochner D7/405
D630,472 S * 1/2011 Baacke et al. D7/406
D633,336 S * 3/2011 Sadtler D7/405
D645,702 S * 9/2011 Baacke et al. D7/405
D645,703 S * 9/2011 Sadtler D7/405

* cited by examiner

Primary Examiner — T. Chase Nelson

Assistant Examiner — Mark Cavanna

(74) *Attorney, Agent, or Firm* — James E. Howard; Andre Pallapies

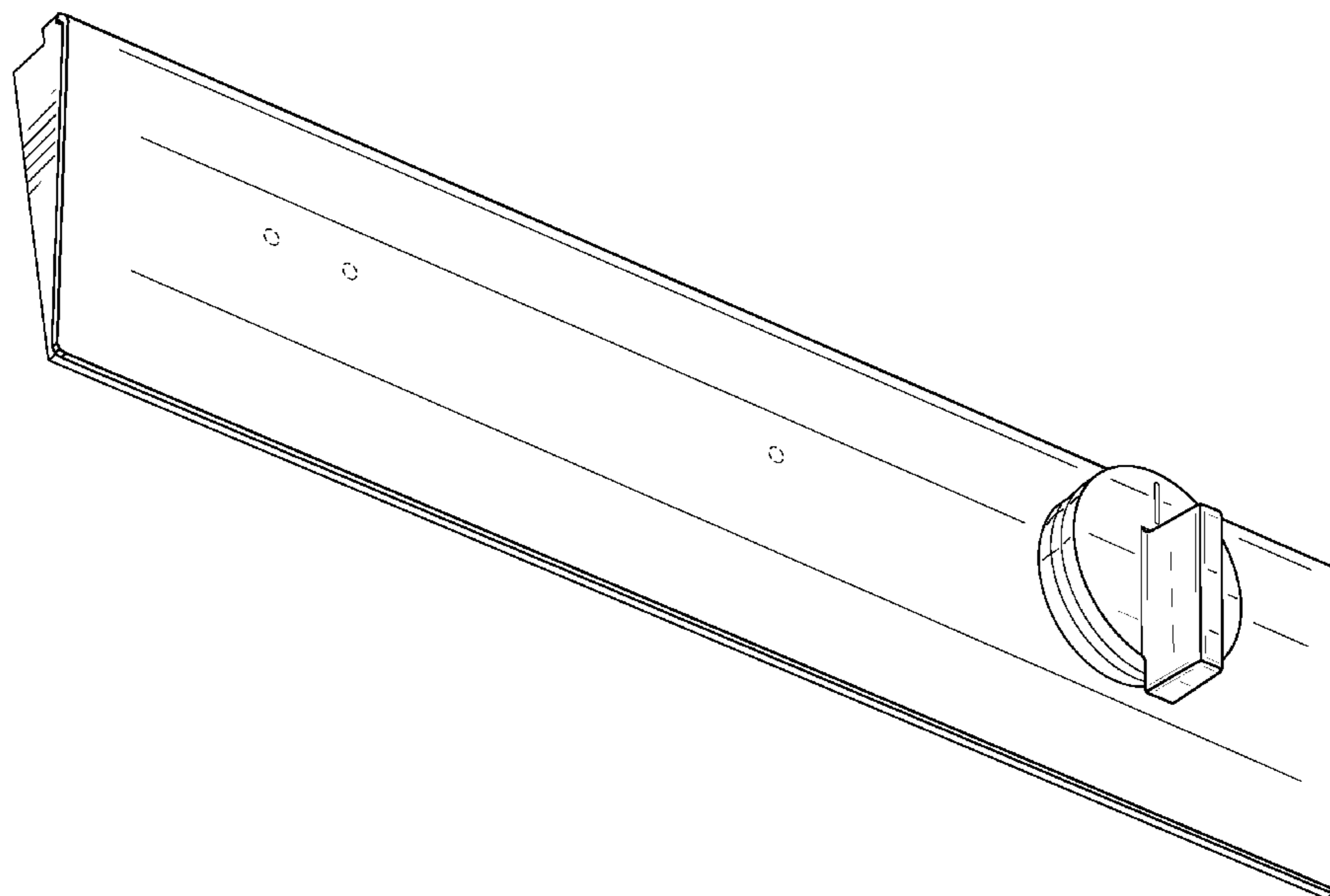
(57) **CLAIM**

The ornamental design for a control panel for cooking appliance, as shown and described.

DESCRIPTION

FIG. 1 is a perspective view of a control panel for cooking appliance showing my new design; and, FIG. 2 is a right side view thereof with the left side view thereof being a mirror image thereof. The broken lines represent portions of the control panel for cooking appliance that do not form any part of the claimed design.

1 Claim, 1 Drawing Sheet



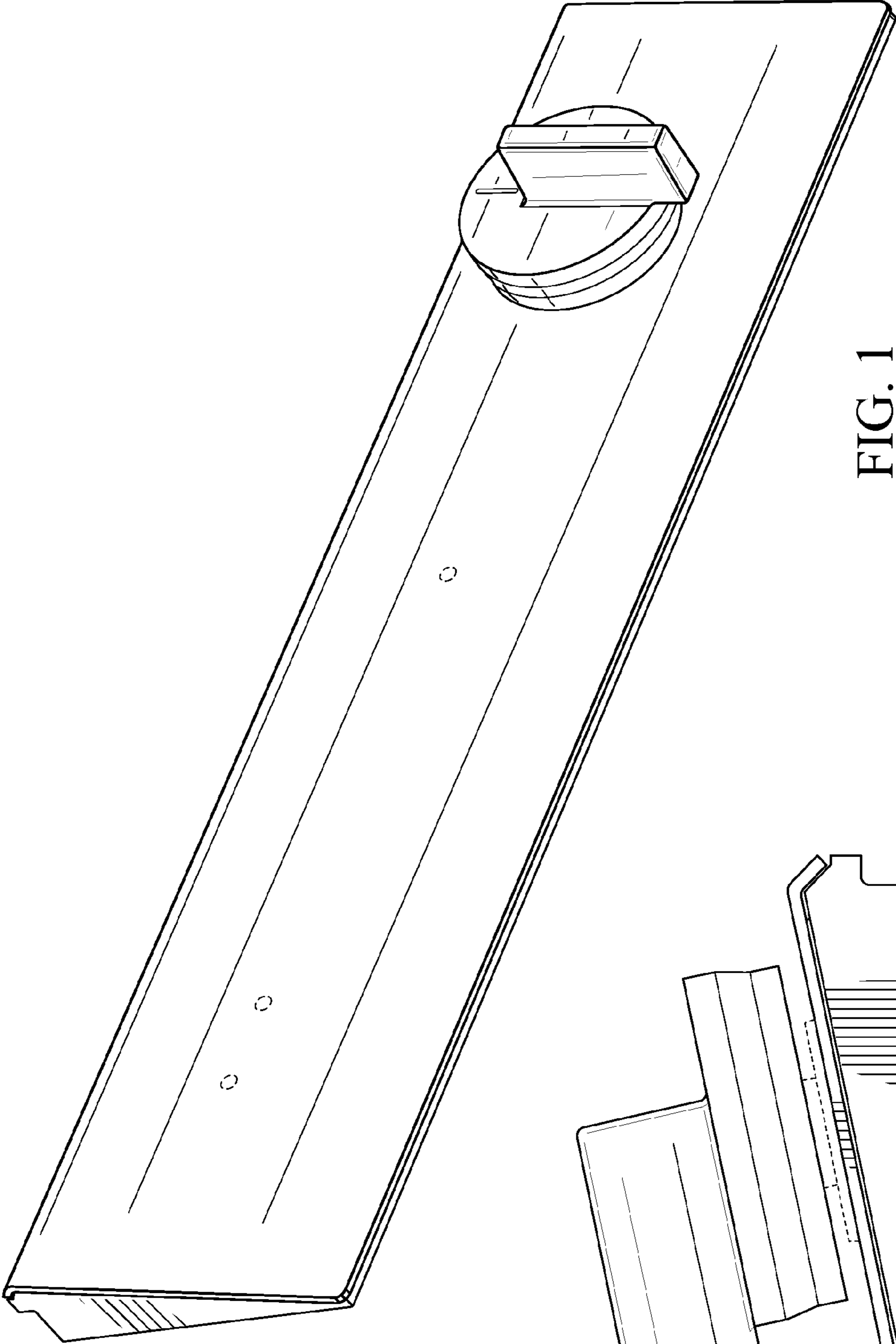


FIG. 1

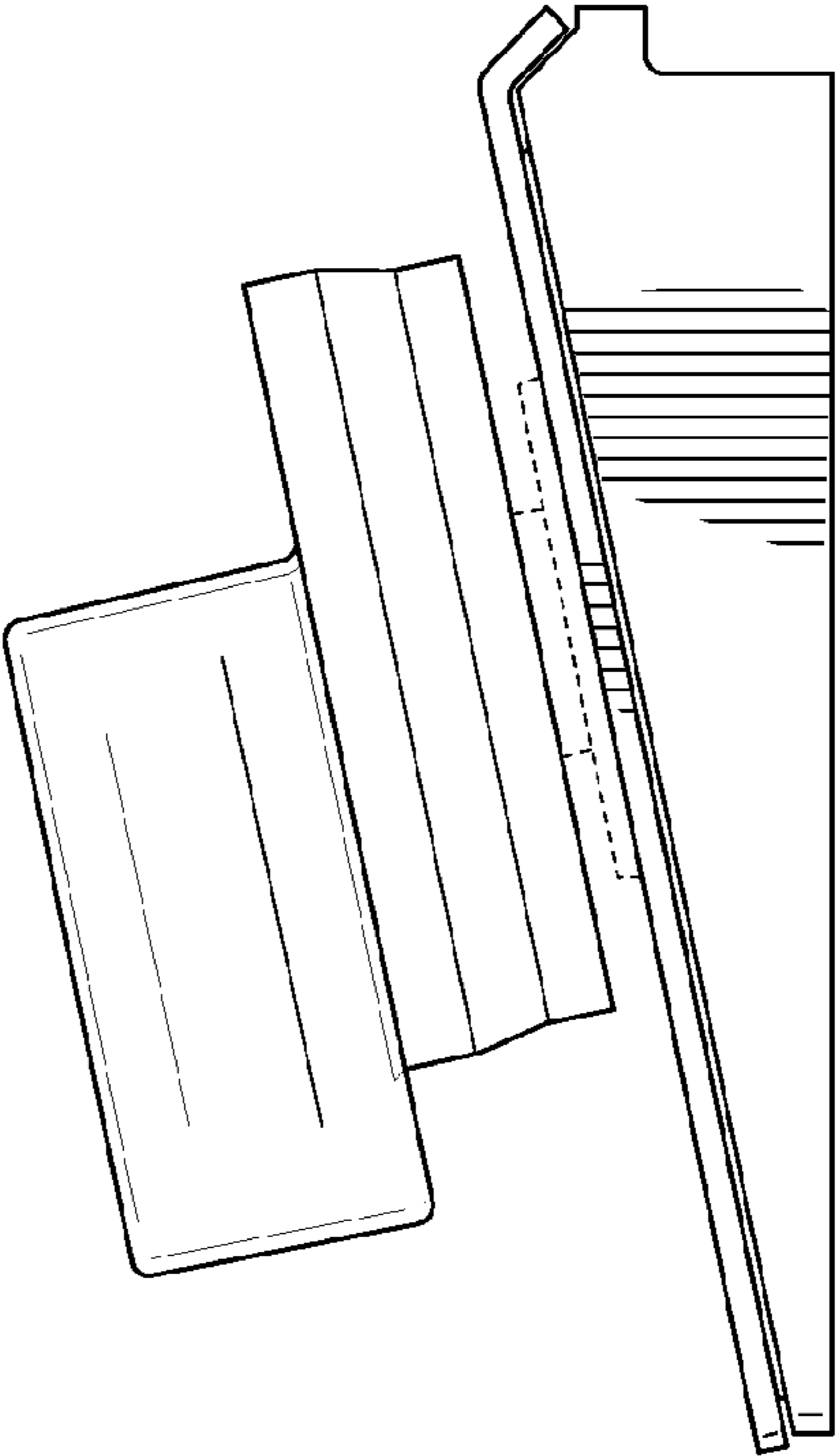


FIG. 2