



US00D666053S

(12) **United States Design Patent**
Cheng et al.

(10) **Patent No.:** **US D666,053 S**

(45) **Date of Patent:** **** *Aug. 28, 2012**

(54) **COOKWARE ELONGATED SIDE HANDLE
HAVING A VISIBLY CONTRASTING
MEDALLION**

(75) Inventors: **Stanley Kin Sui Cheng**, Hillsborough,
CA (US); **Robert A. Rae**, Las Vegas, NV
(US)

(73) Assignee: **Meyer Intellectual Properties Limited**
(VG)

(*) Notice: This patent is subject to a terminal dis-
claimer.

(**) Term: **14 Years**

(21) Appl. No.: **29/402,086**

(22) Filed: **Sep. 20, 2011**

Related U.S. Application Data

(63) Continuation-in-part of application No. 29/372,419,
filed on Nov. 16, 2010, now Pat. No. Des. 653,078.

(51) **LOC (9) Cl.** **07-02**

(52) **U.S. Cl.** **D7/395**

(58) **Field of Classification Search** D7/354–361,
D7/393–395, 401.2, 664; D8/107, 300, 303,
D8/307, 313, 321; D4/138, 129; 16/421,
16/430, 431, 110.1, 407; 220/573.1–573.5,
220/752, 753, 755, 756, 759, 767, 771, 912

See application file for complete search history.

(56) **References Cited**

U.S. PATENT DOCUMENTS

D420,888 S *	2/2000	Yu	D8/107
D503,585 S *	4/2005	Tetreault et al.	D7/395
D565,347 S *	4/2008	Rae	D7/395
D569,682 S *	5/2008	Prakasa	D7/393
D630,057 S *	1/2011	Rae	D7/395
D630,889 S *	1/2011	Rae	D7/395
D653,078 S *	1/2012	Cheng et al.	D7/395

* cited by examiner

Primary Examiner — Cynthia M Chin

(74) *Attorney, Agent, or Firm* — Edward S. Sherman

(57) **CLAIM**

The ornamental design for a cookware elongated side handle
having a visibly contrasting medallion, as shown and
described.

DESCRIPTION

FIG. 1 is a perspective view of the “cookware elongated side
handle having a visibly contrasting medallion”, showing my
new design;

FIG. 2 is a right side elevation view thereof; the left side
elevation view being a mirror image thereof;

FIG. 3 is a top plan view thereof;

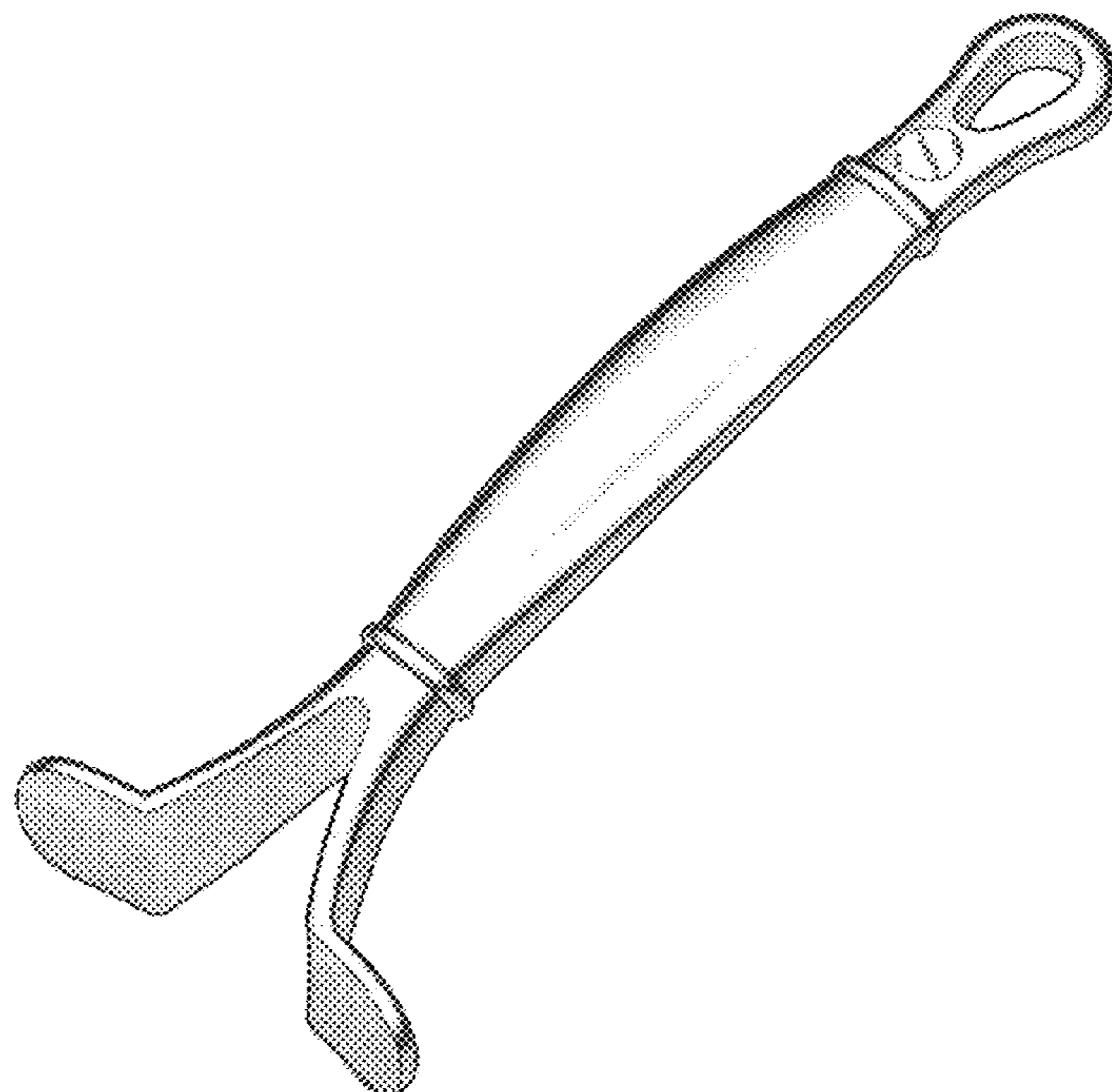
FIG. 4 is a bottom plan view thereof;

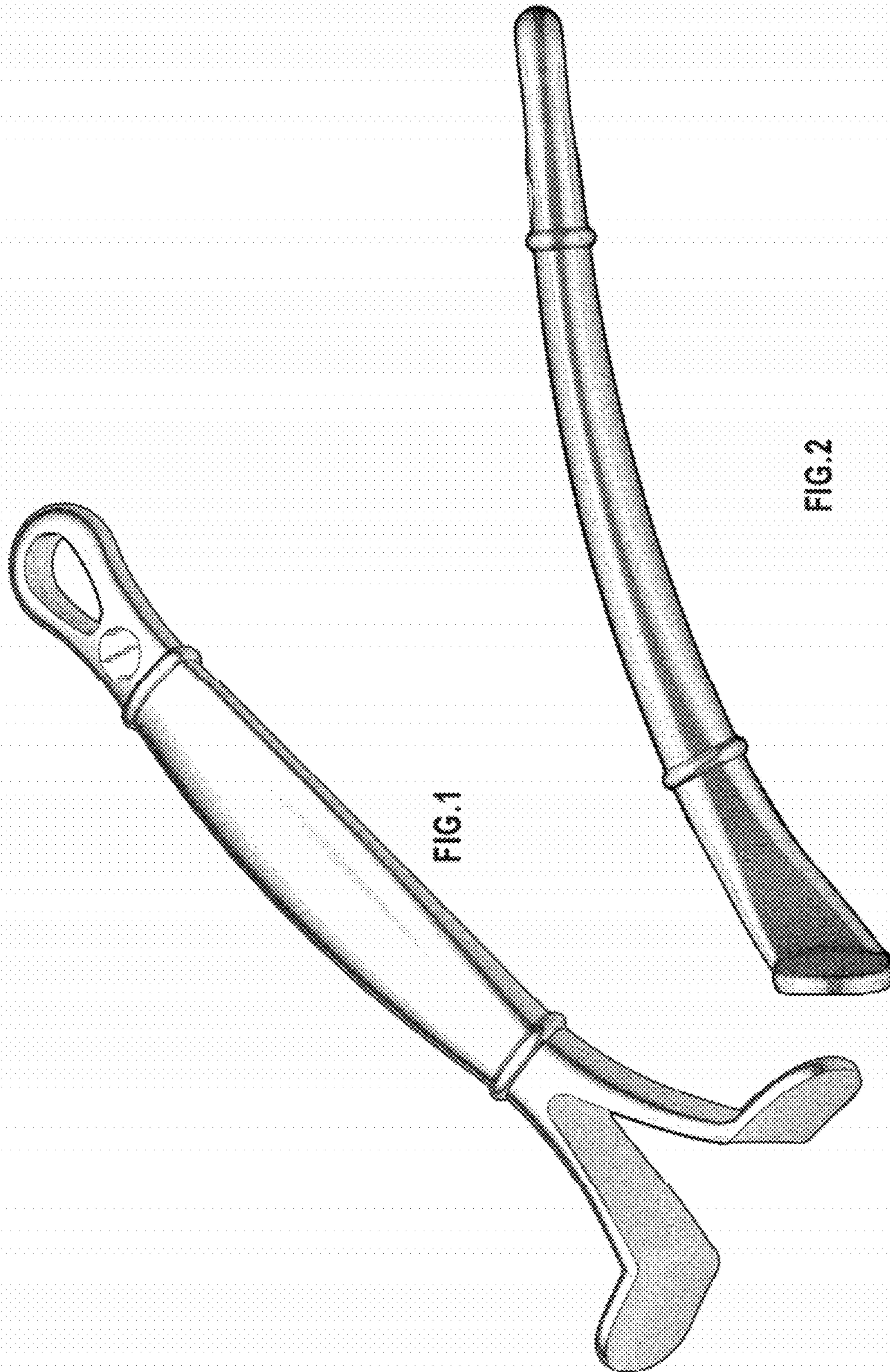
FIG. 5 is a front elevation view thereof; and,

FIG. 6 is a rear elevation thereof.

The handle has an embedded metallic portion that contrasts
the surrounding material that forms the greater part of the
handle.

1 Claim, 3 Drawing Sheets





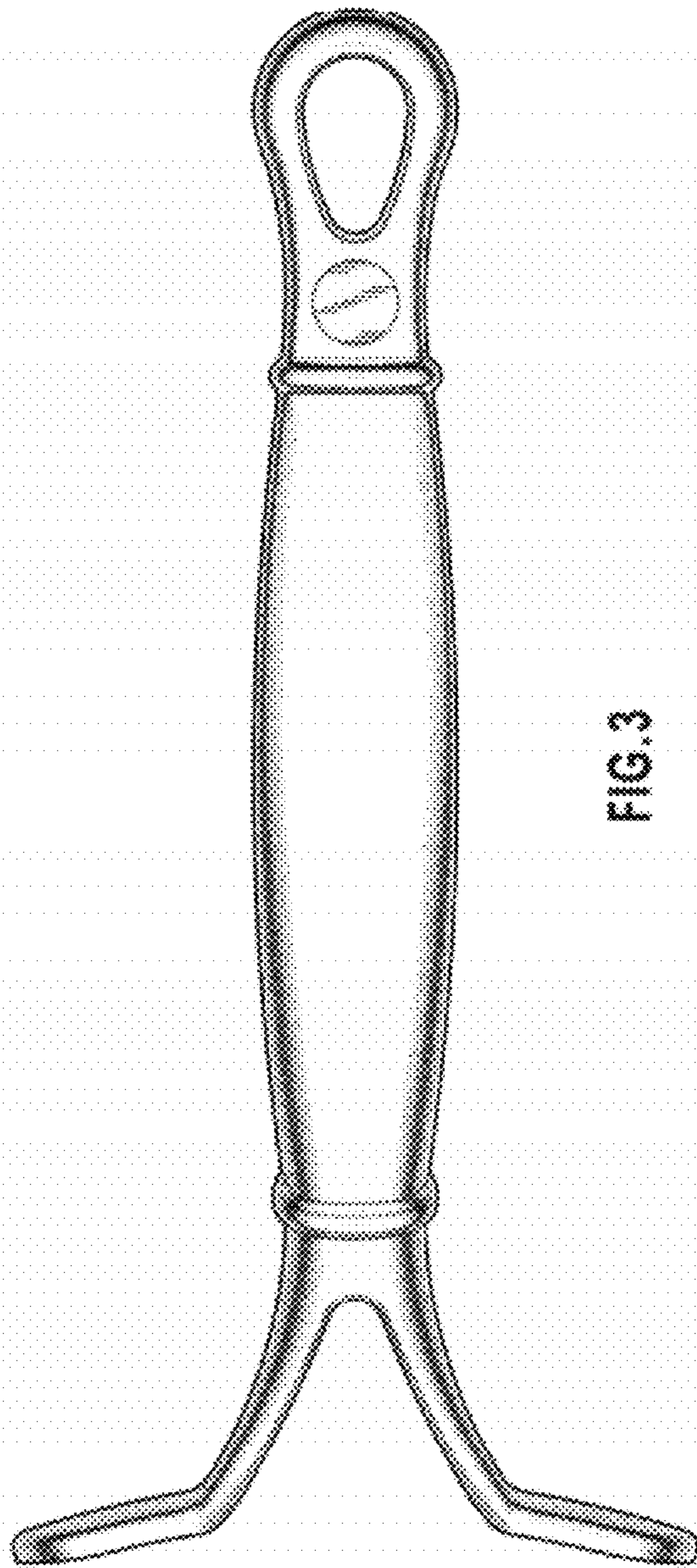


FIG. 3

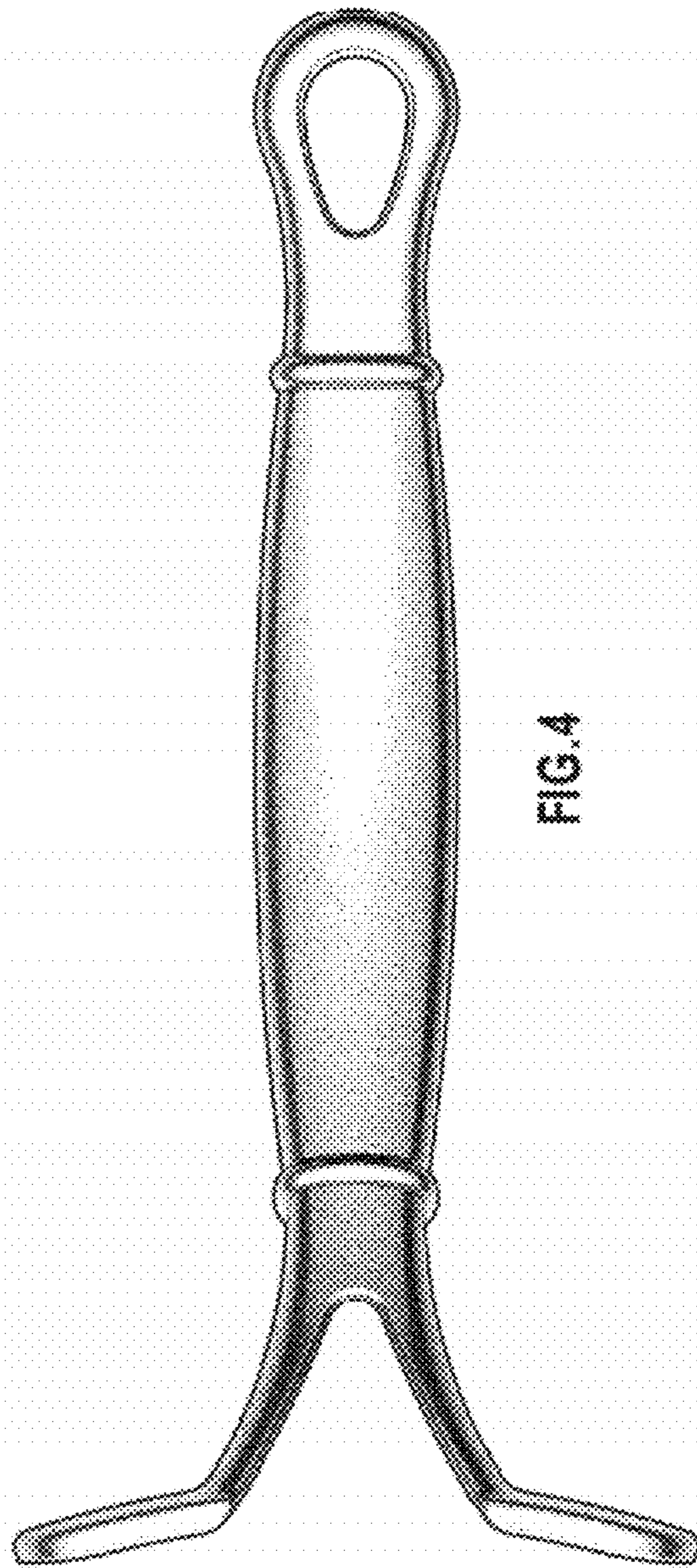


FIG. 4

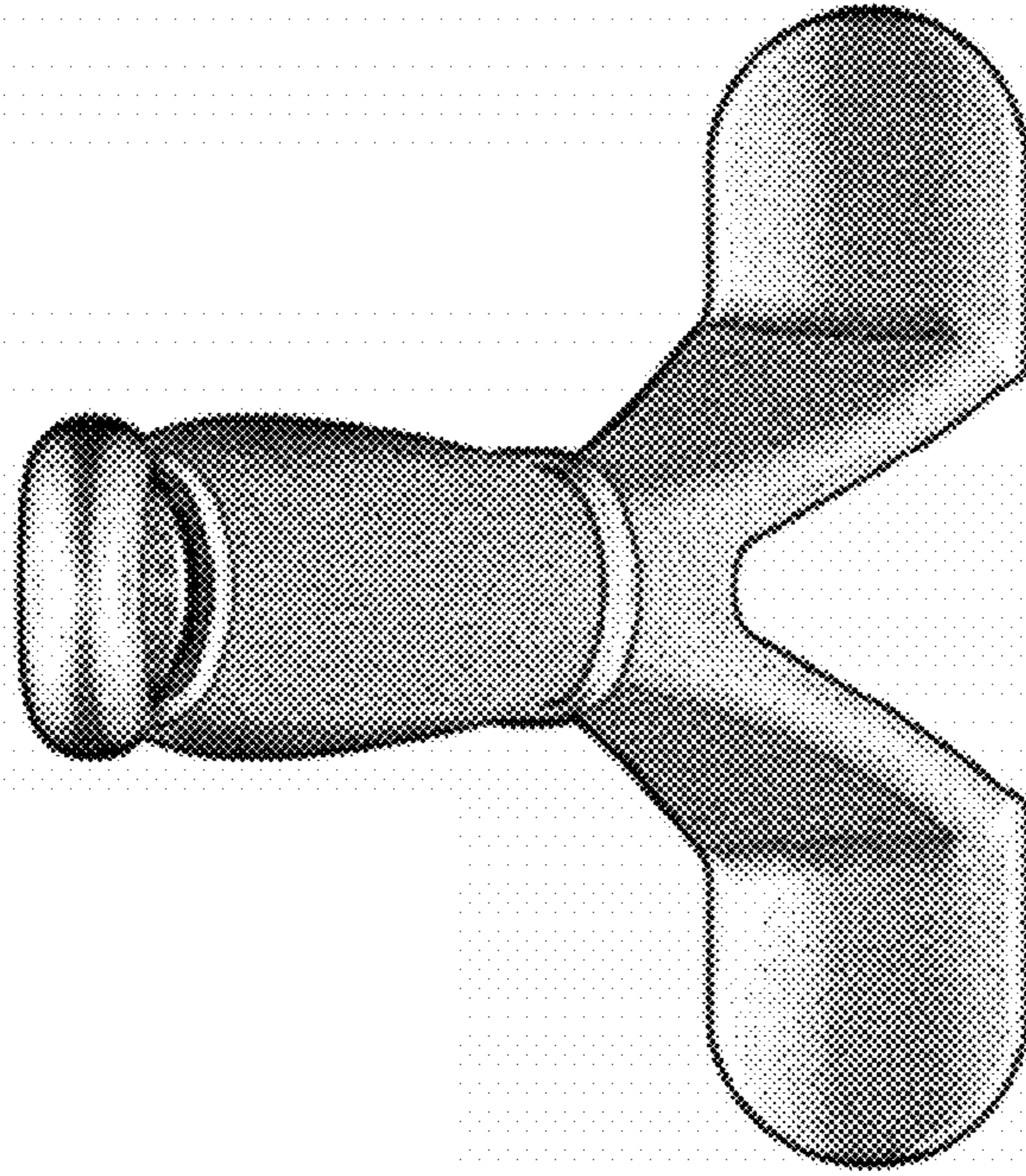


FIG. 6

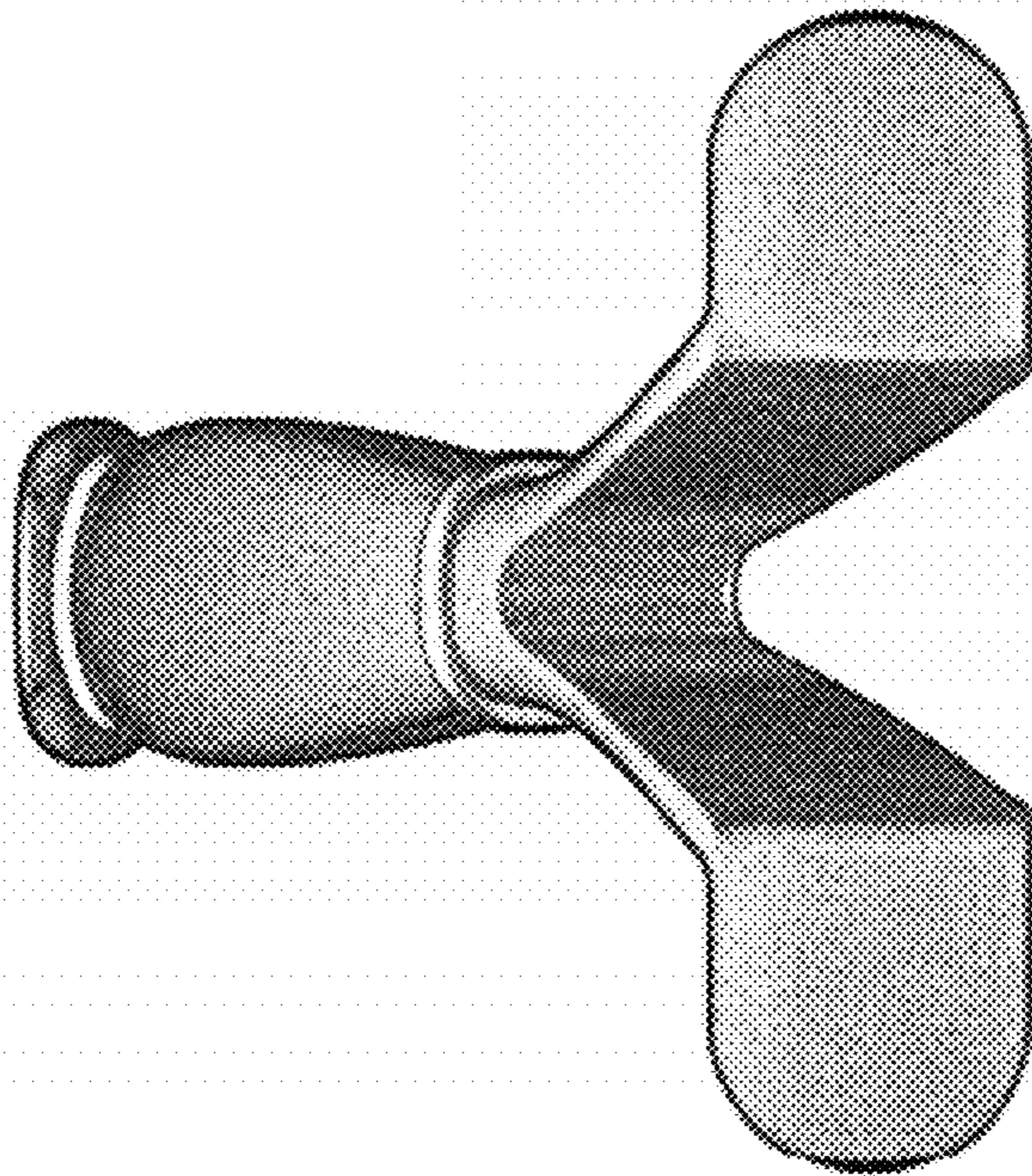


FIG. 5