

US00D666052S

(12) **United States Design Patent**
Trombly

(10) **Patent No.:** **US D666,052 S**
(45) **Date of Patent:** **** Aug. 28, 2012**

- (54) **LID**
- (75) Inventor: **Edgar Trombly**, Pointe Farms, MI (US)
- (73) Assignee: **Punch Products USA, Inc.**, Rahway, NJ (US)
- (**) Term: **14 Years**
- (21) Appl. No.: **29/380,287**
- (22) Filed: **Dec. 2, 2010**
- (51) **LOC (9) Cl.** **07-02**
- (52) **U.S. Cl.** **D7/392.1**
- (58) **Field of Classification Search** D7/316, D7/317, 391, 392, 392.1, 396.2, 509, 510, D7/511, 629; D9/434, 435, 440, 444, 445, D9/447, 449-450, 454, 503-504; 215/211, 215/200, 224, 228, 243; 220/254.3, 254.7, 220/254.9, 269, 270, 271, 700, 701, 703, 220/711, 713-715, 719
See application file for complete search history.

(56) **References Cited**

U.S. PATENT DOCUMENTS

- D416,755 S * 11/1999 Trombly D7/392.1
- 6,763,964 B1 * 7/2004 Hurlbut et al. 220/254.3
- D527,219 S * 8/2006 Trombly D7/392.1
- D536,213 S * 2/2007 Schuler et al. D7/392.1
- D536,214 S * 2/2007 Schuler et al. D7/392.1
- D544,749 S * 6/2007 Seum et al. D7/392.1
- D572,083 S * 7/2008 Tien D7/510
- D589,747 S * 4/2009 Wong D7/396.2

- D625,951 S * 10/2010 Baek D7/396.2
- D627,604 S 11/2010 Eyal
- D635,855 S * 4/2011 Smith et al. D9/447
- D643,245 S * 8/2011 Minarsch D7/392.1
- 2006/0081633 A1 * 4/2006 Schmidtner et al. 220/254.9

OTHER PUBLICATIONS

U.S. Appl. No. 29/391,660, filed May 11, 2011.

* cited by examiner

Primary Examiner — Cynthia M Chin

(74) *Attorney, Agent, or Firm* — Baker Botts L.L.P.

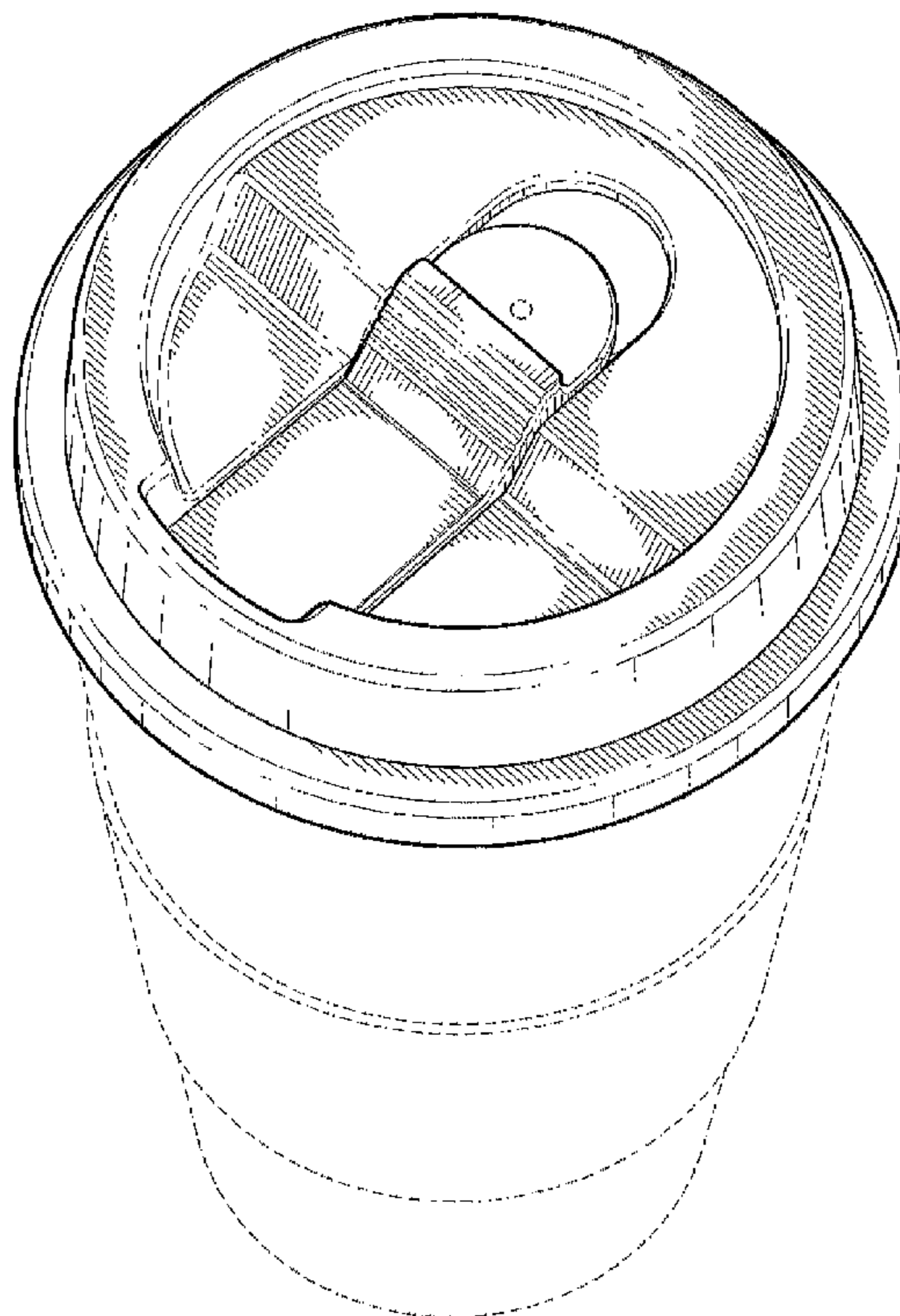
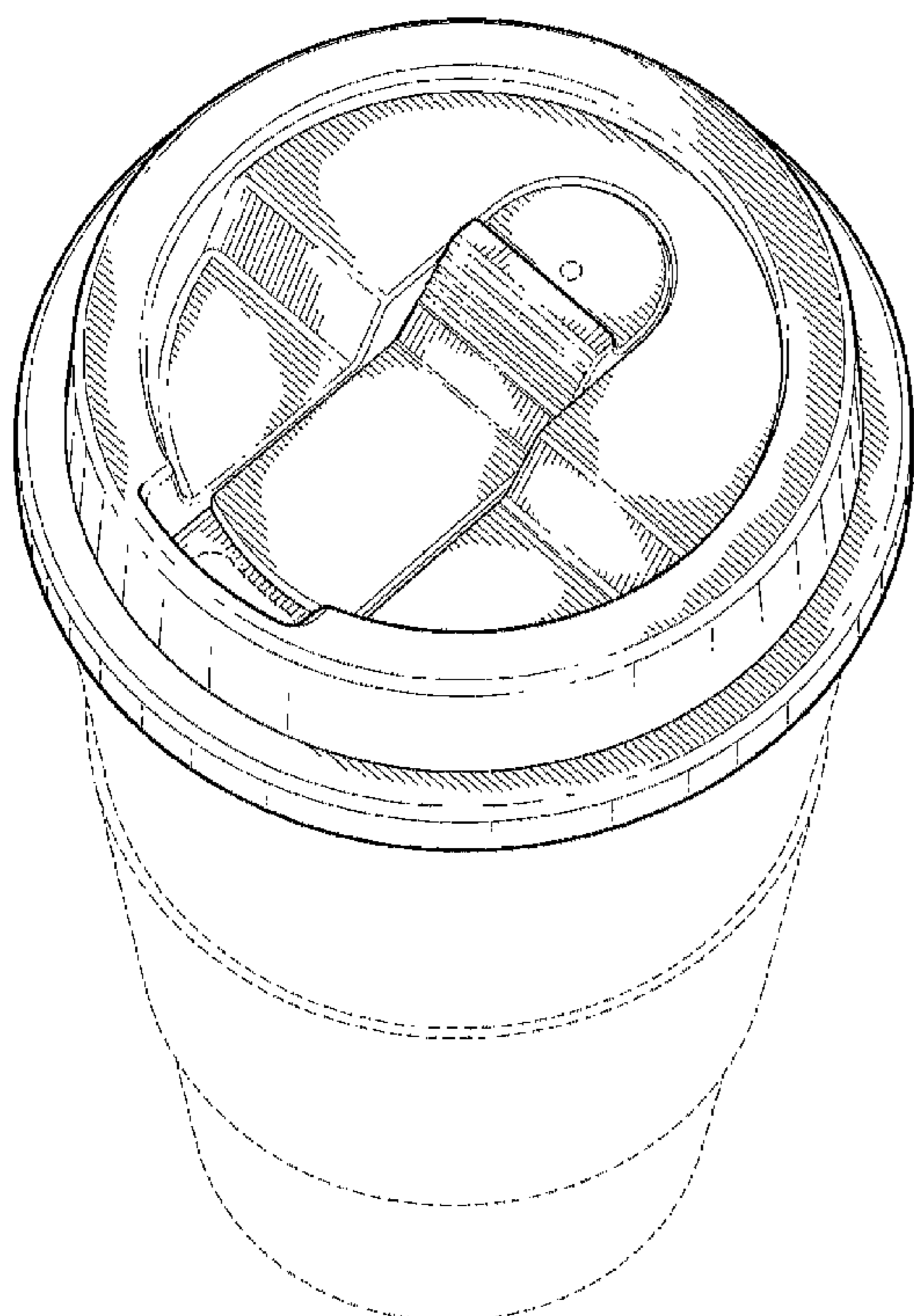
(57) **CLAIM**

The ornamental design for a lid, as shown and described.

DESCRIPTION

FIG. 1 is a perspective view of the lid.
 FIG. 2 is a front view of the lid of FIG. 1.
 FIG. 3 is a back view of the lid of FIG. 1.
 FIG. 4 is a left side view of the lid of FIG. 1.
 FIG. 5 is a right side view of the lid of FIG. 1.
 FIG. 6 is a top view of the lid of FIG. 1.
 FIG. 7 is a bottom view of the lid of FIG. 1.
 FIG. 8 is a perspective view of the lid of FIG. 1, shown in use on a cup; and,
 FIG. 9 is a perspective view of the lid of FIG. 1 in a closed position, shown in use on a cup.
 The broken lines shown throughout these figures illustrate environmental subject matter only and form no part of the claimed design.

1 Claim, 9 Drawing Sheets



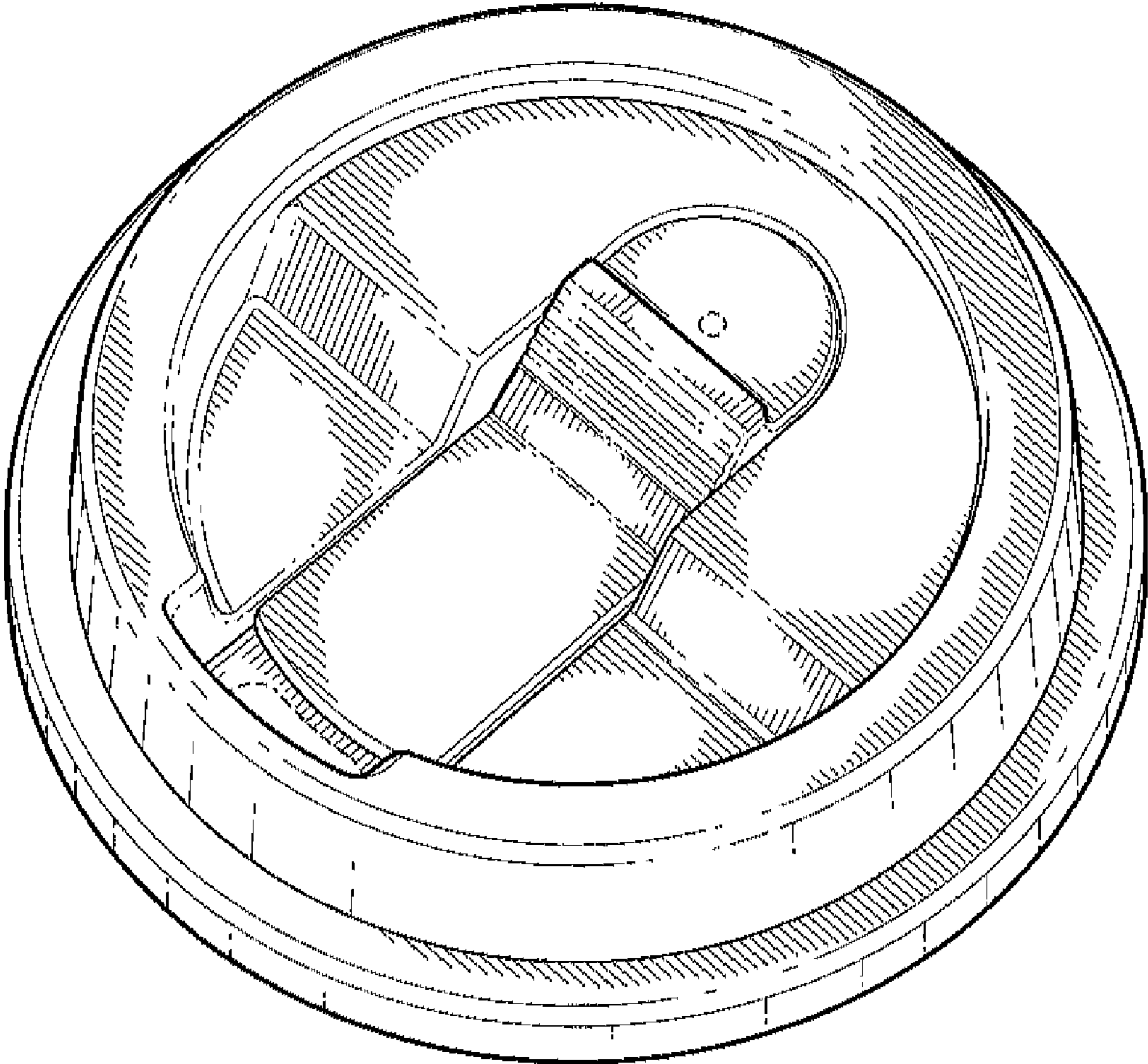


FIG. 1

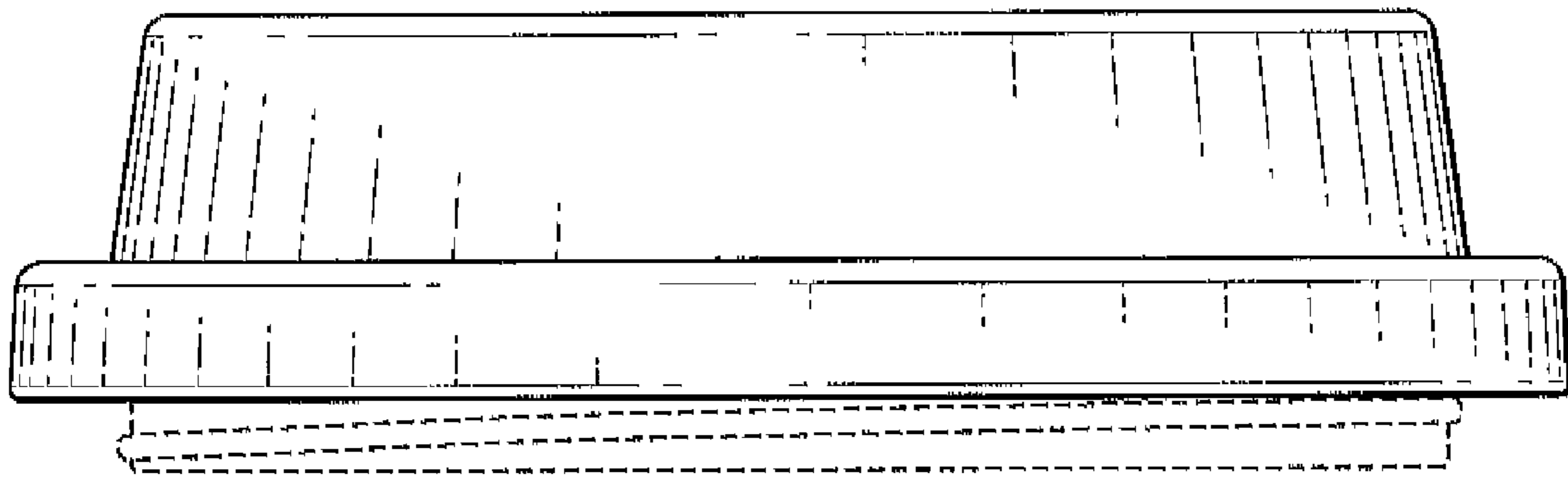


FIG. 2

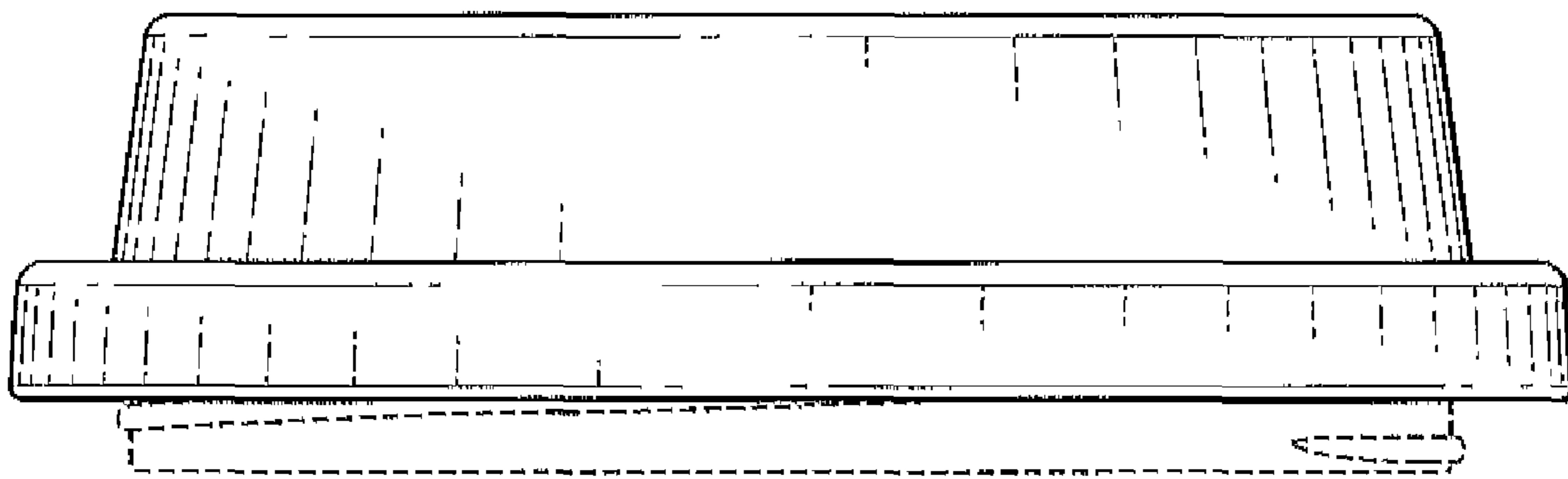


FIG. 3

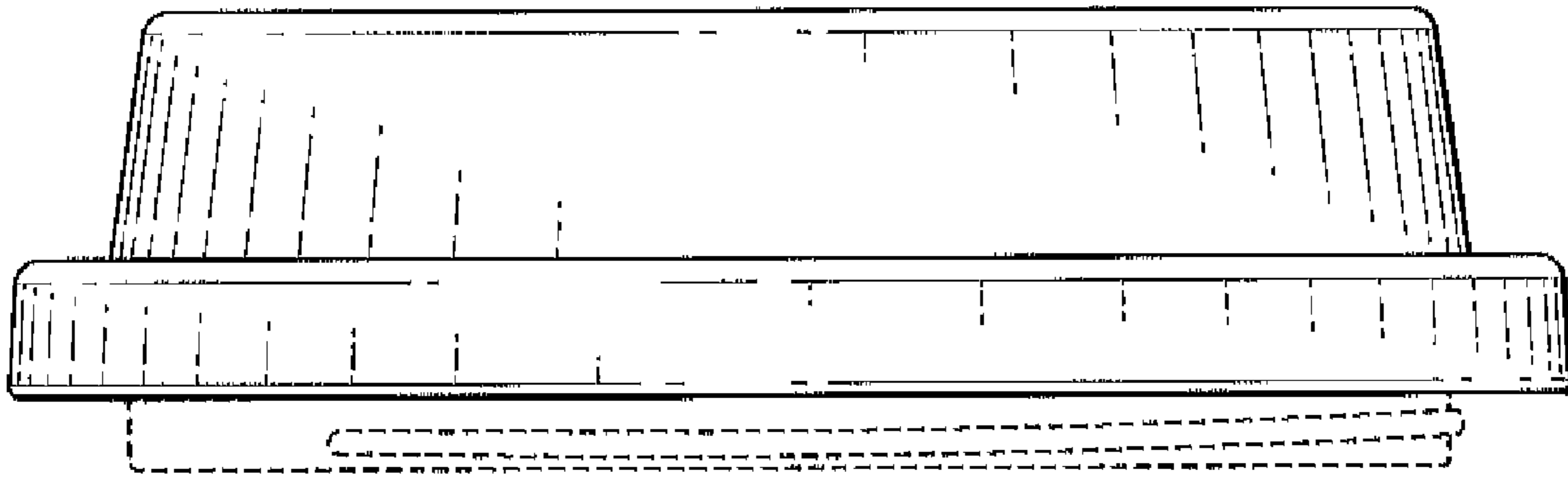


FIG.4

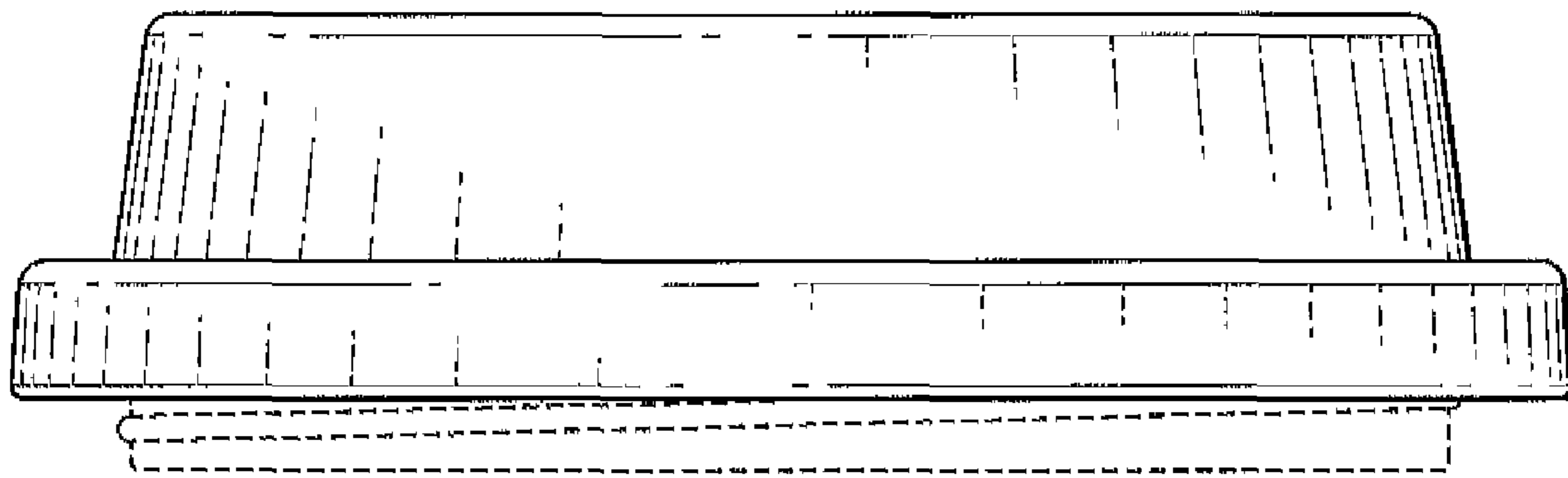


FIG. 5

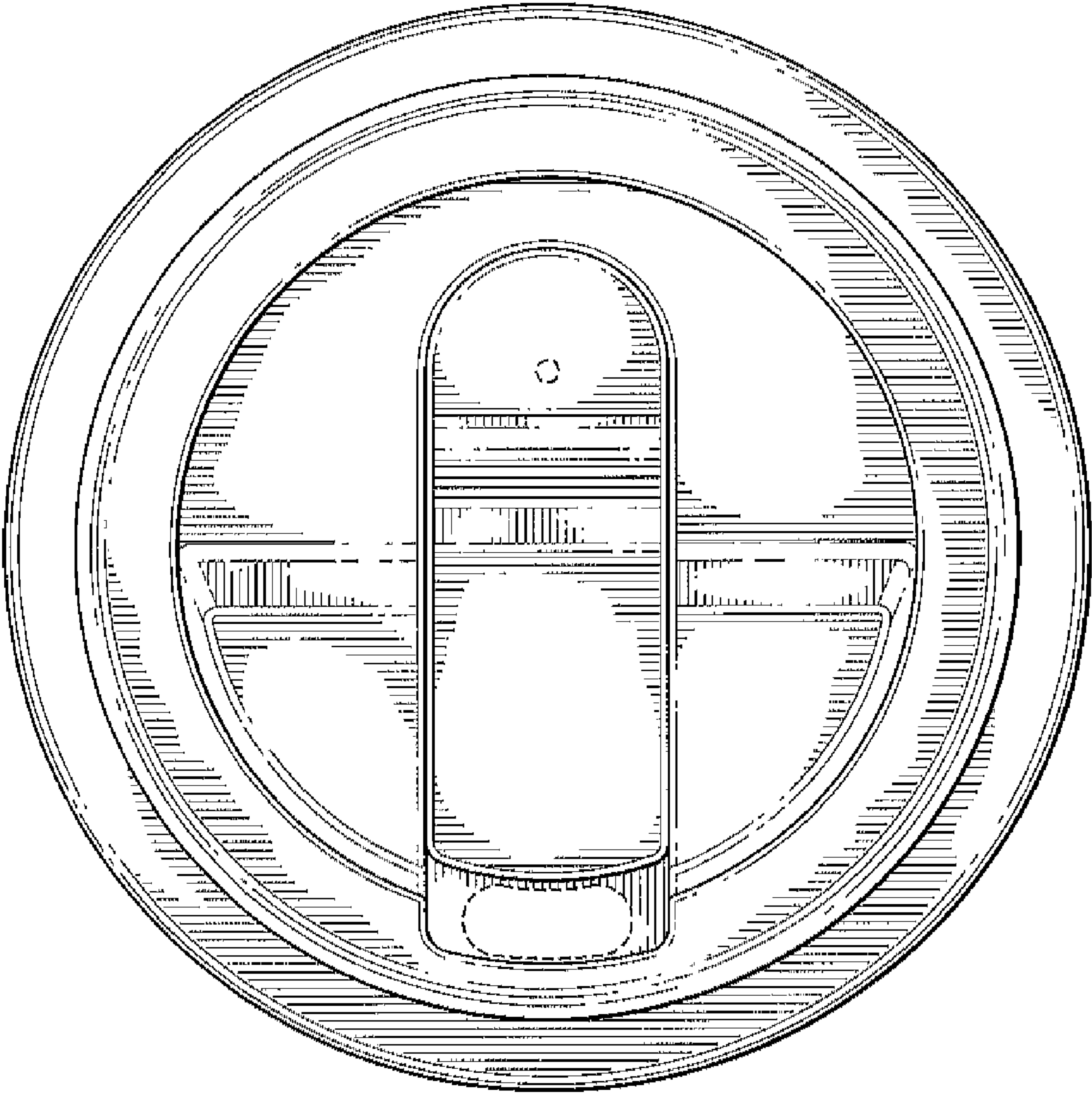


FIG. 6

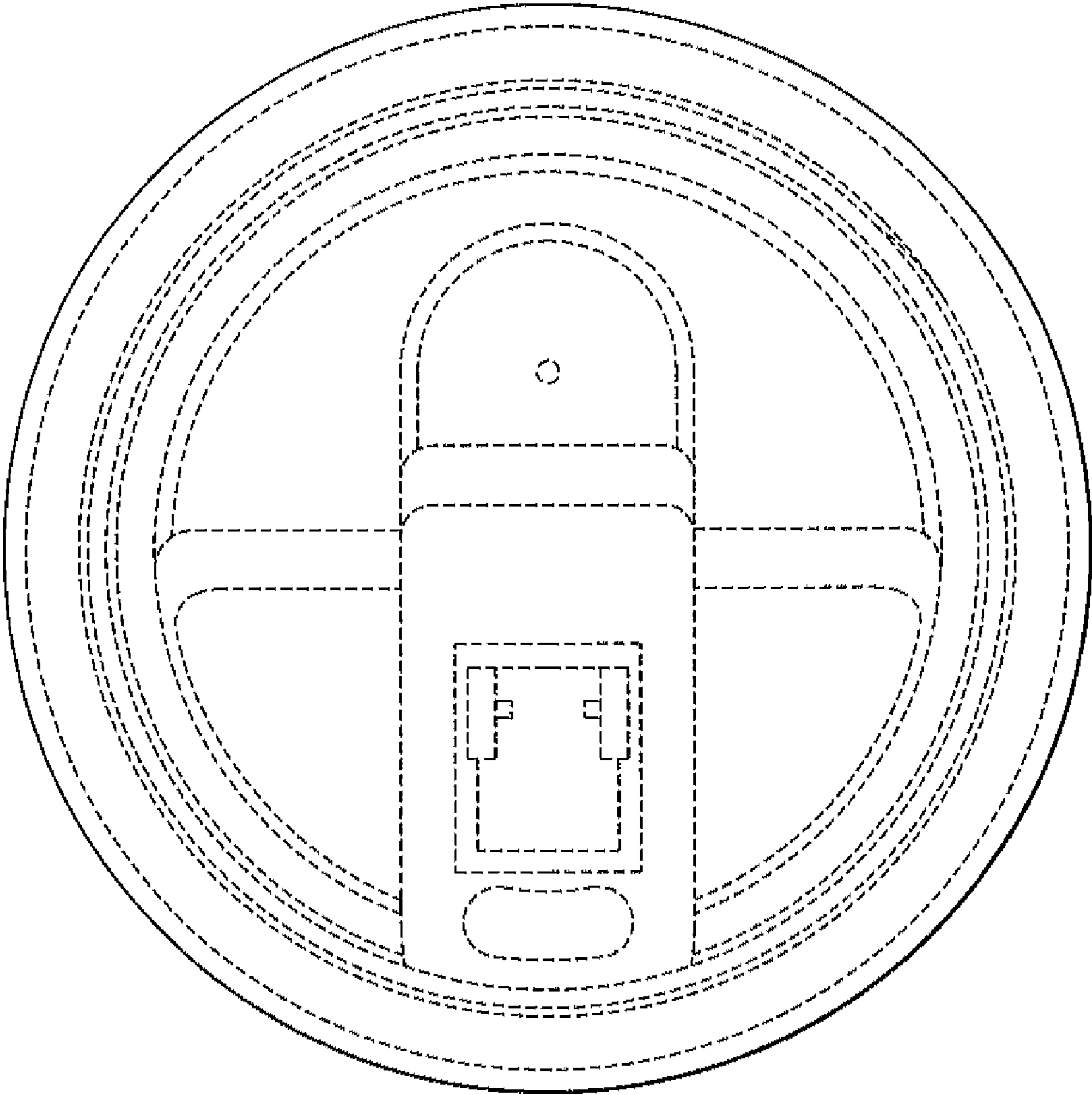


FIG. 7

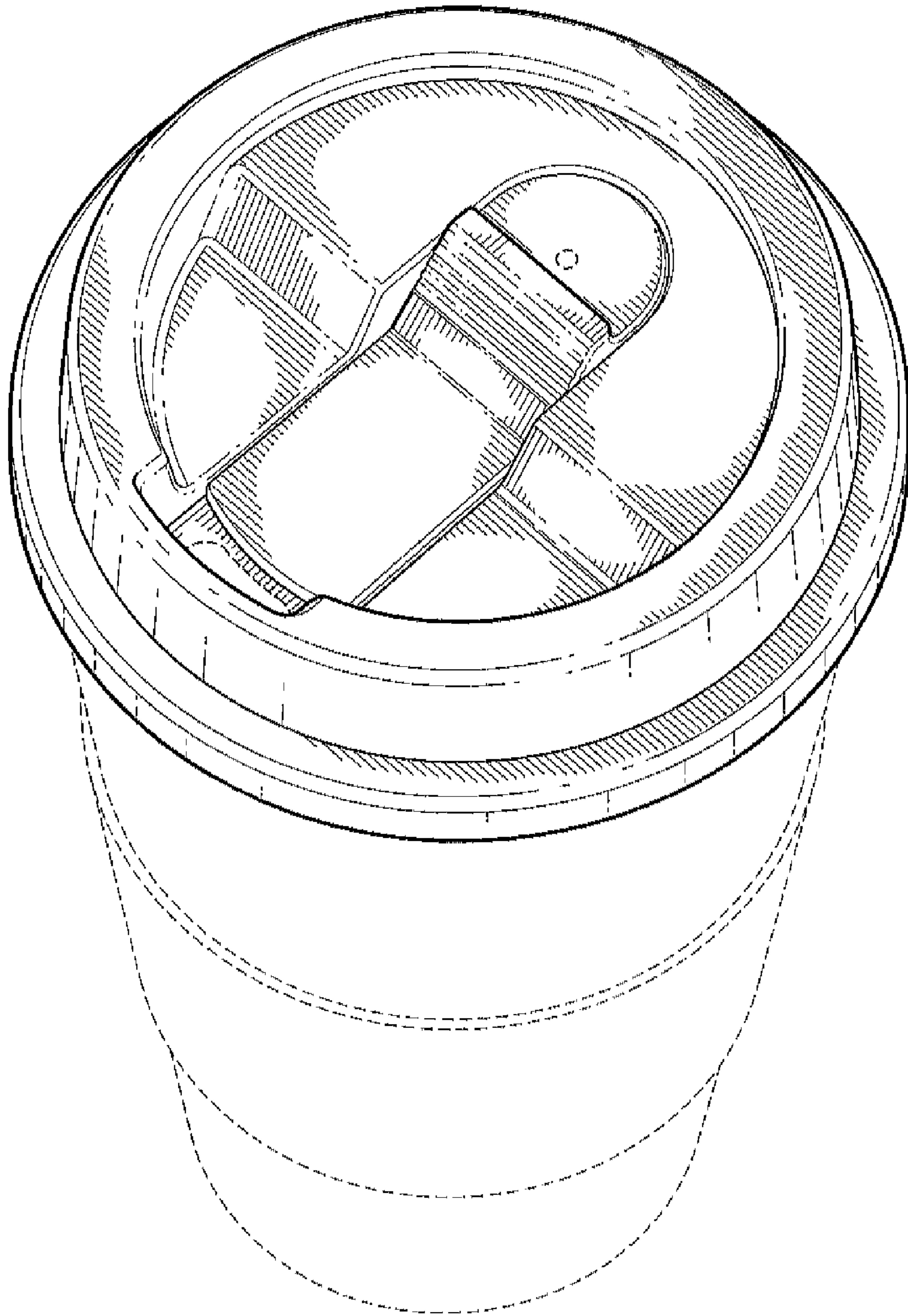


FIG. 8

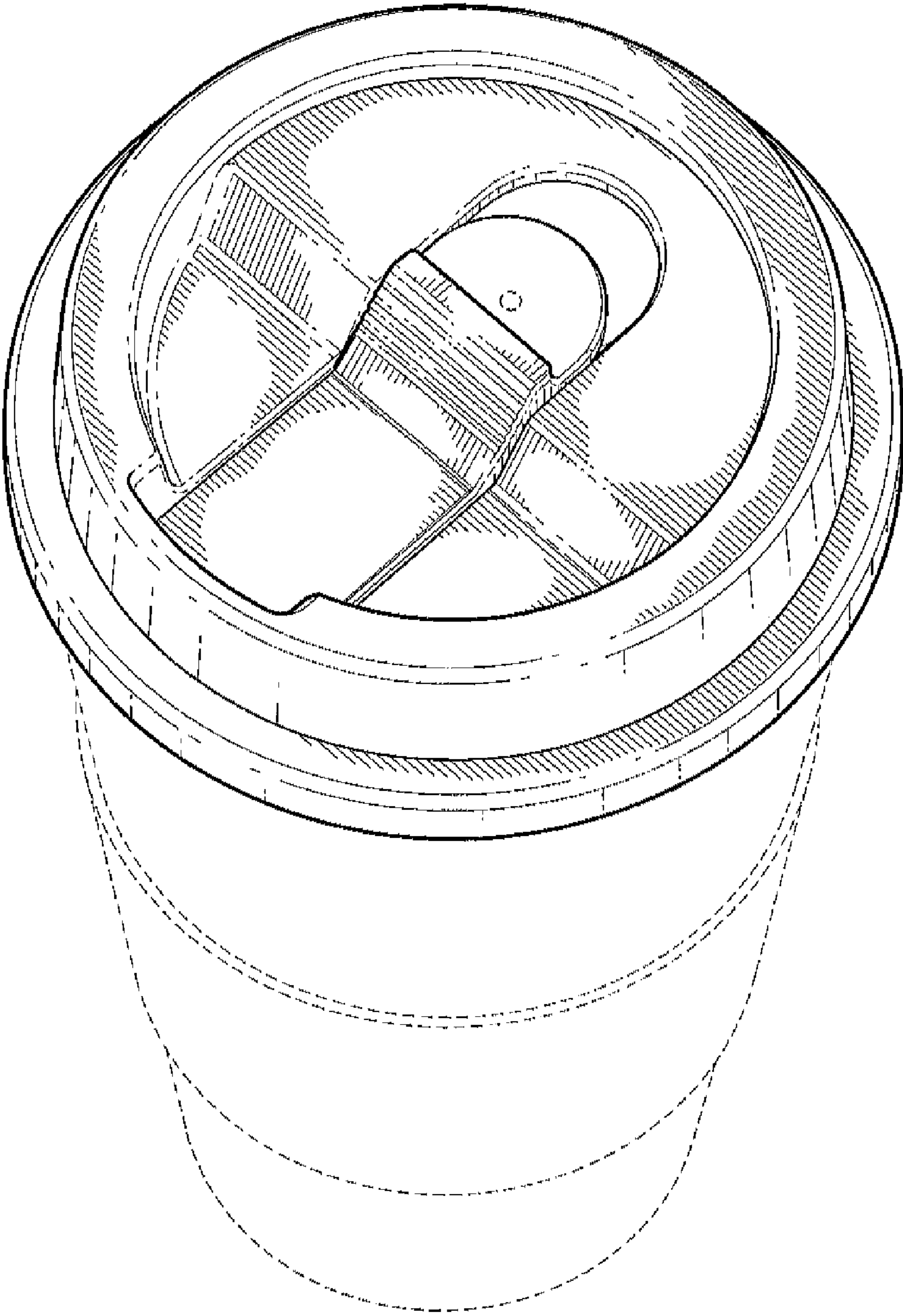


FIG.9