



US00D666050S

(12) **United States Design Patent**  
**Cionfoli**

(10) **Patent No.:** **US D666,050 S**

(45) **Date of Patent:** **\*\* Aug. 28, 2012**

(54) **COFFEE MAKER**

(75) Inventor: **Patrizio Cionfoli**, Turin (IT)

(73) Assignee: **Luigi Lavazza S.p.A.**, Turin (IT)

(\*\*) Term: **14 Years**

(21) Appl. No.: **29/371,625**

(22) Filed: **Jun. 1, 2011**

(30) **Foreign Application Priority Data**

Dec. 17, 2010 (EM) ..... 001795121

(51) **LOC (9) Cl.** ..... **07-01**

(52) **U.S. Cl.** ..... **D7/309; D7/311**

(58) **Field of Classification Search** ..... D7/309-311,  
D7/306; 99/295, 300, 282, 306  
See application file for complete search history.

(56) **References Cited**

**U.S. PATENT DOCUMENTS**

D511,065 S \* 11/2005 Pininfarina ..... D7/309  
D561,515 S \* 2/2008 De Pra' ..... D7/309

D642,415 S \* 8/2011 Novelli ..... D7/309

7,987,769 B2 \* 8/2011 Oranski et al. .... 99/295

D645,289 S \* 9/2011 Lenzi ..... D7/309

D645,695 S \* 9/2011 Zoppellari ..... D7/309

8,091,470 B2 \* 1/2012 De'Longhi ..... 99/307

\* cited by examiner

*Primary Examiner* — Marianne Pandozzi

(74) *Attorney, Agent, or Firm* — Nixon & Vanderhye P.C.

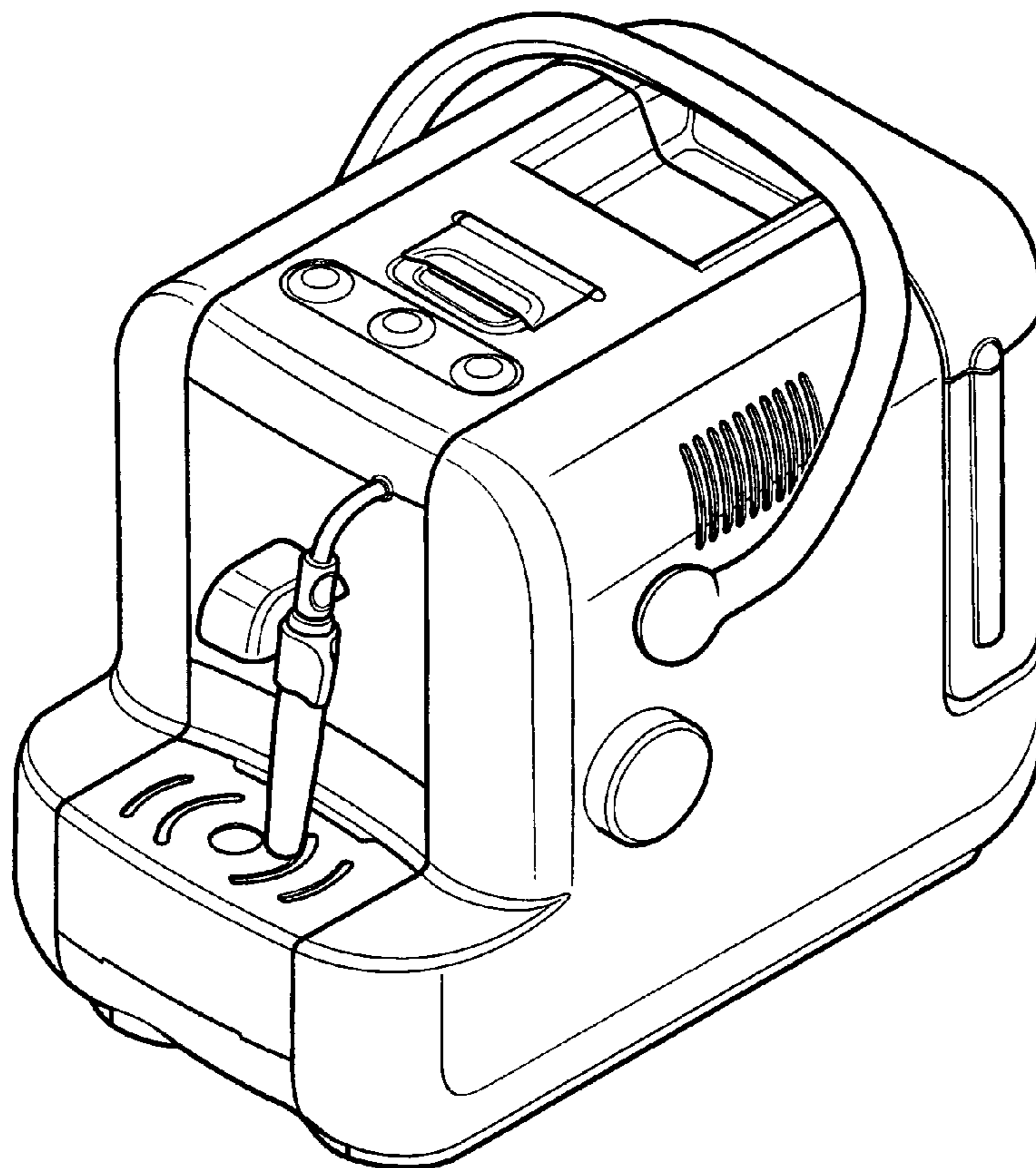
(57) **CLAIM**

The ornamental design for a coffee maker, as shown and described.

**DESCRIPTION**

FIG. 1 is a front elevational view of a coffee maker;  
FIG. 2 is a rear elevational view thereof;  
FIG. 3 is a right elevational view thereof;  
FIG. 4 is a left elevational view thereof;  
FIG. 5 is a top plan view thereof;  
FIG. 6 is a bottom plan view thereof; and,  
FIG. 7 is a front, right, top perspective view of a coffee maker.

**1 Claim, 7 Drawing Sheets**



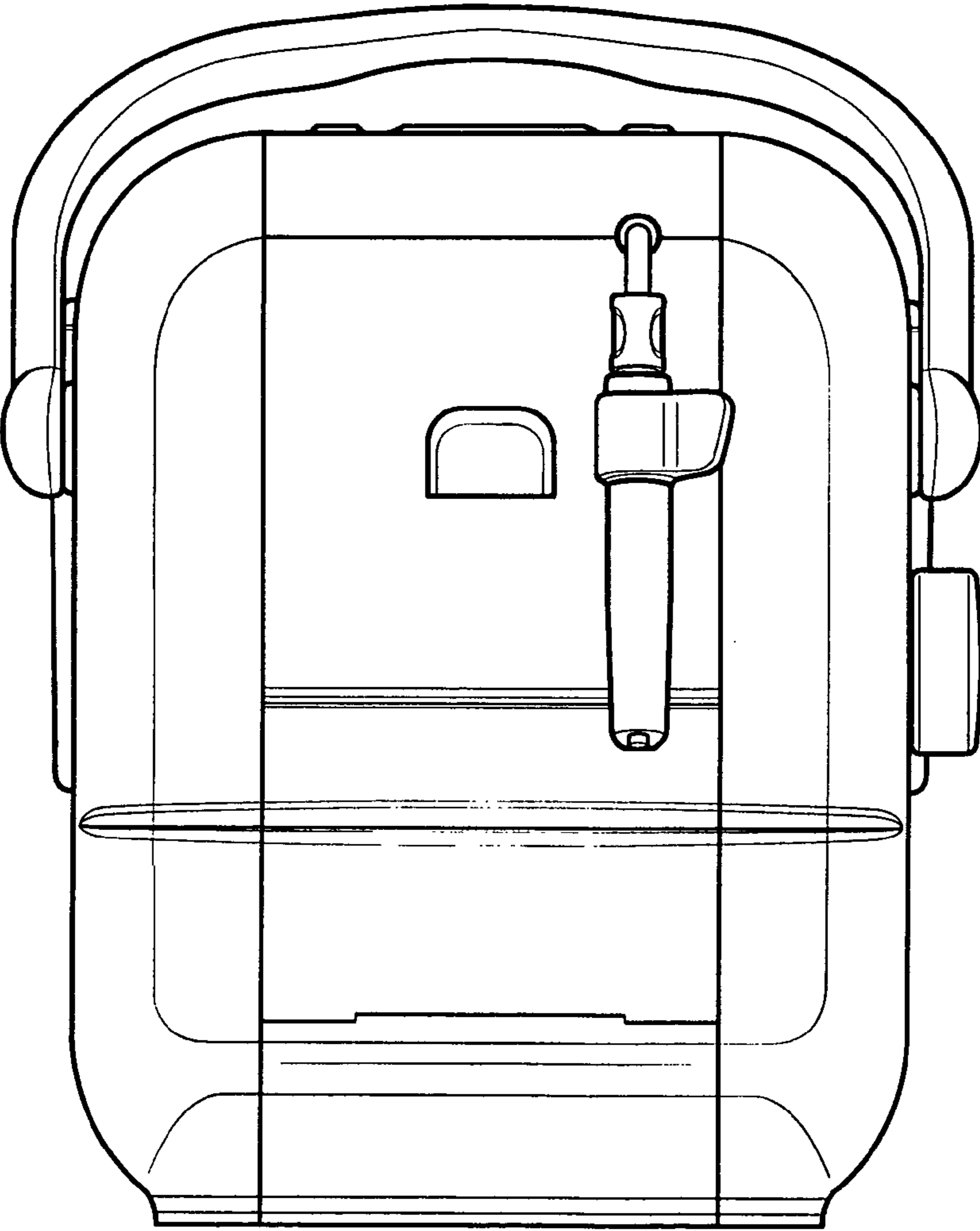


FIG. 1

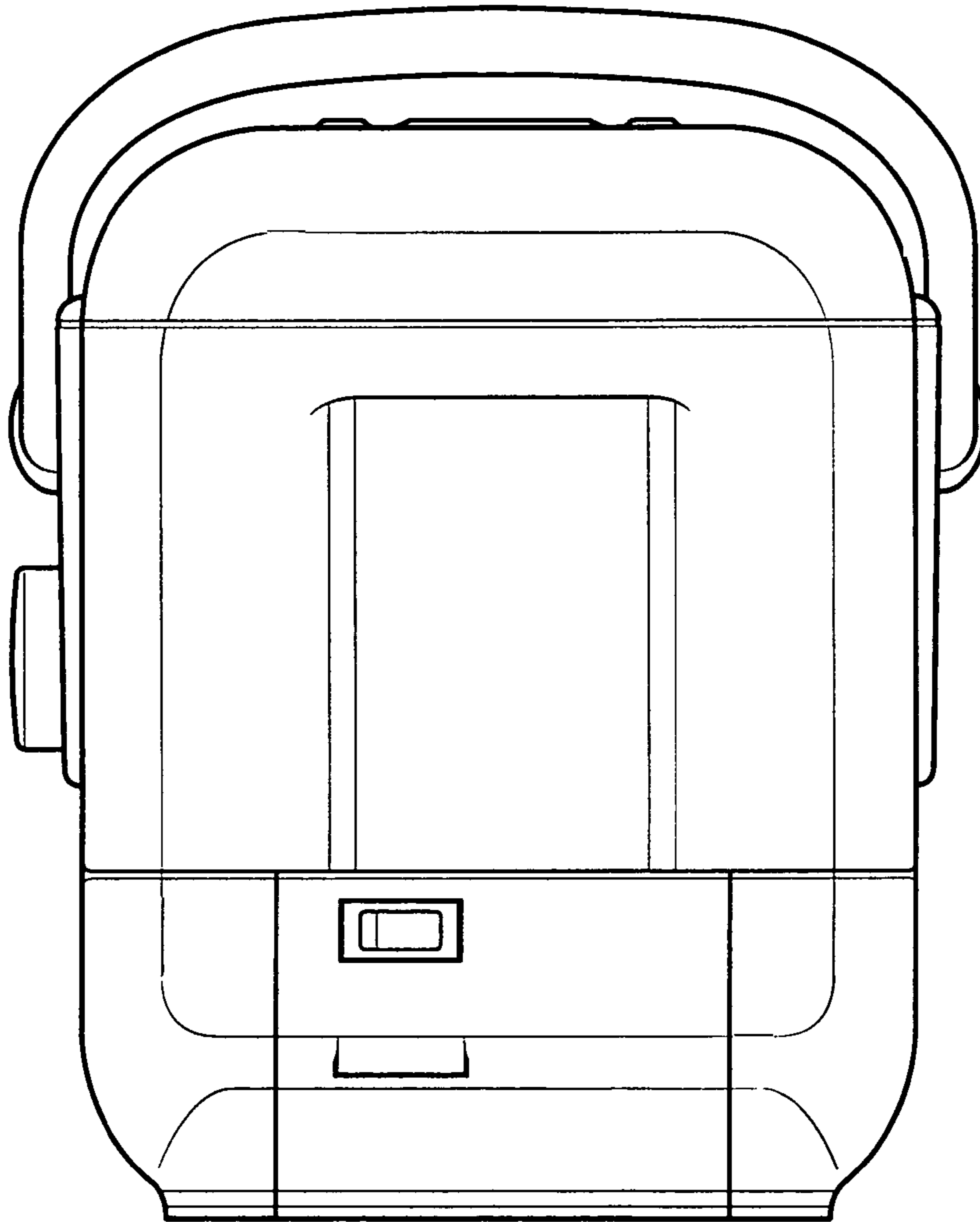


FIG. 2

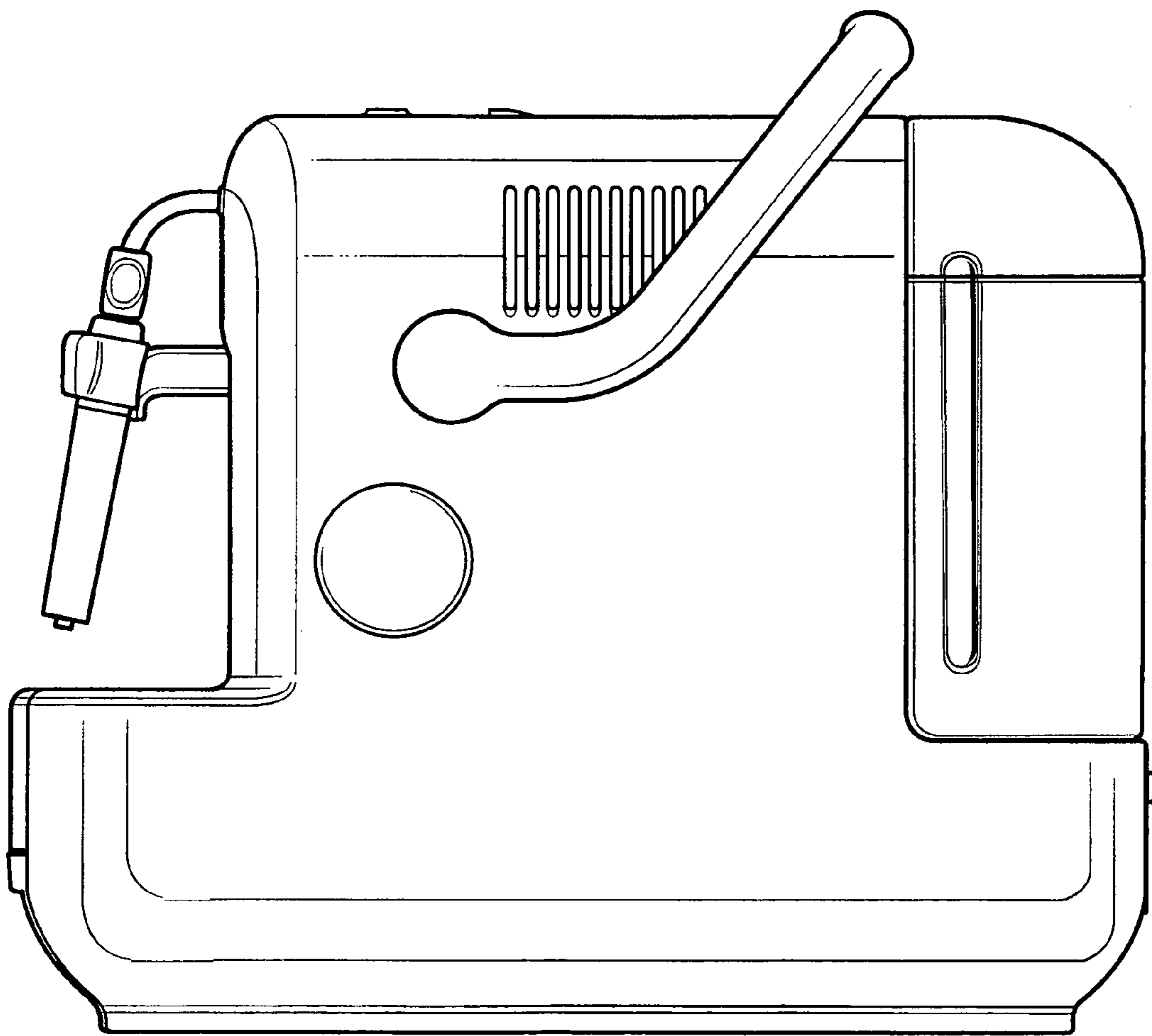


FIG. 3

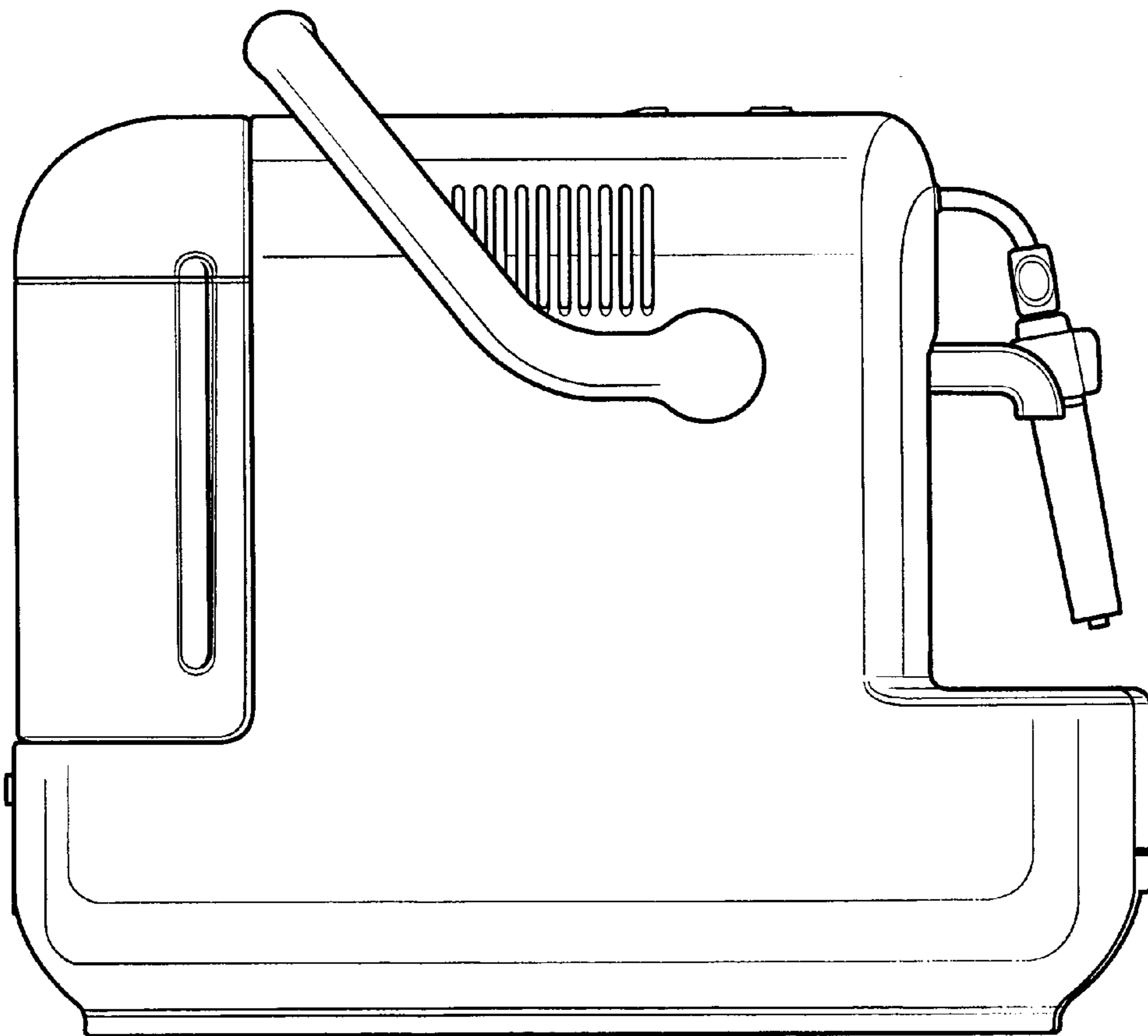


FIG. 4

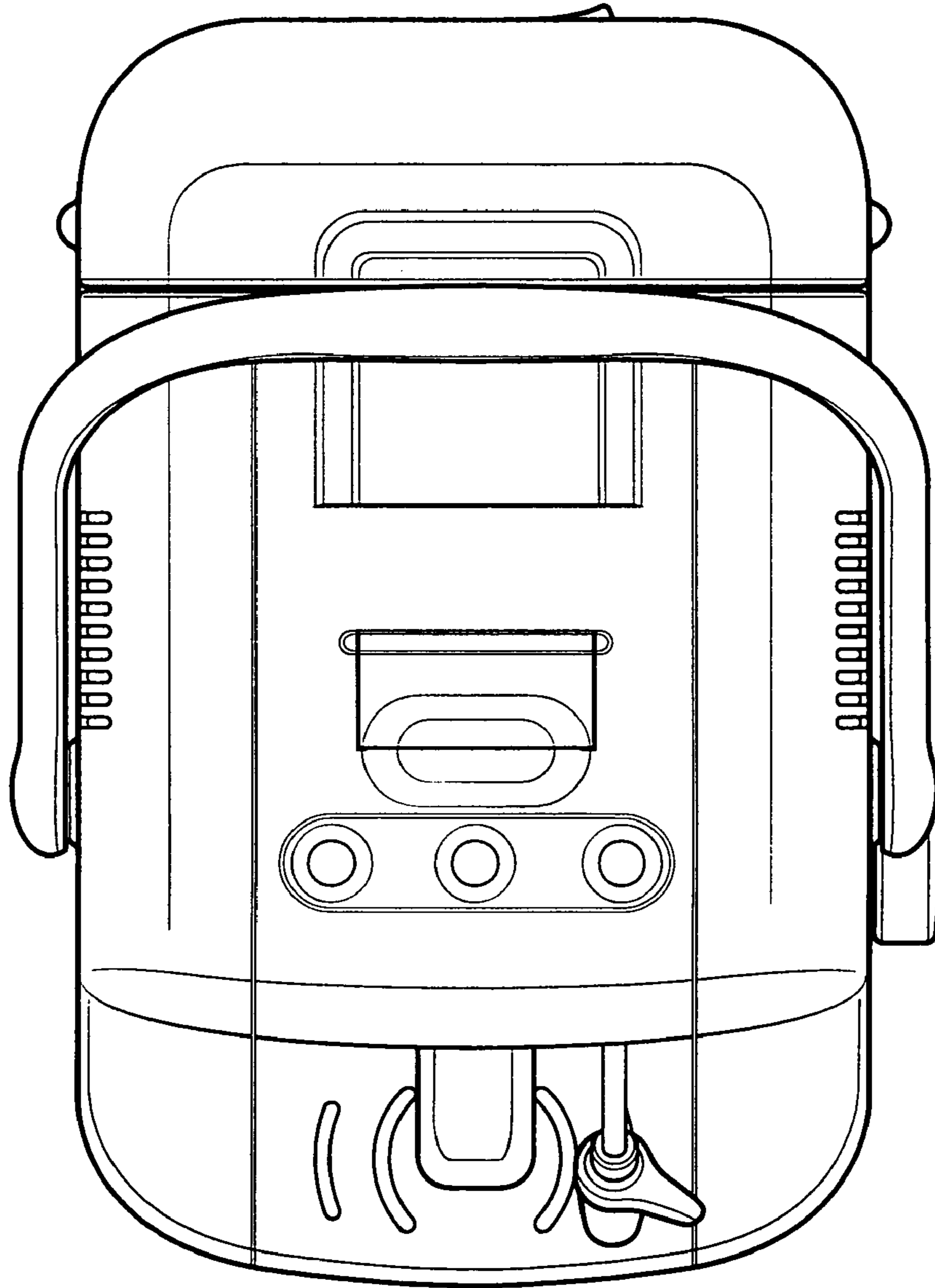


FIG. 5

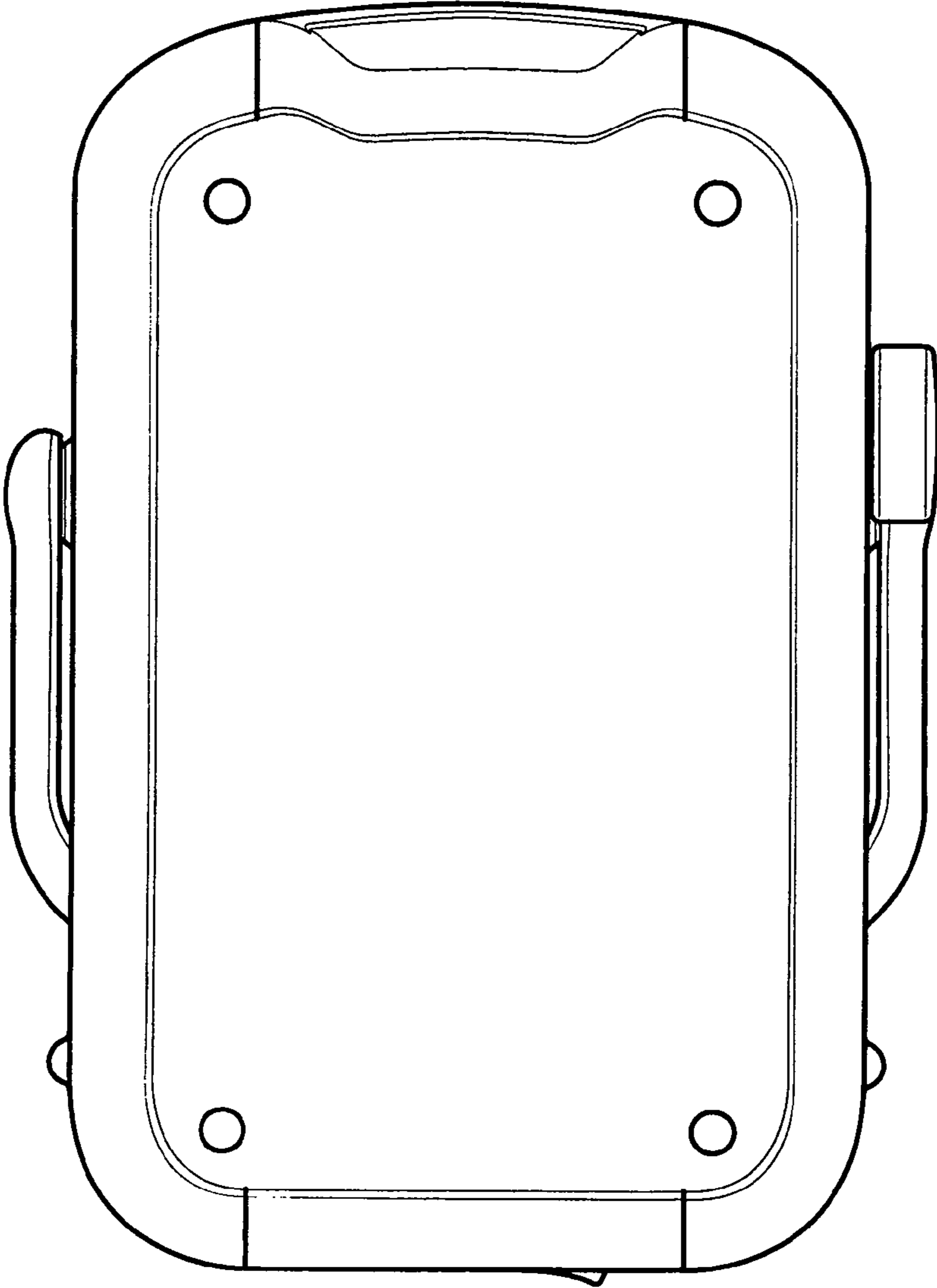


FIG. 6

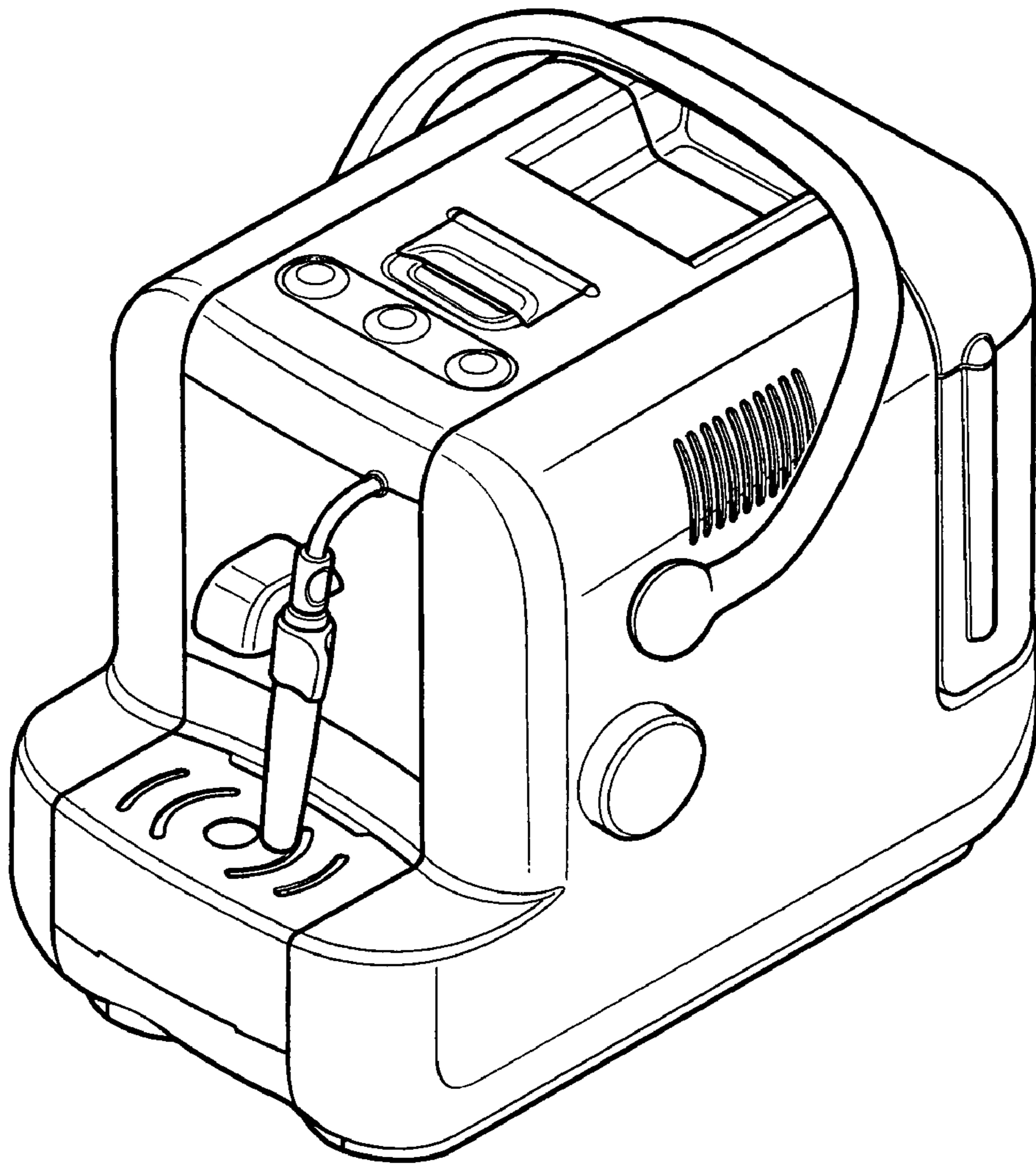


FIG. 7