

US00D666048S

(12) **United States Design Patent**
Kasswran et al.

(10) **Patent No.:** **US D666,048 S**

(45) **Date of Patent:** **** Aug. 28, 2012**

(54) **PORTABLE KEG CONTAINER**

(76) Inventors: **Mohamed Kasswran**, Houston, TX
(US); **Robert Reeves**, Deerfield Beach,
FL (US)

(**) Term: **14 Years**

(21) Appl. No.: **29/398,699**

(22) Filed: **Aug. 3, 2011**

(51) **LOC (9) Cl.** **07-01**

(52) **U.S. Cl.** **D7/301; D7/901; D7/313; D7/305**

(58) **Field of Classification Search** D7/901,
D7/606, 301, 305, 306, 313; 222/108, 146.6;
220/630

See application file for complete search history.

D312,524 S	11/1990	Juergens	
5,282,561 A	2/1994	Mihalich	
5,361,605 A	11/1994	Pizzi et al.	
D354,642 S *	1/1995	Stoddard et al.	D6/450
5,662,241 A *	9/1997	Sorensen	220/630
D401,117 S *	11/1998	Anderson et al.	D7/606
5,934,100 A	8/1999	Hornick	
D425,757 S *	5/2000	Printz et al.	D7/510
6,082,896 A	7/2000	Pulli	
6,105,825 A	8/2000	Gomi et al.	
6,328,320 B1	12/2001	Walski et al.	
6,386,557 B1	5/2002	Weldon	
6,481,238 B1	11/2002	Jennings et al.	
D469,787 S	2/2003	Wicker	
D478,480 S *	8/2003	Leon	D7/624.1
6,637,224 B2	10/2003	Chiusolo	
D511,212 S *	11/2005	Whalen	D24/197
D547,696 S *	7/2007	Wheeler	D11/149
D550,393 S *	9/2007	VanderSchuit	D26/125

(Continued)

(56) **References Cited**

U.S. PATENT DOCUMENTS

2,088,376 A	7/1937	Kaskey	
2,104,467 A	1/1938	Marzolf	
2,792,692 A	5/1957	Bryan	
2,917,906 A	12/1959	Woolley	
3,232,489 A	2/1966	Buffington	
3,308,636 A	3/1967	Schaaf	
3,312,373 A	4/1967	Gentry	
3,315,491 A	4/1967	Zant	
3,443,397 A	5/1969	Donovan et al.	
3,614,875 A	10/1971	McCallun	
3,627,399 A	12/1971	Addison et al.	
D228,328 S *	9/1973	Schley	D7/507
3,789,622 A	2/1974	Yanes	
4,006,606 A	2/1977	Underdue	
4,042,142 A	8/1977	Ruano	
4,071,160 A	1/1978	Vick	
4,164,853 A	8/1979	McDonough	
4,225,059 A	9/1980	Kappos	
D258,125 S *	2/1981	Bailey	D11/157
D269,148 S	5/1983	Trkla et al.	
4,481,791 A	11/1984	German	
4,514,993 A	5/1985	Johnson	
4,519,219 A	5/1985	Prepodnik et al.	
4,633,678 A	1/1987	Lea et al.	
4,653,290 A	3/1987	Byrne	
D298,105 S *	10/1988	Lamantia, Jr.	D9/668
D310,137 S *	8/1990	Mays	D3/271.9

Primary Examiner — Marianne Pandozzi

(74) *Attorney, Agent, or Firm* — John K. Buche; Buche & Associates, P.C.

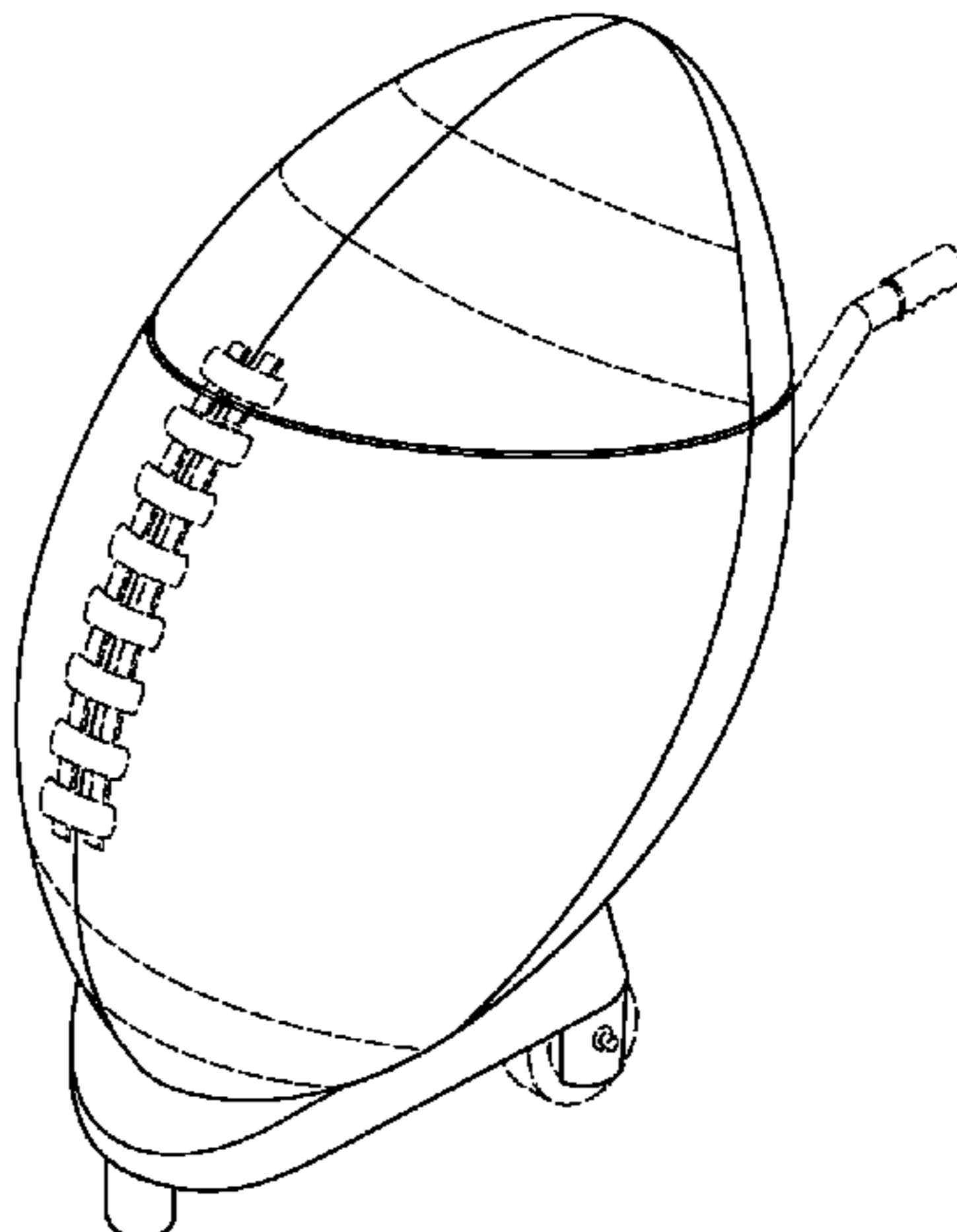
(57) **CLAIM**

The ornamental design for a portable keg container, as shown and described.

DESCRIPTION

FIG. 1 is a front perspective view of a portable keg container showing our new design;
 FIG. 2 is a front elevational view thereof;
 FIG. 3 is a back elevational view thereof;
 FIG. 4 is a left side elevational view thereof;
 FIG. 5 is a right side elevational view thereof;
 FIG. 6 is a top view thereof;
 FIG. 7 is a bottom view thereof;
 FIG. 8 is a front perspective view thereof in open position; and,
 FIG. 9 is a left side view thereof.
 The broken lines of the Figures illustrate environmental structure and portions of the portable keg container which form no part of the claimed design.

1 Claim, 4 Drawing Sheets



US D666,048 S

Page 2

U.S. PATENT DOCUMENTS

D562,073	S *	2/2008	Yeh	D7/515	2006/0163292	A1	7/2006	Wauters
D575,079	S *	8/2008	Hirsh	D6/434	2007/0023439	A1	2/2007	Vaughn
D589,765	S *	4/2009	Zuloff	D7/515	2008/0006051	A1	1/2008	Johnson
D604,086	S *	11/2009	Lipinski et al.	D7/301	2008/0196447	A1	8/2008	Hempell
D611,287	S *	3/2010	Lochen	D7/301	2008/0302124	A1	12/2008	Bond
7,735,334	B2	6/2010	Johnson		2010/0077790	A1	4/2010	Apps
7,757,908	B1	7/2010	Buhl, Jr.		2010/0176170	A1	7/2010	O'Hare
D632,519	S *	2/2011	Zimmermann	D7/301	2010/0326123	A1	12/2010	Johnson
2003/0106895	A1	6/2003	Kalal					

* cited by examiner

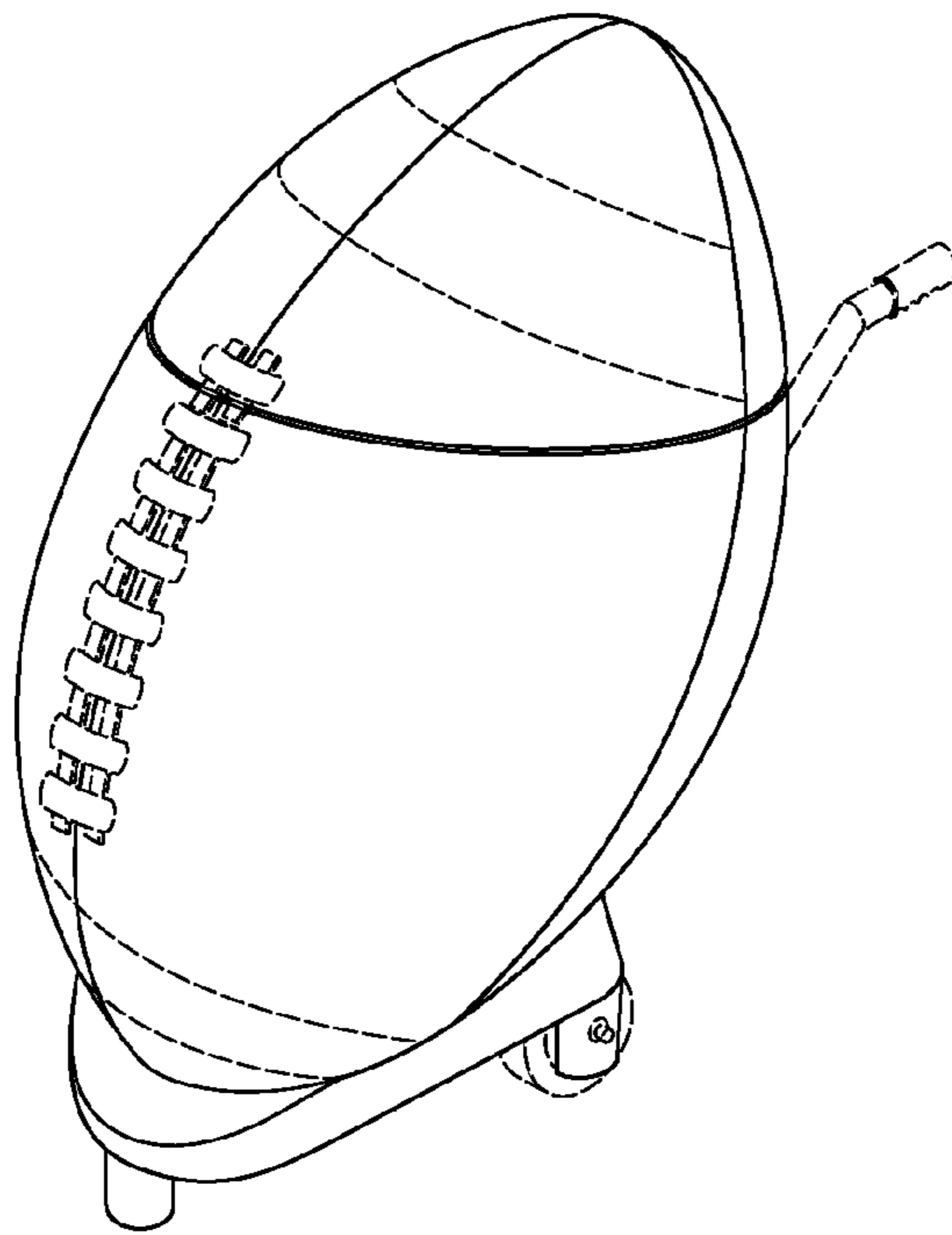


FIG. 1

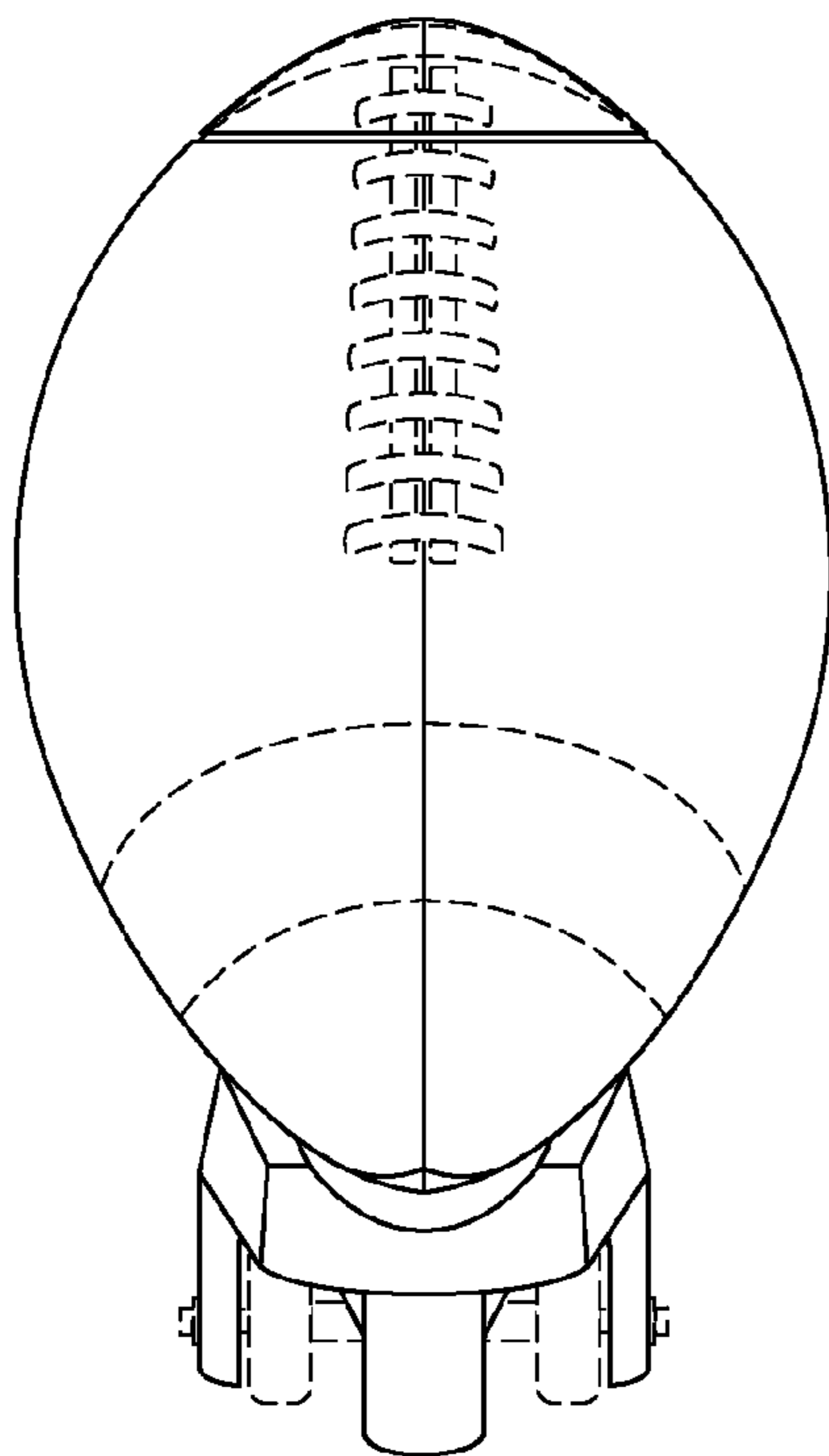


FIG. 2

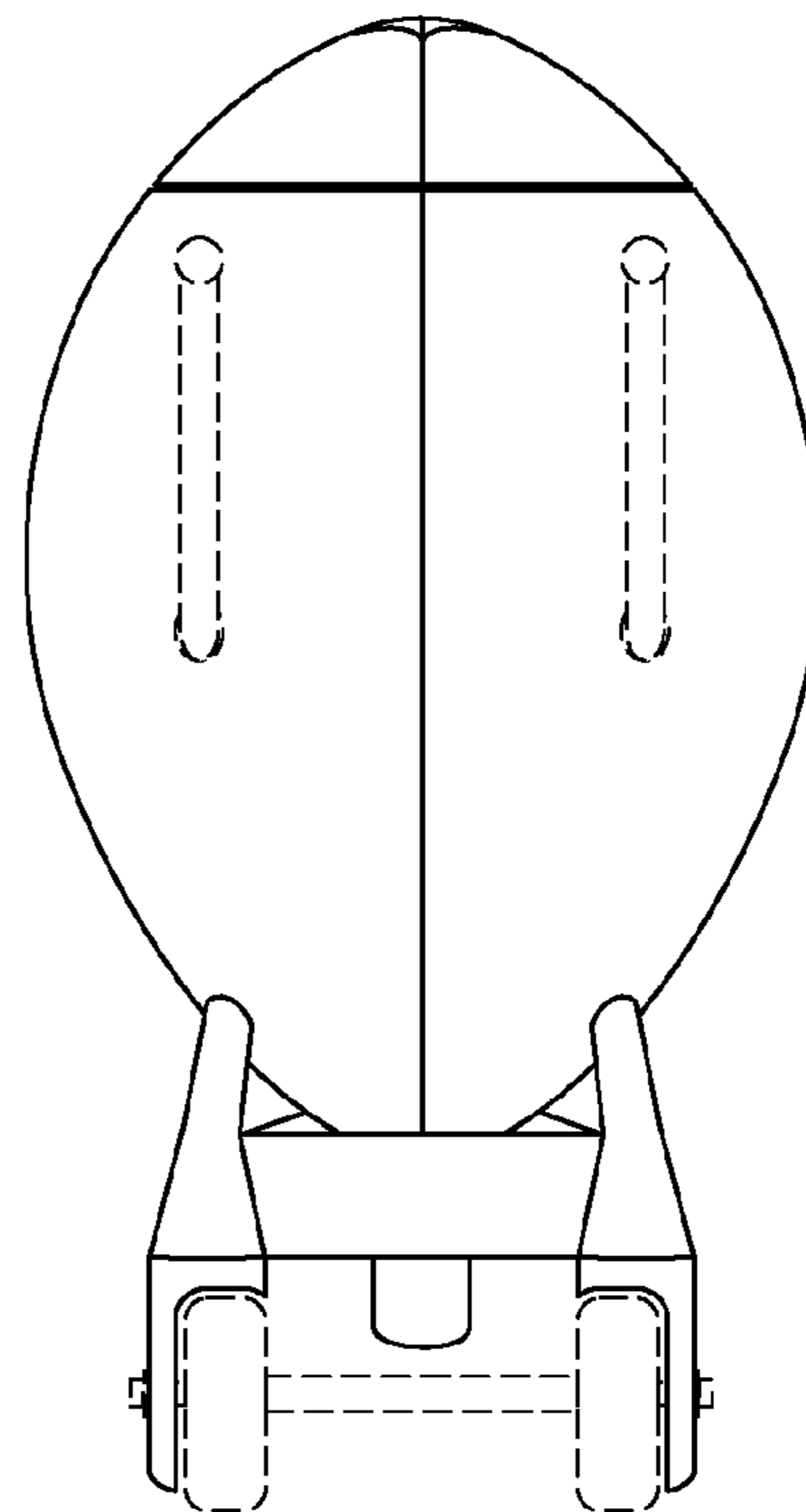


FIG. 3

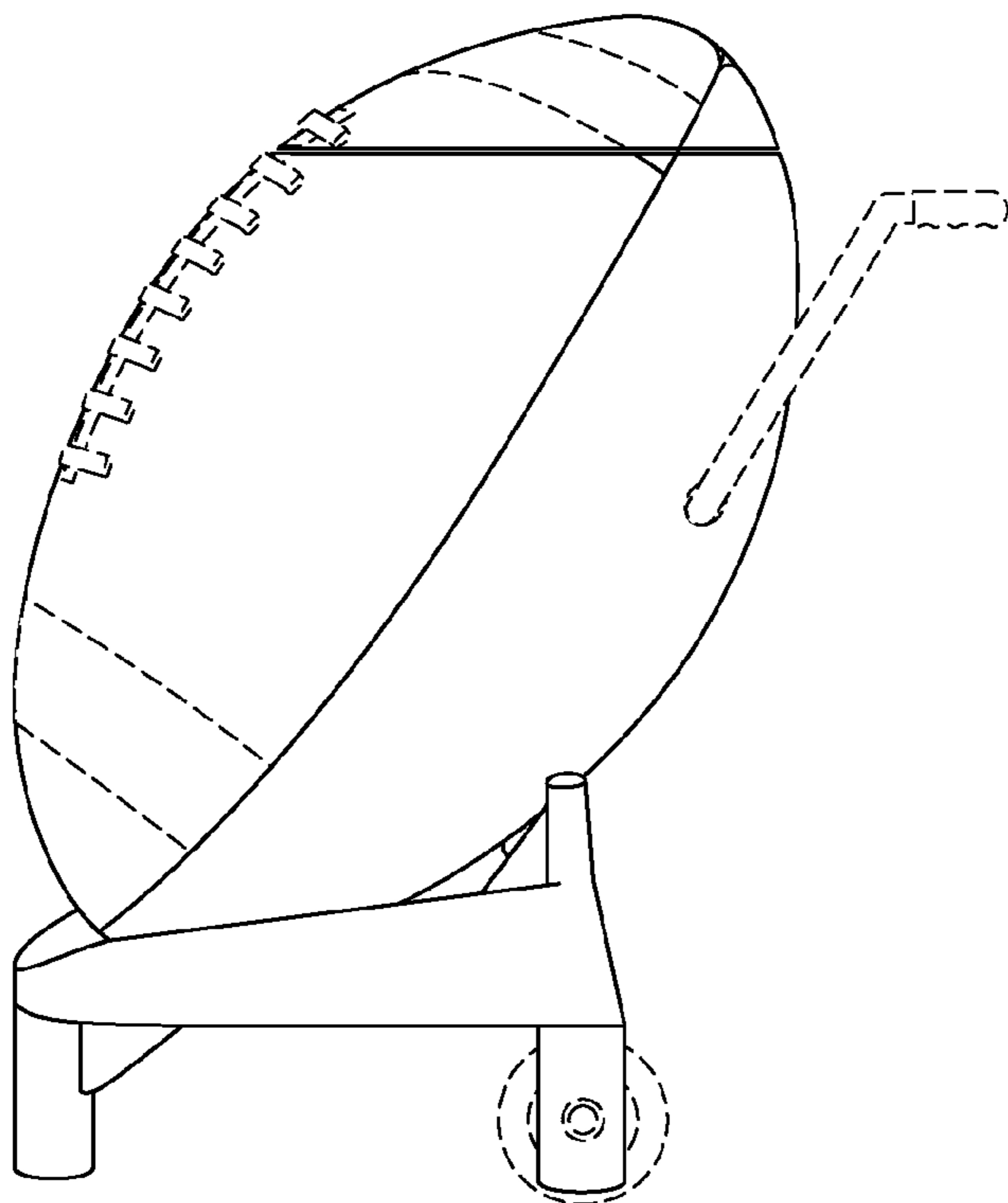


FIG. 4

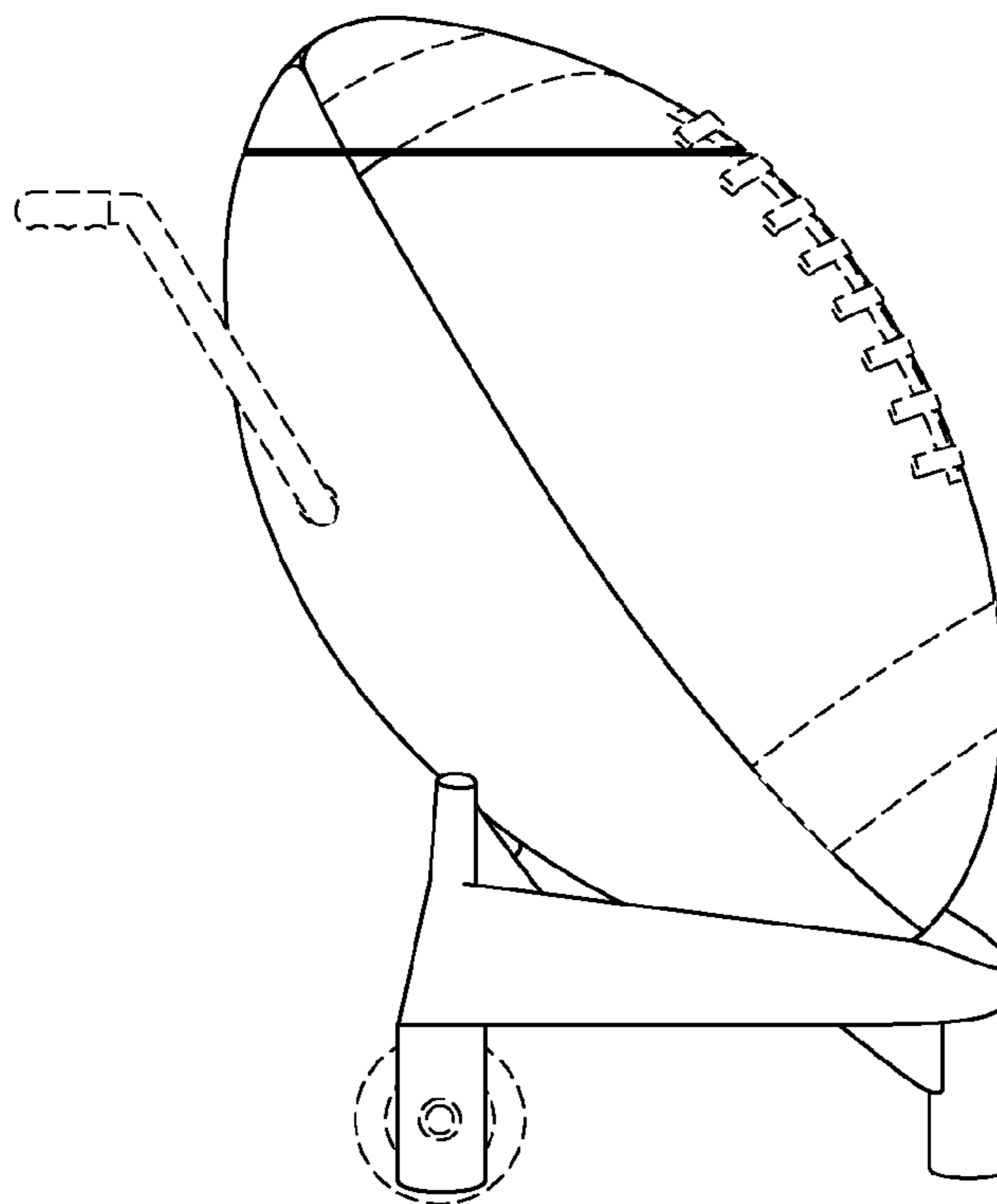


FIG. 5

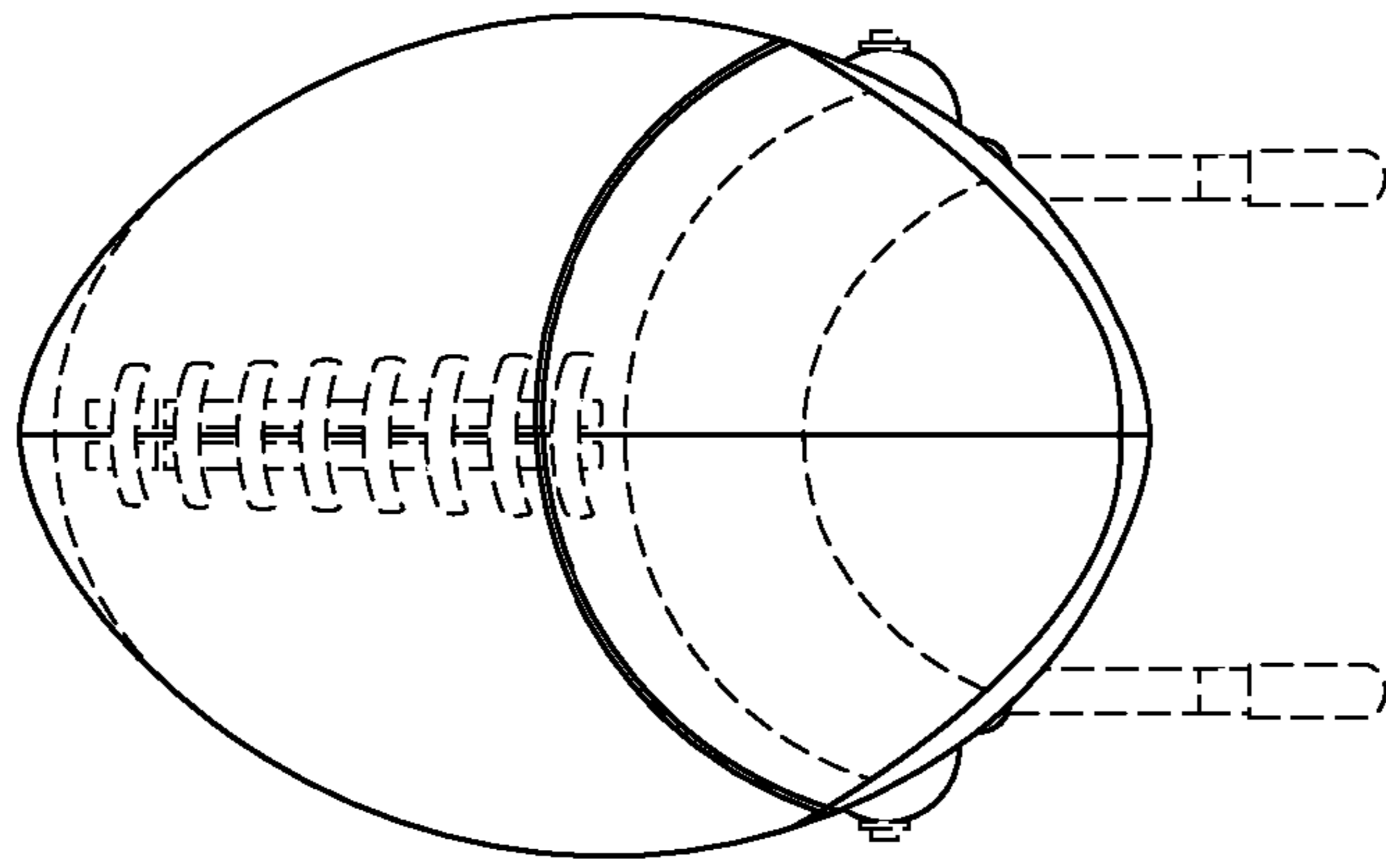


FIG. 6

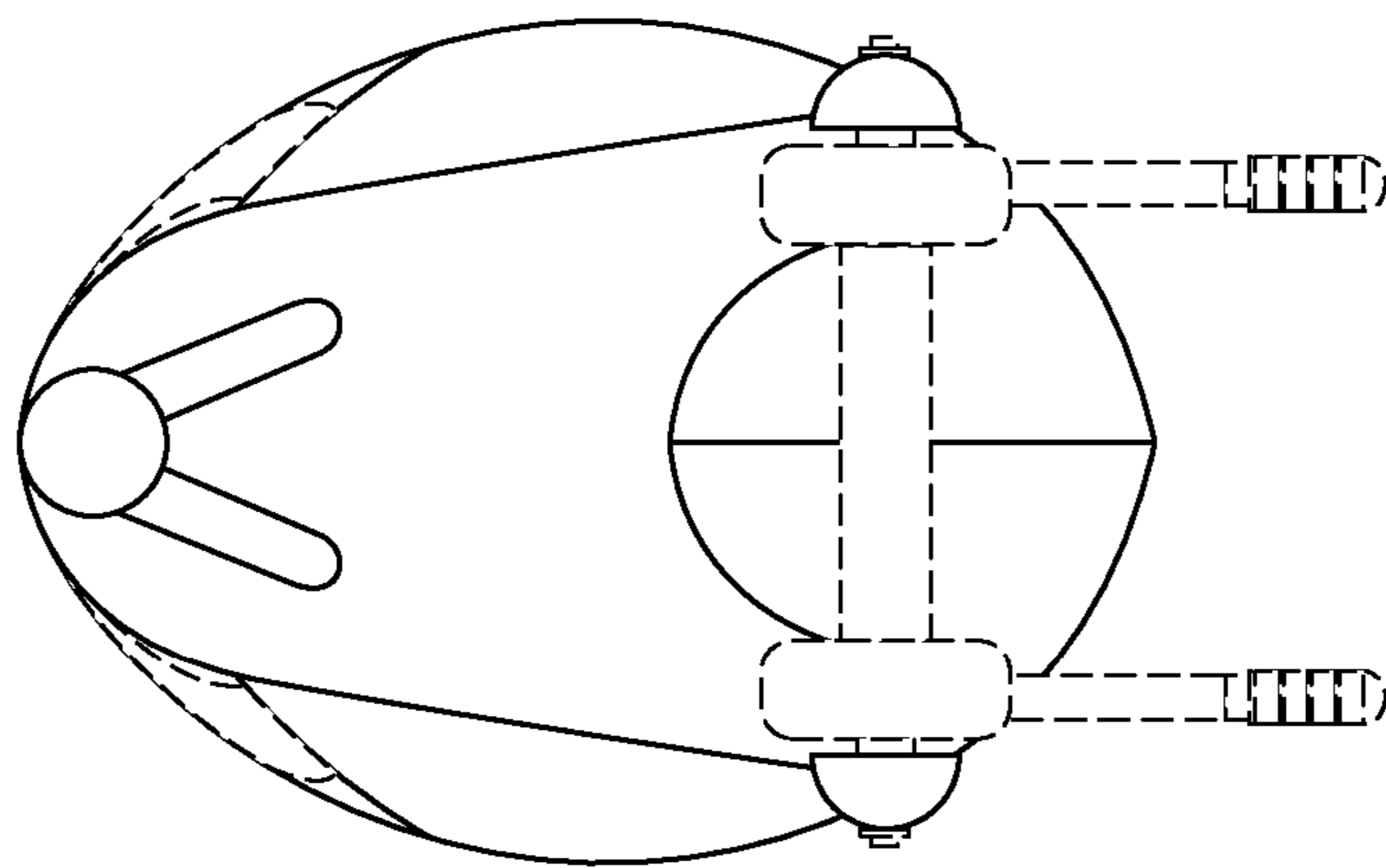


FIG. 7

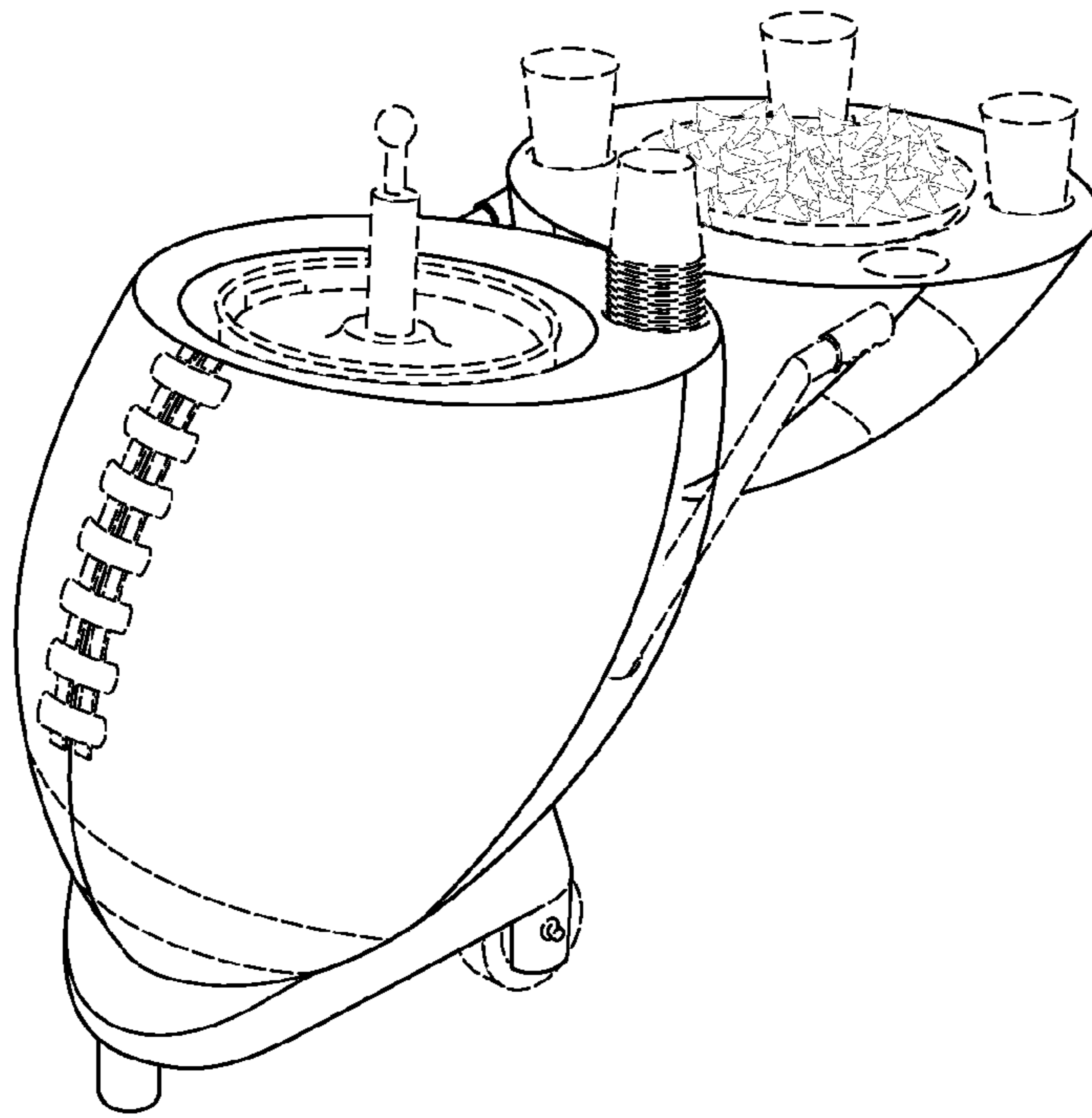


FIG. 8

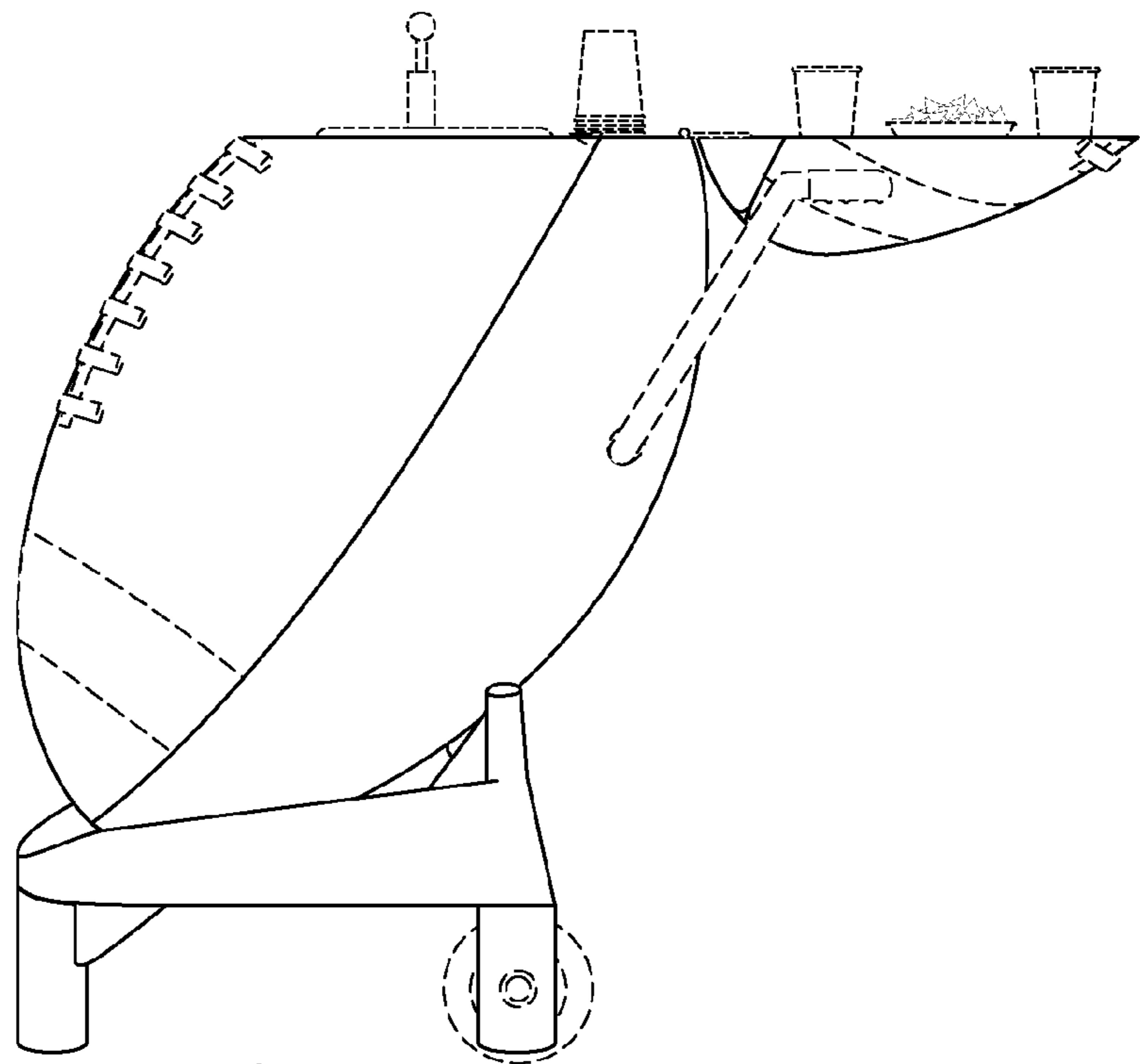


FIG. 9