



US00D666044S

(12) **United States Design Patent**
Todd

(10) **Patent No.:** **US D666,044 S**

(45) **Date of Patent:** **** Aug. 28, 2012**

(54) **FRAME FOR A MODULAR ANTI-FATIGUE FLOOR MAT ASSEMBLY**

(75) Inventor: **Curtis L. Todd**, St. Louis, MO (US)

(73) Assignee: **Magnet Works, Ltd.**, St. Louis, MO (US)

(**) Term: **14 Years**

(21) Appl. No.: **29/362,576**

(22) Filed: **May 27, 2010**

(51) **LOC (9) Cl.** **06-11**

(52) **U.S. Cl.** **D6/582**

(58) **Field of Classification Search** D5/1, 2,
D5/11, 12, 32, 37, 55, 58, 63; D6/582, 583,
D6/586, 588, 592, 594; 4/581, 582; 5/420;
15/215; 66/169 R; 428/32, 66.5, 112, 187,
428/221, 542.2

See application file for complete search history.

(56) **References Cited**

U.S. PATENT DOCUMENTS

1,327,755	A *	1/1920	Cowles	428/44
D58,941	S *	9/1921	Richards	D6/583
1,455,484	A *	5/1923	Grenda	118/271
1,756,380	A *	4/1930	Osborn	428/71
2,057,162	A *	10/1936	Richey	428/77
D106,952	S *	11/1937	Rosen	D6/612
3,066,646	A *	12/1962	Bramley	119/526
3,156,957	A	11/1964	Moeckel	
D222,101	S *	9/1971	Bagne	D6/583
3,665,543	A *	5/1972	Nappi	15/215
3,909,996	A	10/1975	Ettlinger, Jr. et al.	
D263,541	S *	3/1982	Yamazaki et al.	D6/583
D265,704	S *	8/1982	Yamamoto et al.	D6/583
D265,705	S *	8/1982	Yamazaki et al.	D6/583
4,347,931	A *	9/1982	Ginger et al.	206/438
4,609,580	A *	9/1986	Rockett et al.	428/198
D292,357	S *	10/1987	Narain	D7/554.3
4,710,415	A	12/1987	Slosberg et al.	

(Continued)

OTHER PUBLICATIONS

<http://www.magnetworks.com/LandingMatMates.aspx>; Indoor Comfort Tray; website dated 2009; search of Magnet Works and MatMates on Nov. 12, 2011.*

(Continued)

Primary Examiner — Karen S Acker

(74) *Attorney, Agent, or Firm* — Nixon Peabody LLP

(57) **CLAIM**

The ornamental design for a “frame for a modular anti-fatigue floor mat assembly,” as shown and described.

DESCRIPTION

FIG. 1 is an elevated perspective view of a frame for a modular anti-fatigue floor mat assembly showing the design in a position of use with a top mat placed upon the design. The top mat forms no part of the claimed design.

FIG. 2 is an elevated perspective view of the design of FIG. 1 shown in a condition of use with the top mat partially removed. The top mat forms no part of the claimed design.

FIG. 3 is a plan view of the frame for a modular anti-fatigue floor mat assembly of FIG. 1.

FIG. 4 is a left side-view thereof.

FIG. 5 is a rear-end view thereof.

FIG. 6 is a sectional right-side view thereof taken along line 6-6 of FIG. 3.

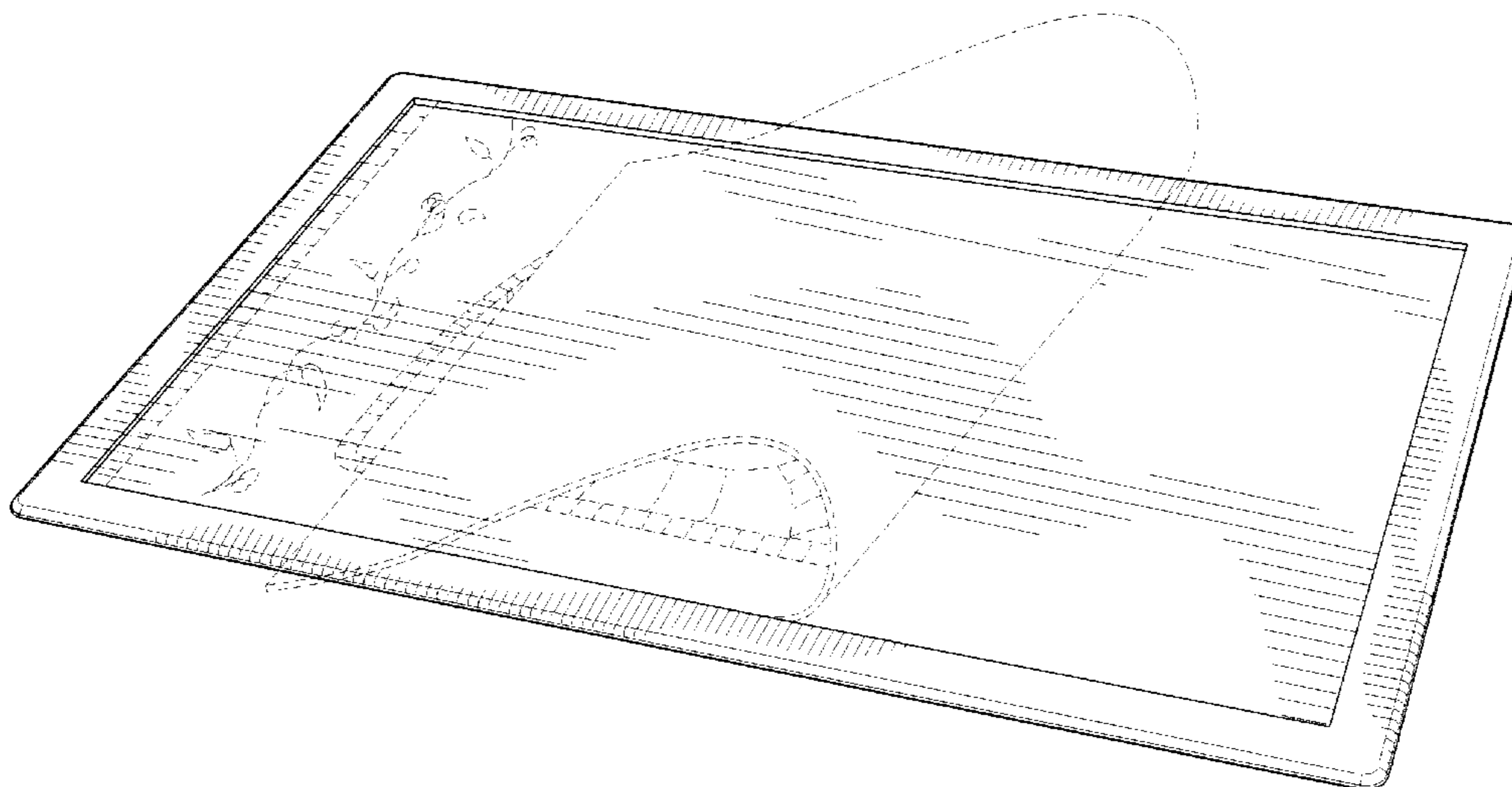
FIG. 7 is a sectional front-end view thereof taken along line 7-7 of FIG. 3.

FIG. 8 is a bottom view thereof.

FIG. 9 is an enlarged detail of the design shown in FIG. 4; and, FIG. 10 is an enlarged detail of the design shown in FIG. 7.

The broken lines in the drawings represent environmental structure that forms no part of the claimed design.

1 Claim, 5 Drawing Sheets



US D666,044 S

Page 2

U.S. PATENT DOCUMENTS

4,978,568 A * 12/1990 Postma 428/192
5,028,468 A 7/1991 Taylor
5,069,951 A * 12/1991 Egan 428/172
D350,253 S * 9/1994 Livingstone et al. D6/583
5,362,544 A * 11/1994 Reuben 428/82
D356,228 S * 3/1995 Sano D6/583
5,626,937 A * 5/1997 Morikawa et al. 428/76
5,848,830 A * 12/1998 Castle et al. 362/84
5,850,716 A 12/1998 Thompson et al.
D403,547 S * 1/1999 Adkins D6/582
5,962,350 A * 10/1999 Krotine 442/370
6,150,444 A 11/2000 Brodeur, Jr. et al.
6,165,591 A * 12/2000 Krauss 428/192
6,382,350 B1 * 5/2002 Jezewski et al. 181/290
6,420,015 B1 7/2002 Nord et al.
D474,537 S * 5/2003 Hantke et al. D24/124
6,589,631 B1 7/2003 Suzuki et al.
6,599,615 B2 7/2003 Burke, III et al.
D478,452 S * 8/2003 Kafka et al. D6/583
6,719,248 B2 4/2004 Lamont
6,851,141 B2 2/2005 McMahan
6,921,502 B1 7/2005 Nord et al.
6,968,634 B2 11/2005 Dombowsky
7,024,721 B2 * 4/2006 McKay 15/215
D520,797 S 5/2006 Bosworth
7,175,899 B2 2/2007 Kessler
D538,576 S * 3/2007 Bartell et al. D6/616
D548,663 S * 8/2007 Thomas D12/203
7,575,796 B2 8/2009 Scott et al.
D603,641 S * 11/2009 Hakansson et al. D6/583
7,670,026 B1 * 3/2010 Hawkins 362/249.05
D635,829 S * 4/2011 Morrish et al. D7/624.1
2002/0092261 A1 * 7/2002 Rockwell et al. 52/745.05

2002/0119275 A1 8/2002 Williamson
2003/0106241 A1 6/2003 Marden et al.
2004/0091674 A1 5/2004 Altshuler
2004/0137195 A1 7/2004 Stephens, Jr.
2006/0172122 A1 8/2006 Polley
2006/0236487 A1 * 10/2006 Dean 15/215
2008/0078028 A1 4/2008 McMahan
2008/0113170 A1 5/2008 McMahan
2009/0280295 A1 11/2009 Prince et al.

OTHER PUBLICATIONS

http://www.amazon.com/Magnet-Works-MatMates-Snowman-Doormat/dp/B002RZZXBM/ref=pd_bxgy_sg_img_b; MatMates Starry Snowman Doormat; MatMate Rubber Tray-Scroll Doormat; website dated 1996-2011; search of Magnet Works and MatMates on Nov. 12, 2011.*
<http://www.amazon.com/Comfort-Tray-Mat-Mates-Kitchen/dp/B0043JOWQ2>; Comfort Tray for Mat Mates Kitchen Rug; website dated 1996-2011; search of Magnet Works and MatMates on Nov. 12, 2011.*
Magnet Works, Ltd.; MatMates Accessories; downloaded Apr. 6, 2010, from http://www.magnetnetworks.com/product_line.aspx?category=-20102; (publicly available 1 year prior to filing); (2 pages).
Magnet Works, Ltd.; MatMates Themes Golf; downloaded Apr. 6, 2010 from http://www.magnetnetworks.com/product_line.aspx?category=-20120&parent=-20108; (publicly available 1 year prior to filing); (1 page).
A Apache At Home, ComfortChef™, Make Sure you do it in comfort . . . ; Dated 2009; (2 pages).

* cited by examiner

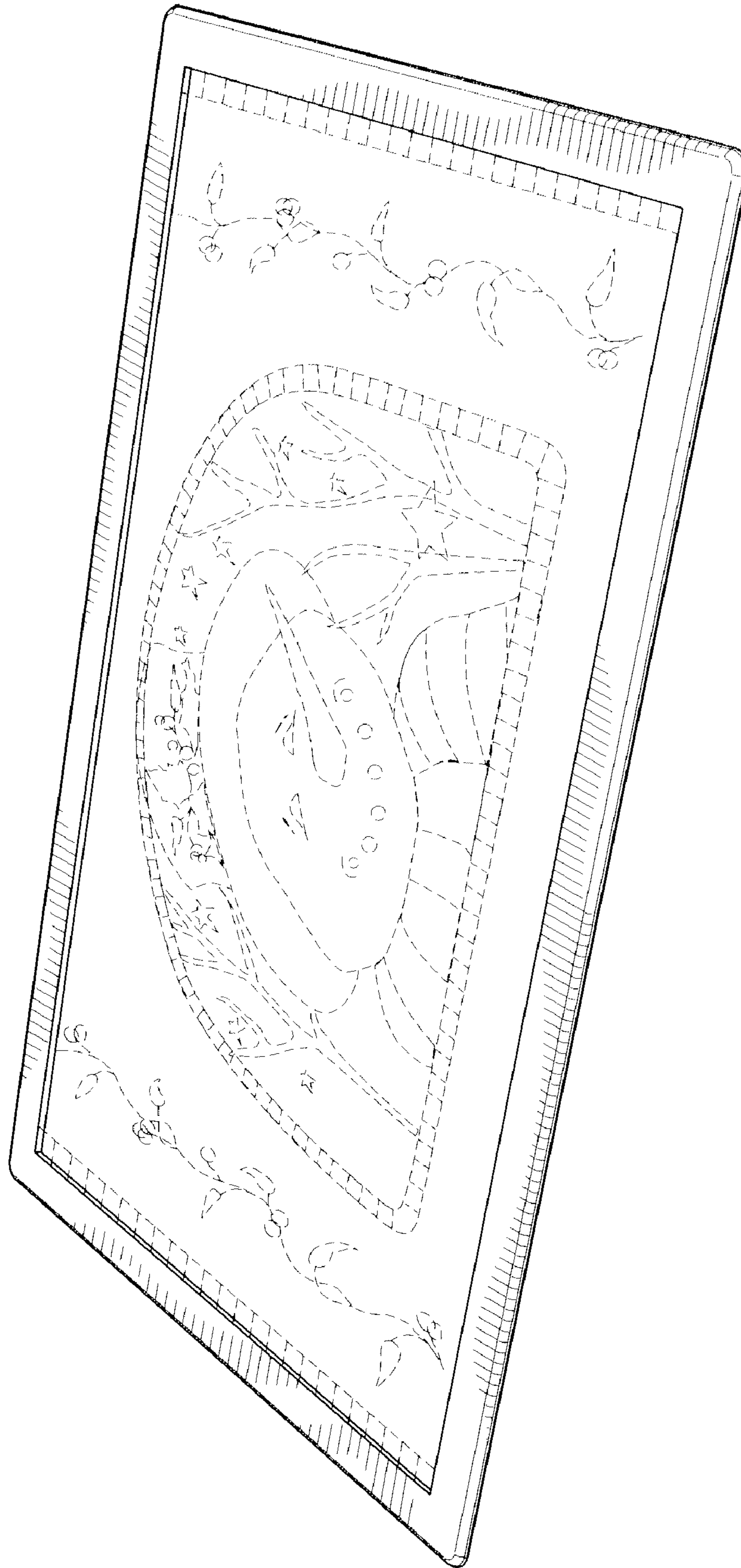


FIG. 1

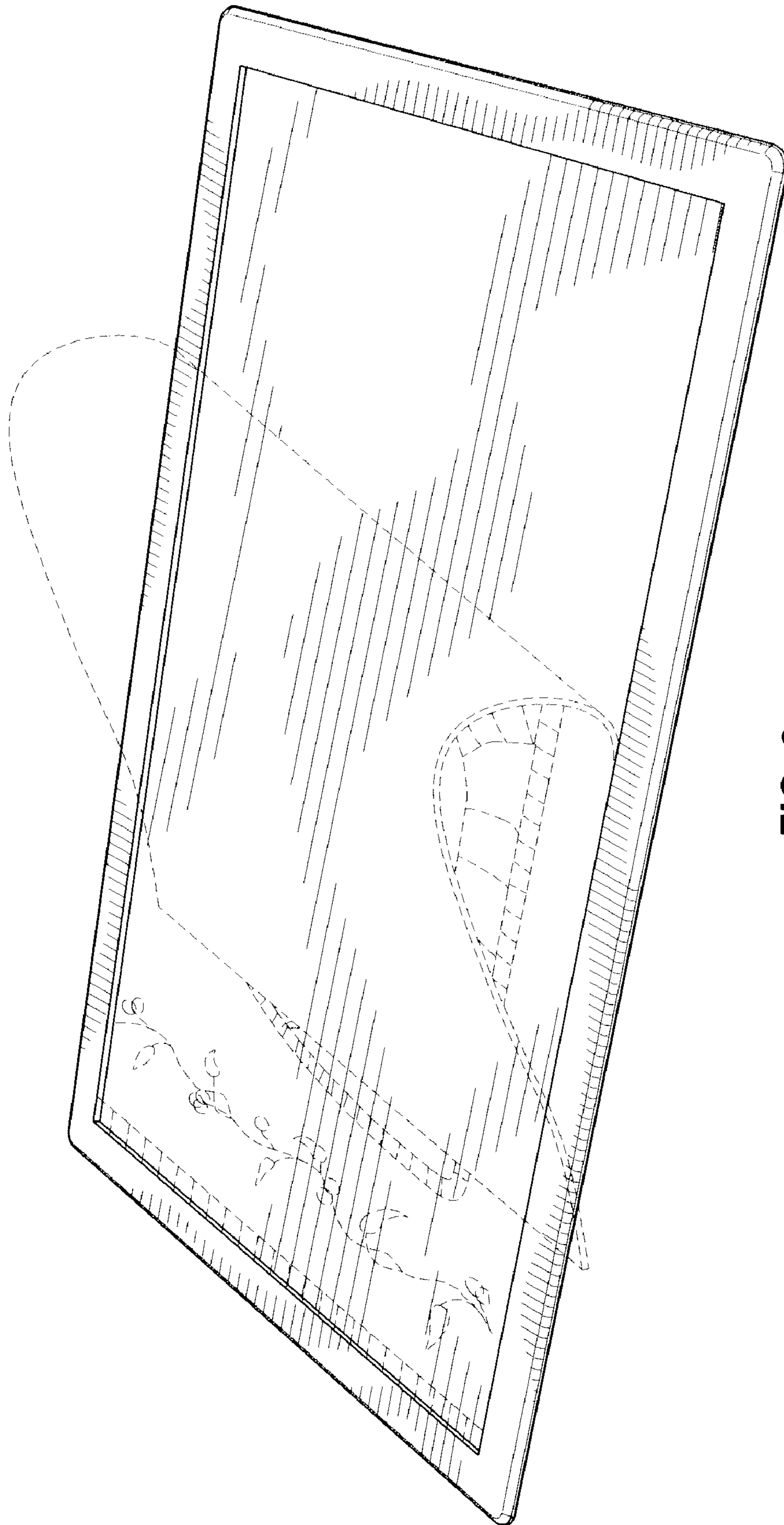


FIG. 2

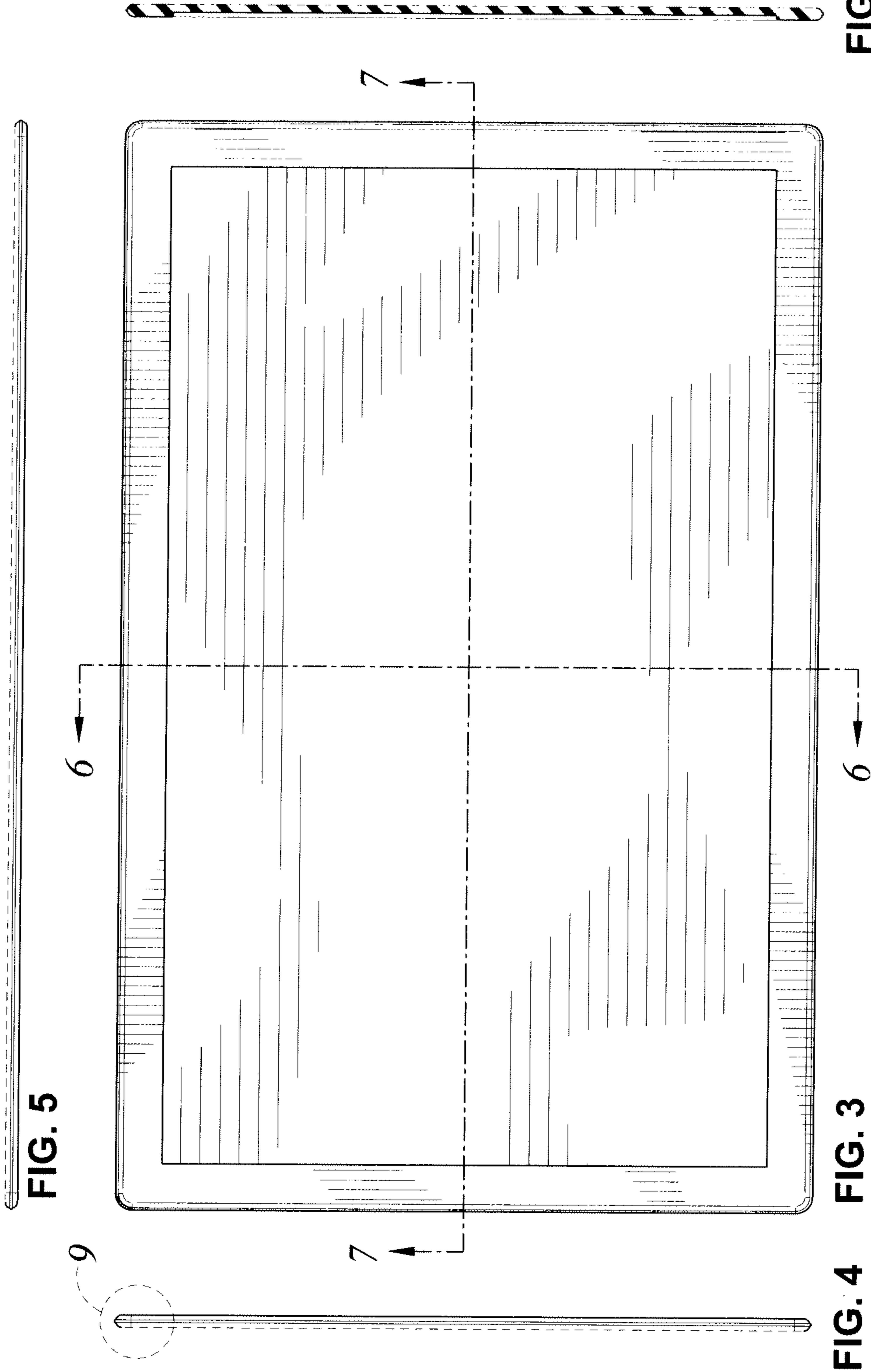


FIG. 5

FIG. 3

FIG. 4

FIG. 6

FIG. 7

9

7

6

6

7

10

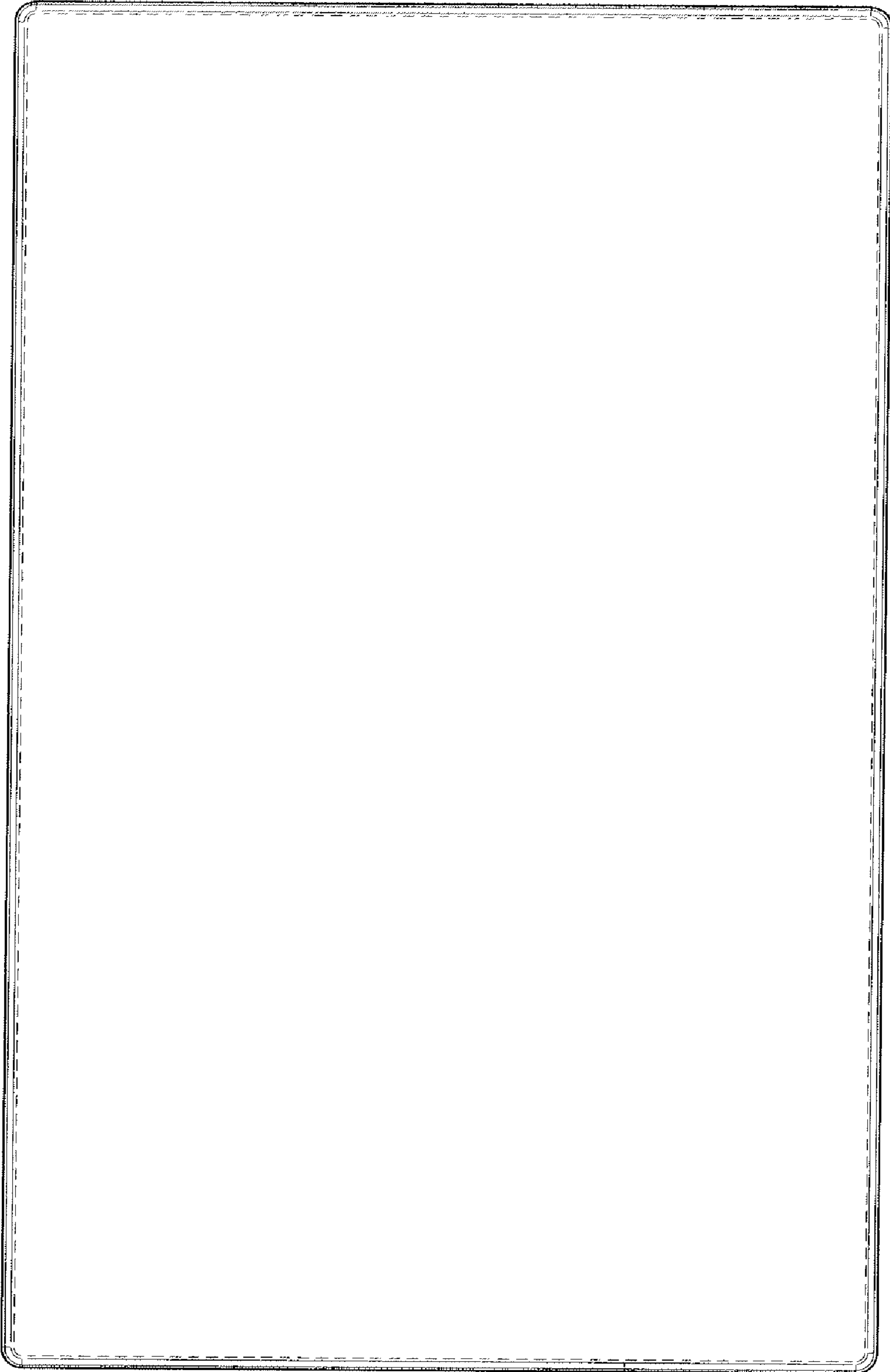


FIG. 8

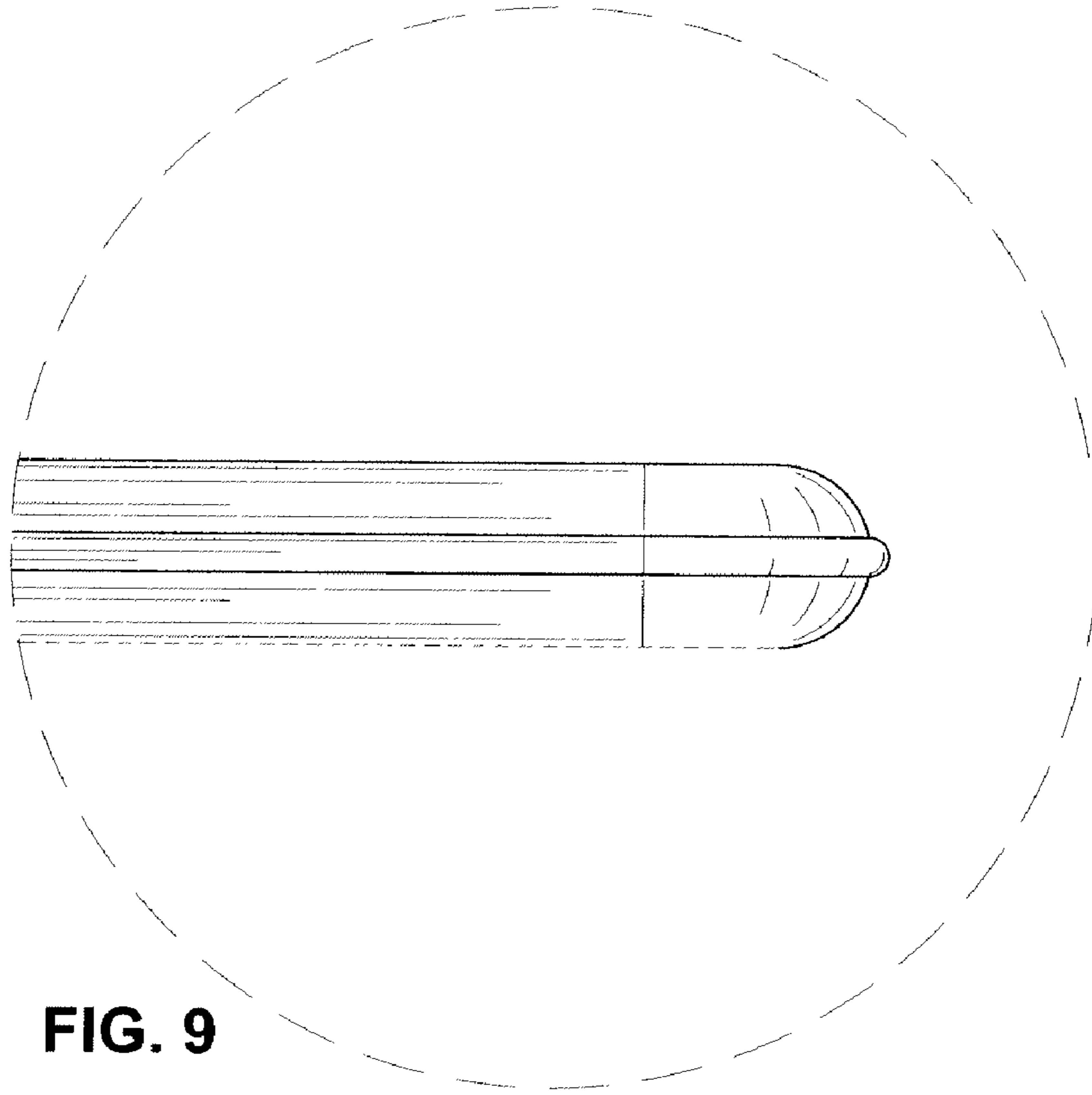


FIG. 9

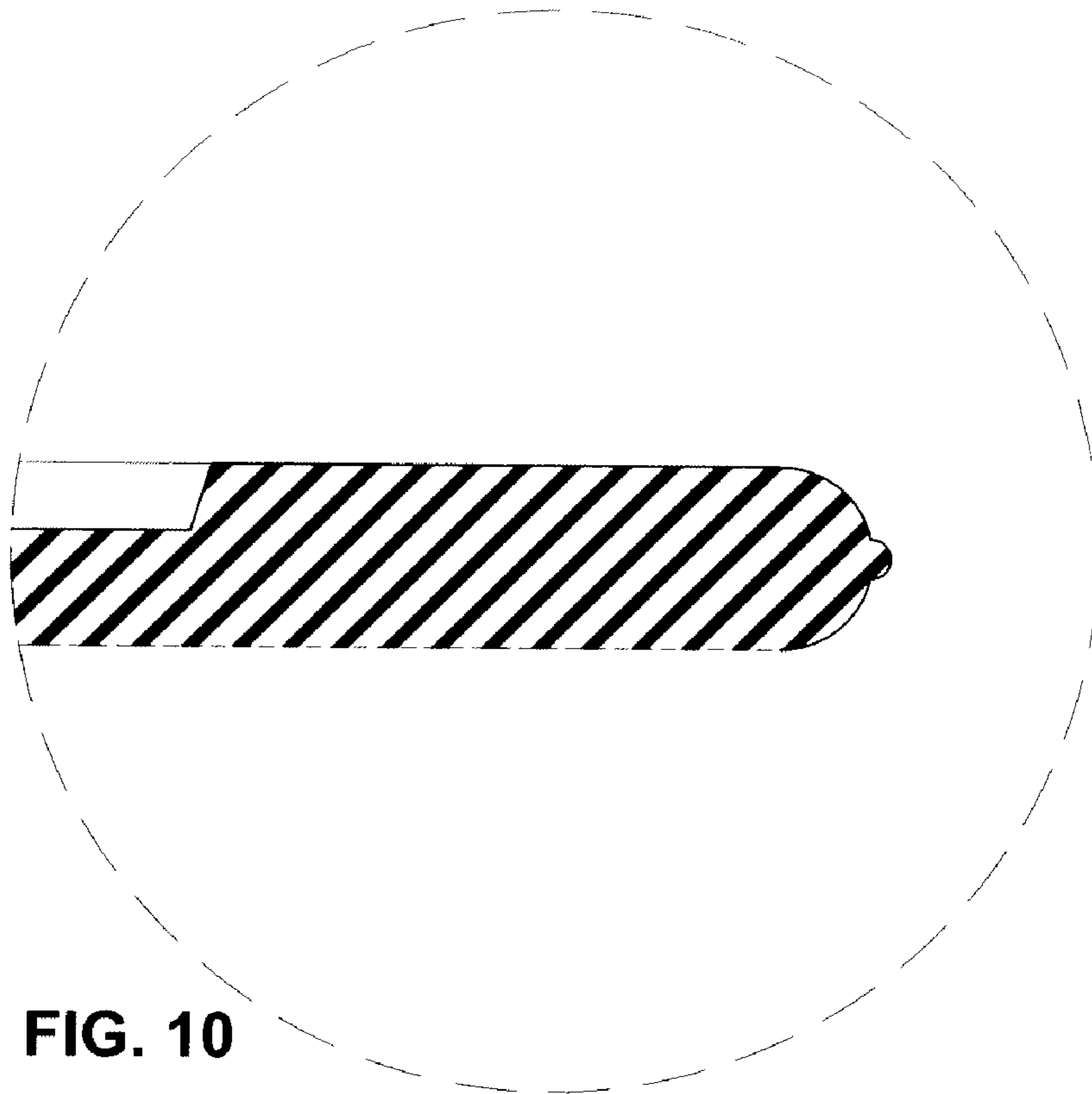


FIG. 10