

US00D666042S

(12) **United States Design Patent**
Blakley

(10) **Patent No.:** **US D666,042 S**

(45) **Date of Patent:** **** Aug. 28, 2012**

(54) **TOWEL SUPPORT WITH INTEGRATED GRAB BAR**

(75) Inventor: **Scott Blakley**, Strongsville, OH (US)

(73) Assignee: **Lifetime Products, Inc.**, Clearfield, UT (US)

(**) Term: **14 Years**

(21) Appl. No.: **29/392,023**

(22) Filed: **May 16, 2011**

(51) **LOC (9) Cl.** **06-04**

(52) **U.S. Cl.** **D6/548; D23/304**

(58) **Field of Classification Search** D6/546-550, D6/524; 248/205.1, 213.1; 211/16, 85.29, 211/86.01, 87.01, 88.04, 106, 119.004, 181.1, 211/182; D23/271, 303, 304; D8/300, 303, D8/315-316, 349, 363; 4/571.1, 573.1
See application file for complete search history.

(56) **References Cited**

U.S. PATENT DOCUMENTS

D128,790 S * 8/1941 Sanford D6/548
D377,571 S * 1/1997 Sharpe D6/548

6,024,231 A * 2/2000 Bates D6/549
D569,153 S * 5/2008 Bickler et al. D6/548
D631,273 S * 1/2011 O'Brien et al. D6/546
D646,765 S * 10/2011 Gilbert D23/304

* cited by examiner

Primary Examiner — Brian N Vinson

(74) *Attorney, Agent, or Firm* — Kunzler Law Group, PC

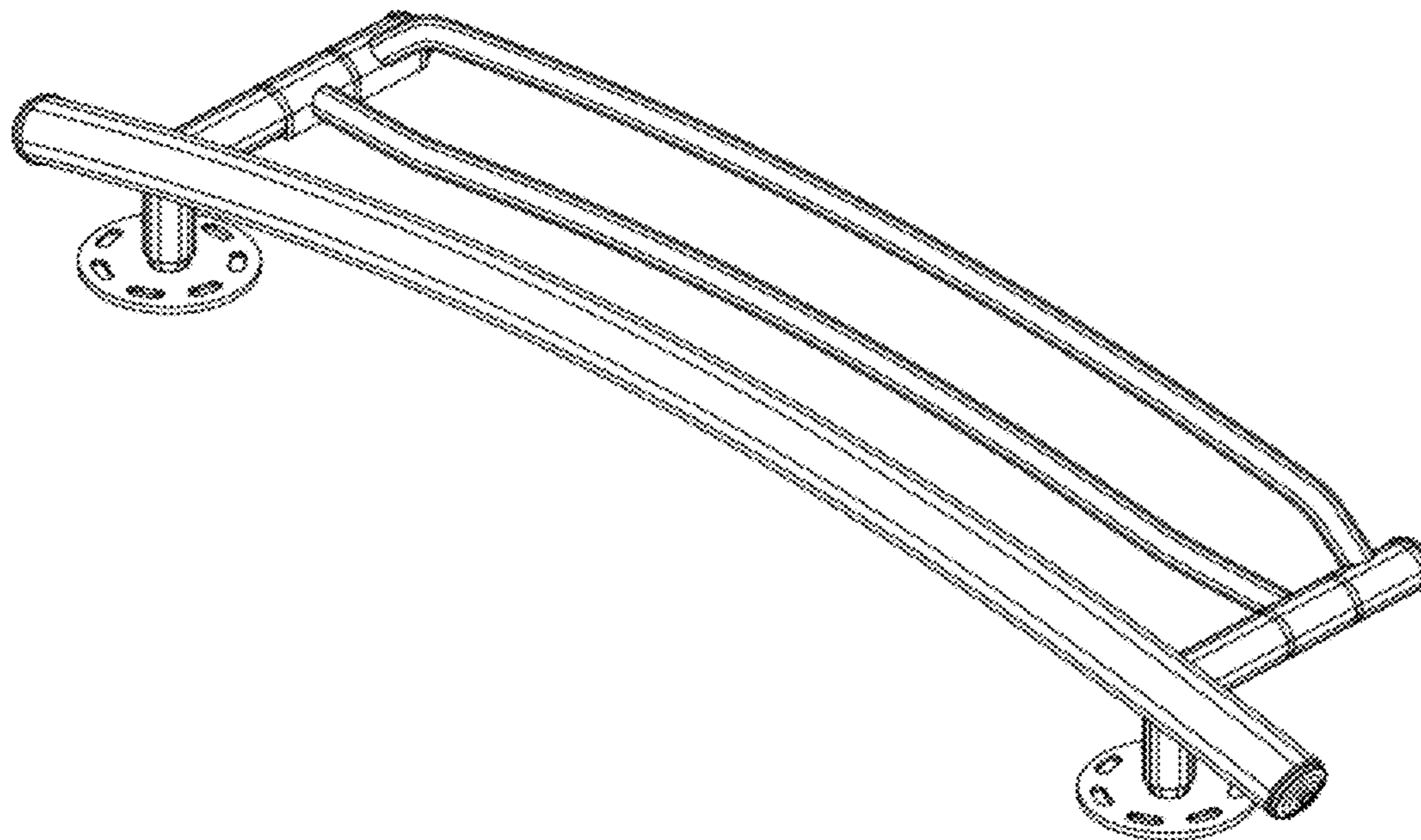
(57) **CLAIM**

The ornamental design for a towel support with integrated grab bar, as shown and described.

DESCRIPTION

FIG. 1 is a top, front, and left side perspective view of a towel support with integrated grab bar showing my new design; FIG. 2 is a bottom, rear, and right side perspective view thereof; FIG. 3 is an enlarged front elevational view thereof; FIG. 4 is an enlarged rear elevational view thereof; FIG. 5 is a further enlarged right side elevational view thereof; FIG. 6 is a further enlarged left side elevational view thereof; FIG. 7 is an enlarged top plan view thereof; and, FIG. 8 is an enlarged bottom plan view thereof.

1 Claim, 8 Drawing Sheets



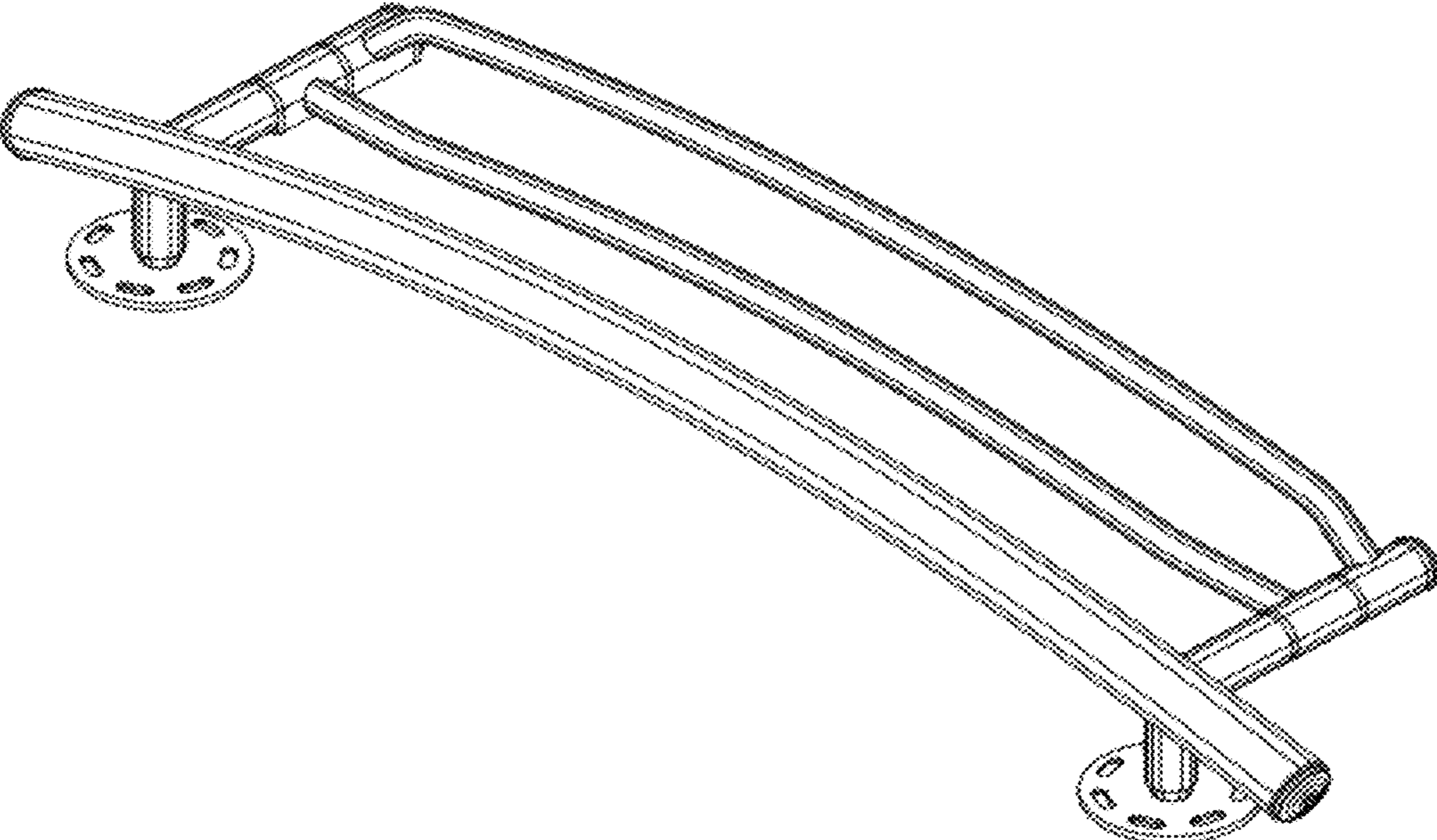


FIG. 1

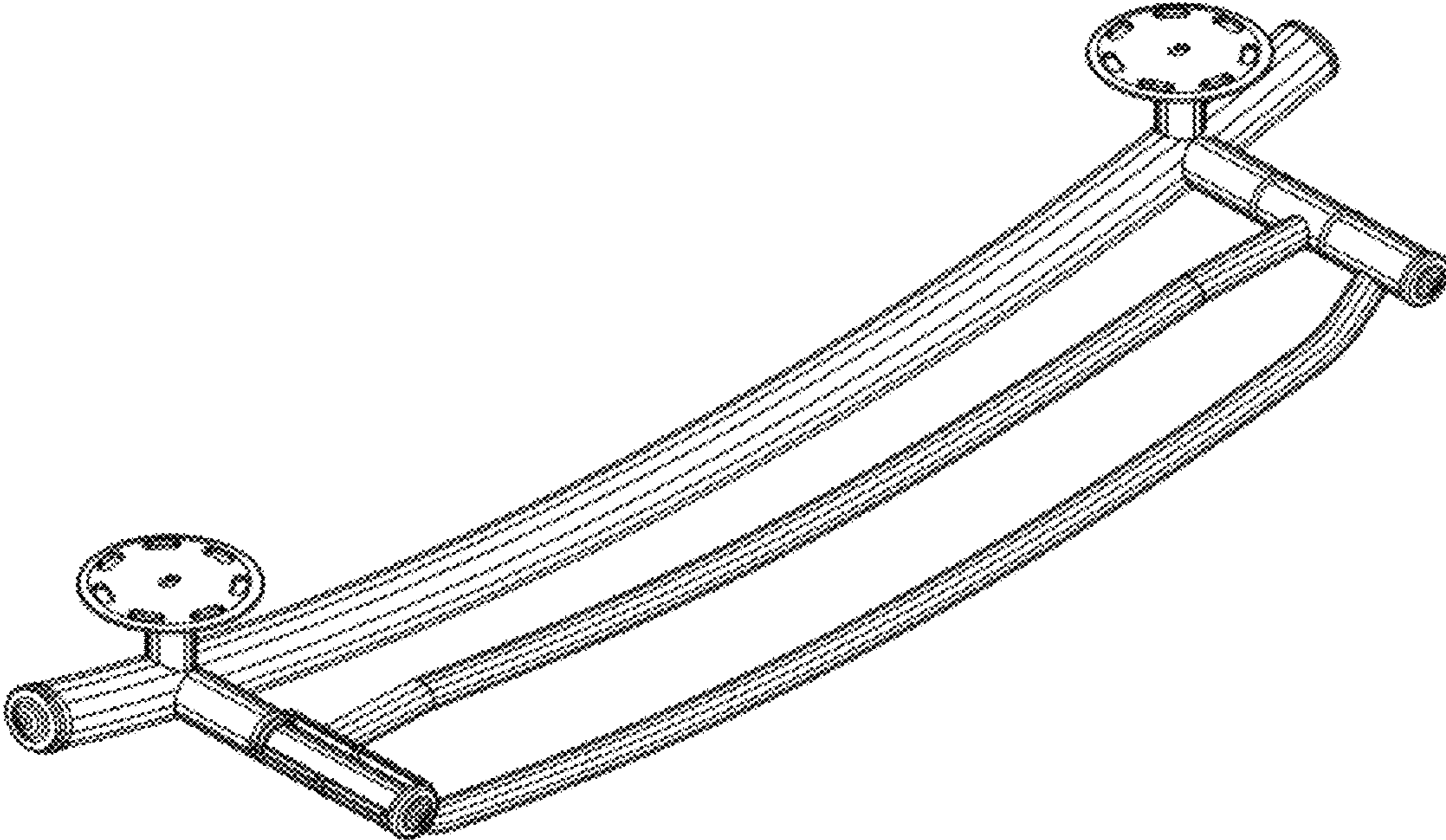


FIG. 2

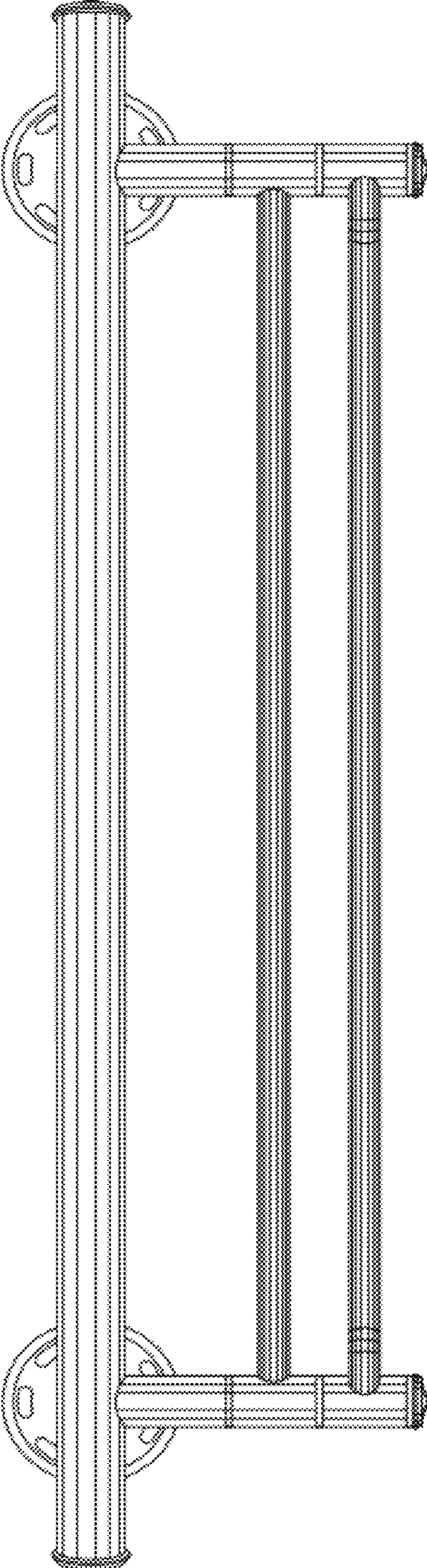


FIG. 3

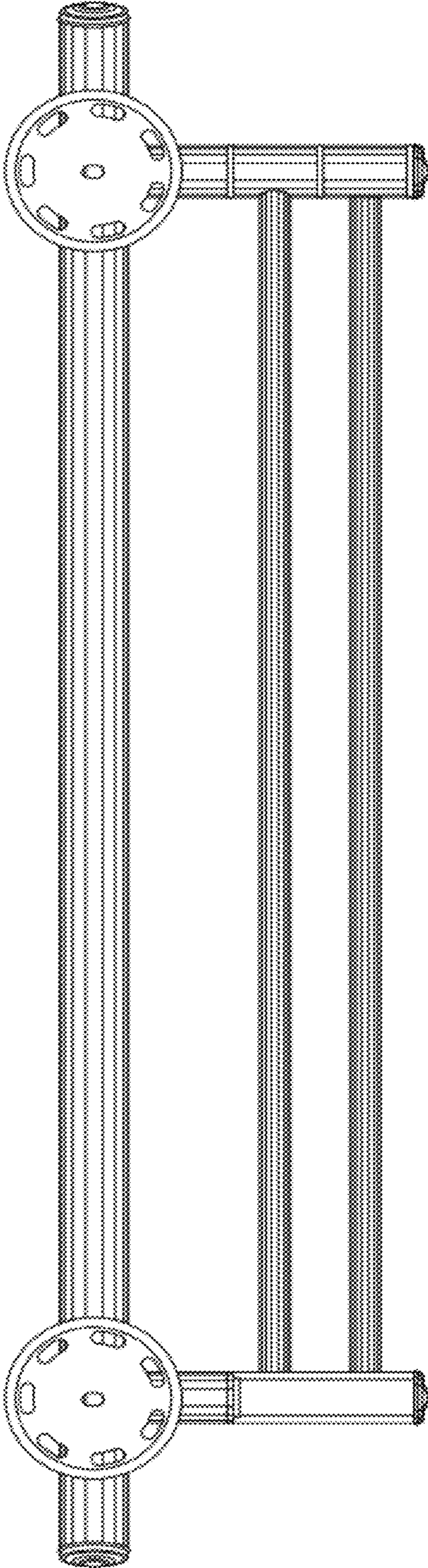


FIG. 4

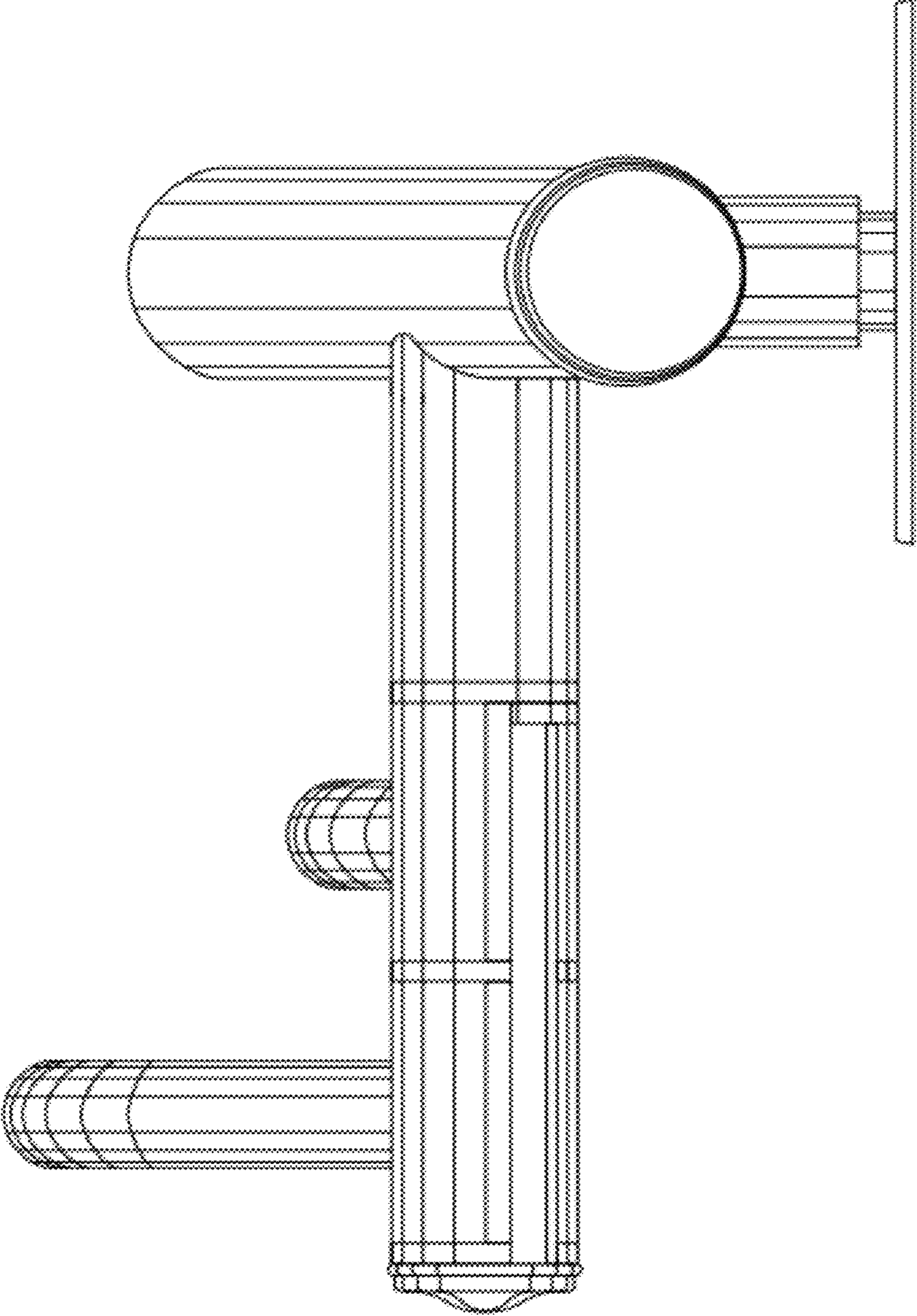


FIG. 5

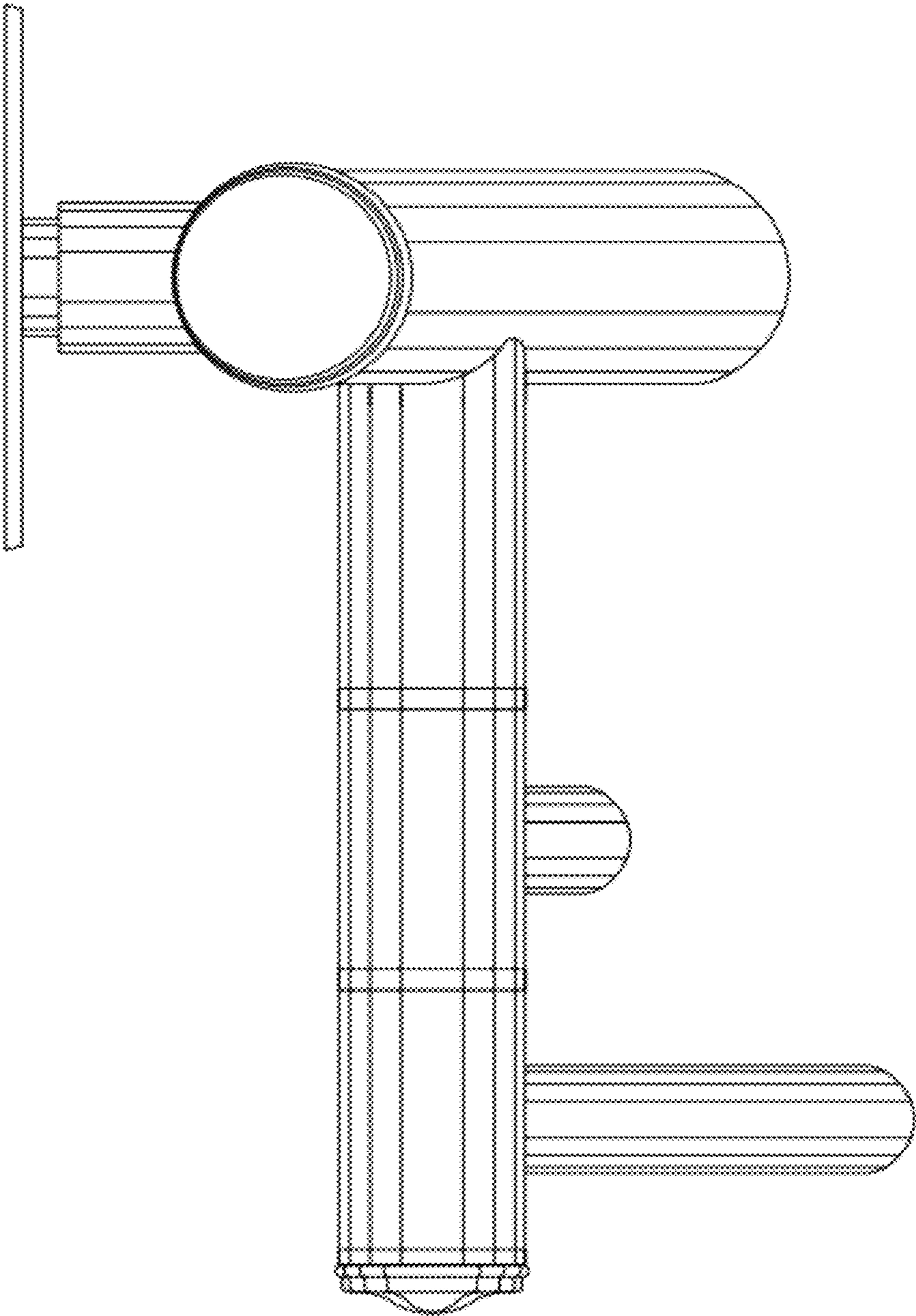


FIG. 6

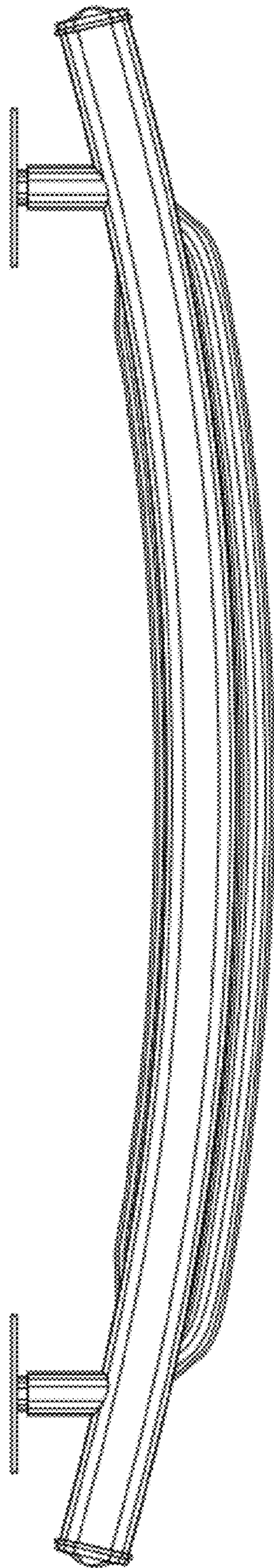


FIG. 7

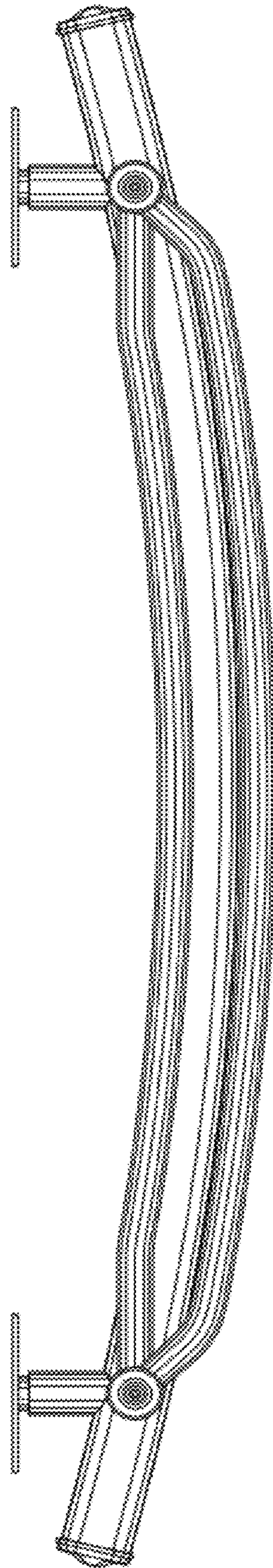


FIG. 8