



US00D666041S

(12) **United States Design Patent**  
**Hwang**

(10) **Patent No.:** **US D666,041 S**

(45) **Date of Patent:** **\*\* Aug. 28, 2012**

(54) **SELF DRAINING SOAP DISH**

(76) Inventor: **Suhyun Hwang**, Fort Lee, NJ (US)

(\*\*) Term: **14 Years**

(21) Appl. No.: **29/405,509**

(22) Filed: **Nov. 2, 2011**

(51) **LOC (9) Cl.** ..... **23-02**

(52) **U.S. Cl.** ..... **D6/536**

(58) **Field of Classification Search** ..... D6/536-540,  
D6/532; D7/502, 550, 554.2; D9/682, 690,  
D9/692; 206/77.1, 557, 587, 823; 211/13.1,  
211/85.4, 85.12, 88.01; 248/176.1  
See application file for complete search history.

(56) **References Cited**

**U.S. PATENT DOCUMENTS**

1,309,965	A *	7/1919	Schwab	.....	4/628
1,536,906	A *	5/1925	Miller	.....	211/88.01
D130,579	S *	12/1941	Dreyfuss	.....	D6/536
2,505,387	A *	4/1950	Dantzer	.....	248/176.1
D286,996	S *	12/1986	Hartmann et al.	.....	D6/536
4,993,546	A *	2/1991	Southard	.....	206/77.1

D376,285	S *	12/1996	Grippe	.....	D6/536
D385,137	S *	10/1997	von Seidel	.....	D6/536
D450,965	S *	11/2001	Weinberg	.....	D6/536
D485,105	S *	1/2004	Loor	.....	D6/536

\* cited by examiner

*Primary Examiner* — Brian N Vinson

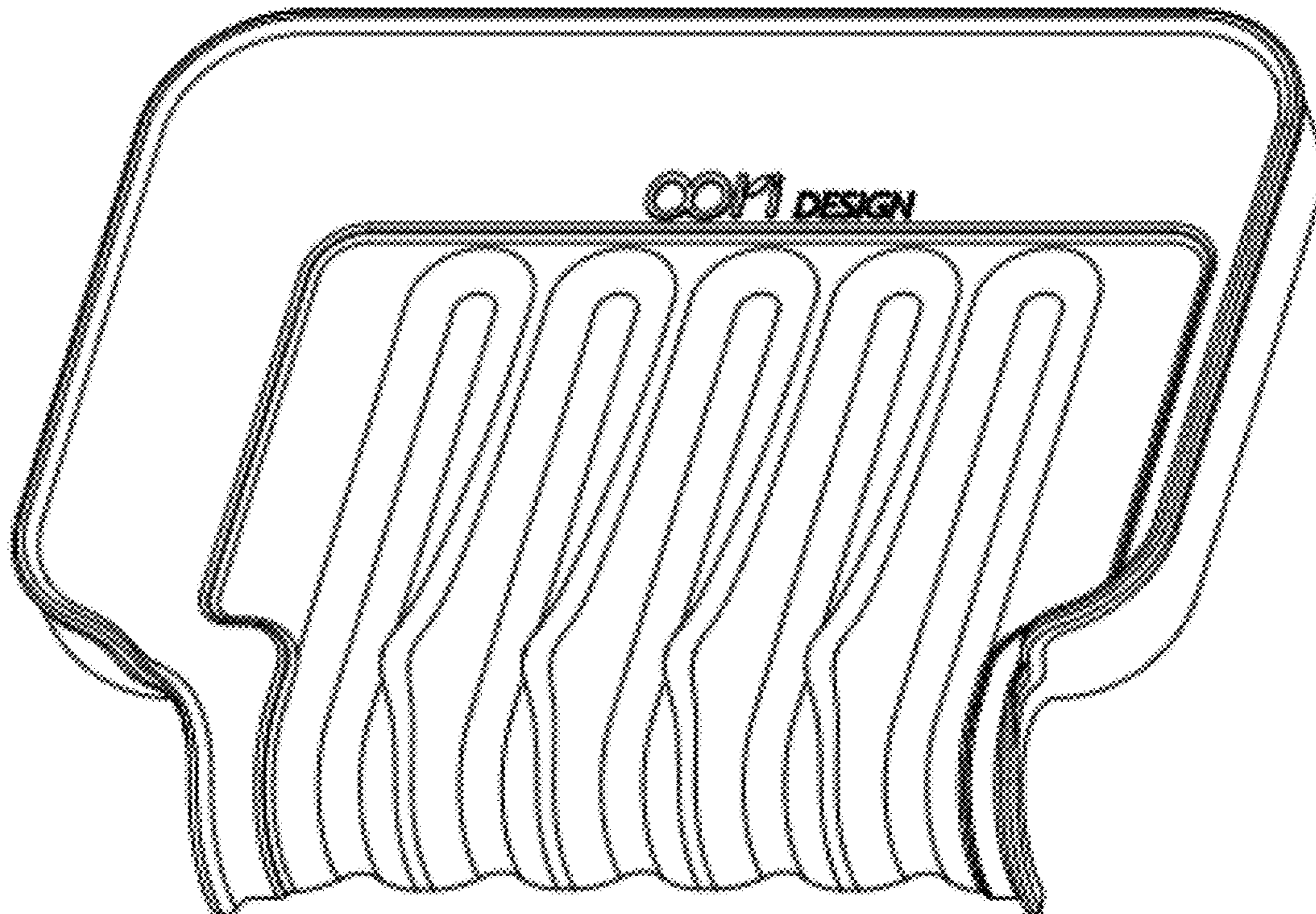
(57) **CLAIM**

The ornamental design for self draining soap dish, as shown as described.

**DESCRIPTION**

FIG. 1 is a top plan view of a self draining soap dish showing my new design;  
 FIG. 2 is a front elevational view thereof;  
 FIG. 3 is a bottom plan view thereof;  
 FIG. 4 is a right side elevational view, the left side being a mirror image thereof;  
 FIG. 5 is a rear elevational view of thereof;  
 FIG. 6 is a top, front, and right side perspective view thereof;  
 and,  
 FIG. 7 is a bottom, rear, and left side perspective view thereof.

**1 Claim, 3 Drawing Sheets**



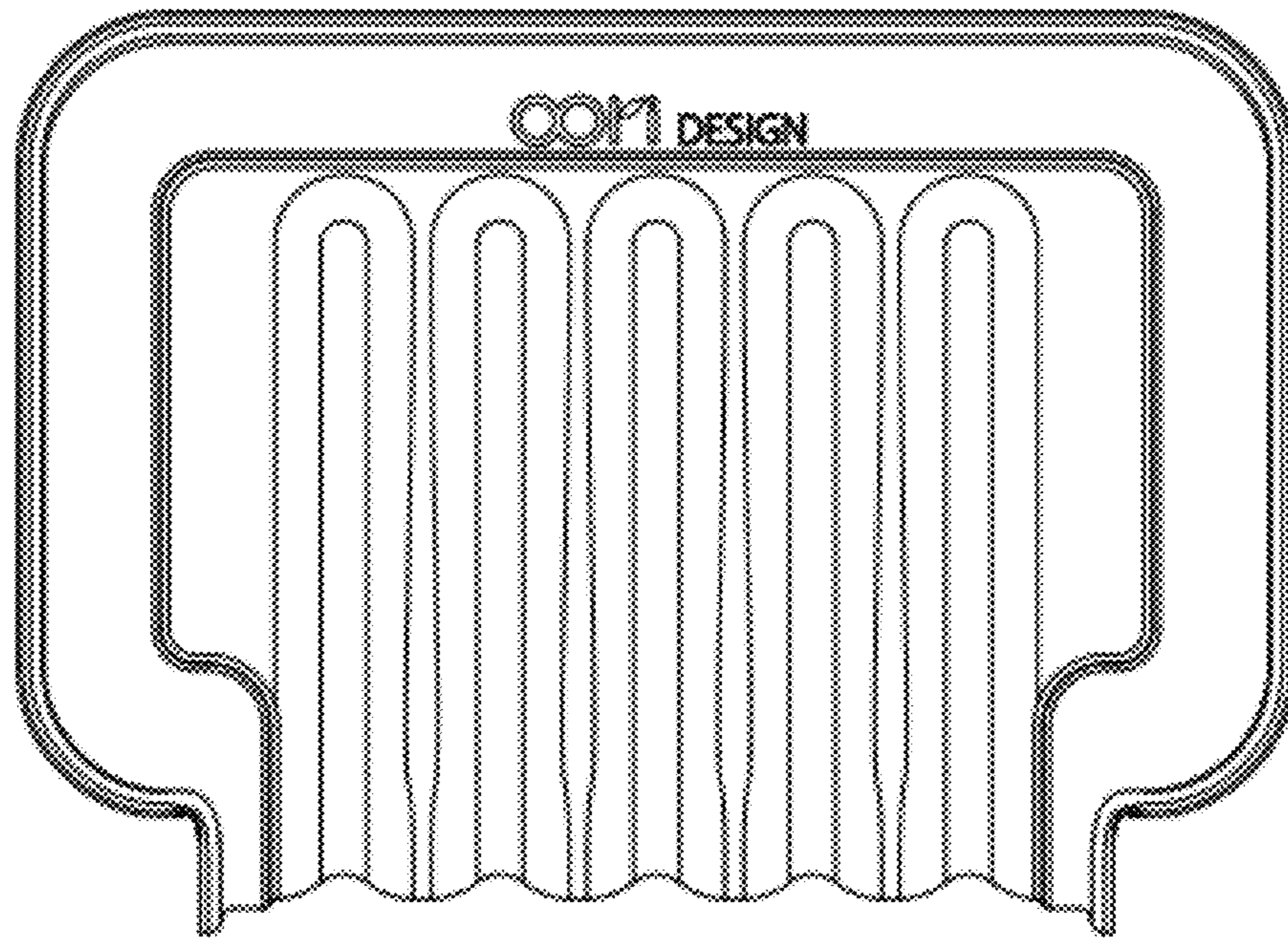


FIG. 1

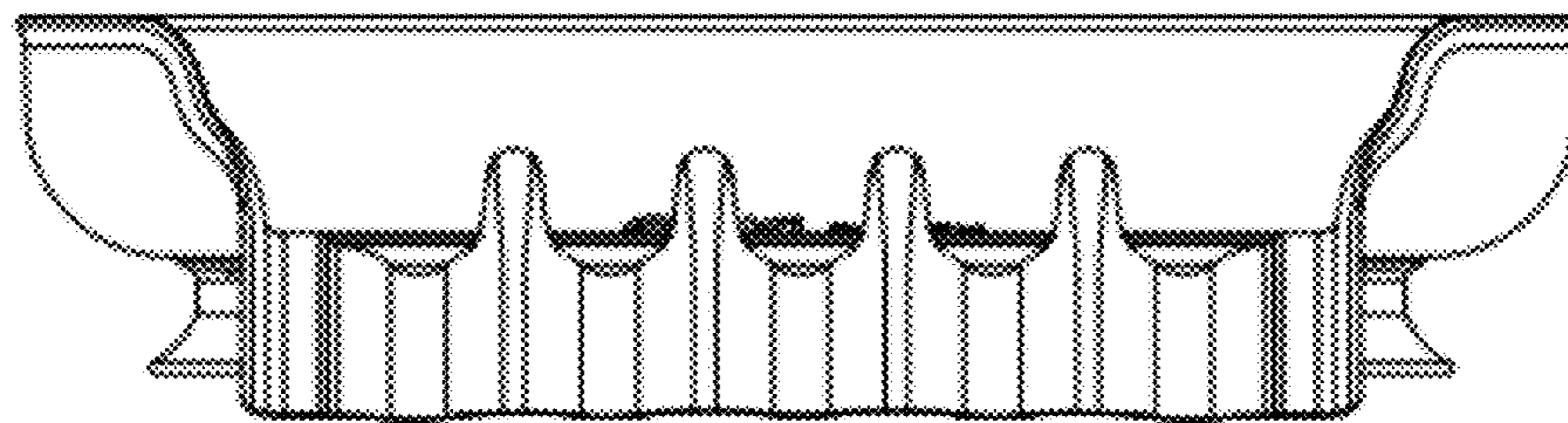


FIG. 2



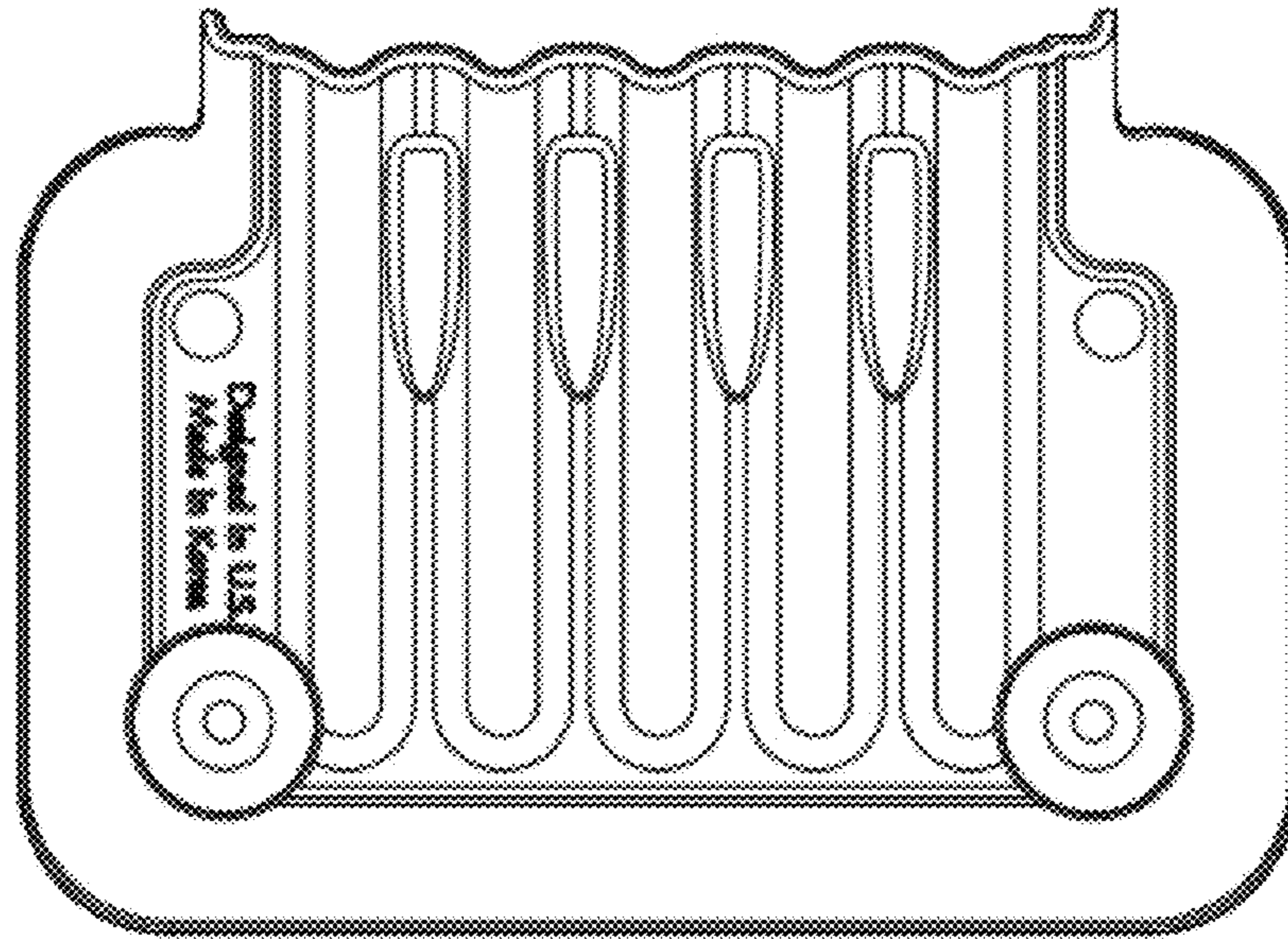


FIG. 3

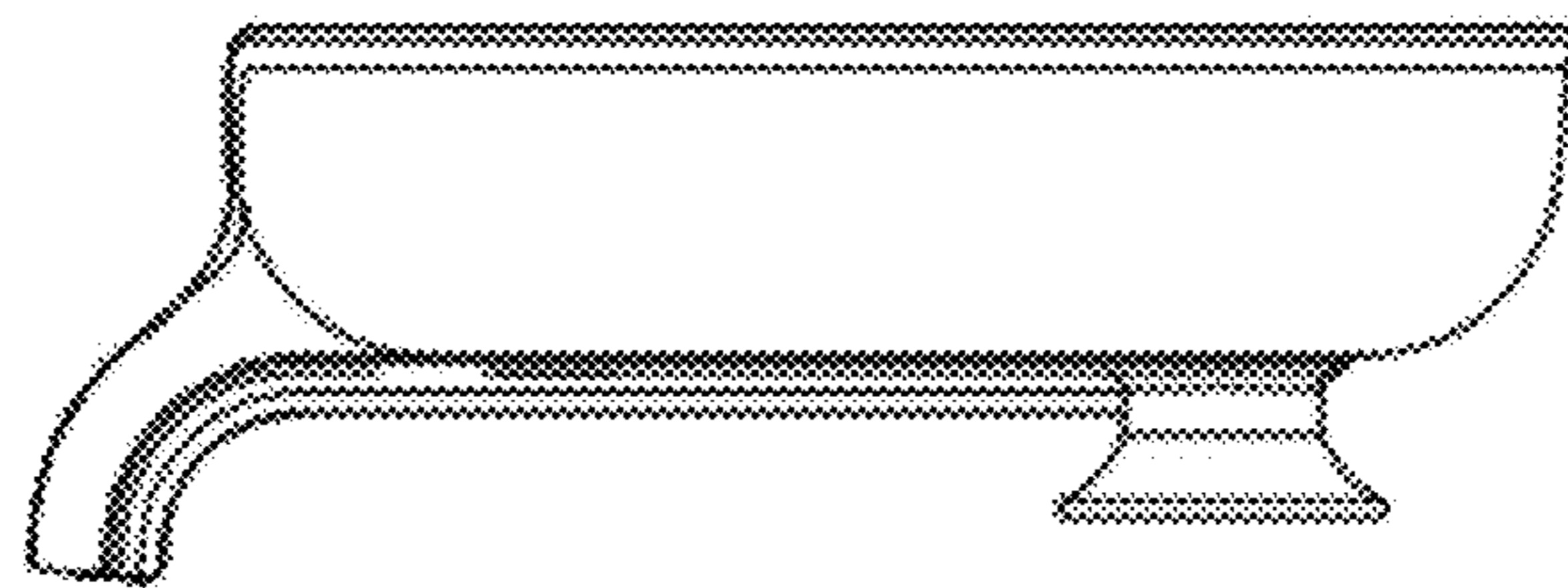


FIG. 4

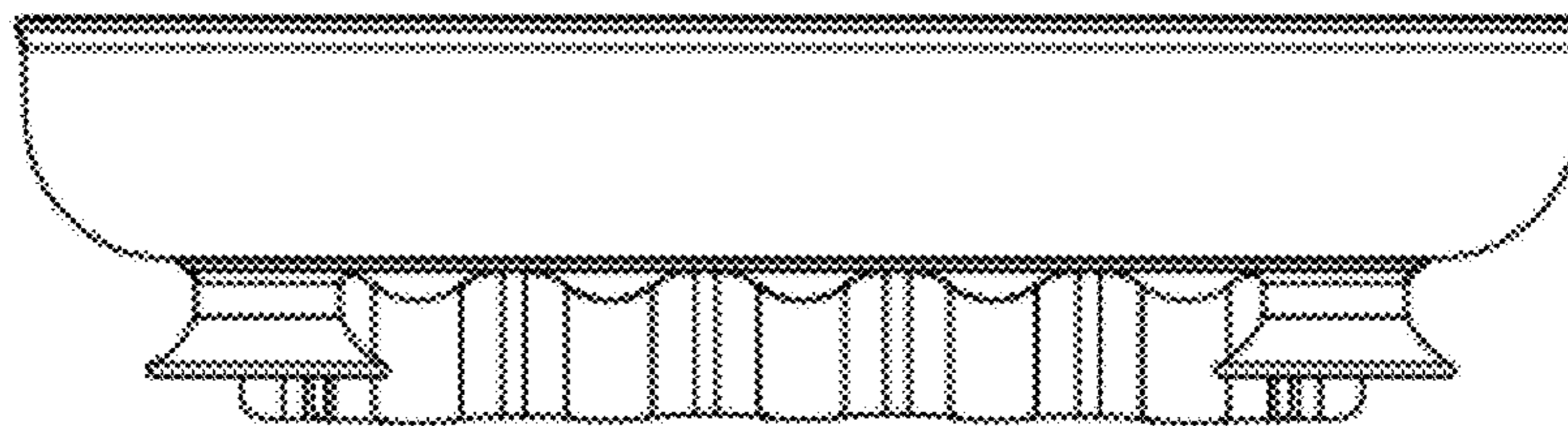


FIG. 5

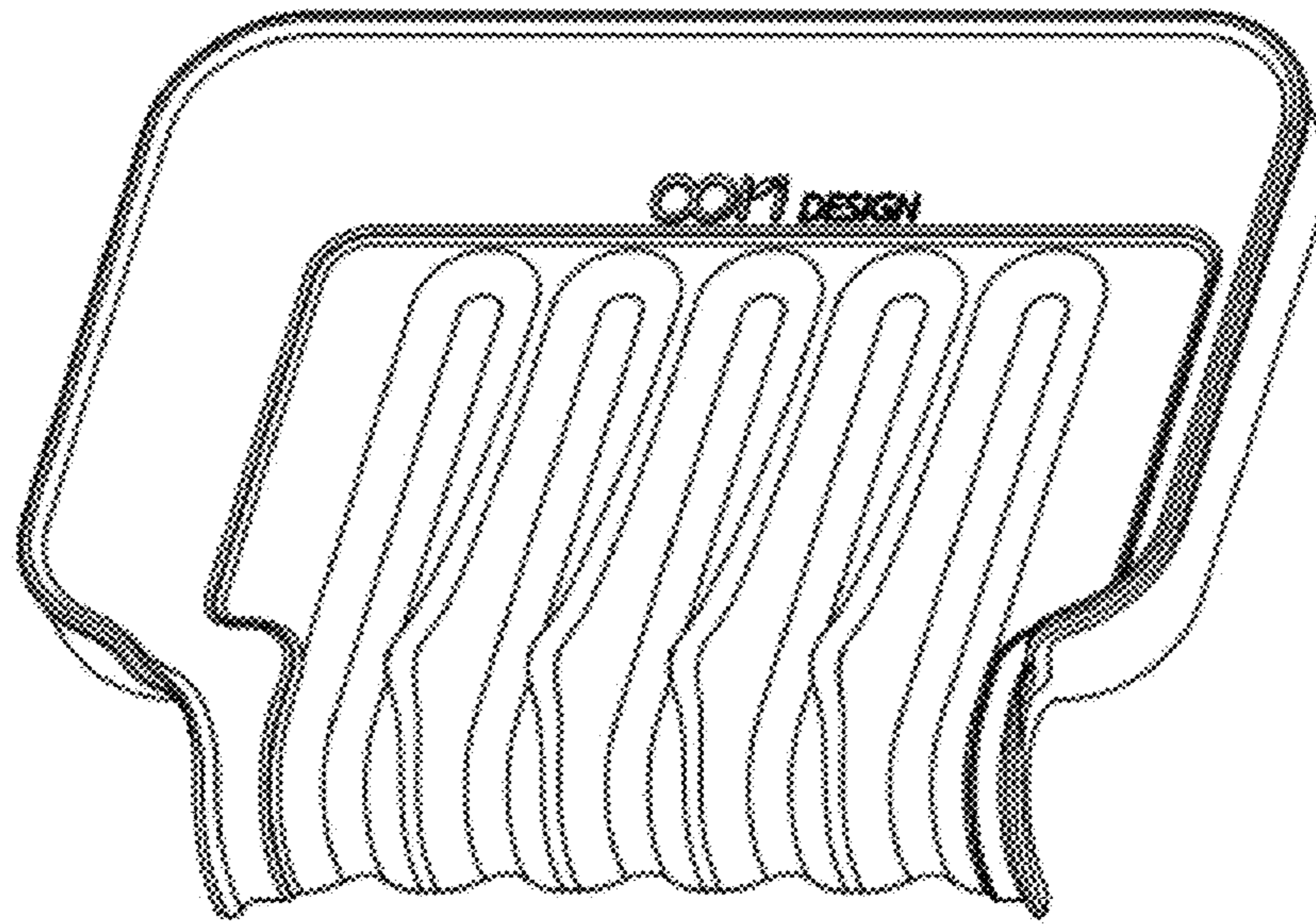


FIG. 6

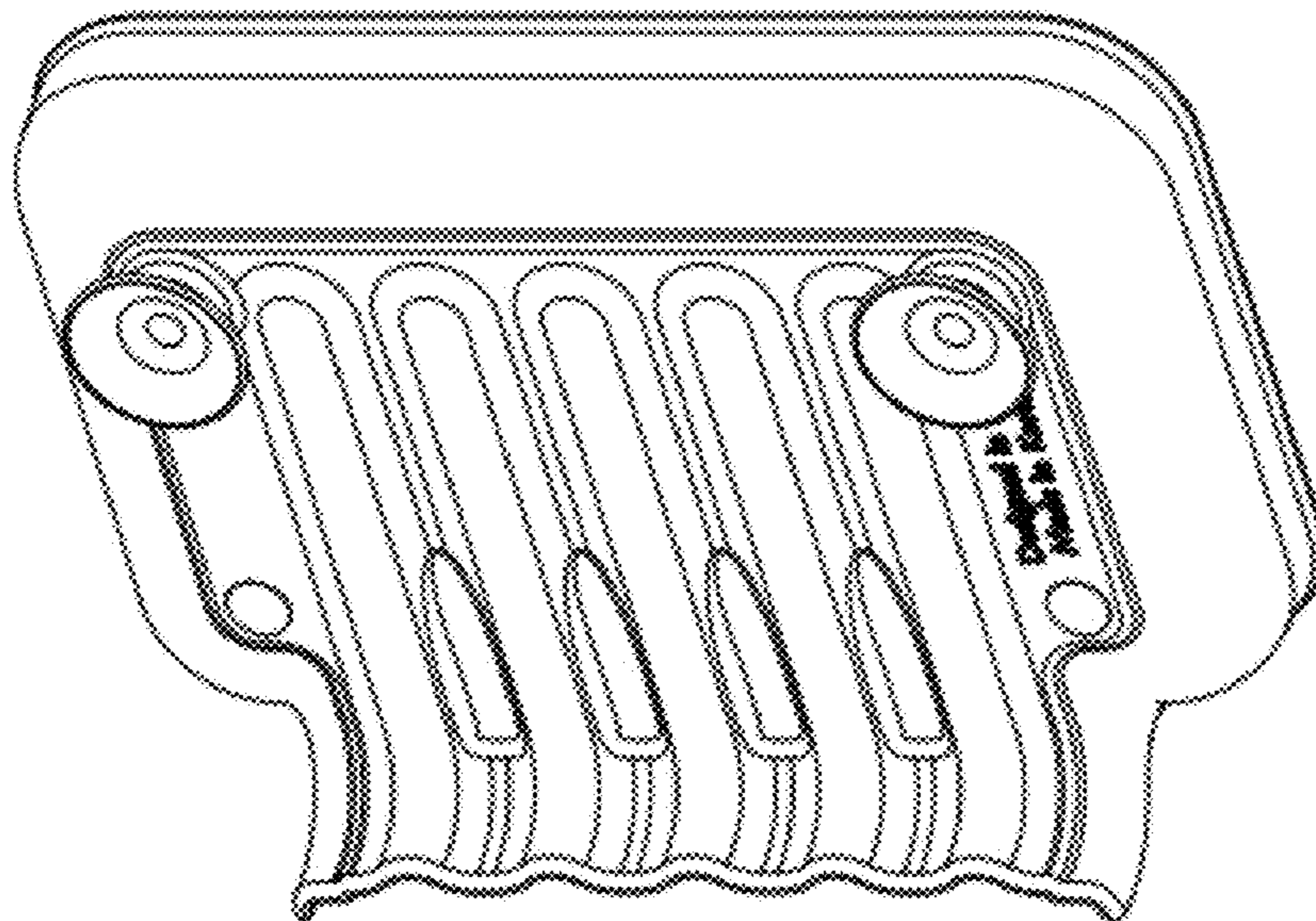


FIG. 7