

US00D666040S

(12) **United States Design Patent**
Sedwick

(10) **Patent No.:** **US D666,040 S**

(45) **Date of Patent:** **** Aug. 28, 2012**

(54) **ACCESSORY POST**

(75) Inventor: **Jennifer P. Sedwick**, Lakewood, OH (US)

(73) Assignee: **Moen Incorporated**, North Olmsted, OH (US)

(**) Term: **14 Years**

(21) Appl. No.: **29/412,165**

(22) Filed: **Jan. 31, 2012**

(51) **LOC (9) Cl.** **23-02**

(52) **U.S. Cl.** **D6/524; D6/550**

(58) **Field of Classification Search** D6/518-524, D6/546-550; D8/300, 370, 315; 108/28-29; 211/13.1, 16, 85.5, 86.01, 87.01, 88.04, 100, 211/105.1, 105.2, 106, 113, 123, 181.1, 182-183; 248/49, 175, 176.1, 200, 201, 205.1, 251, 248/302, 309.1, 315; 242/570, 590, 595-598
See application file for complete search history.

(56) **References Cited**

U.S. PATENT DOCUMENTS

D84,671 S	7/1931	Baker	
D163,444 S	5/1951	Crook	
D191,781 S	* 11/1961	Latham	D6/550
D261,873 S	11/1981	Marchand	
D272,591 S	2/1984	Shames et al.	
D291,753 S	9/1987	Pool	
D327,196 S	6/1992	Crook et al.	
D416,419 S	11/1999	Chen	
D451,737 S	* 12/2001	Chen	D6/550
D455,196 S	4/2002	Caplow	
D455,197 S	4/2002	Caplow	
D456,063 S	4/2002	McKeone	
D465,116 S	11/2002	Chen	
D465,369 S	11/2002	Moore	
D466,734 S	12/2002	Moore	
D466,736 S	* 12/2002	Ouyoung	D6/524
D466,741 S	12/2002	Moore	

D466,985 S	12/2002	McKeone
D473,932 S	4/2003	Caplow
D477,481 S	7/2003	Ouano
D477,484 S	7/2003	Ouano
D477,946 S	8/2003	Ouano
D477,951 S	8/2003	Ouano
D478,755 S	8/2003	Moore
D482,917 S	12/2003	Chen
D492,151 S	6/2004	Chen

(Continued)

Primary Examiner — Brian N Vinson

(74) *Attorney, Agent, or Firm* — Calfee, Halter & Griswold LLP

(57) **CLAIM**

The ornamental design for an accessory post, as shown and described.

DESCRIPTION

FIG. 1 is a perspective view of an accessory post of the new design;

FIG. 2 is a front elevational view of the accessory post of FIG. 1;

FIG. 3 is a rear elevational view of the accessory post of FIG. 1;

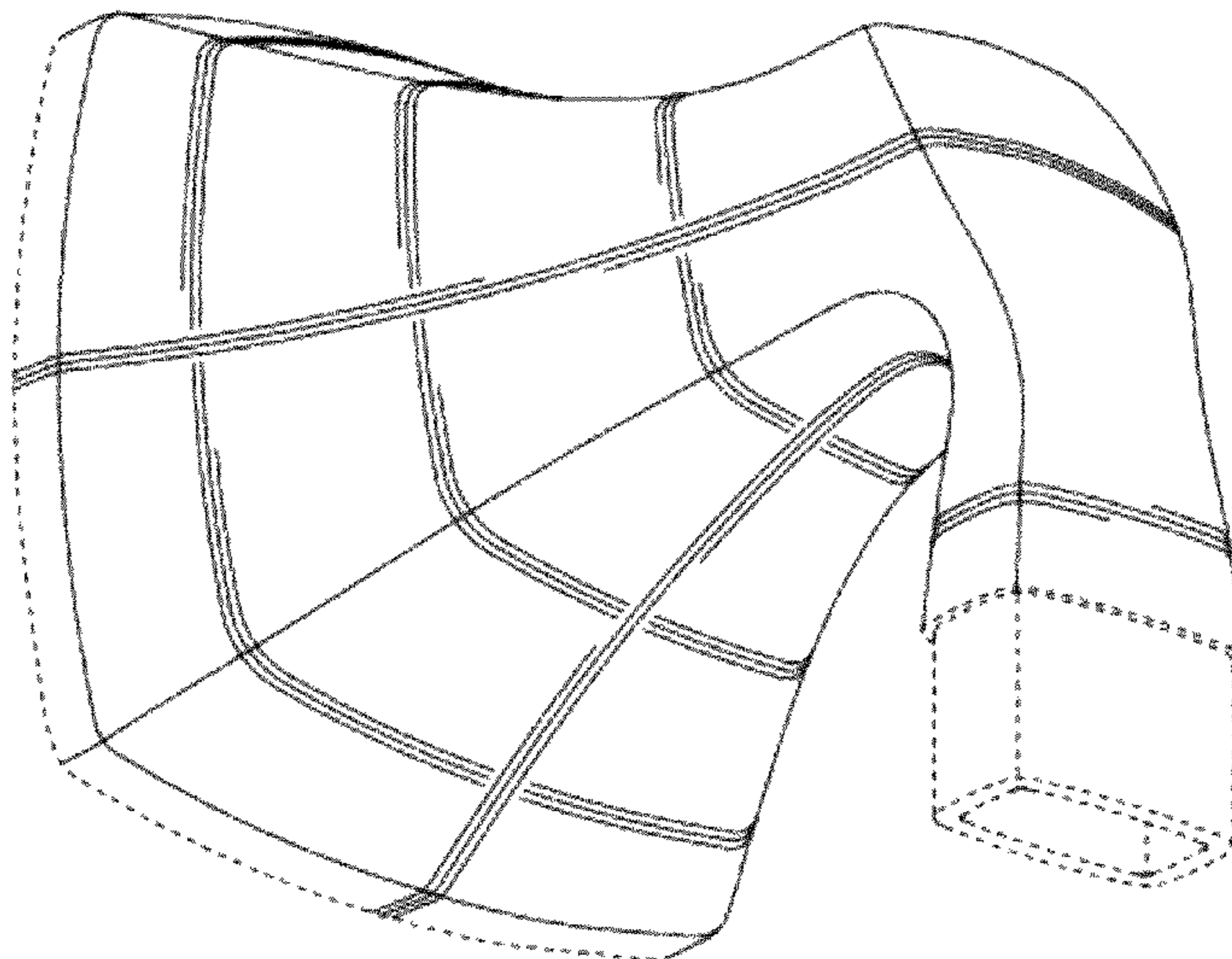
FIG. 4 is a left side elevational view of the accessory post of FIG. 1;

FIG. 5 is a right side elevational view of the accessory post of FIG. 1; and,

FIG. 6 is a top plan view of the accessory post of FIG. 1, the bottom plan view being a mirror image thereof.

The broken-line disclosure in the views is understood to represent portions of the article in which the claimed design is embodied, but which forms no part of the claimed design, and where a broken-line abuts a surface indicated as part of the claimed design by the presence of surface shading, that line is understood to represent an unclaimed boundary between claimed and unclaimed elements.

1 Claim, 3 Drawing Sheets



US D666,040 S

Page 2

U.S. PATENT DOCUMENTS

D493,644 S	8/2004	Chen	
D493,645 S	8/2004	Ayers et al.	
D493,990 S	8/2004	Ayers et al.	
D516,852 S *	3/2006	Berberet	D6/550
D518,152 S	3/2006	Theberge	
D519,766 S	5/2006	Gilbert	
D520,116 S	5/2006	Koury et al.	
D520,607 S	5/2006	Koury et al.	
D520,790 S *	5/2006	Chen	D6/550
D522,624 S	6/2006	Koury et al.	
D522,786 S *	6/2006	Chu et al.	D6/550
D530,956 S	10/2006	Gilbert	
D531,275 S	10/2006	Tsai	
D533,643 S	12/2006	Veltz	
D550,009 S	9/2007	Rexach	
D562,606 S *	2/2008	Chen	D6/524
D563,525 S	3/2008	Zhu	
D563,702 S	3/2008	Ricereto	
D564,270 S	3/2008	Gilbert	
D569,670 S	5/2008	Chen	
D570,677 S	6/2008	Lee	
D573,823 S	7/2008	Ko	
D577,422 S	9/2008	Williams	
D579,082 S	10/2008	Yuan	
D587,786 S	3/2009	Williams	
D596,887 S	7/2009	Sedwick	
D596,888 S *	7/2009	Domanski	D6/550
D608,124 S *	1/2010	Sedwick	D6/524
D608,859 S	1/2010	Schoenherr et al.	
D631,137 S	1/2011	Ke et al.	
D633,736 S *	3/2011	Sedwick	D6/524
D635,381 S *	4/2011	Kim	D6/524
D643,096 S	8/2011	Corbett	
D654,742 S *	2/2012	Slothower et al.	D6/524

* cited by examiner

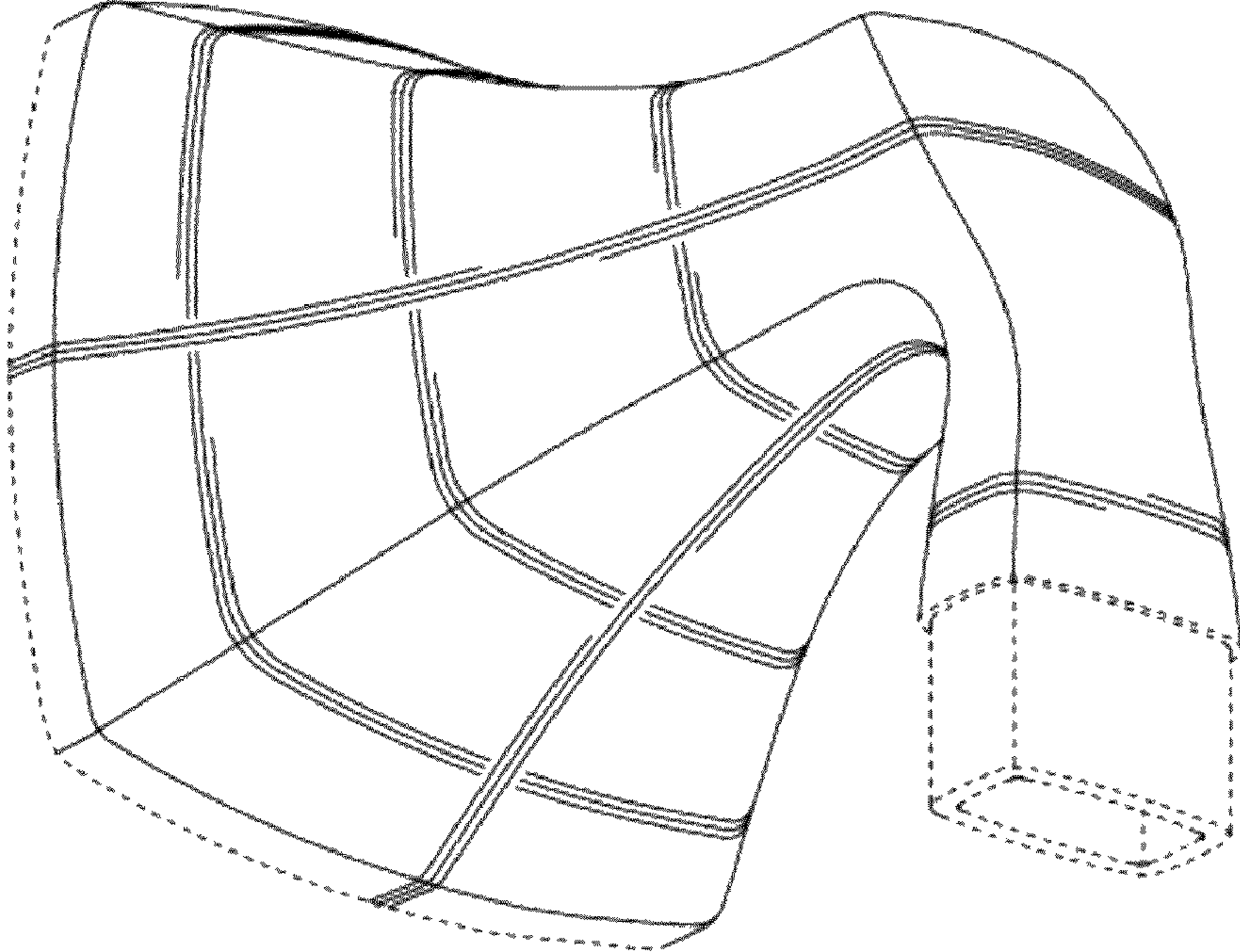


FIG. 1

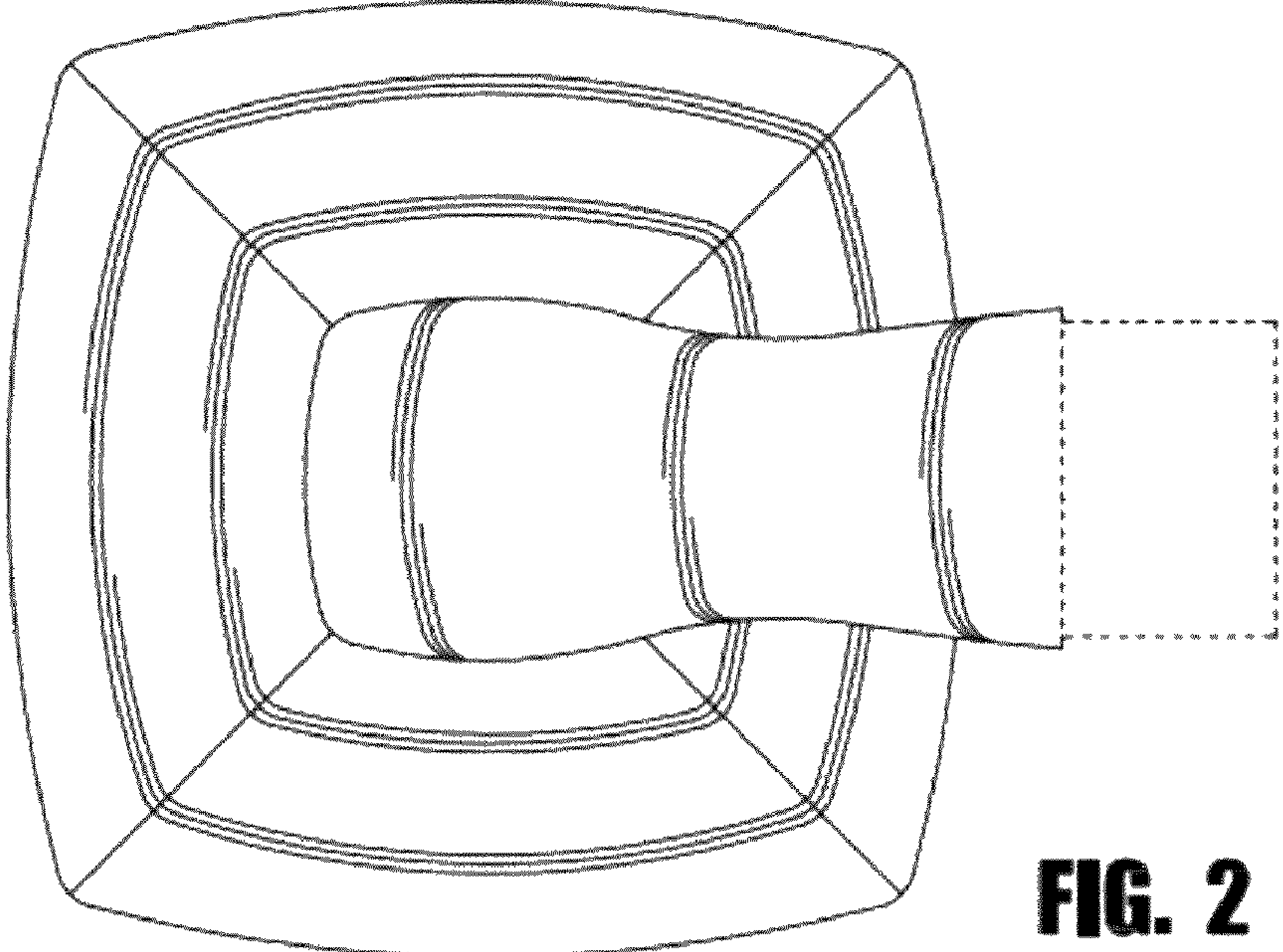


FIG. 2

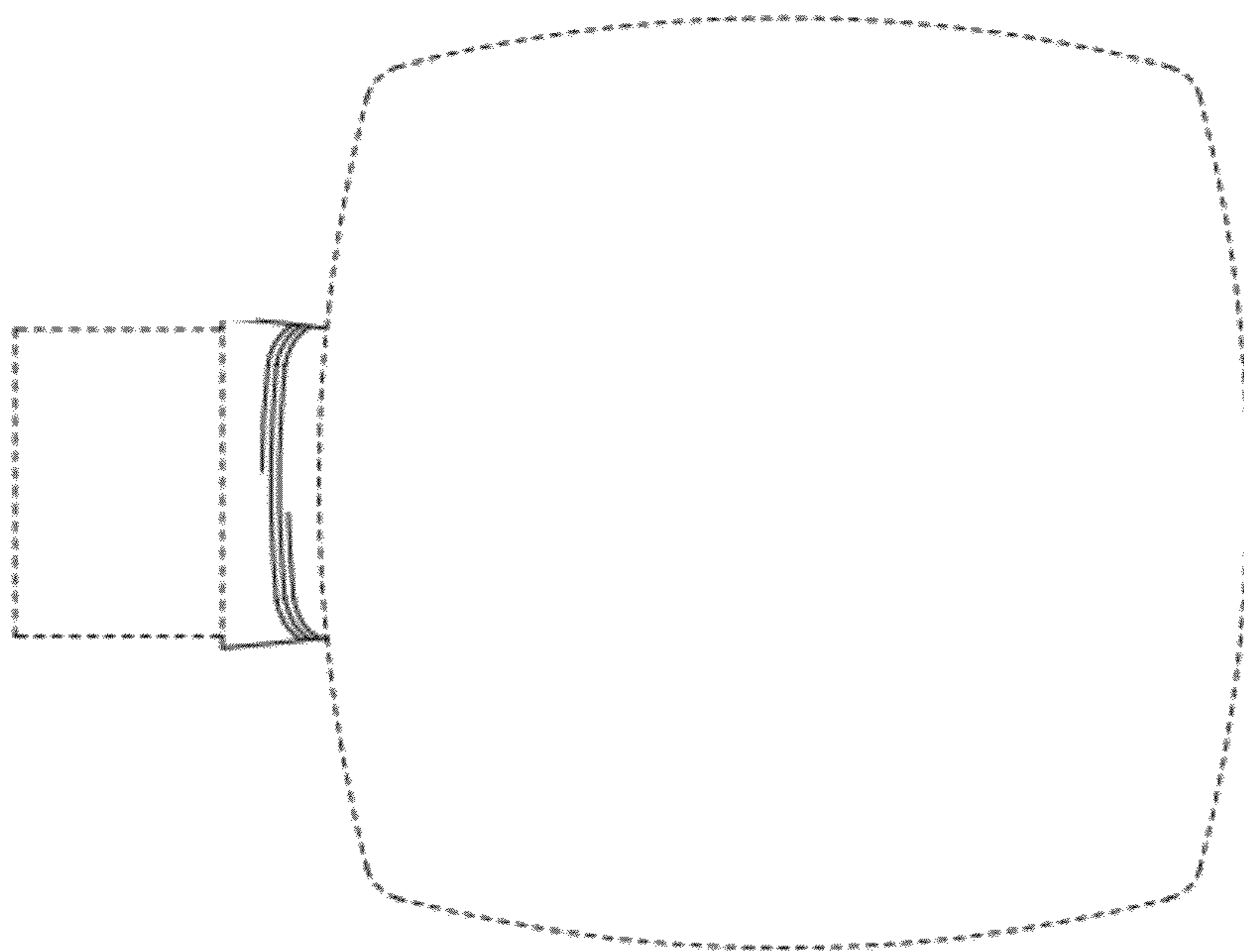


FIG. 3

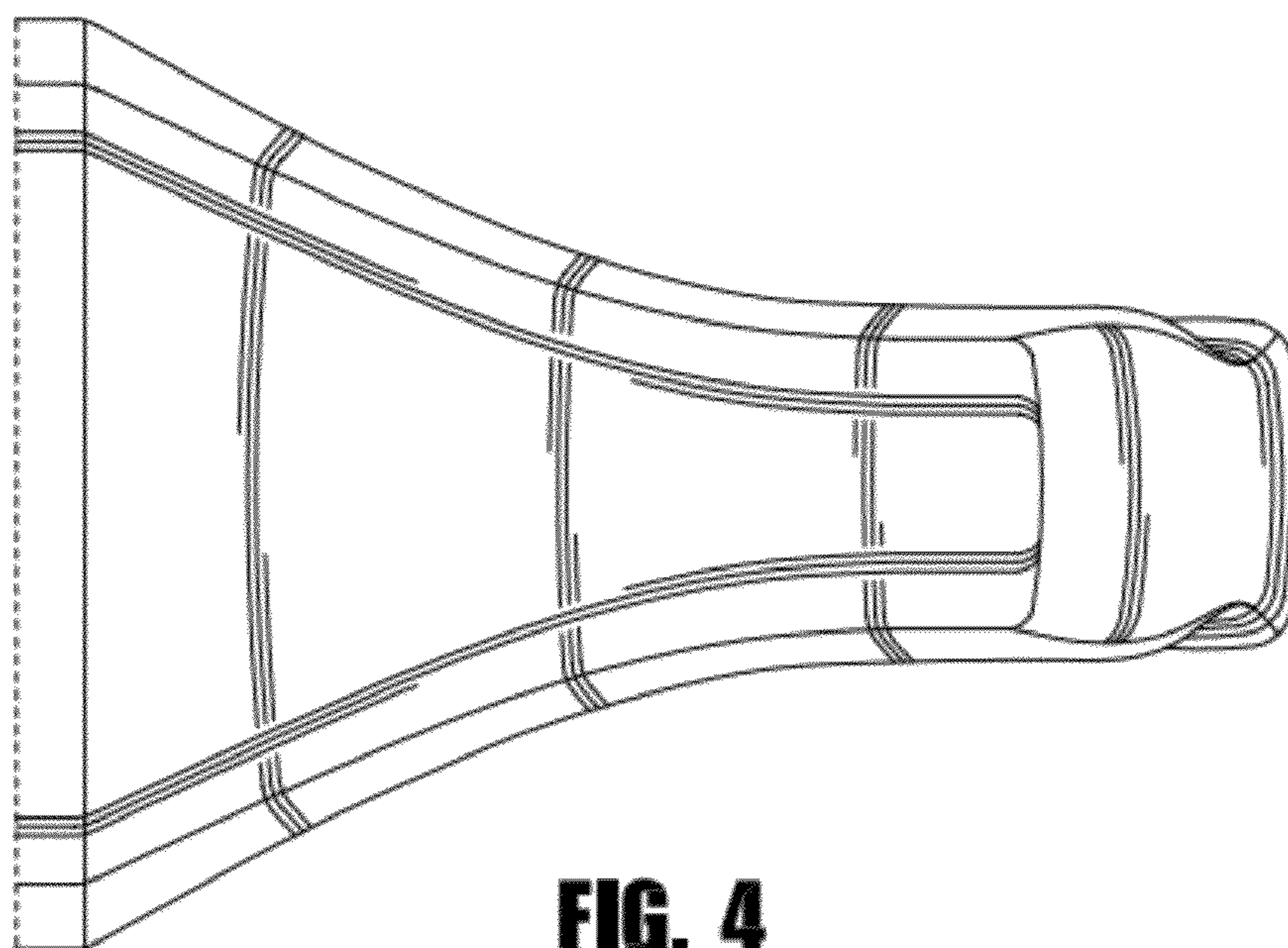


FIG. 4

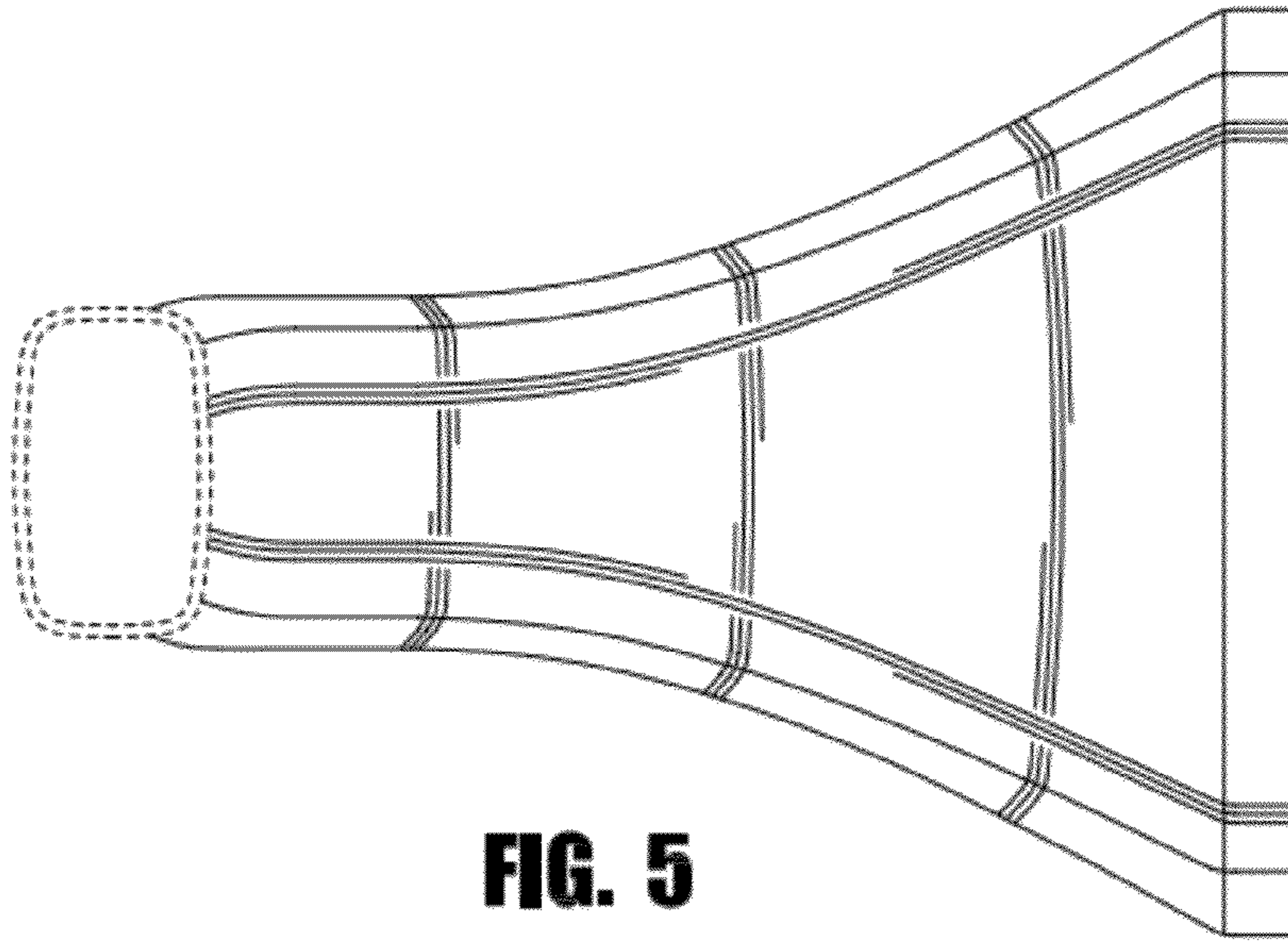


FIG. 5

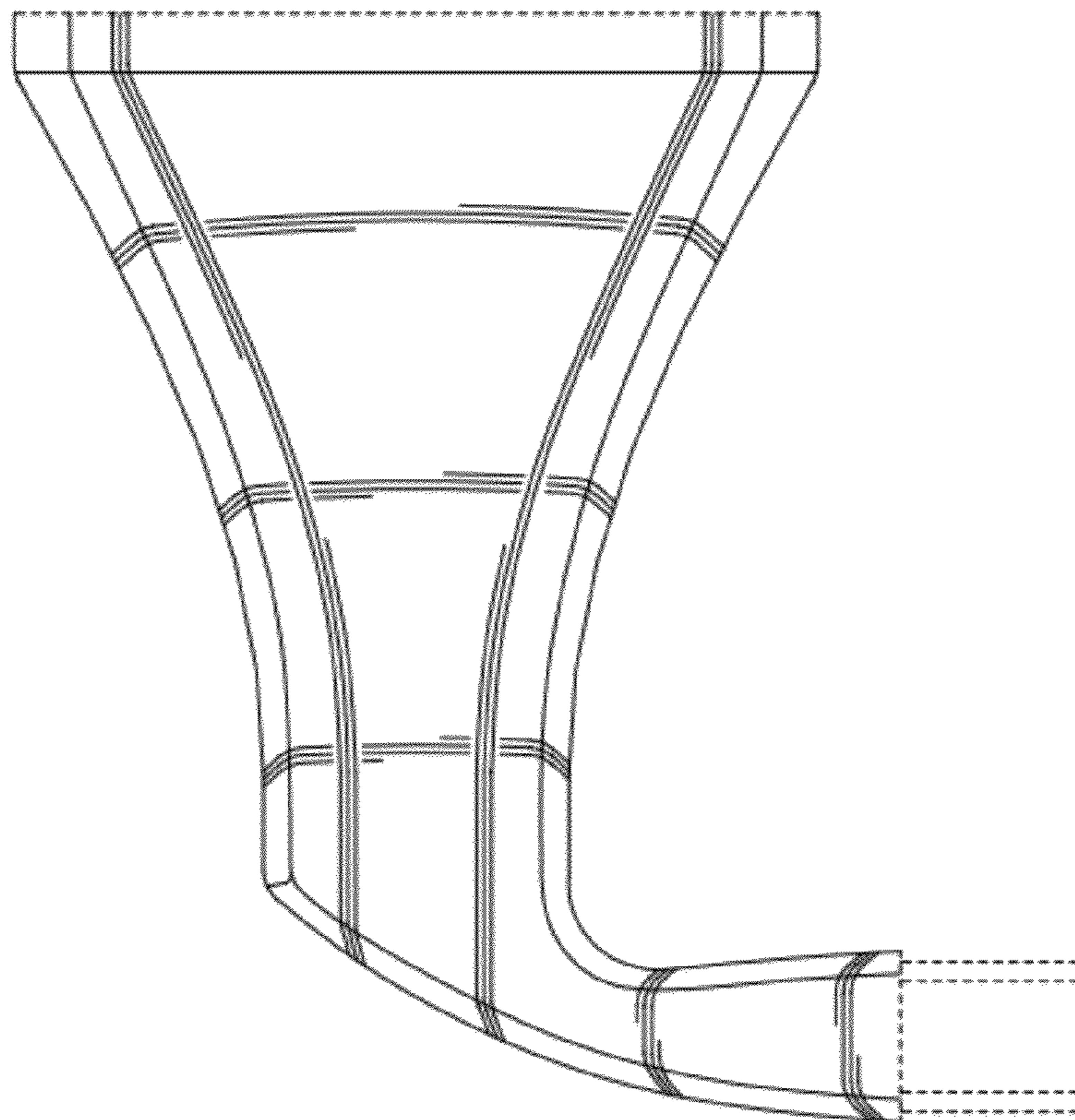


FIG. 6