

US00D666038S

(12) **United States Design Patent**  
**Wilkins et al.**

(10) **Patent No.:** **US D666,038 S**  
(45) **Date of Patent:** **\*\* Aug. 28, 2012**

(54) **ROLL HOLDER**

(75) Inventors: **YaVaughnie Wilkins**, Santa Monica, CA (US); **Anthony Montoya**, Modesto, CA (US)

(73) Assignee: **Follow Thru, LLC**, Santa Monica, CA (US)

(\*\*) Term: **14 Years**

(21) Appl. No.: **29/407,613**

(22) Filed: **Nov. 30, 2011**

(51) **LOC (9) Cl.** ..... **23-02**

(52) **U.S. Cl.** ..... **D6/523**

(58) **Field of Classification Search** ..... D6/518-523;  
206/389, 391; 211/13.1, 59.1, 45, 890.1;  
242/570, 590, 597.7, 599.1, 599.3; 248/309.1,  
248/309.2

See application file for complete search history.

(56) **References Cited**

**U.S. PATENT DOCUMENTS**

D198,832 S *	8/1964	Moy	.....	D6/523
D324,618 S *	3/1992	Morand	.....	D6/523
D381,851 S *	8/1997	Sharpe	.....	D6/523
D422,819 S *	4/2000	Fong	.....	D6/523
D495,176 S *	8/2004	Wolpert et al.	.....	D6/523
D632,512 S *	2/2011	Bejdova	.....	D6/523

\* cited by examiner

*Primary Examiner* — Brian N Vinson

(74) *Attorney, Agent, or Firm* — Connolly Bove Lodge & Hutz LLP; Jonathan Jaech

(57) **CLAIM**

The ornamental design for a roll holder, as shown and described.

**DESCRIPTION**

FIG. 1 is a perspective view of a first embodiment of a roll holder;

FIG. 2 is a front elevational view of the roll holder of FIG. 1, the rear elevational view being identical to that shown in FIG. 2;

FIG. 3 is a top elevational view of the roll holder of FIG. 1, the bottom elevational view being identical to that shown in FIG. 3;

FIG. 4 is a right side elevational view of the roll holder of FIG. 1, the left side elevational view being identical to that shown in FIG. 4;

FIG. 5 is a perspective view of a second embodiment of a roll holder;

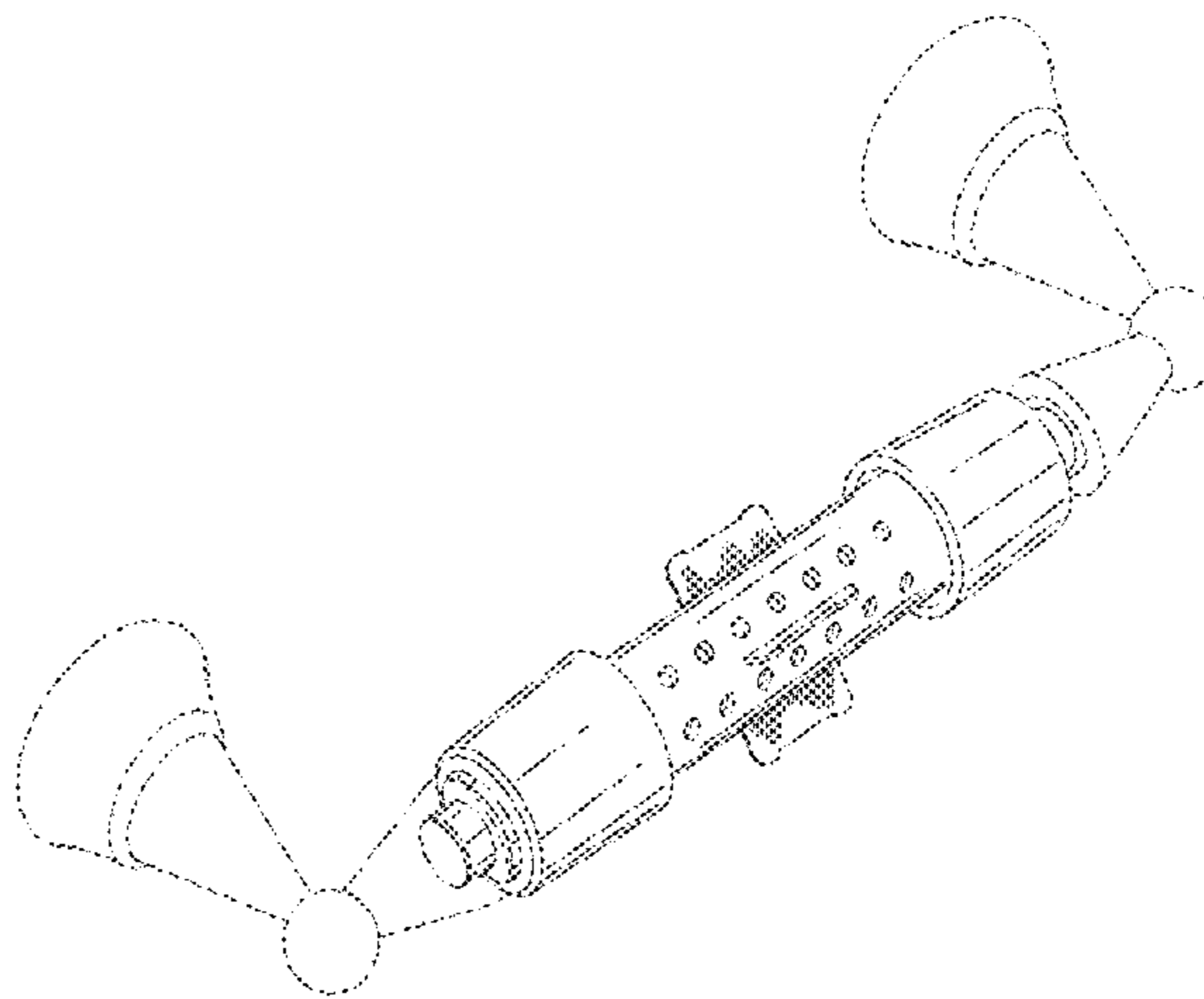
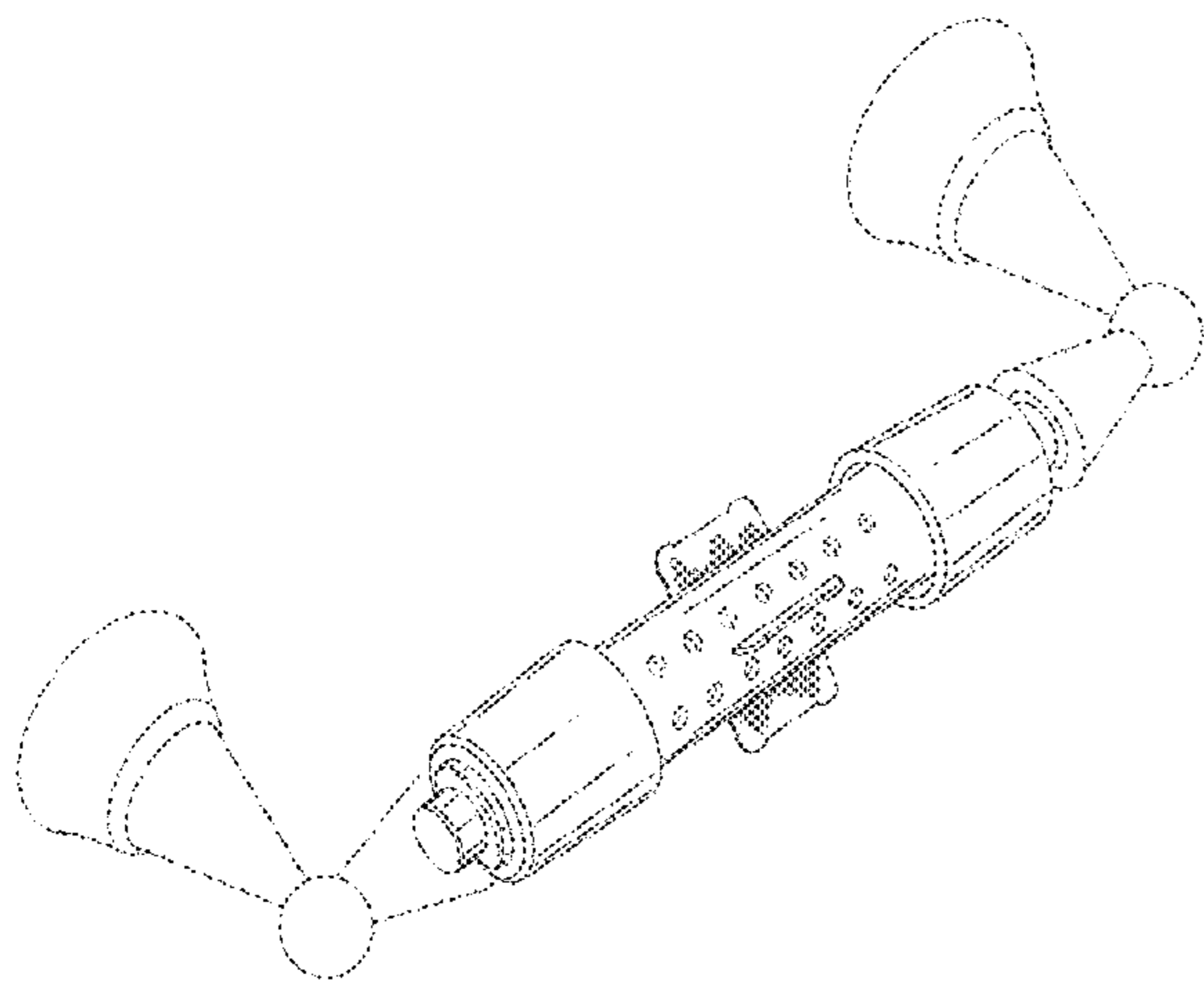
FIG. 6 is a front elevational view of the roll holder of FIG. 5, the rear elevational view being identical to that shown in FIG. 6;

FIG. 7 is a top elevational view of the roll holder of FIG. 5, the bottom elevational view being identical to that shown in FIG. 7; and,

FIG. 8 is right side elevational view of the roll holder of FIG. 5, the left side elevational view being identical to that shown in FIG. 8.

The broken-line disclosure of apertures in the first embodiment is understood to represent a portion of the article in which the claimed design is embodied, but which forms no part of the claim. The remaining broken line disclosure represents environment which is shown for illustrative purposes only and forms no part of the claimed design.

**1 Claim, 4 Drawing Sheets**



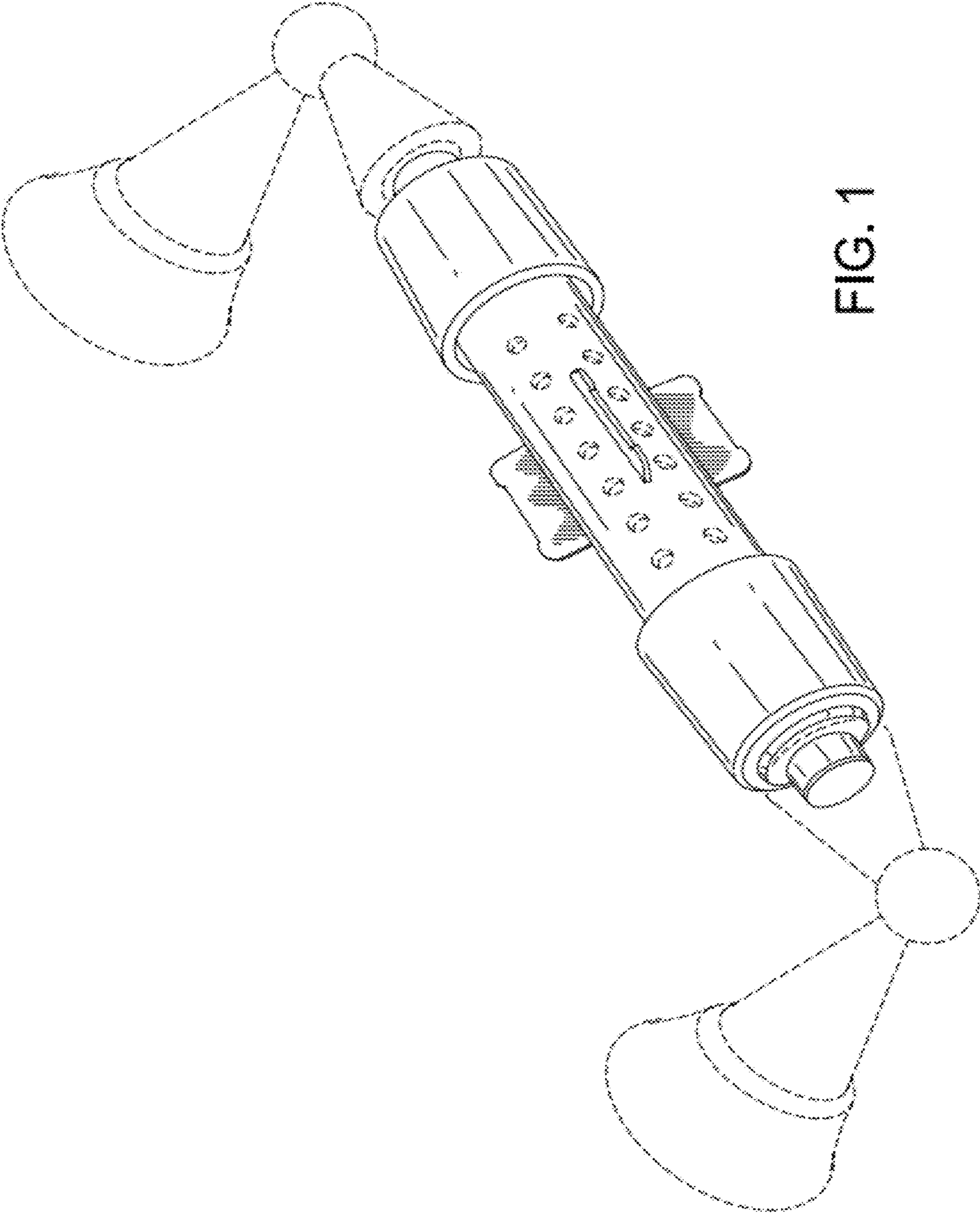


FIG. 1

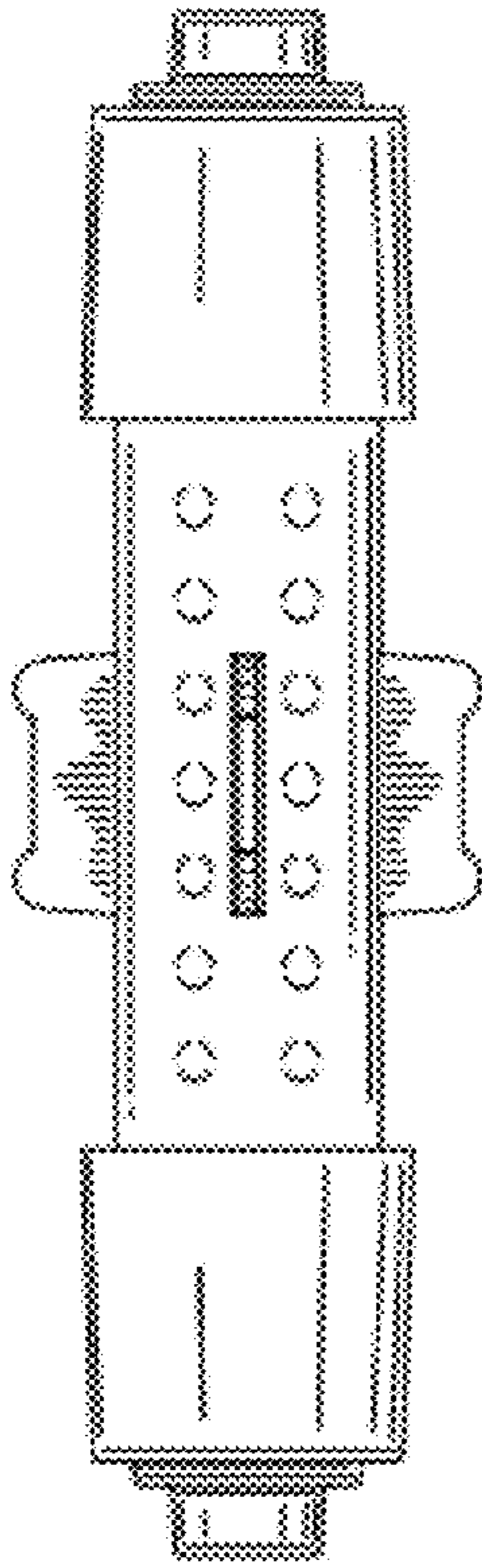


FIG. 2

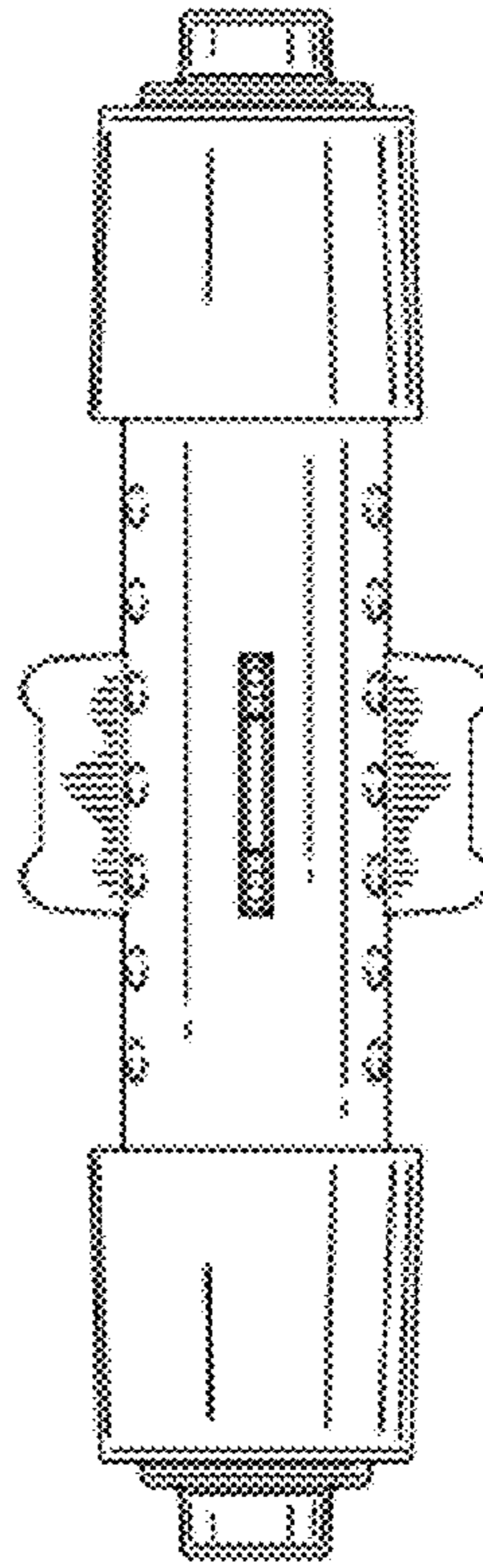


FIG. 3

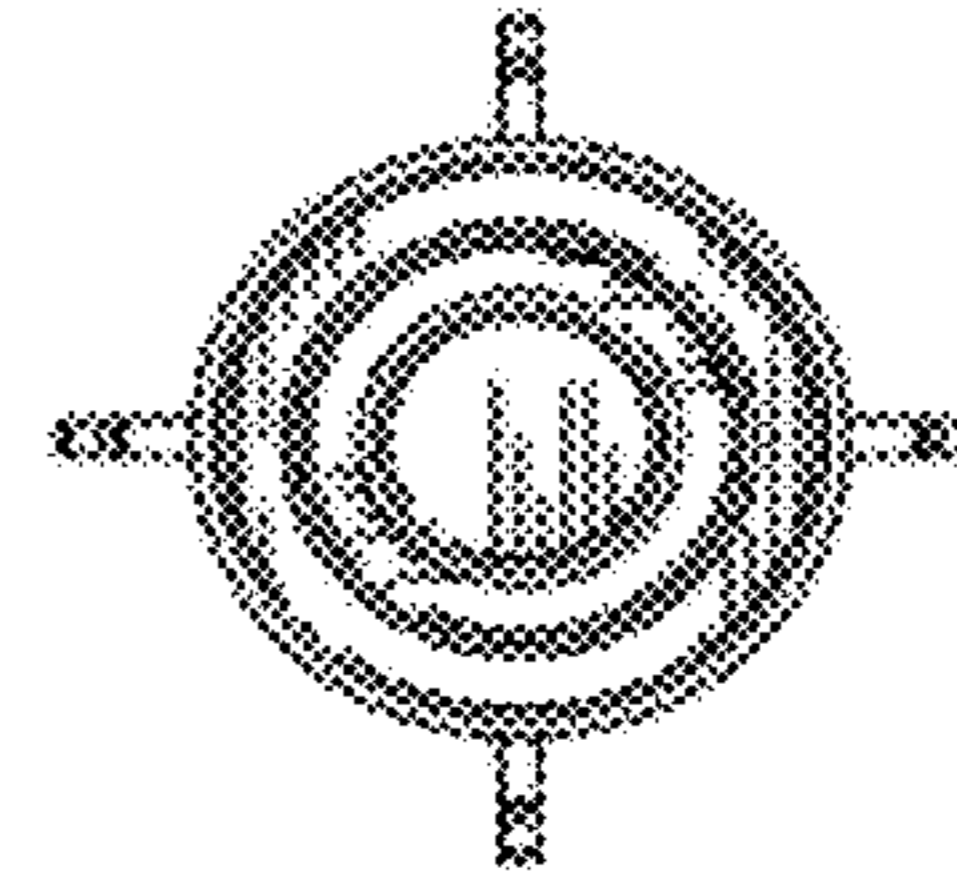


FIG. 4

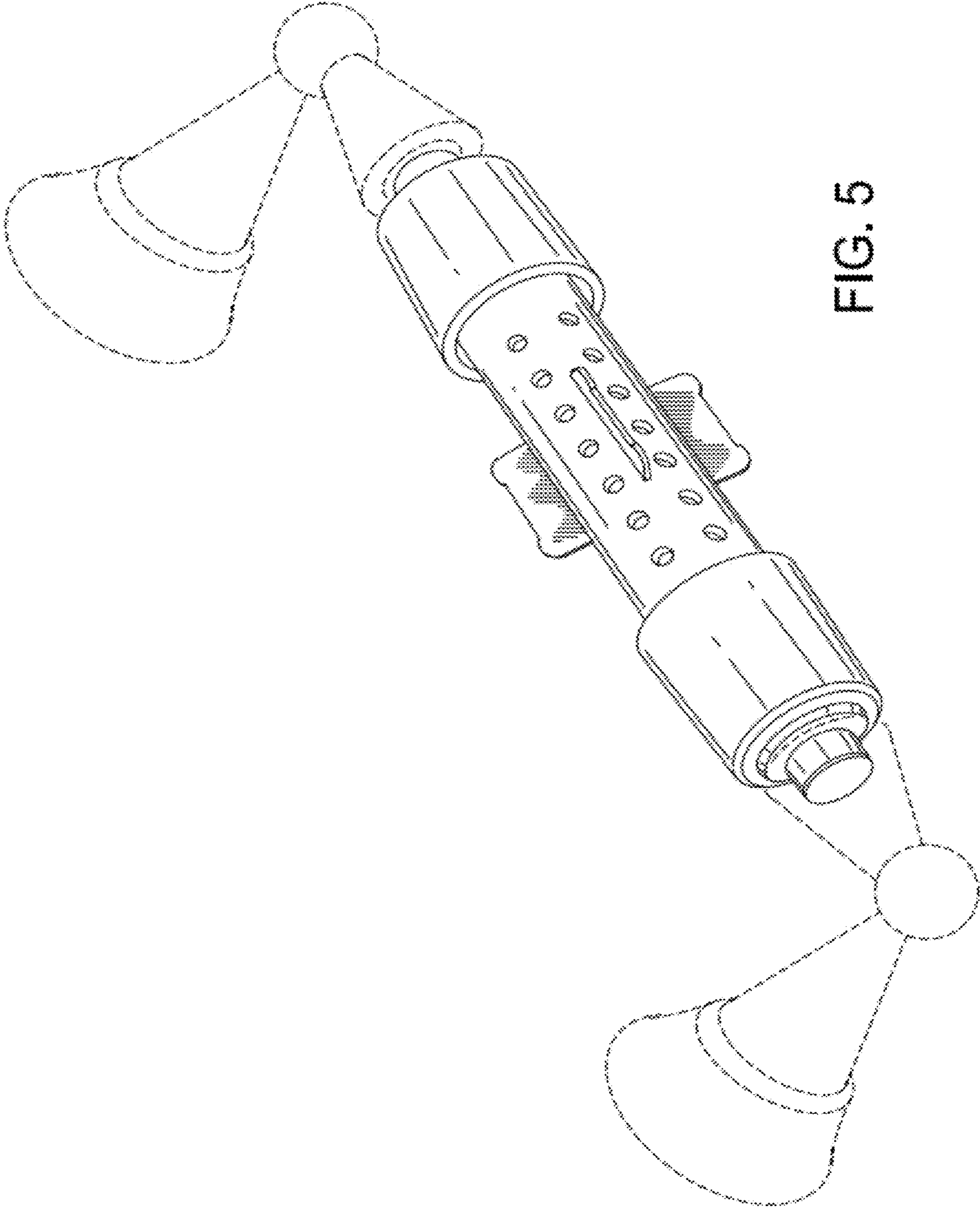


FIG. 5



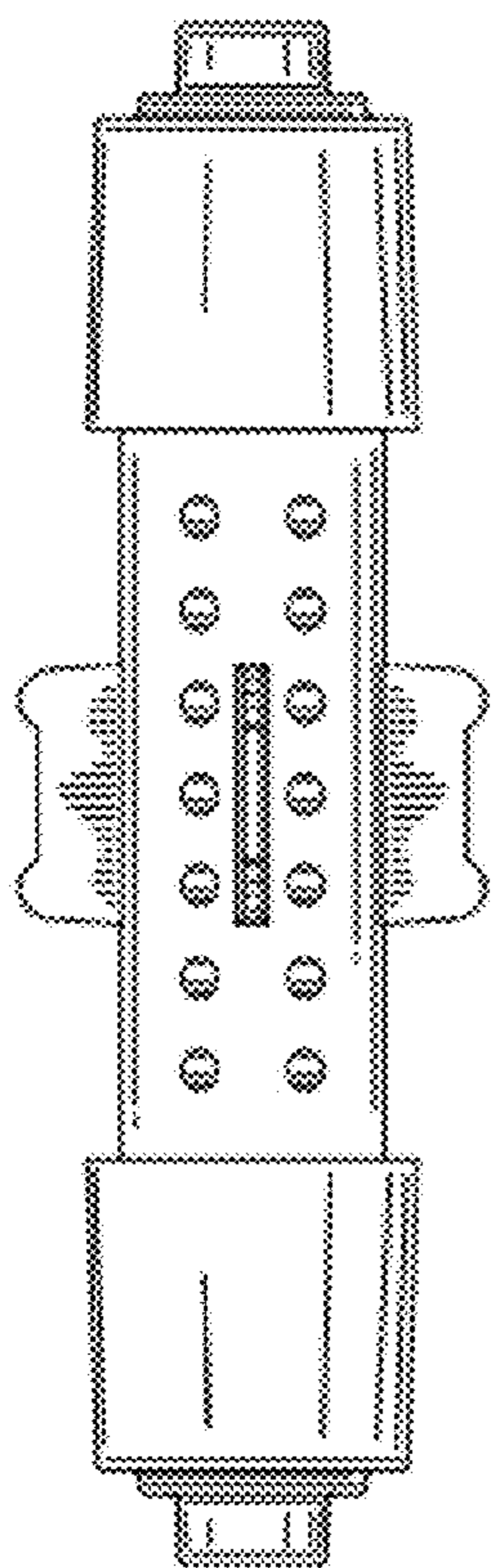


FIG. 6

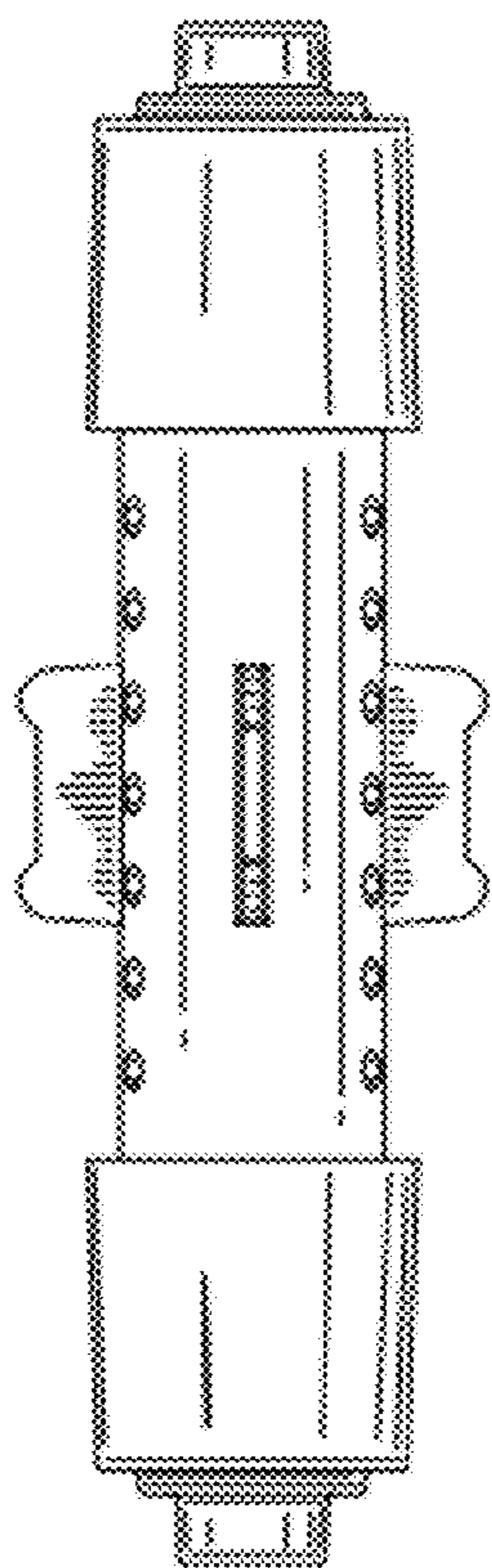


FIG. 7

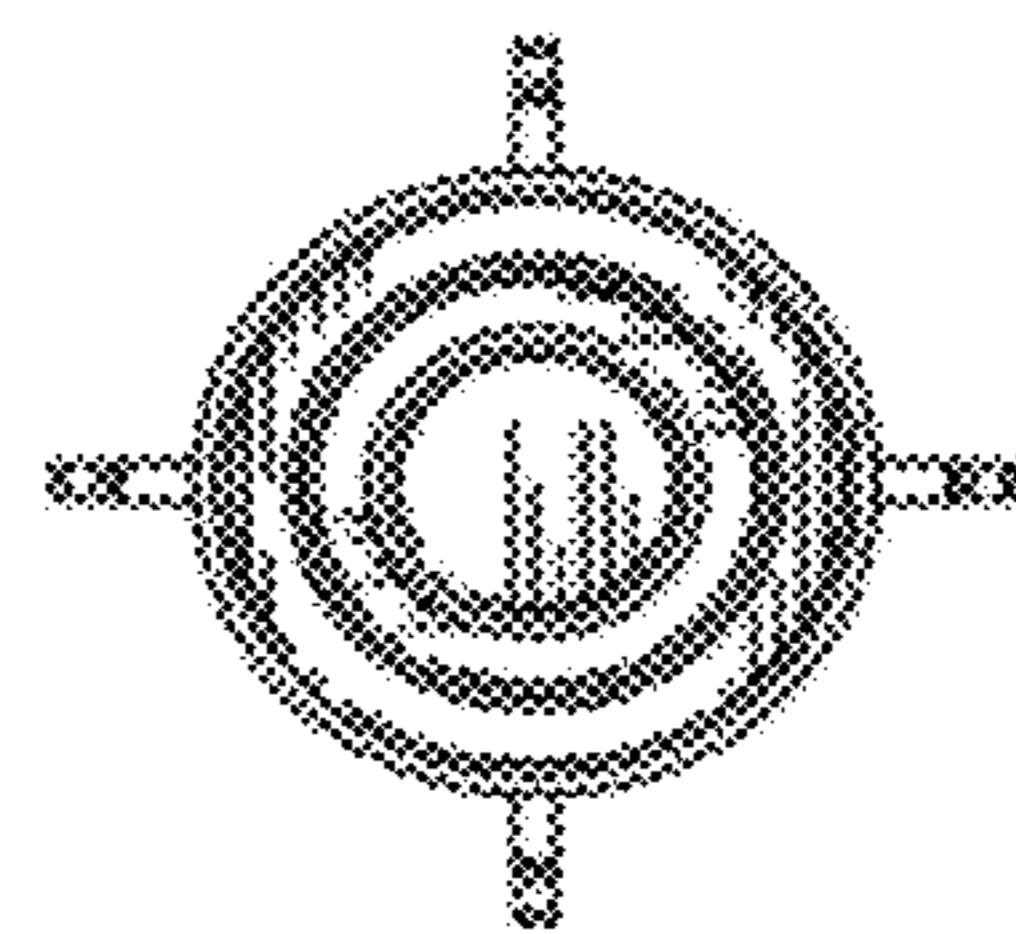


FIG. 8