

US00D666037S

(12) **United States Design Patent**
Ross

(10) **Patent No.:** **US D666,037 S**

(45) **Date of Patent:** **** Aug. 28, 2012**

(54) **TOWEL RACK**

(76) **Inventor:** **Clayton Ross**, Glendale, AZ (US)

(**) **Term:** **14 Years**

(21) **Appl. No.:** **29/411,379**

(22) **Filed:** **Jan. 19, 2012**

(51) **LOC (9) Cl.** **20-02**

(52) **U.S. Cl.** **D6/521; D6/548**

(58) **Field of Classification Search** D6/518-523,
D6/546, 548; 206/389, 391; 211/13.1, 59.1,
211/45, 890.1, 87.5, 118; 242/570, 590,
242/597.7; 248/309.1, 309.2; D11/157,
D11/158, 160

See application file for complete search history.

(56) **References Cited**

U.S. PATENT DOCUMENTS

- D195,902 S * 8/1963 Kocab D11/160
- D229,650 S * 12/1973 Sonnergaard D6/521
- D232,378 S * 8/1974 Keith D6/521

- D286,962 S * 12/1986 Ruiz D6/521
- 5,862,924 A * 1/1999 Dumont 211/85.7
- D472,086 S * 3/2003 Pruitt et al. D6/522
- D520,409 S * 5/2006 Thorsteinsson D11/160

* cited by examiner

Primary Examiner — Brian N Vinson

(74) *Attorney, Agent, or Firm* — Weiss & Moy, P.C.; Jeffrey D. Moy

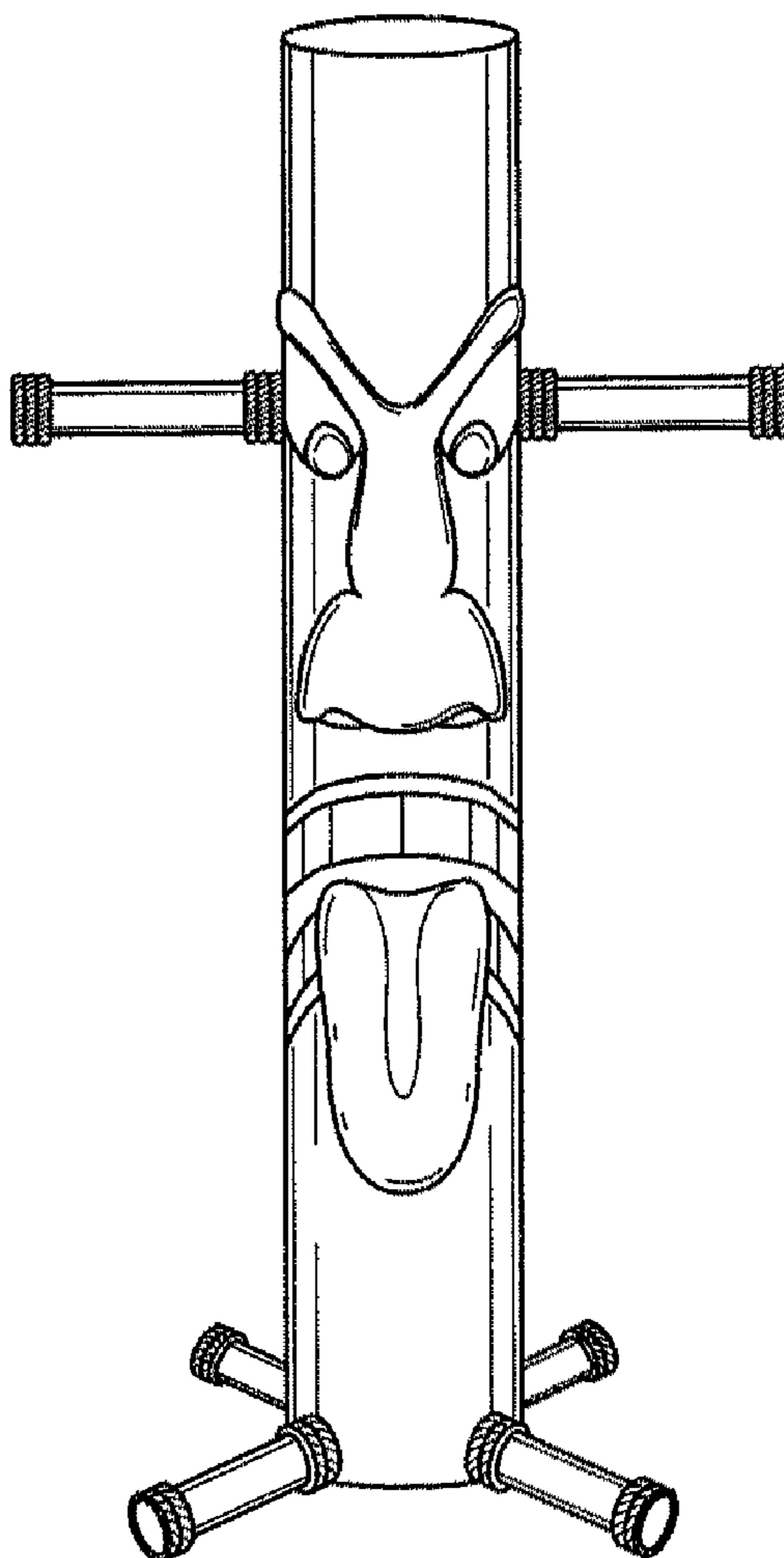
(57) **CLAIM**

The ornamental design for a towel rack, as shown and described.

DESCRIPTION

FIG. 1 is a front view of the towel rack;
FIG. 2 is a rear view of the towel rack;
FIG. 3 is a first side view of the towel rack;
FIG. 4 is a second side view of the towel rack;
FIG. 5 is a top view of the towel rack; and,
FIG. 6 is a bottom view of the towel rack.

1 Claim, 3 Drawing Sheets



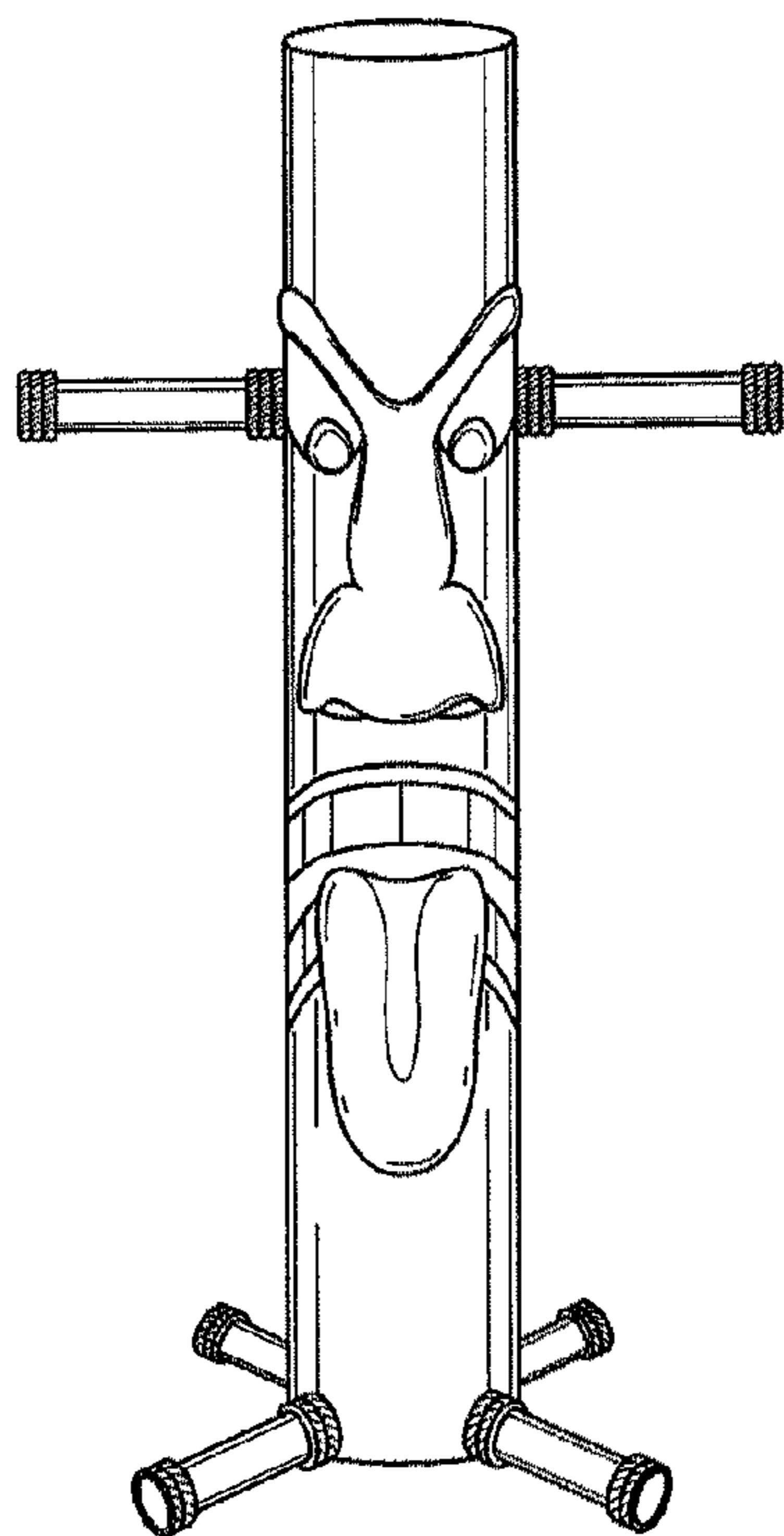


Fig. 1

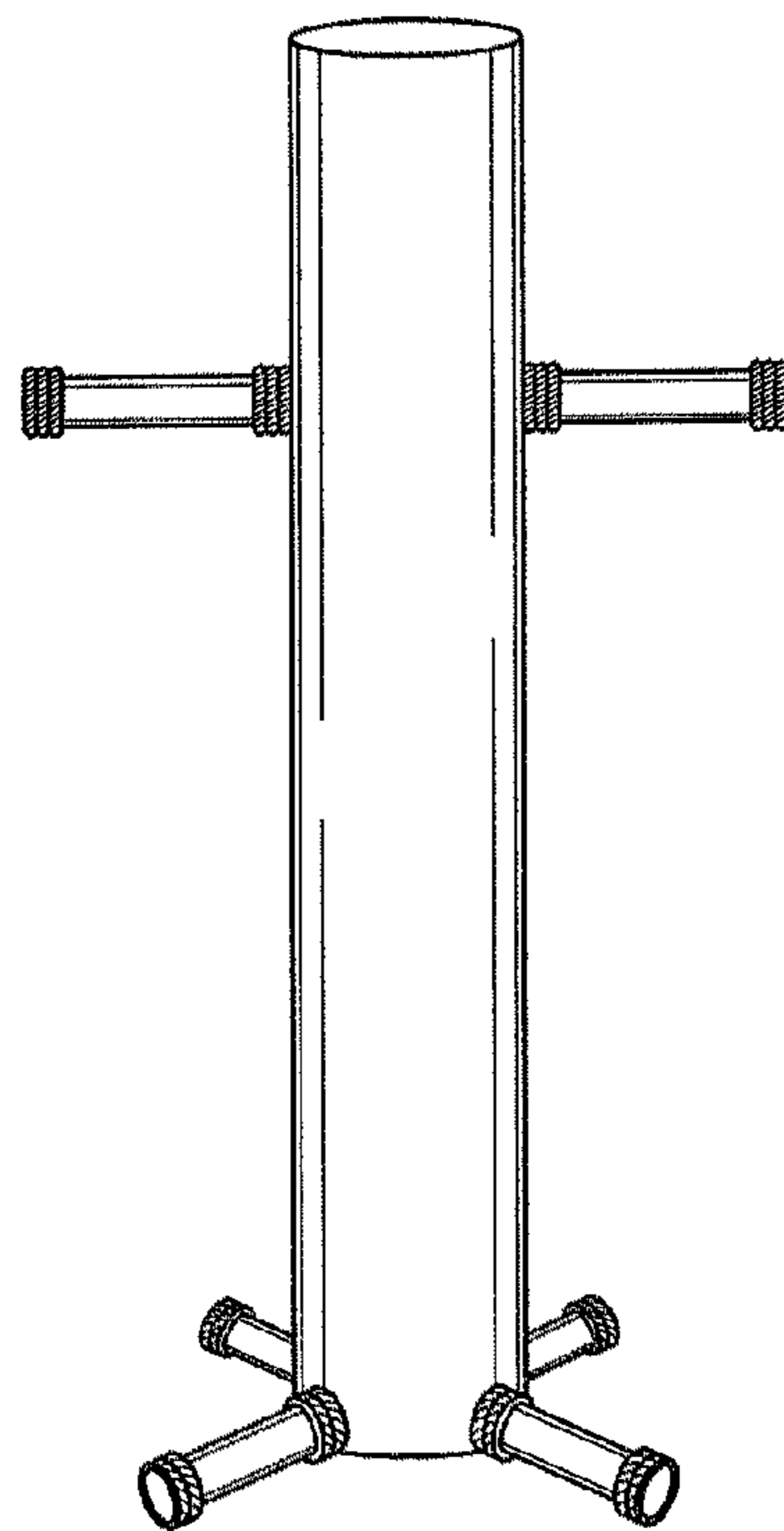


Fig. 2

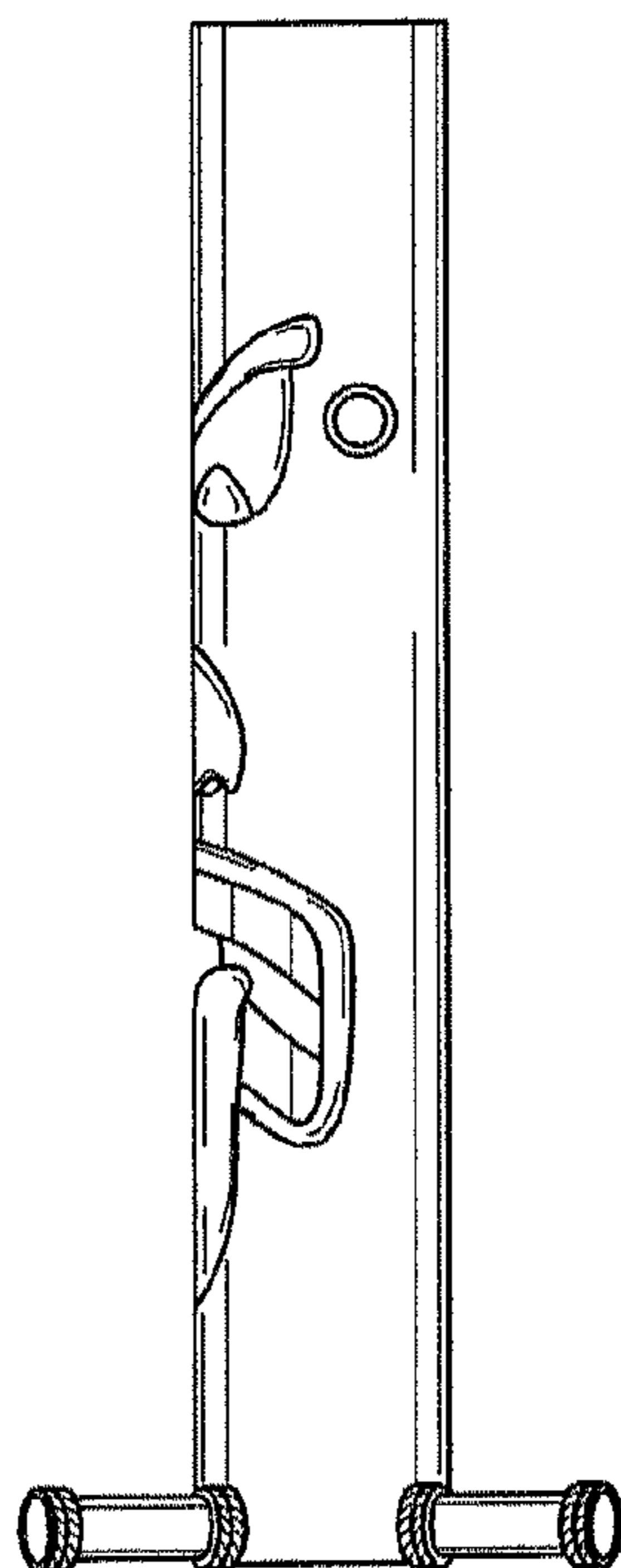


Fig. 3

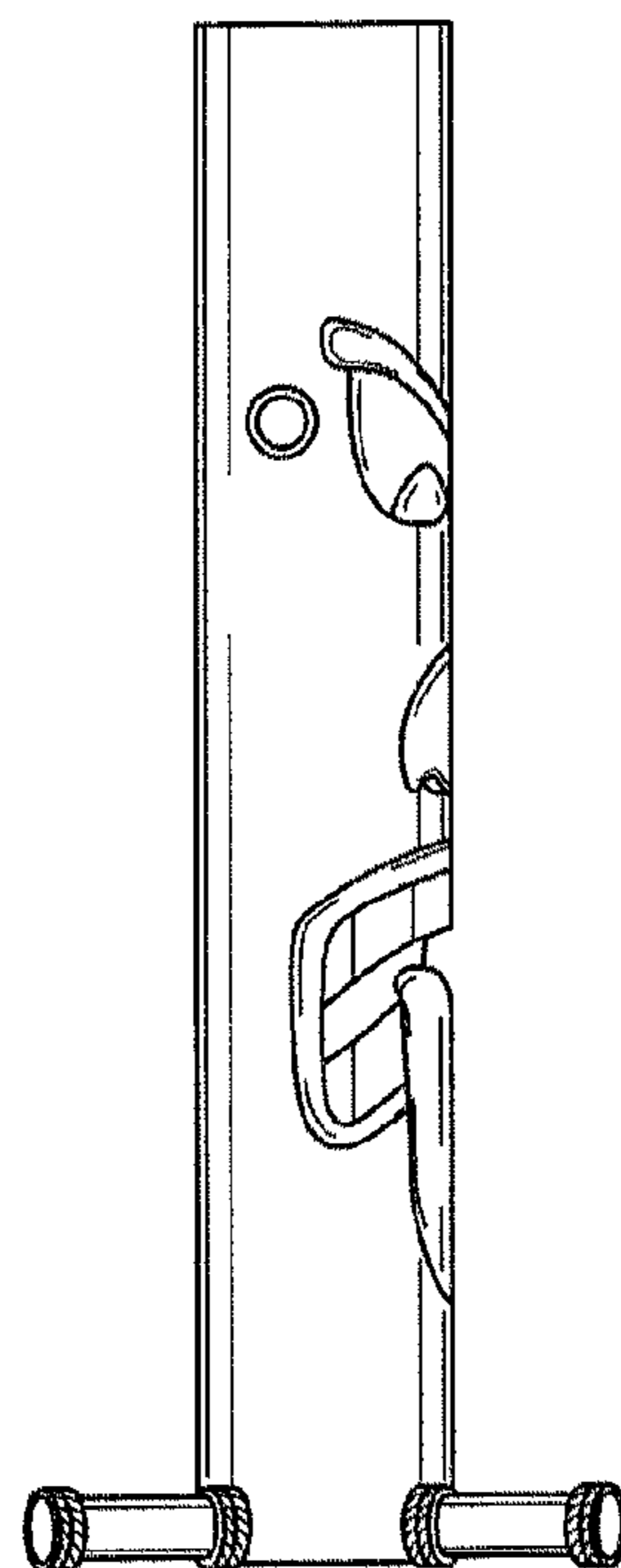


Fig. 4

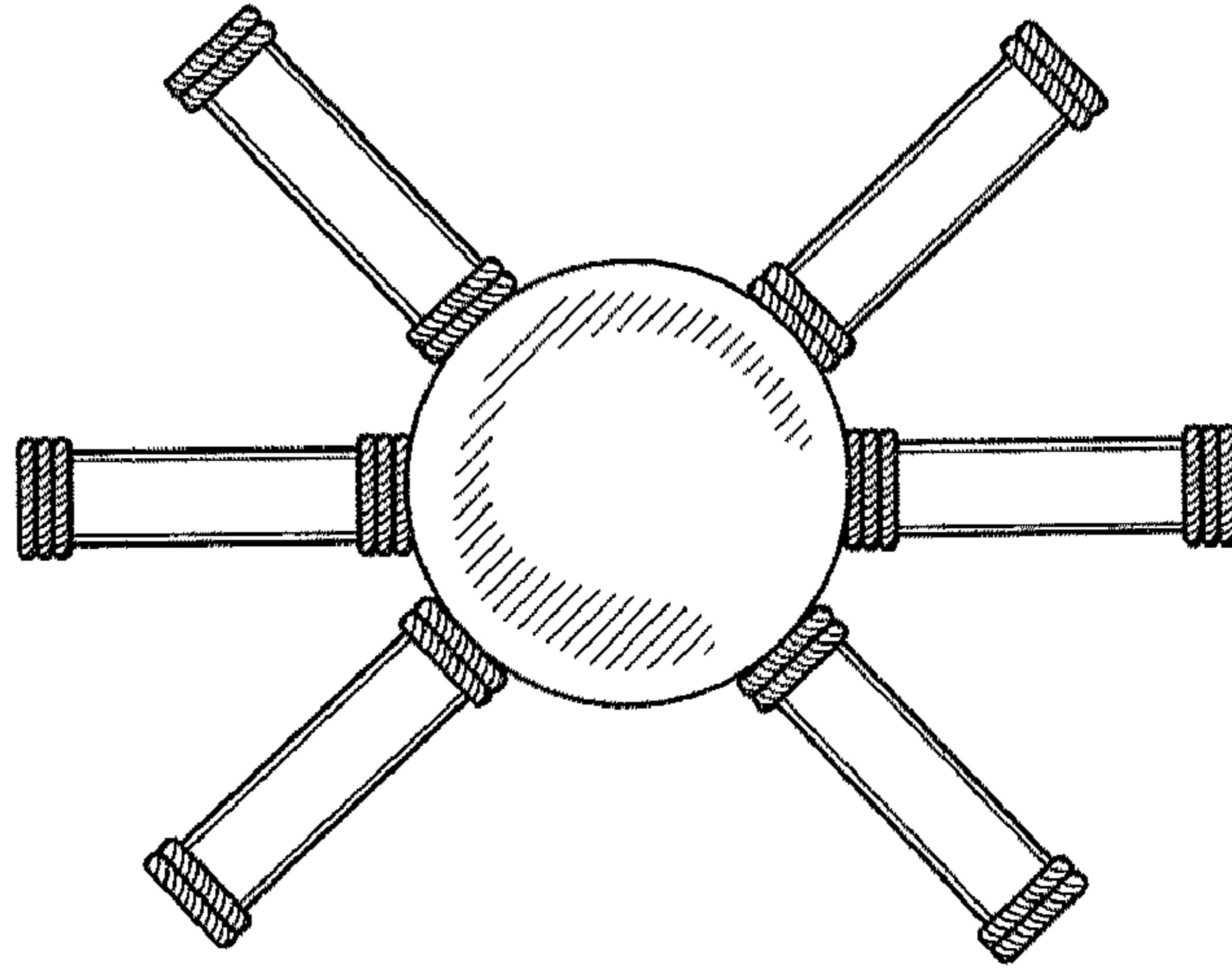


Fig. 5

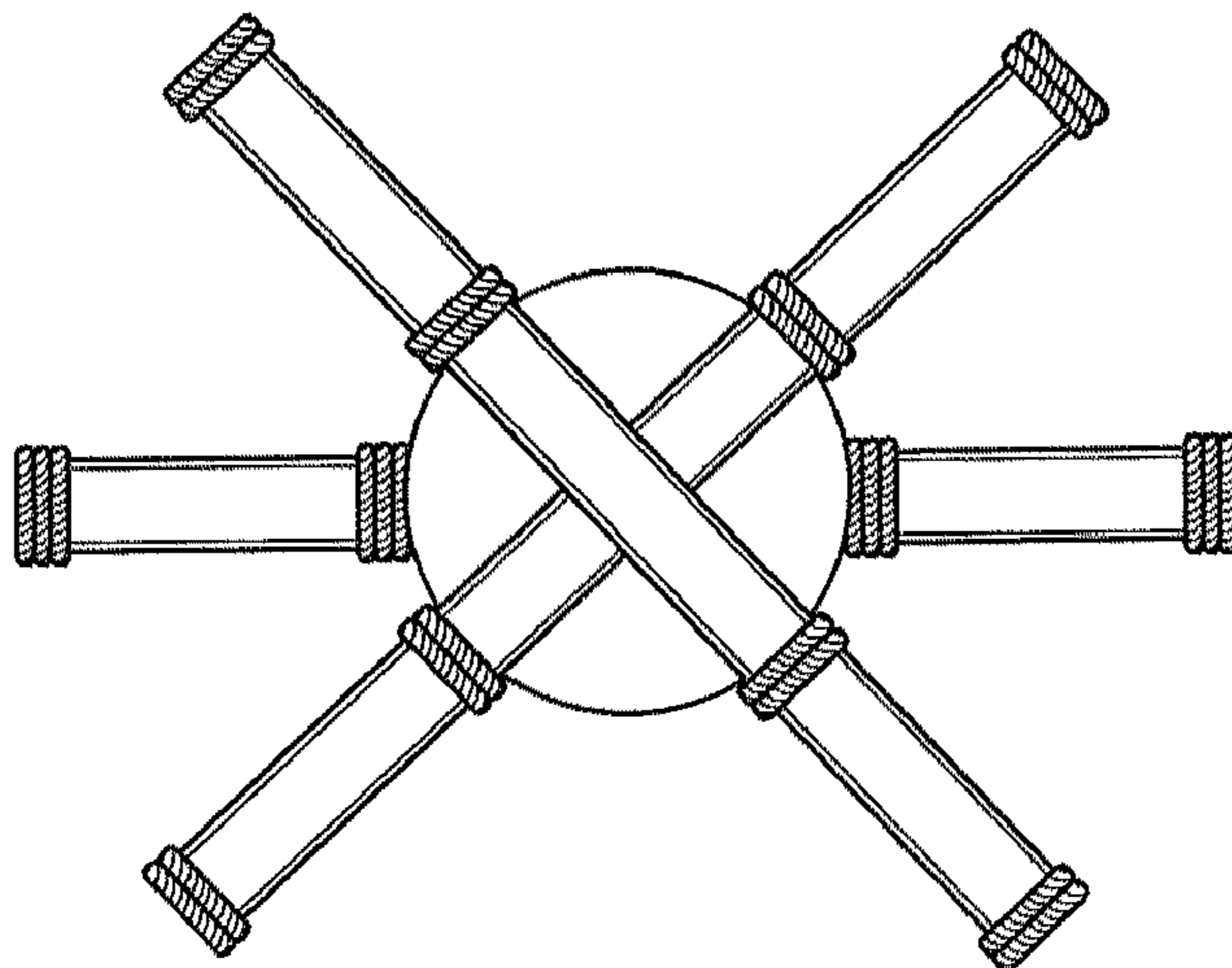


Fig. 6