

US00D666036S

(12) **United States Design Patent**
Blakley

(10) **Patent No.:** **US D666,036 S**

(45) **Date of Patent:** **** Aug. 28, 2012**

(54) **TOILET PAPER HOLDER WITH INTEGRATED GRAB BAR**

(75) Inventor: **Scott Blakley**, Strongsville, OH (US)

(73) Assignee: **Lifetime Products Inc.**, Clearfield, UT (US)

(**) Term: **14 Years**

(21) Appl. No.: **29/392,021**

(22) Filed: **May 16, 2011**

(51) **LOC (9) Cl.** **20-02**

(52) **U.S. Cl.** **D6/519; D6/523; D23/304**

(58) **Field of Classification Search** D6/518-52, D6/562, 546-550, 527, 532, 53, 535; D8/300, D8/315-320; D23/271, 303, 304, 283, 280.2; 211/13.1, 71.01, 86.01, 87.01, 88.01, 88.04, 211/90.01, 123, 126.1, 133.1, 134; 248/220.1, 248/235, 251, 309.1; 4/571.1, 571.3, 576.1
See application file for complete search history.

(56) **References Cited**

U.S. PATENT DOCUMENTS

6,267,316 B1 * 7/2001 Cross D6/523
7,823,229 B2 * 11/2010 O'Brien et al. 4/576.1

D631,270 S * 1/2011 O'Brien et al. D6/519
D631,273 S * 1/2011 O'Brien et al. D6/546
D654,157 S * 2/2012 Gilbert D23/304

* cited by examiner

Primary Examiner — Brian N Vinson

(74) *Attorney, Agent, or Firm* — Kunzler Law Group, PC

(57) **CLAIM**

The ornamental design for a toilet paper holder with integrated grab bar, as shown and described.

DESCRIPTION

FIG. 1 is a top, front, and right side perspective view of a toilet paper holder with integrated grab bar showing my new design;

FIG. 2 is a top, rear, and right side perspective view thereof;

FIG. 3 is an enlarged front elevational view thereof;

FIG. 4 is an enlarged rear elevational view thereof;

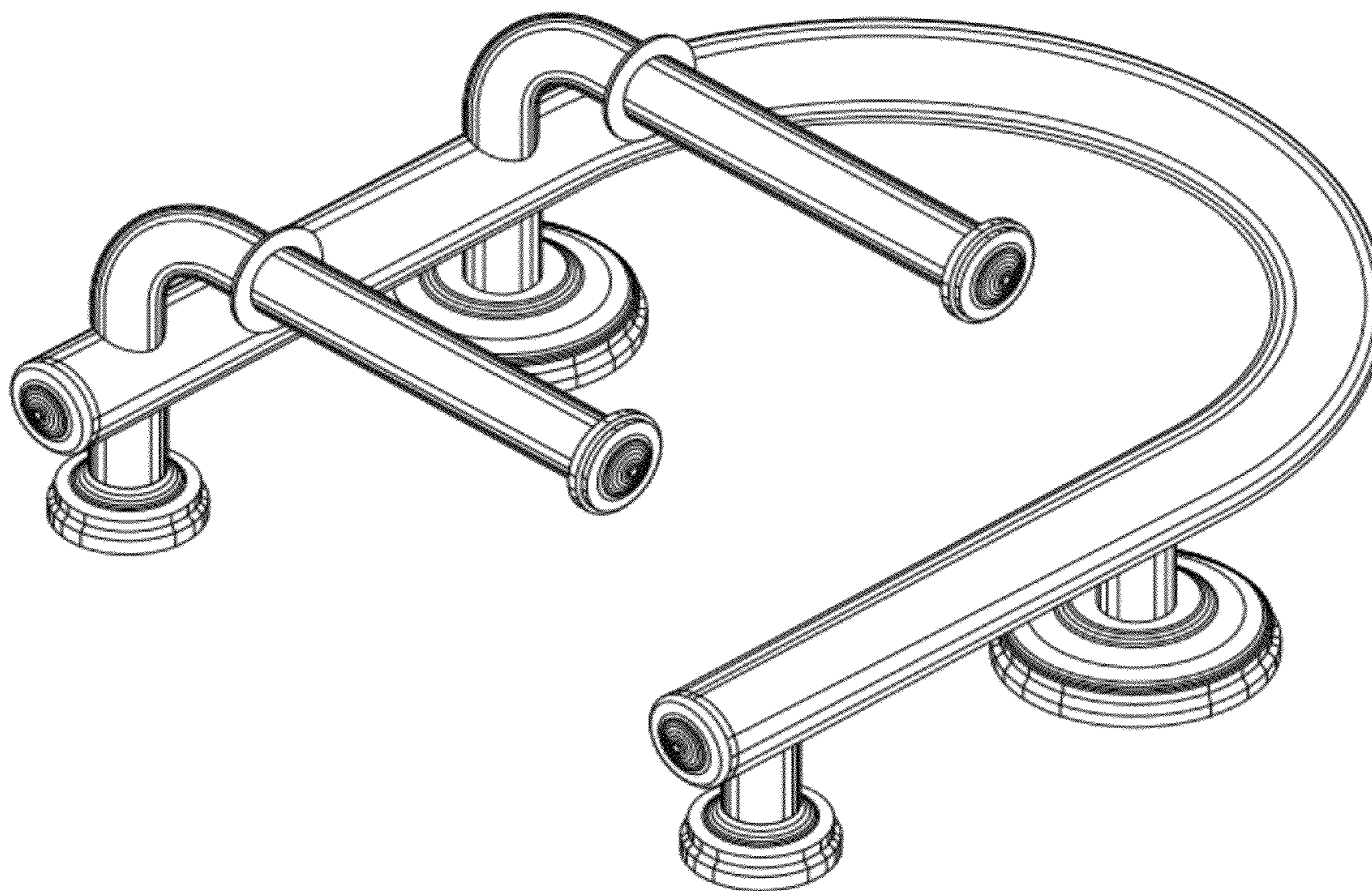
FIG. 5 is an enlarged left side elevational view thereof;

FIG. 6 is an enlarged right side elevational view thereof;

FIG. 7 is an enlarged top plan view thereof; and,

FIG. 8 is an enlarged bottom plan view thereof.

1 Claim, 8 Drawing Sheets



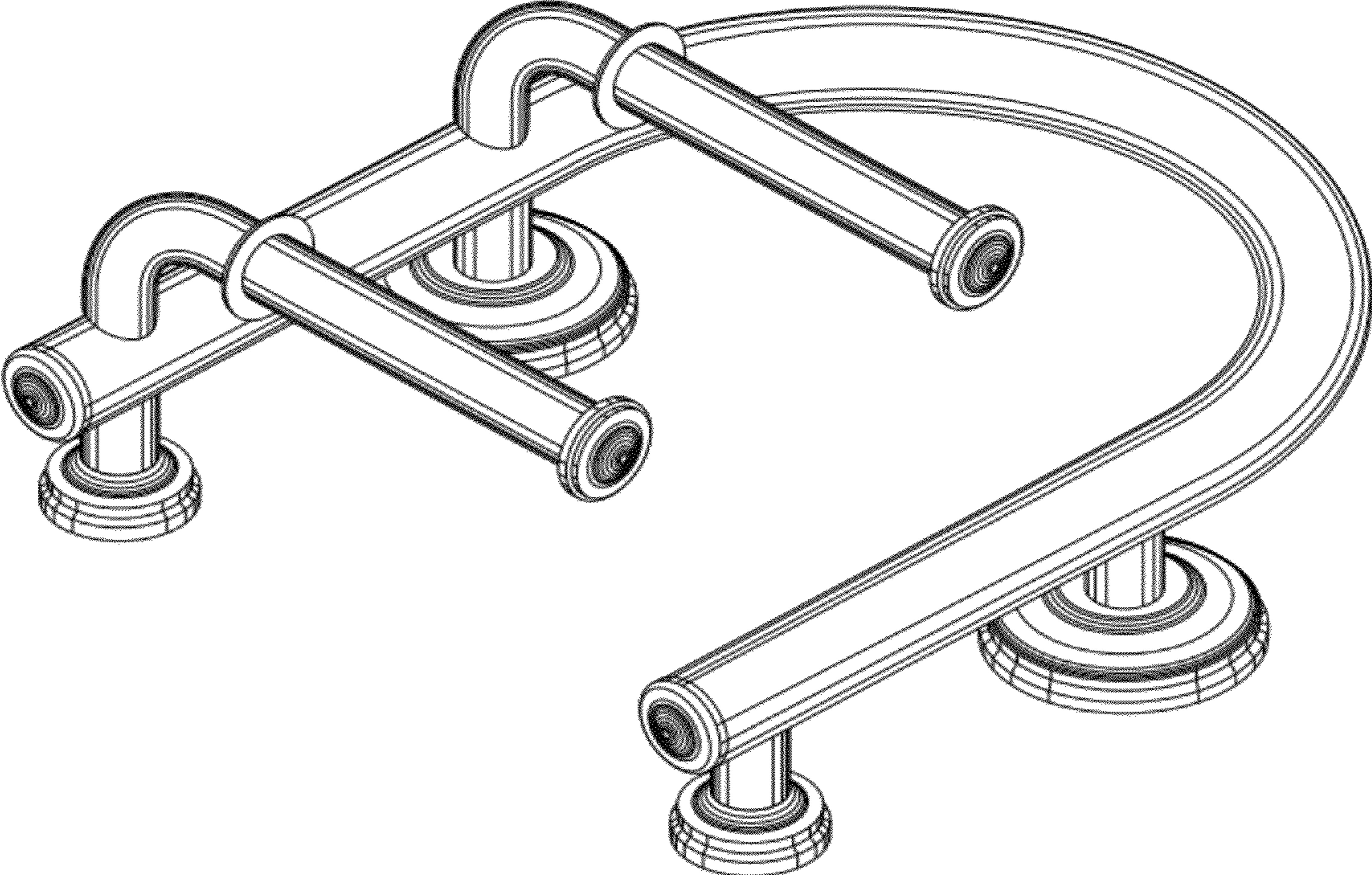


FIG. 1

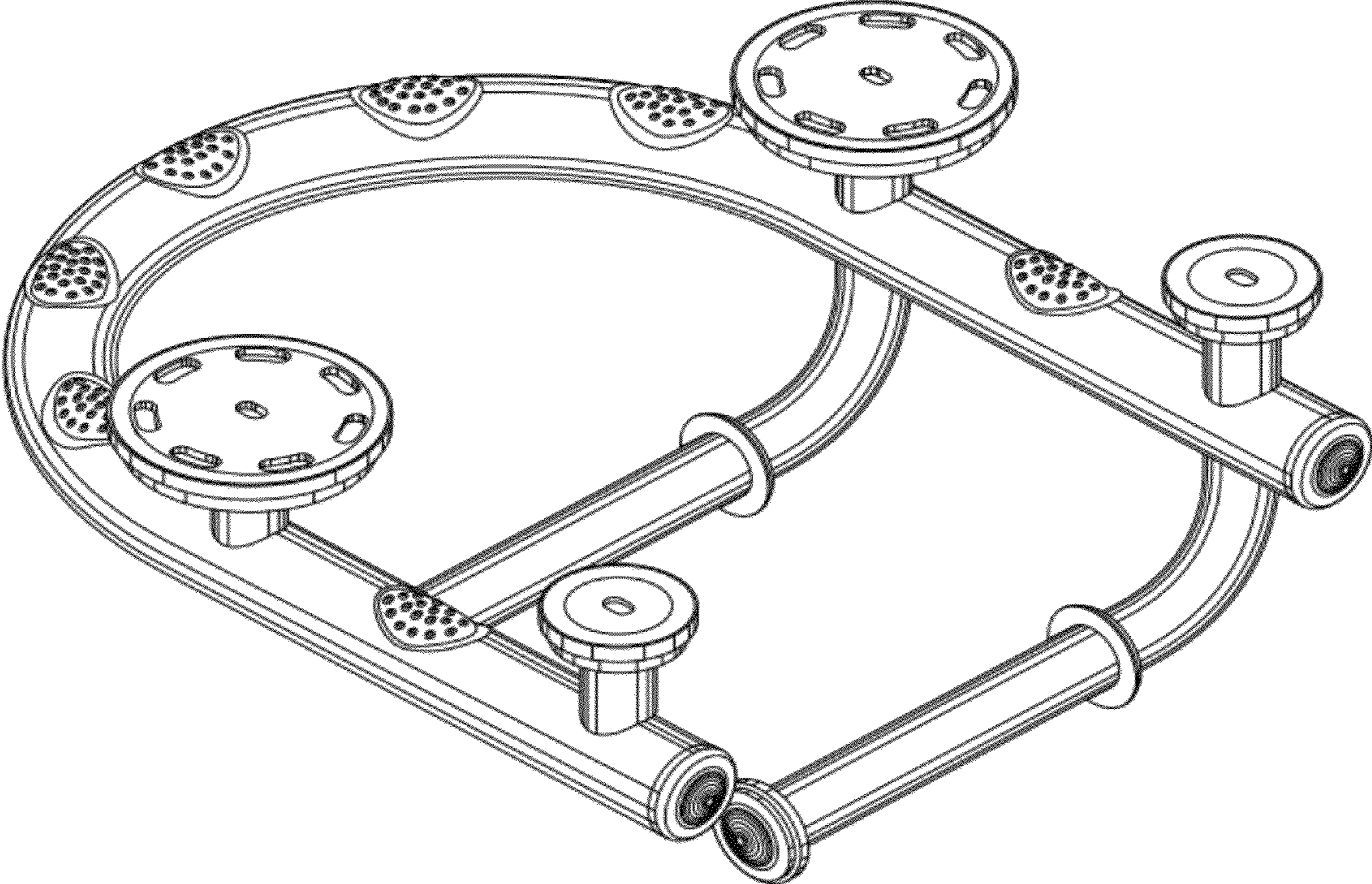


FIG. 2

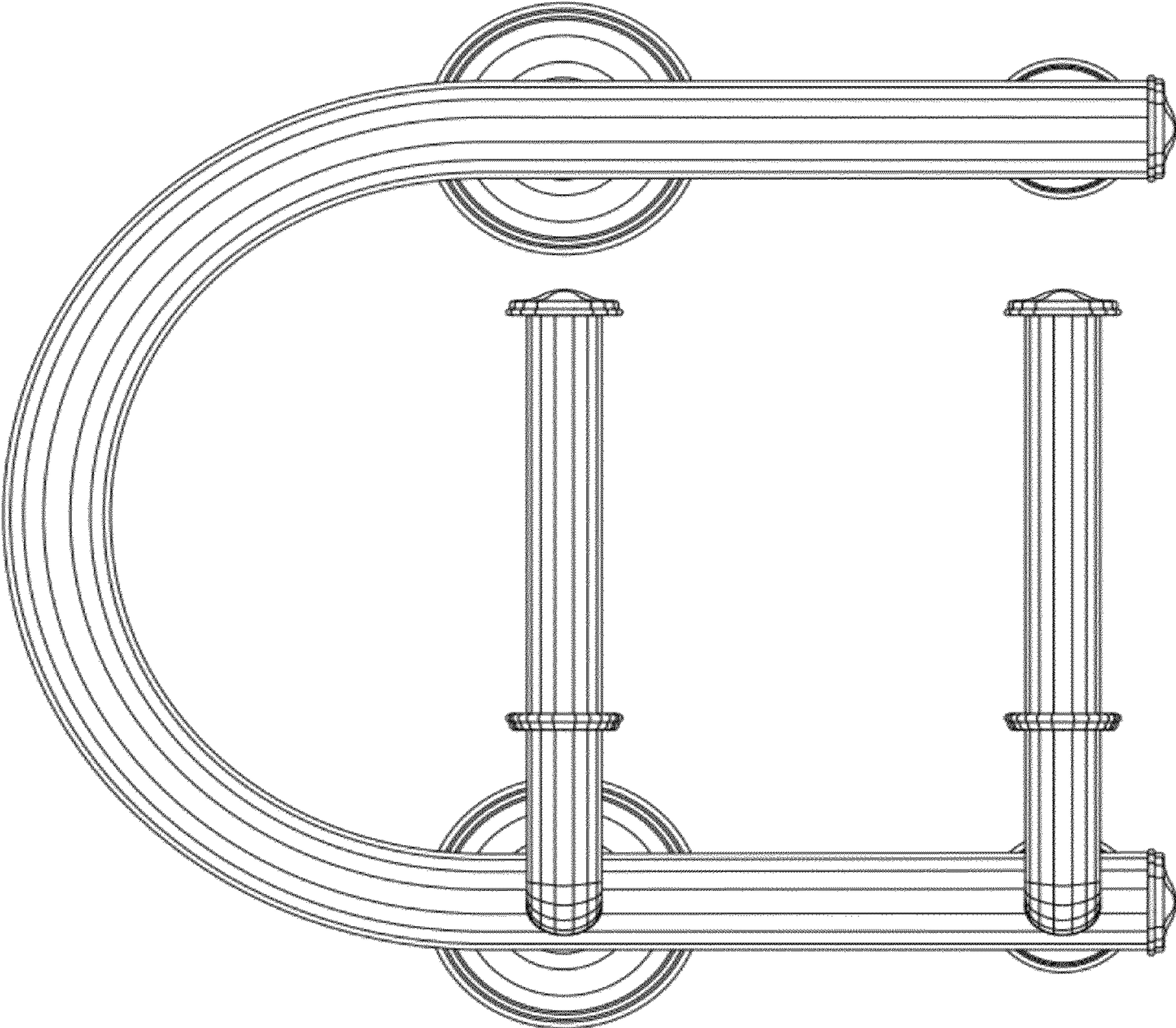


FIG. 3

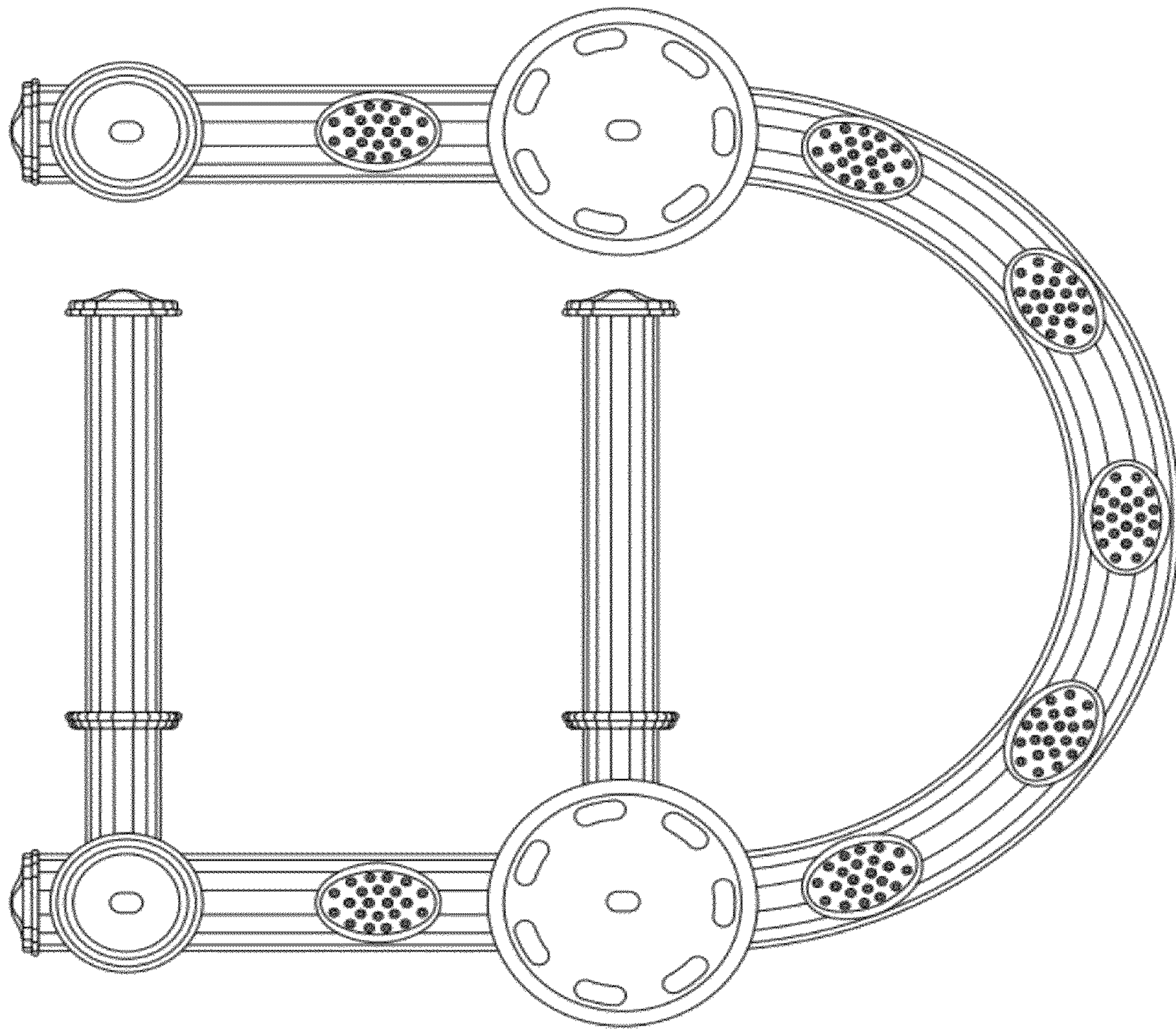


FIG. 4

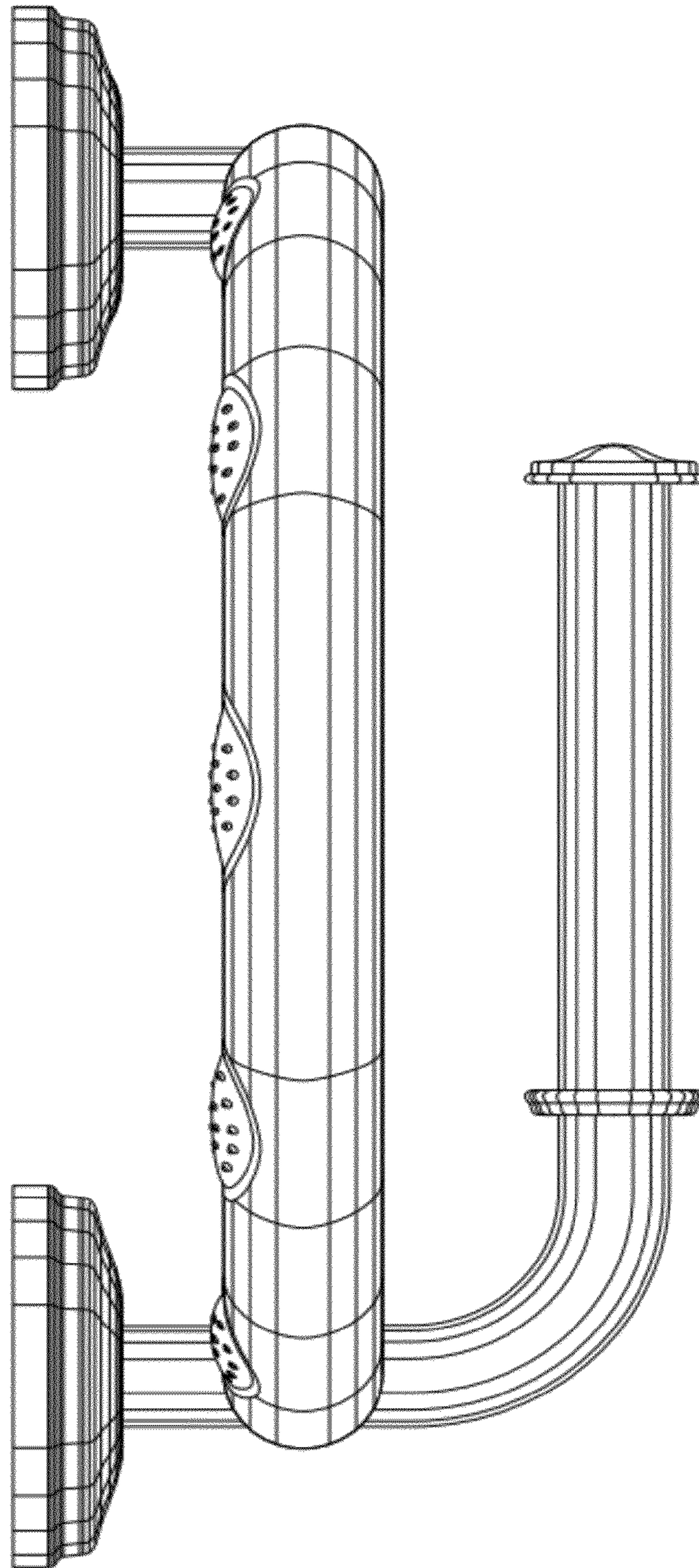


FIG. 5

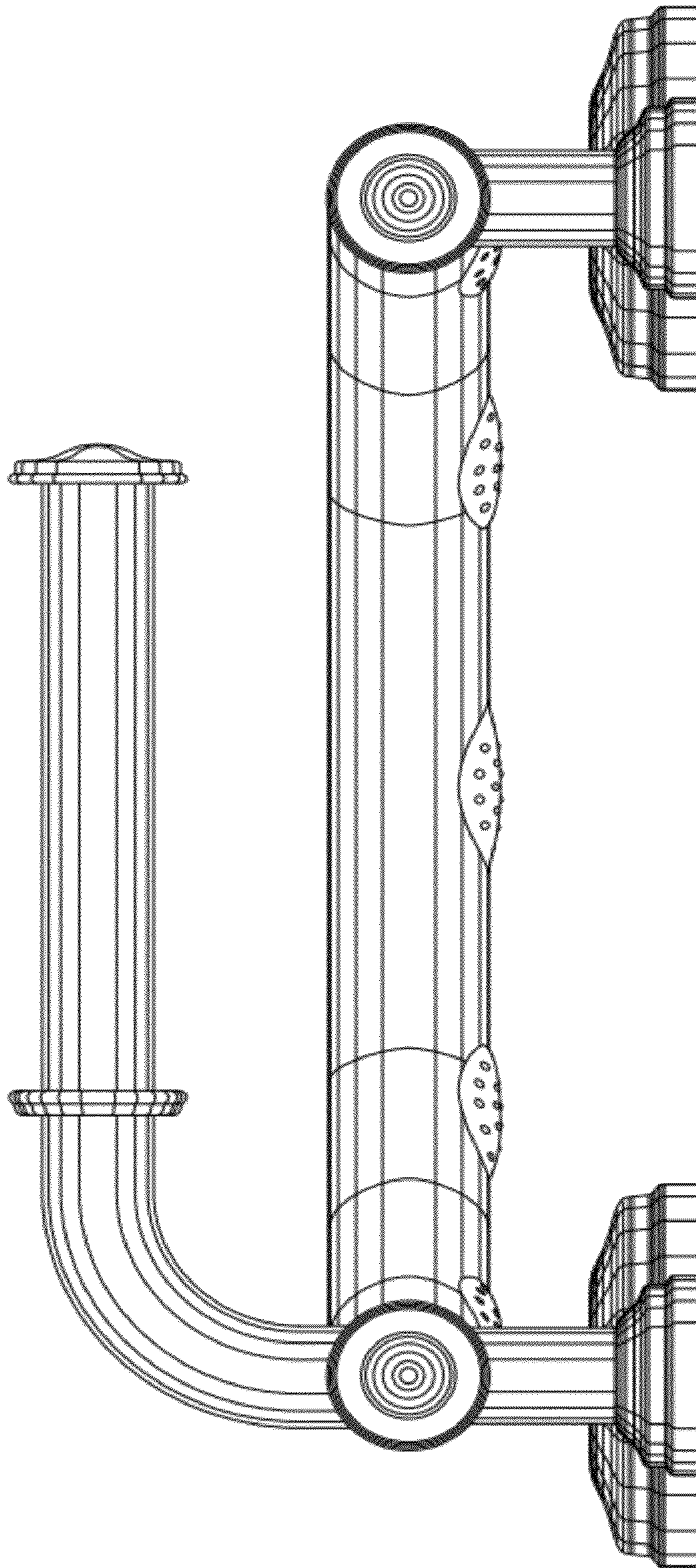


FIG. 6

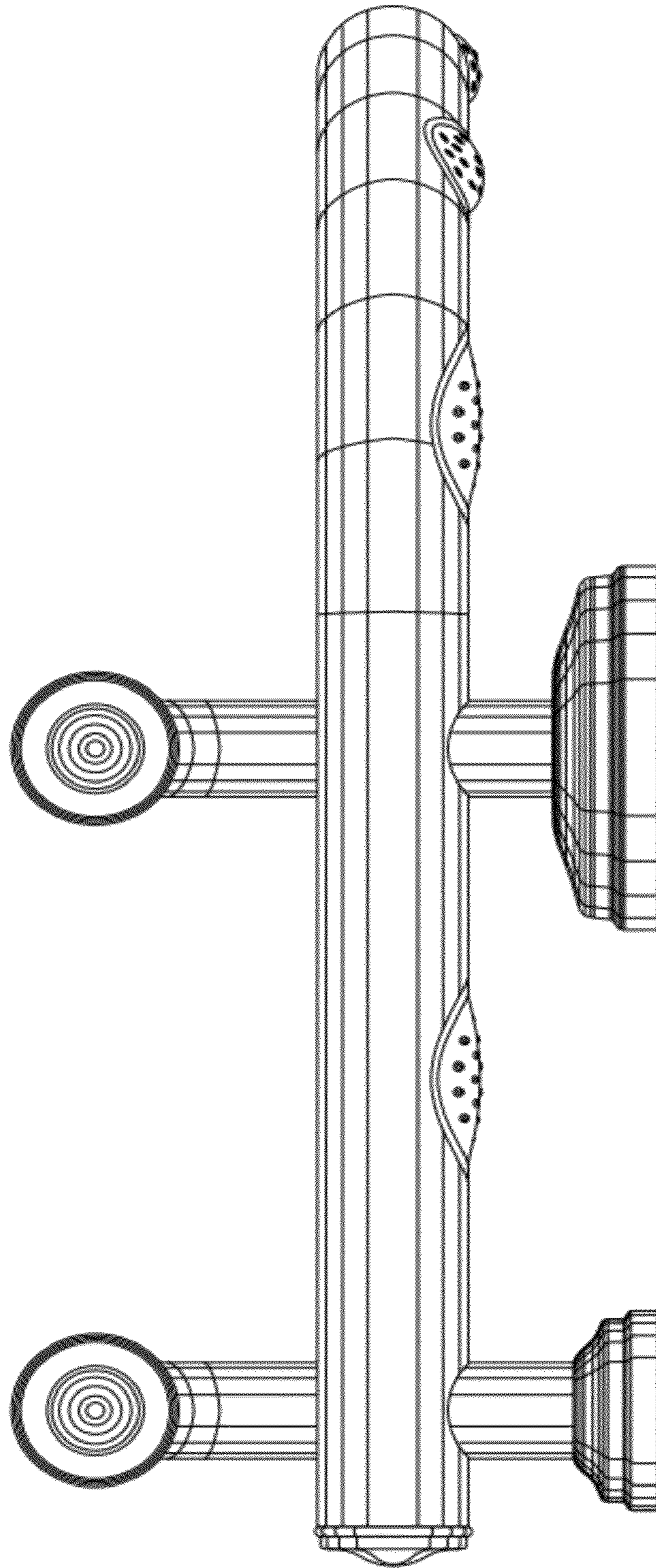


FIG. 7

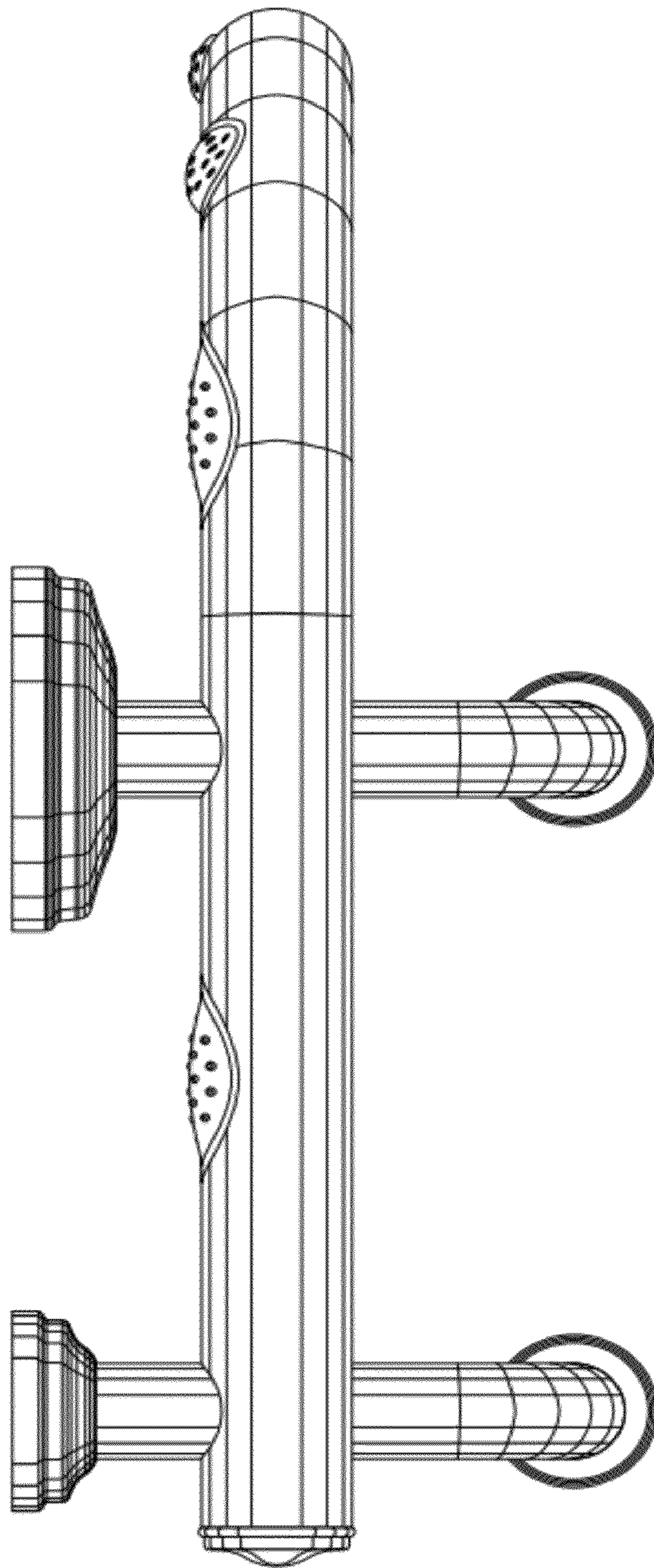


FIG. 8