



US00D666035S

(12) **United States Design Patent**
Velázquez et al.

(10) **Patent No.:** **US D666,035 S**

(45) **Date of Patent:** **** *Aug. 28, 2012**

(54) **ROLLED TOWEL DISPENSER**

(75) Inventors: **Herb Flores Velázquez**, Alpharetta, GA (US); **Richard Paul Lewis**, Marietta, GA (US)

(73) Assignee: **Kimberly-Clark Worldwide, Inc.**, Neenah, WI (US)

(*) Notice: This patent is subject to a terminal disclaimer.

(**) Term: **14 Years**

(21) Appl. No.: **29/403,025**

(22) Filed: **Sep. 30, 2011**

(51) **LOC (9) Cl.** **06-04**

(52) **U.S. Cl.** **D6/518**

(58) **Field of Classification Search** D6/542–545, D6/553, 567, 574, 515–525; 206/77.1; 211/13.1, 211/86.01, 87.01; 221/14, 92, 649, 146.1, 221/146.2, 105; 222/281–282; D23/225; D8/349, 354, 363, 373, 394; D24/155
See application file for complete search history.

(56) **References Cited**

U.S. PATENT DOCUMENTS

D337,227 S * 7/1993 Giugiaro D6/518
D391,104 S * 2/1998 Tramontina D6/518
D408,184 S * 4/1999 Tramontina D6/518
D447,373 S * 9/2001 Fisscher D6/518

D619,836 S * 7/2010 Kim D6/518
D623,452 S * 9/2010 McNeely et al. D6/518
D641,578 S * 7/2011 Meyerhoffer D6/518

OTHER PUBLICATIONS

Co-pending U.S. Appl. No. 29/403,017, filed Sep. 30, 2011, by Velazquez et al. for “A Rolled Tissue Dispenser.”
Co-pending U.S. Appl. No. 29/403,023, filed Sep. 30, 2011, by Velazquez et al. for “A Rolled Towel Dispenser.”

* cited by examiner

Primary Examiner — Brian N Vinson

(74) *Attorney, Agent, or Firm* — Nancy M. Klembus

(57) **CLAIM**

We claim the ornamental design for the rolled towel dispenser, as shown and described.

DESCRIPTION

FIG. 1 is a front-side perspective view of the rolled towel dispenser, showing the design.

FIG. 2 is a bottom-side back perspective view of the rolled towel dispenser.

FIG. 3 is a front view of the rolled towel dispenser.

FIG. 4 is a left-side view of the rolled towel dispenser.

FIG. 5 is a back view of the rolled towel dispenser.

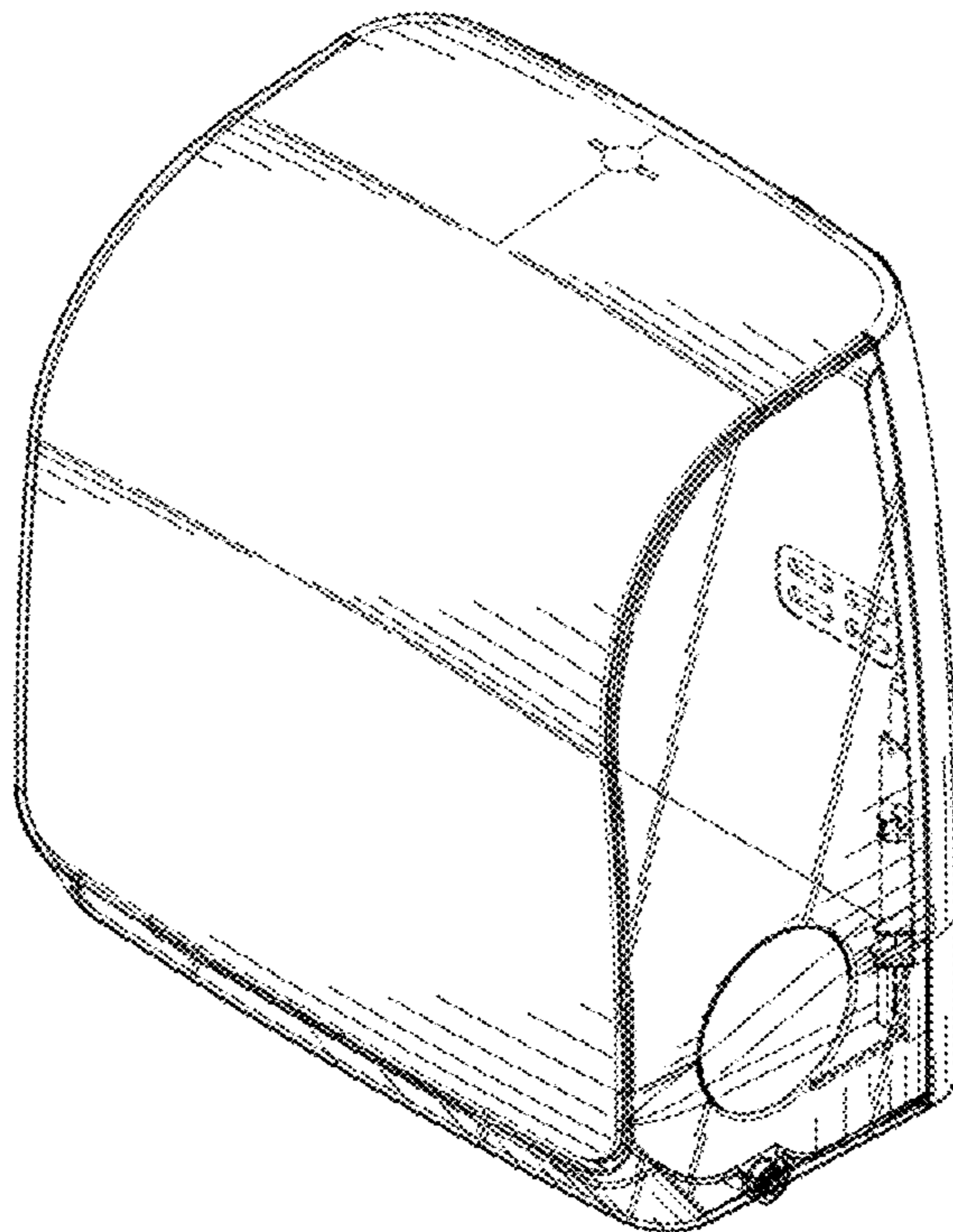
FIG. 6 is a right-side view of the rolled towel dispenser.

FIG. 7 is a top-side view of the rolled towel dispenser; and,

FIG. 8 is a bottom-side view of the rolled towel dispenser.

The broken-line disclosure in the views is understood to represent portions of the article in which the claimed design is embodied, but which form no part of the claimed design.

1 Claim, 7 Drawing Sheets



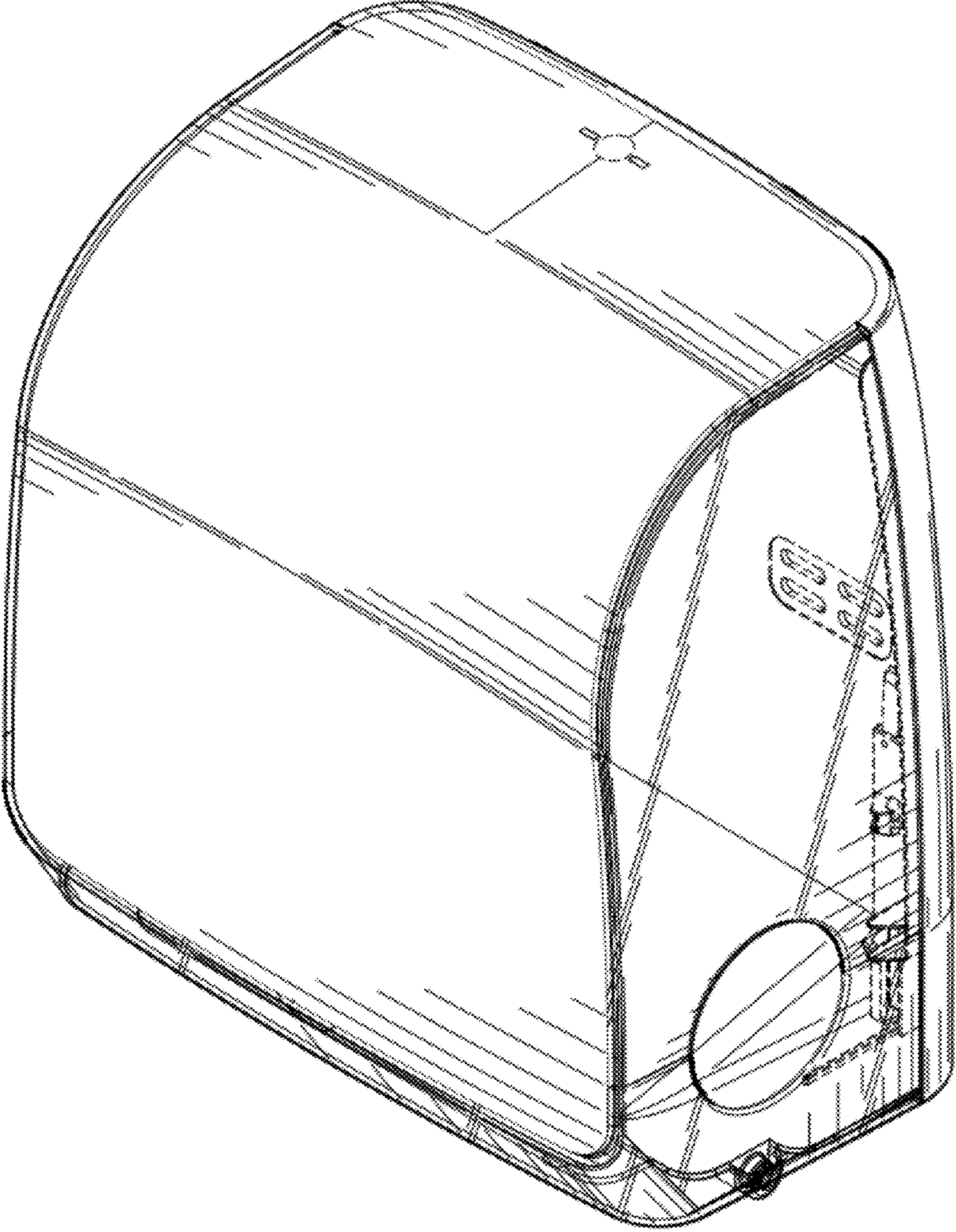


FIG. 1

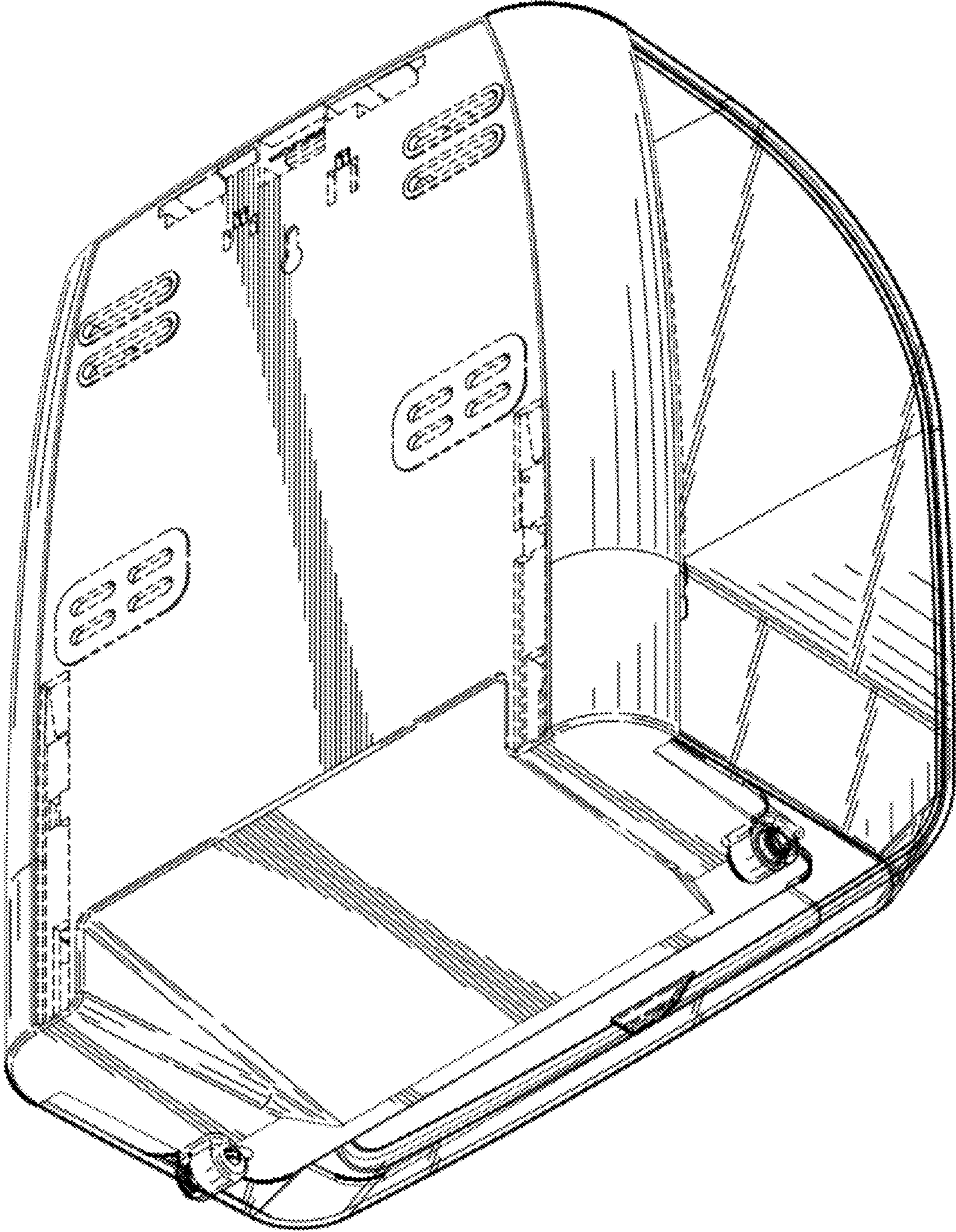


FIG. 2

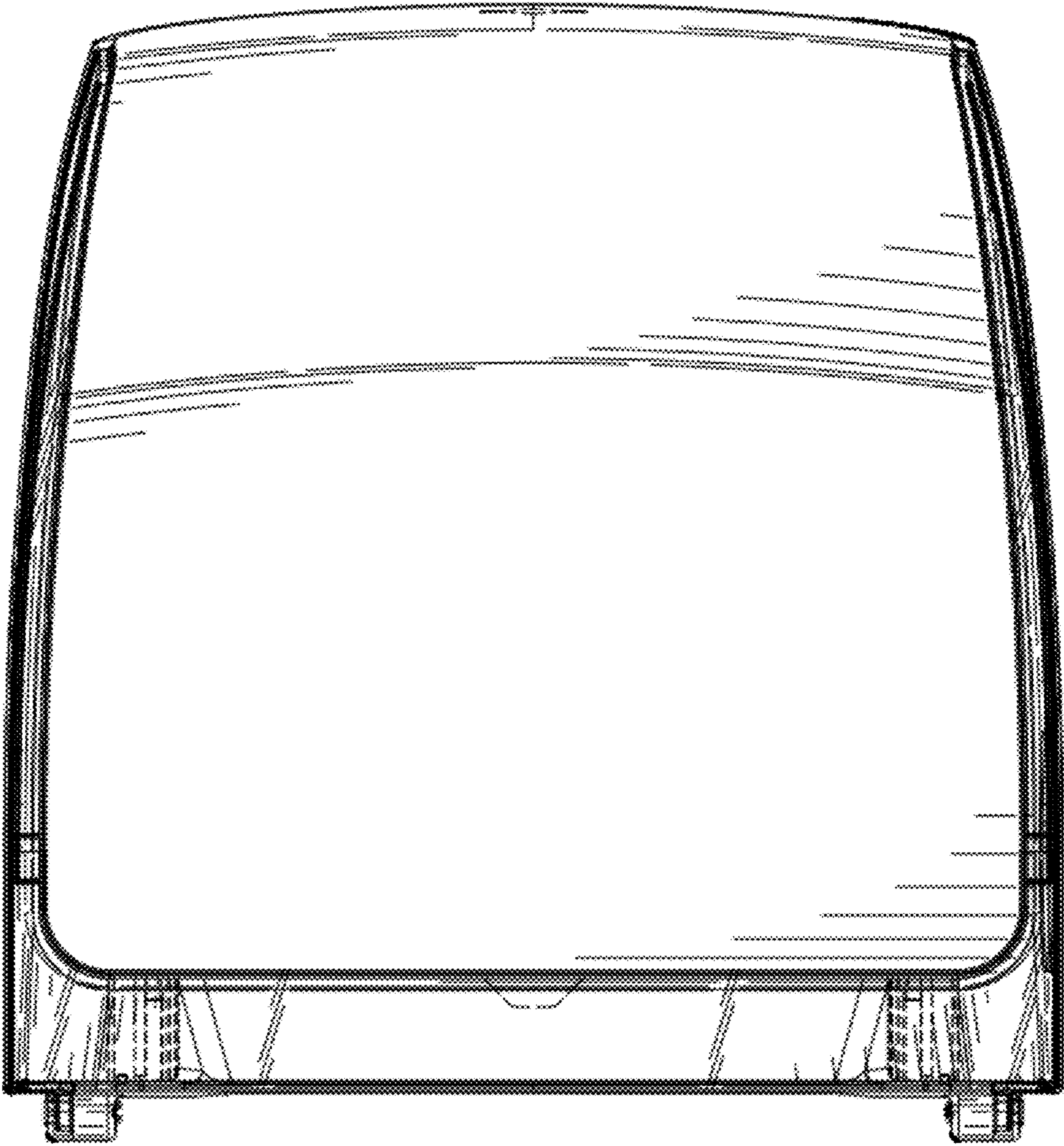


FIG. 3

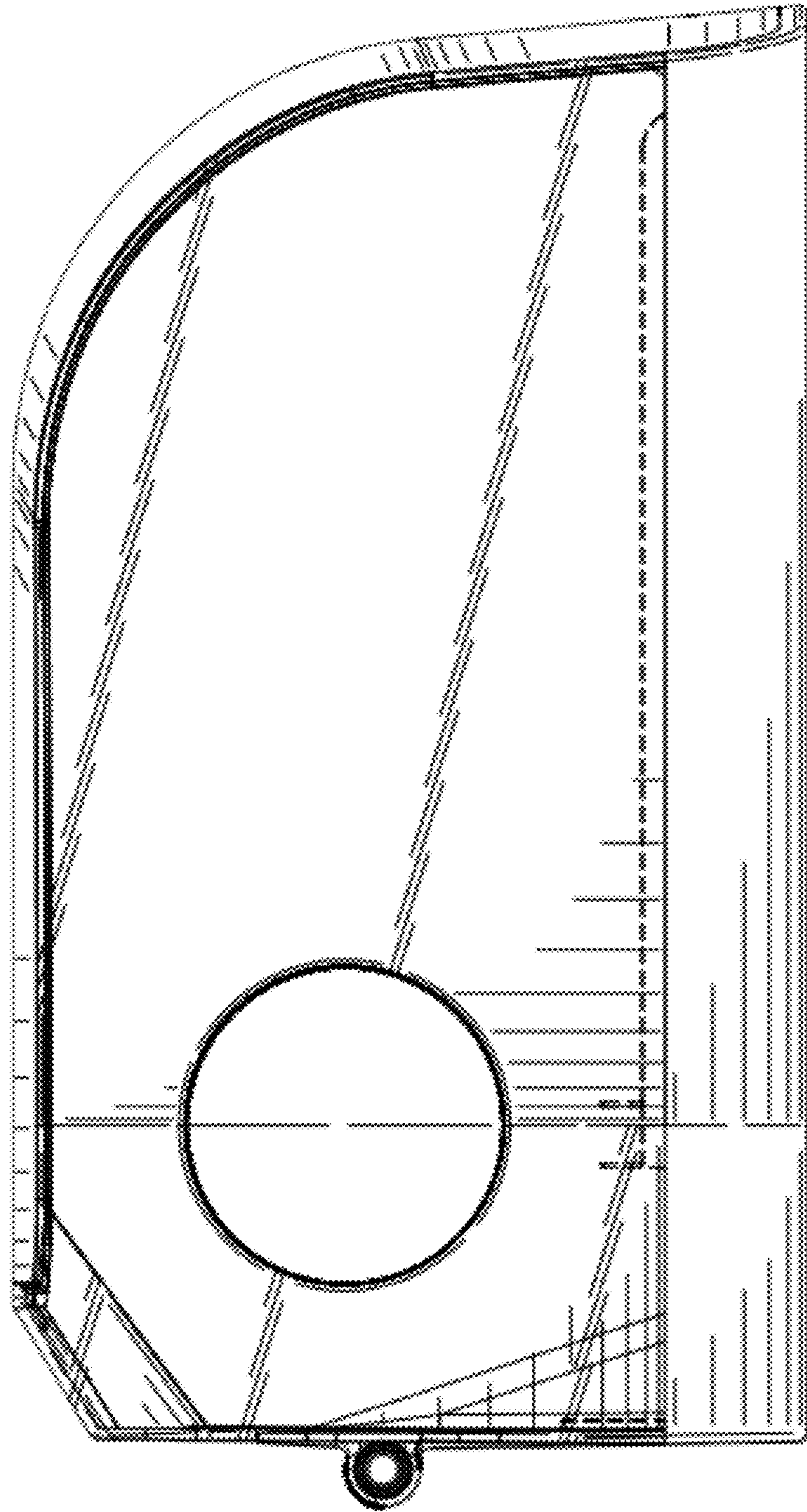


FIG. 4

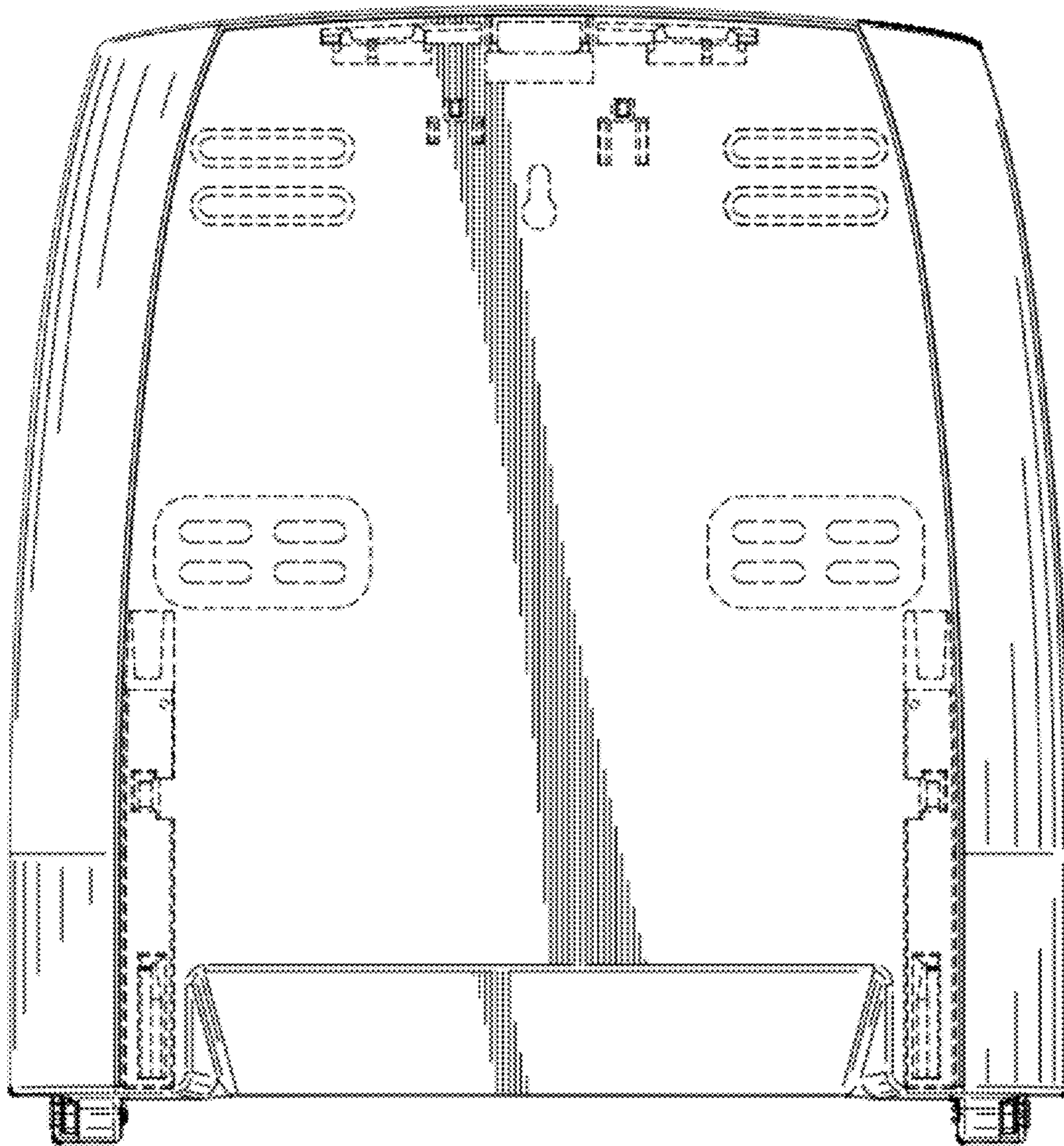


FIG. 5

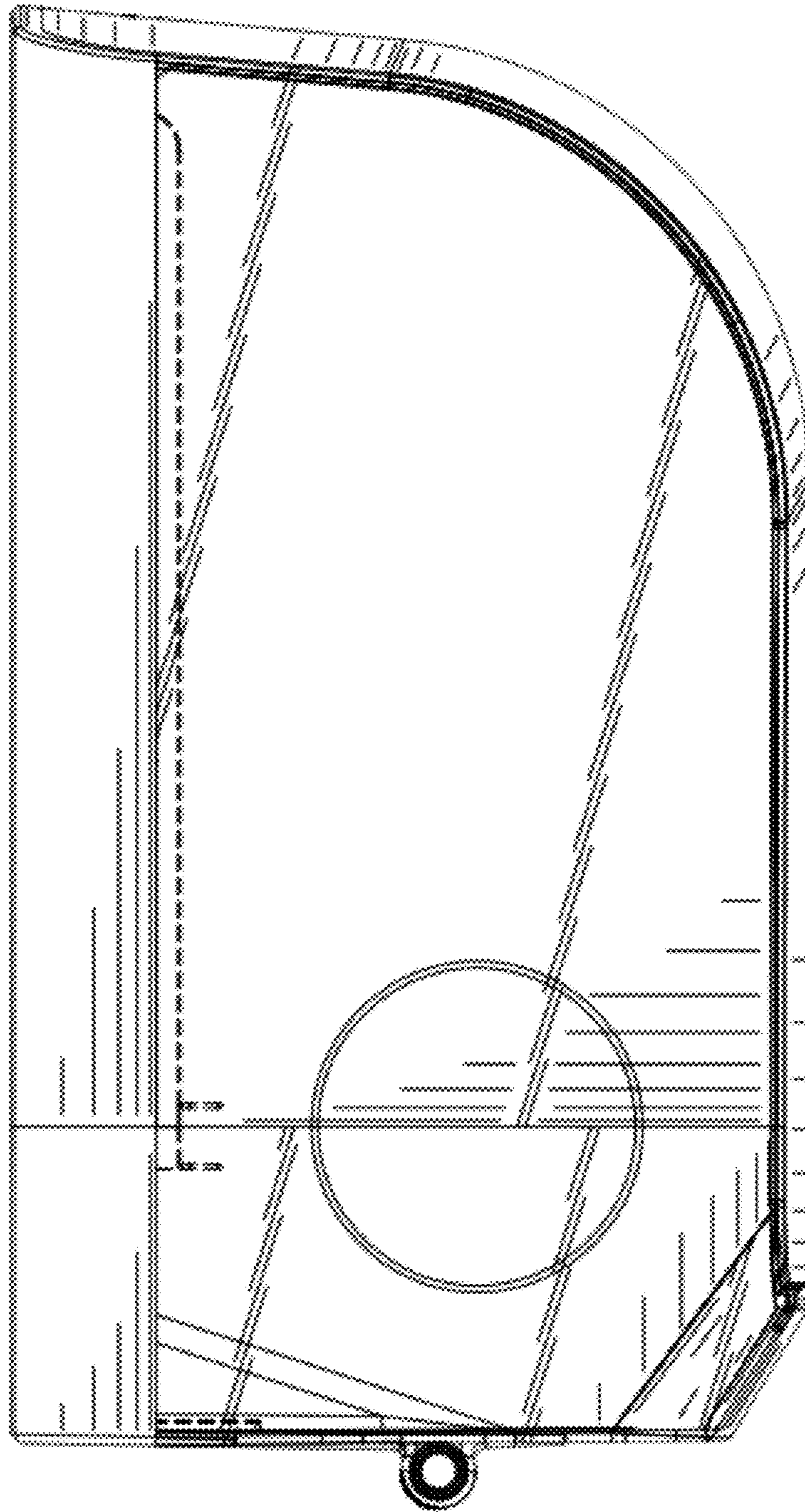


FIG. 6

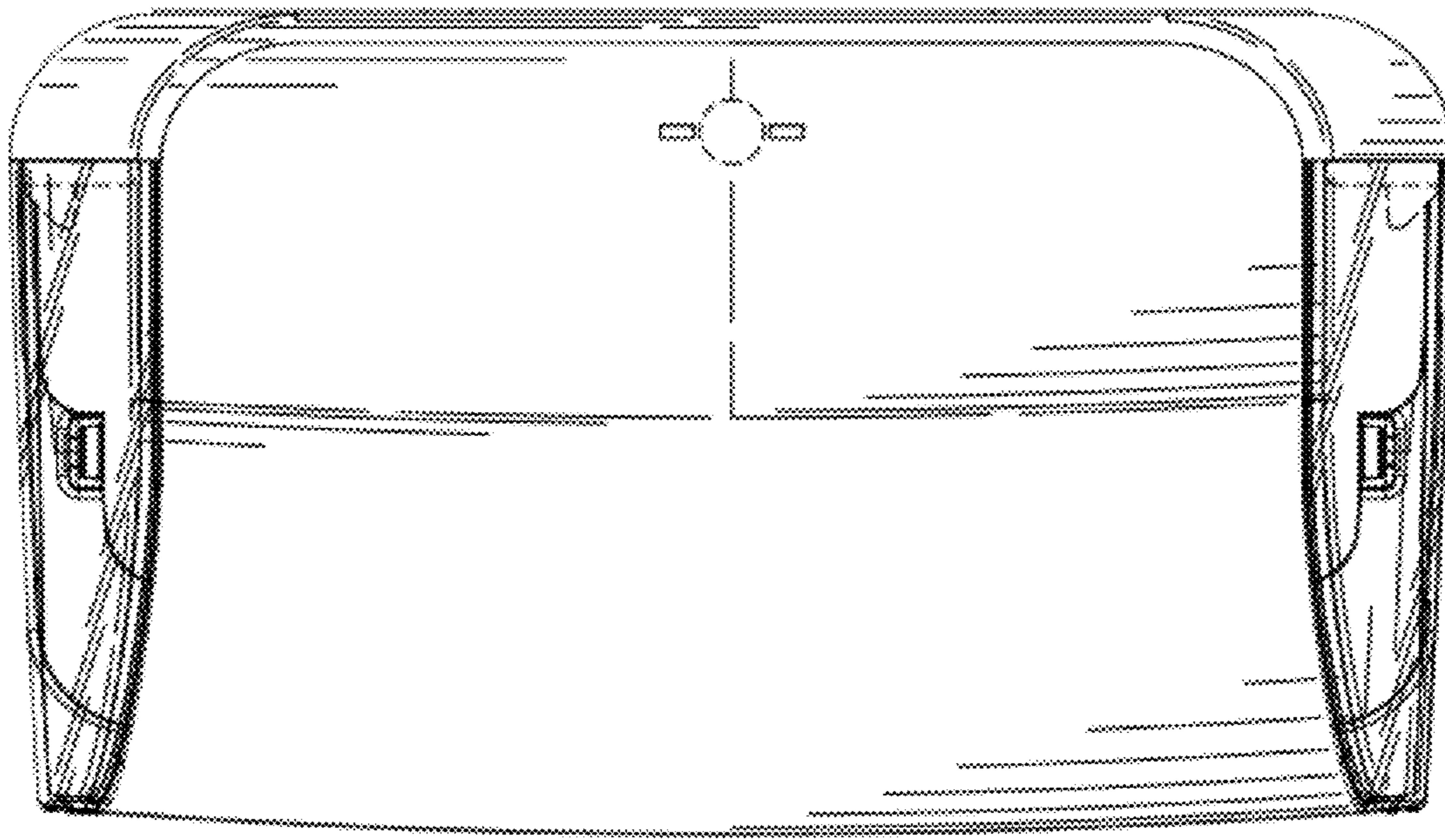


FIG. 7

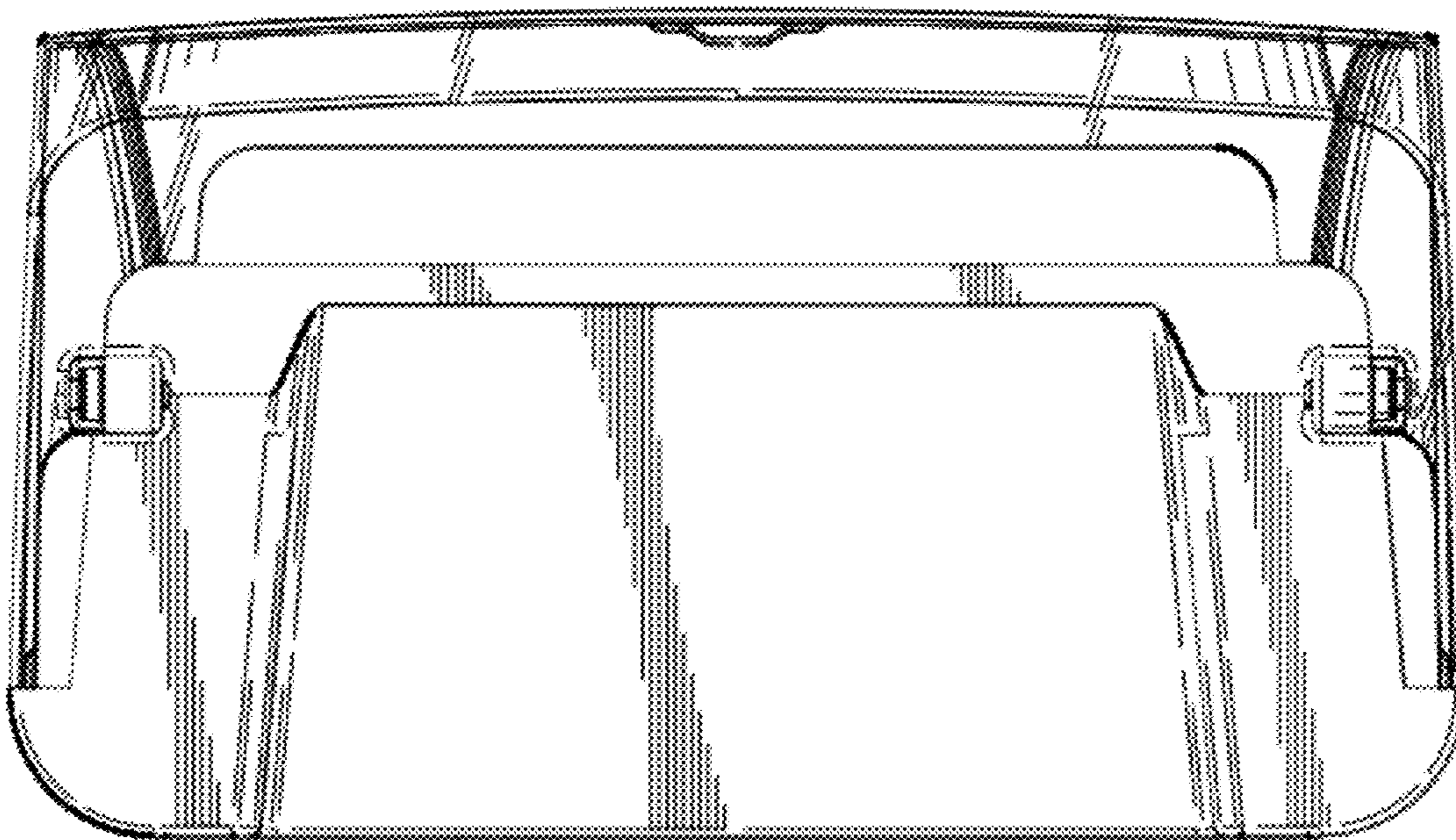


FIG. 8