



US00D666034S

(12) **United States Design Patent**
Gaska et al.

(10) **Patent No.:** **US D666,034 S**

(45) **Date of Patent:** **** Aug. 28, 2012**

(54) **MODULAR CABINET**

(75) Inventors: **Gil Anthony Gaska**, St. Joseph, MI (US); **Leah Z. Lader**, St. Joseph, MI (US); **Todd Christopher Starr**, St. Joseph, MI (US); **Travis M. Perkins**, Granger, IN (US)

(73) Assignee: **Whirlpool Corporation**, Benton Harbor, MI (US)

(**) Term: **14 Years**

(21) Appl. No.: **29/410,688**

(22) Filed: **Jan. 11, 2012**

Related U.S. Application Data

(62) Division of application No. 29/362,096, filed on May 20, 2010, now Pat. No. Des. 654,293, which is a division of application No. 29/298,686, filed on Dec. 11, 2007, now Pat. No. Des. 618,020, which is a division of application No. 29/251,333, filed on Jan. 6, 2006, now Pat. No. Des. 561,506.

(51) **LOC (9) Cl.** **06-06**

(52) **U.S. Cl.** **D6/510**

(58) **Field of Classification Search** D3/241;
D6/420-436, 445-448, 460-468, 474-479,
D6/492-495, 510-511, 553, 559-561; D8/351;
D15/91; D21/686; D25/47-48, 58, 103-111,
D25/119, 138-142, 152-163; D34/27, 31;
52/177; 312/10, 204, 242-245, 249.9
See application file for complete search history.

(56) **References Cited**

U.S. PATENT DOCUMENTS

D491,585 S * 6/2004 Schmidt et al. D15/91
D495,912 S * 9/2004 Schmidt et al. D6/561
D497,921 S * 11/2004 Schmidt et al. D15/91

D500,059 S * 12/2004 Schmidt et al. D15/91
D502,556 S * 3/2005 Zimmerle et al. D25/138
D503,839 S * 4/2005 Schmidt et al. D34/27
D503,840 S * 4/2005 Schmidt et al. D34/27
D504,989 S * 5/2005 Schmidt et al. D34/27
D507,390 S * 7/2005 Schmidt et al. D34/27
D507,914 S * 8/2005 Schmidt et al. D6/510
D508,503 S * 8/2005 Schmidt et al. D15/91
6,926,376 B2 * 8/2005 Arent et al. 312/249.9
D510,831 S * 10/2005 Schmidt et al. D6/510
D513,809 S * 1/2006 Zimmerle et al. D25/138
D514,854 S * 2/2006 Schmidt et al. D6/510
D515,342 S * 2/2006 Schmidt et al. D6/510
D518,984 S * 4/2006 Schmidt et al. D6/510

(Continued)

Primary Examiner — Ricky Pham

(74) *Attorney, Agent, or Firm* — Michel M. Rose

(57) **CLAIM**

The ornamental design for a modular cabinet, as shown and described.

DESCRIPTION

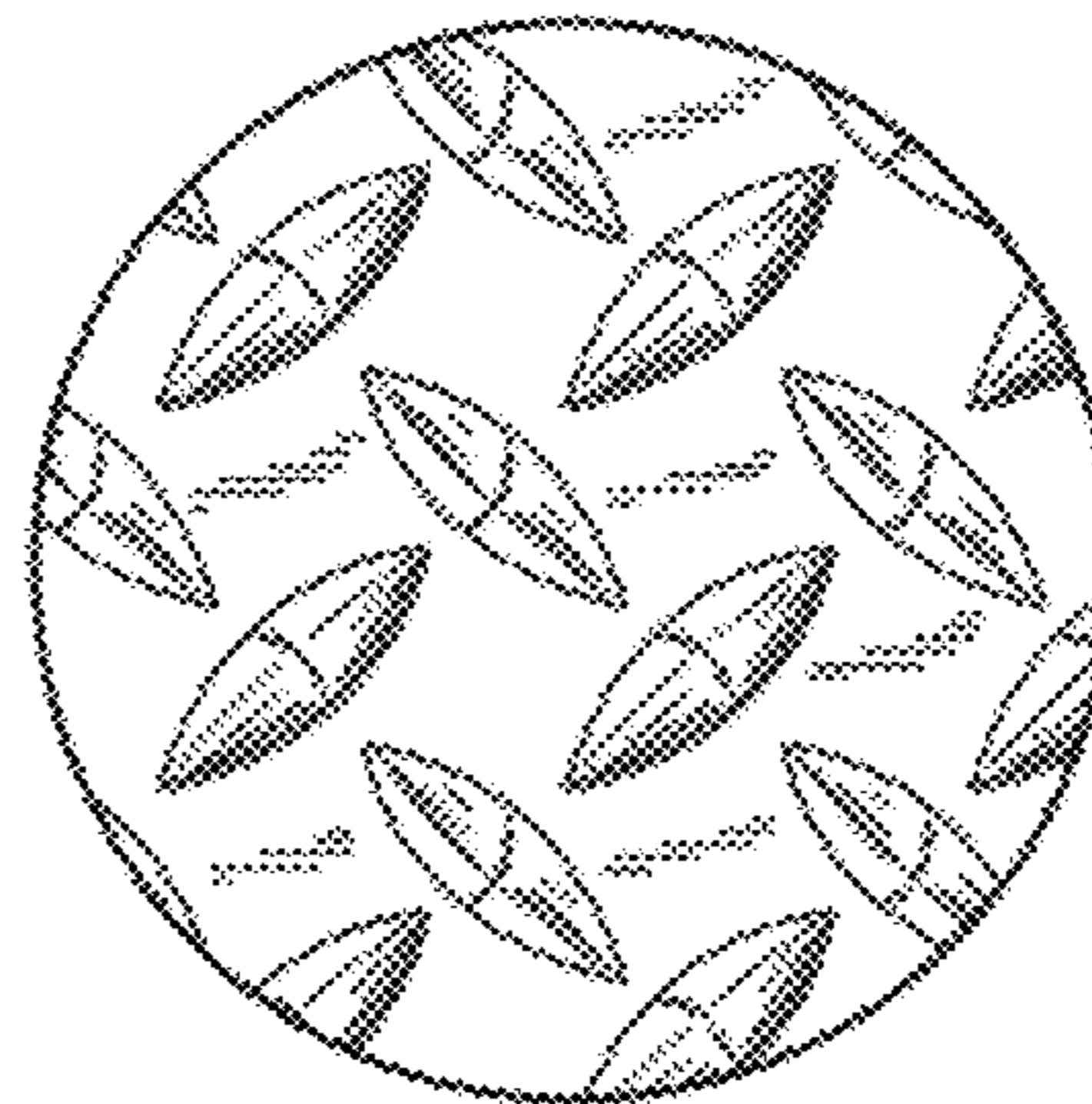
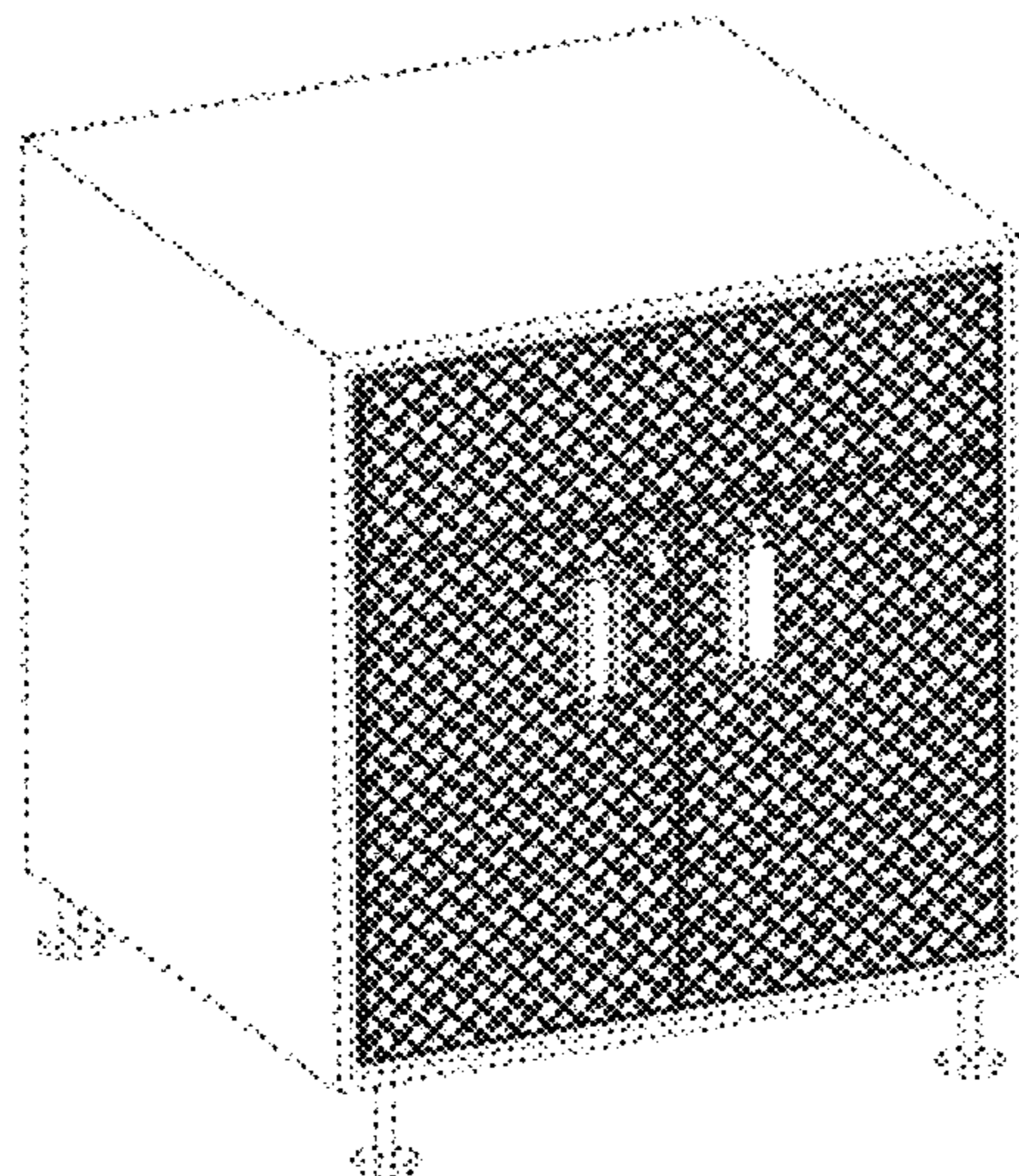
FIG. 1 is a left front perspective view of the design of the modular cabinet;

FIG. 2 is a front elevational view thereof. The ornamental design is not visible in a rear view, top plan view, right or left side views or bottom view; and,

FIG. 3 is an enlarged view of the pattern on the modular cabinet doors and drawer.

The characteristic feature of the ornamental design resides in the use of a pattern on the modular cabinet doors and drawer. Those portions of modular cabinet in broken lines, specifically the surfaces of the modular cabinet at the side and bottom edges of the doors and the top and side edges of the drawer and the surfaces extending back from the doors and drawers including other surfaces of the modular cabinet including the legs are for illustrative purposes only and not part of the claimed invention.

1 Claim, 2 Drawing Sheets



US D666,034 S

Page 2

U.S. PATENT DOCUMENTS

D520,784 S *	5/2006	Schmidt et al.	D6/510	D603,161 S *	11/2009	Harris	D3/241
D521,285 S *	5/2006	Schmidt et al.	D6/510	D605,446 S *	12/2009	Schmidt et al.	D6/561
D527,212 S *	8/2006	Schmidt et al.	D6/510	7,634,876 B2 *	12/2009	Moller, Jr.	52/177
D547,636 S *	7/2007	Bartrom	D8/351	D614,898 S *	5/2010	Schmidt et al.	D6/561
D550,012 S *	9/2007	Schmidt et al.	D6/561	D623,881 S *	9/2010	Schmidt et al.	D6/561
D582,624 S *	12/2008	Zhang	D34/31	D635,378 S *	4/2011	Schmidt et al.	D6/492
D587,503 S *	3/2009	Schmidt et al.	D6/561	D637,849 S *	5/2011	Schmidt et al.	D6/561
D595,870 S *	7/2009	Moller et al.	D25/163	D654,293 S *	2/2012	Gaska et al.	D6/510
D595,871 S *	7/2009	Moller et al.	D25/163	D654,736 S *	2/2012	Gaska et al.	D6/510
D599,419 S *	9/2009	Chiuchiarelli	D21/686				

* cited by examiner

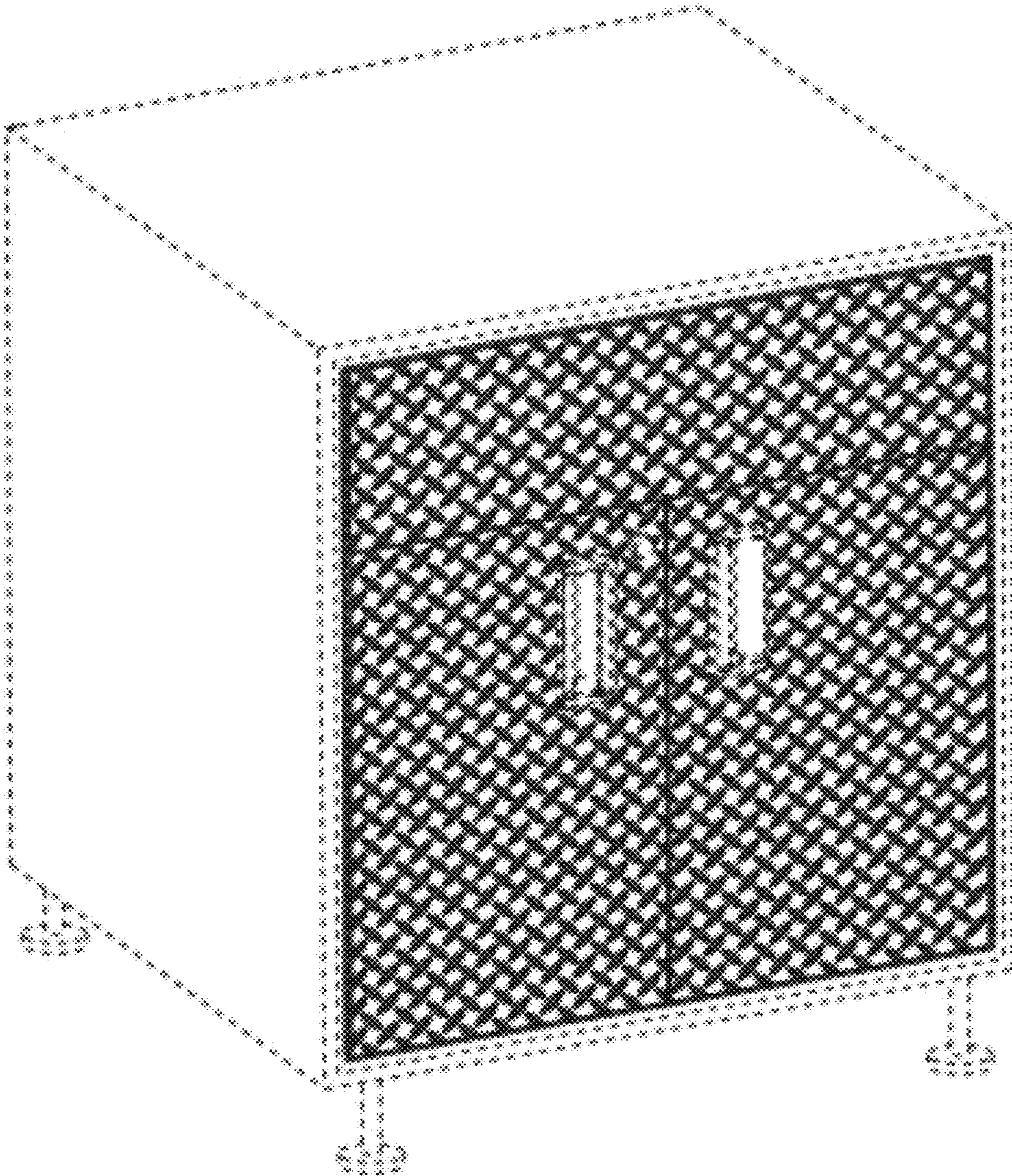


Fig. 1

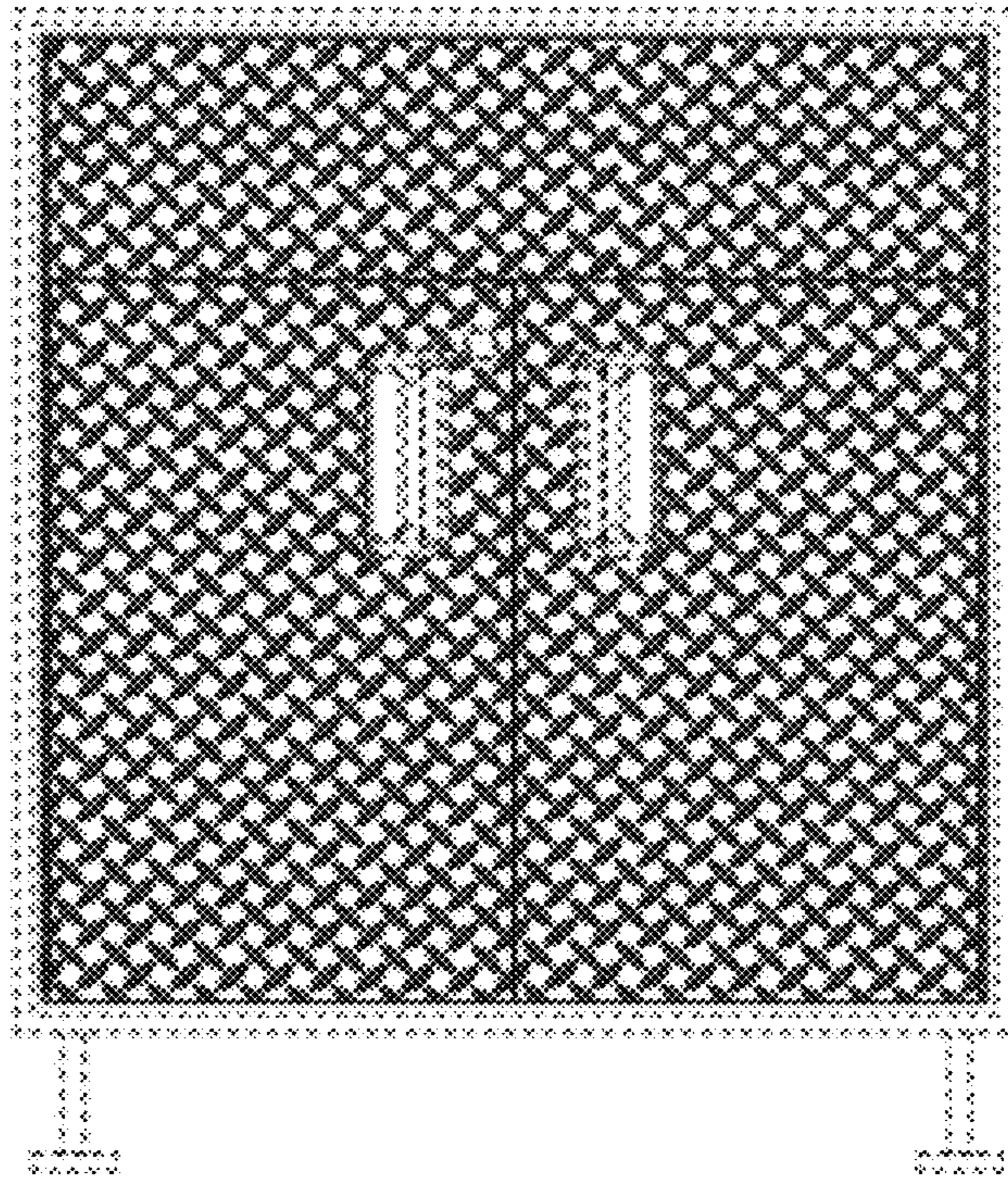


Fig. 2

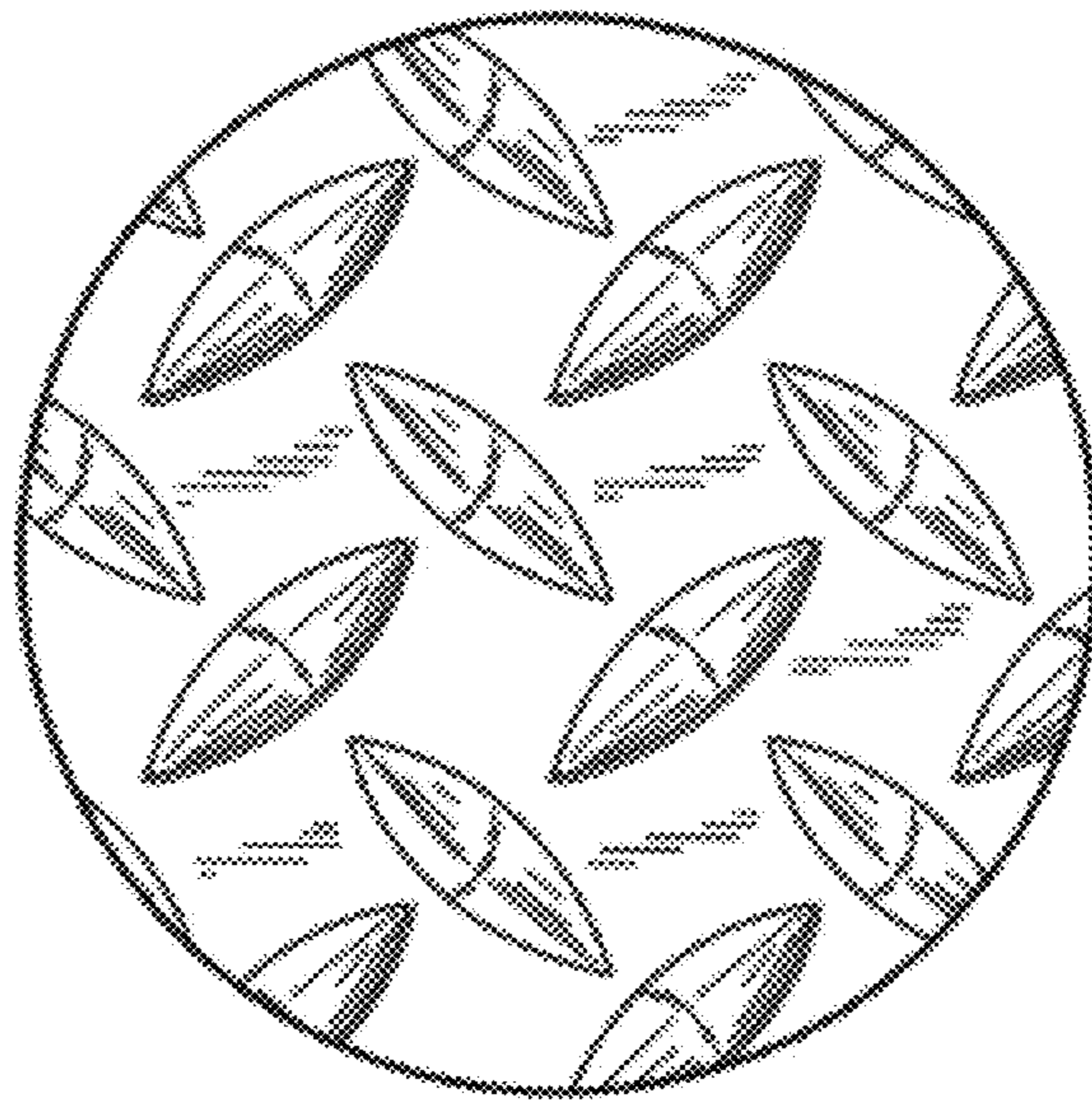


Fig. 3