



US00D666028S

(12) **United States Design Patent**
LeHew et al.

(10) **Patent No.:** **US D666,028 S**

(45) **Date of Patent:** **** Aug. 28, 2012**

(54) **FURNITURE SECTIONAL**

(75) Inventors: **Gregory Yun LeHew**, Delano, MN (US); **Bryn Renee Peterson**, Minneapolis, MN (US); **Chad Michael Bogdan**, St. Paul, MN (US); **Timothy Blake Kehoe**, Edina, MN (US); **William Bradley Peterson**, Minneapolis, MN (US)

(73) Assignee: **Target Brands, Inc.**, Minneapolis, MN (US)

(**) Term: **14 Years**

(21) Appl. No.: **29/392,432**

(22) Filed: **May 20, 2011**

(51) **LOC (9) Cl.** **06-01**

(52) **U.S. Cl.** **D6/495**

(58) **Field of Classification Search** D6/334-336, D6/364, 365, 369, 371, 373, 374, 375, 376, D6/378, 379, 380, 495, 499, 500-502; 248/188.1; 297/440.1, 440.14, 440.15, 445.1, 448.2, 297/451.4, 452.46

See application file for complete search history.

(56) **References Cited**

U.S. PATENT DOCUMENTS

D69,323 S *	1/1926	Karsh	D6/495
D96,029 S *	6/1935	Fox	D6/495
D132,793 S *	6/1942	Reiss	D6/364
D197,967 S *	4/1964	Waitzman	D6/495
D243,728 S *	3/1977	Offredi	D6/364
D252,120 S *	6/1979	O'Connor	D6/495
4,305,616 A *	12/1981	Martinez	297/440.15
D319,747 S *	9/1991	Bales et al.	D6/495

D468,562 S *	1/2003	Chang	D6/495
D486,665 S *	2/2004	Weaver	D6/499
D641,185 S *	7/2011	Schopmeyer	D6/495
7,988,236 B2 *	8/2011	Brandtner	297/440.1
D649,382 S *	11/2011	Schopmeyer	D6/495
8,066,244 B2 *	11/2011	Hsieh	248/188.1

OTHER PUBLICATIONS

Pattern Pick Me Up—Swide Magazine, <http://www.swide.com/luxury-magazine/Life/Good-s-/pattern-pick-me-up-by-christa-rose-falk/2011/2/16>, Feb. 16, 2011.

* cited by examiner

Primary Examiner — Mimoso De

(74) *Attorney, Agent, or Firm* — Leanne Taveggia Farrell; Westman, Champlin & Kelly, P.A.

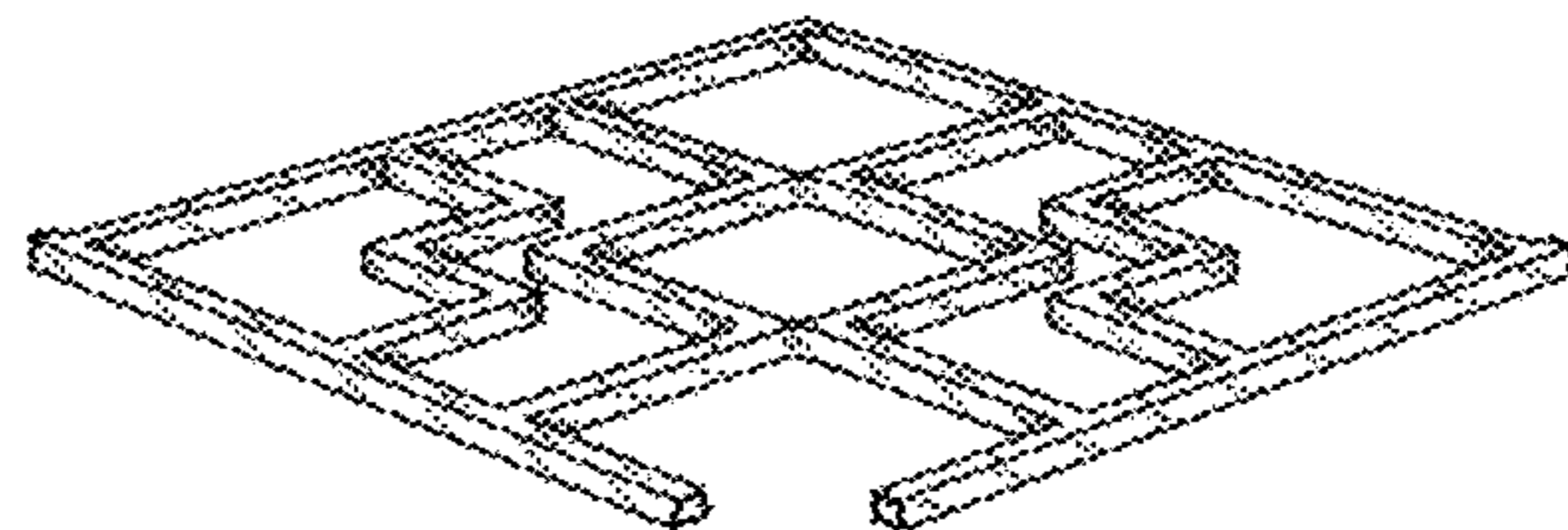
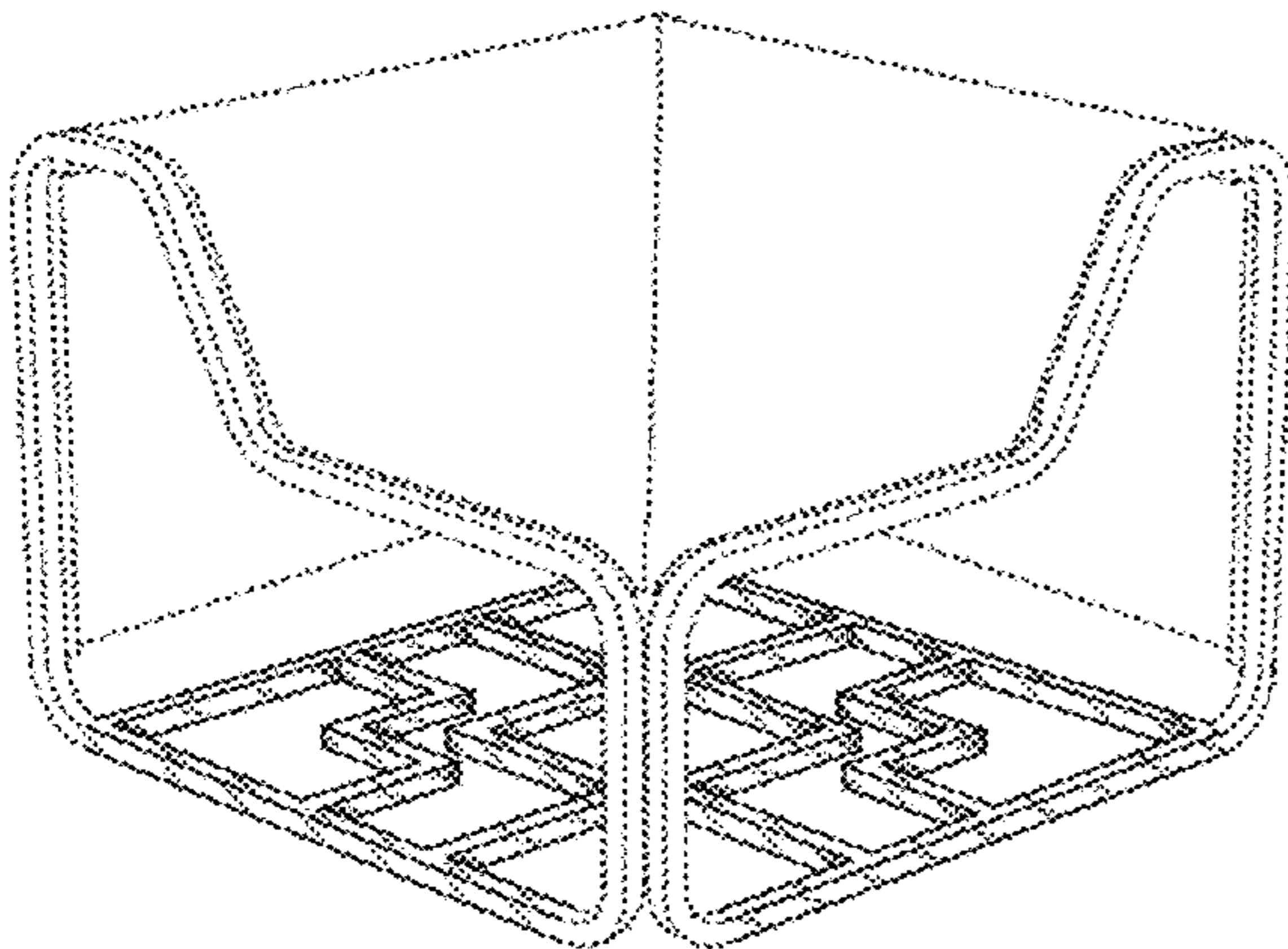
(57) **CLAIM**

The ornamental design for a furniture sectional, as shown and described.

DESCRIPTION

FIG. 1 is a perspective view of the furniture sectional. FIG. 2 is a perspective view of the furniture sectional with unclaimed subject matter removed. FIG. 3 is a front elevational view of the furniture sectional. FIG. 4 is a rear elevational view of the furniture sectional. FIG. 5 is a left side view of the furniture sectional. FIG. 6 is a right side view of the furniture sectional. FIG. 7 is a bottom view of the furniture sectional; and, FIG. 8 is a top view of the furniture sectional. The broken lines in FIGS. 1 and 3-8 form no part of the claimed design.

1 Claim, 5 Drawing Sheets



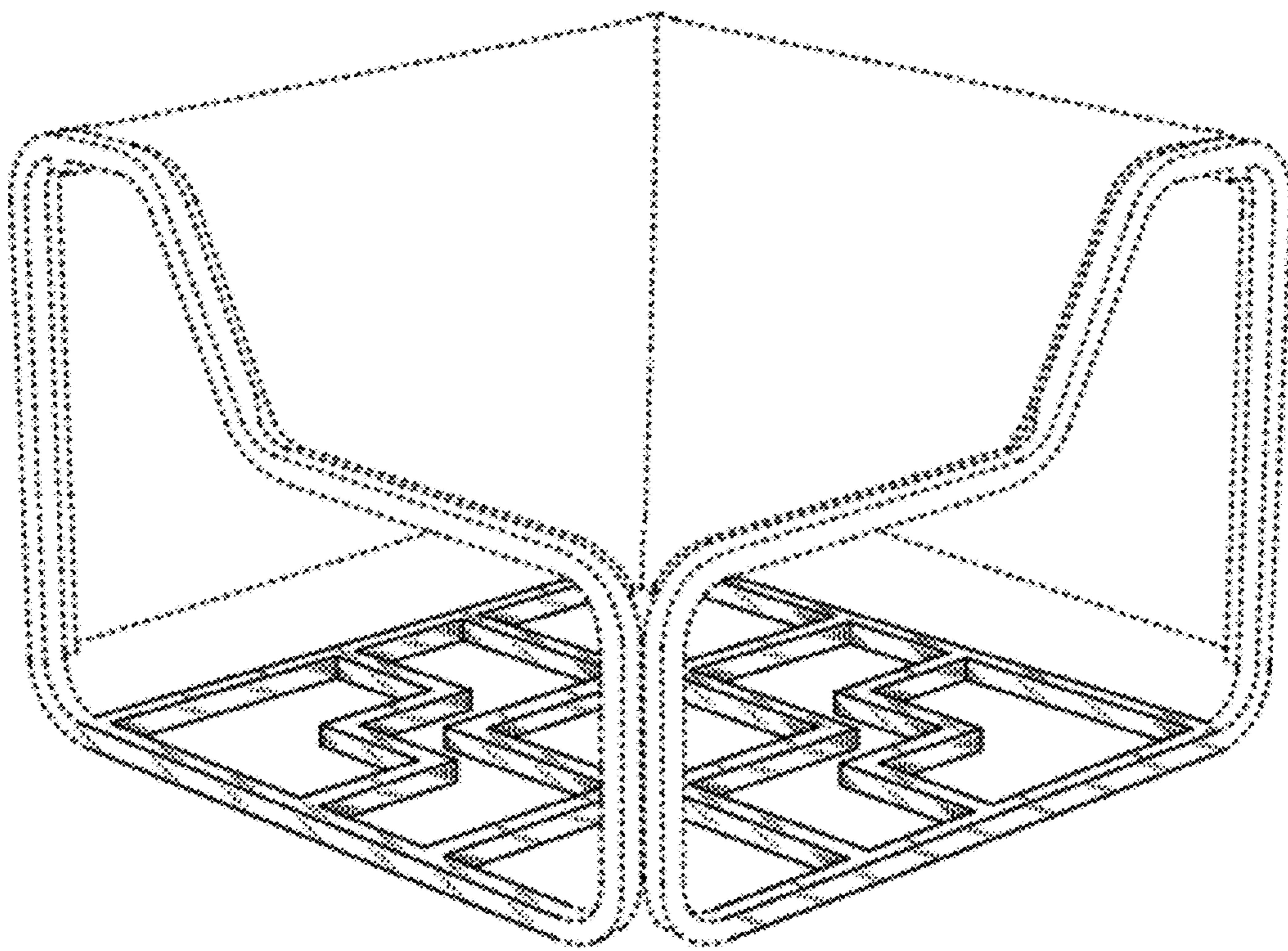


Fig. 1

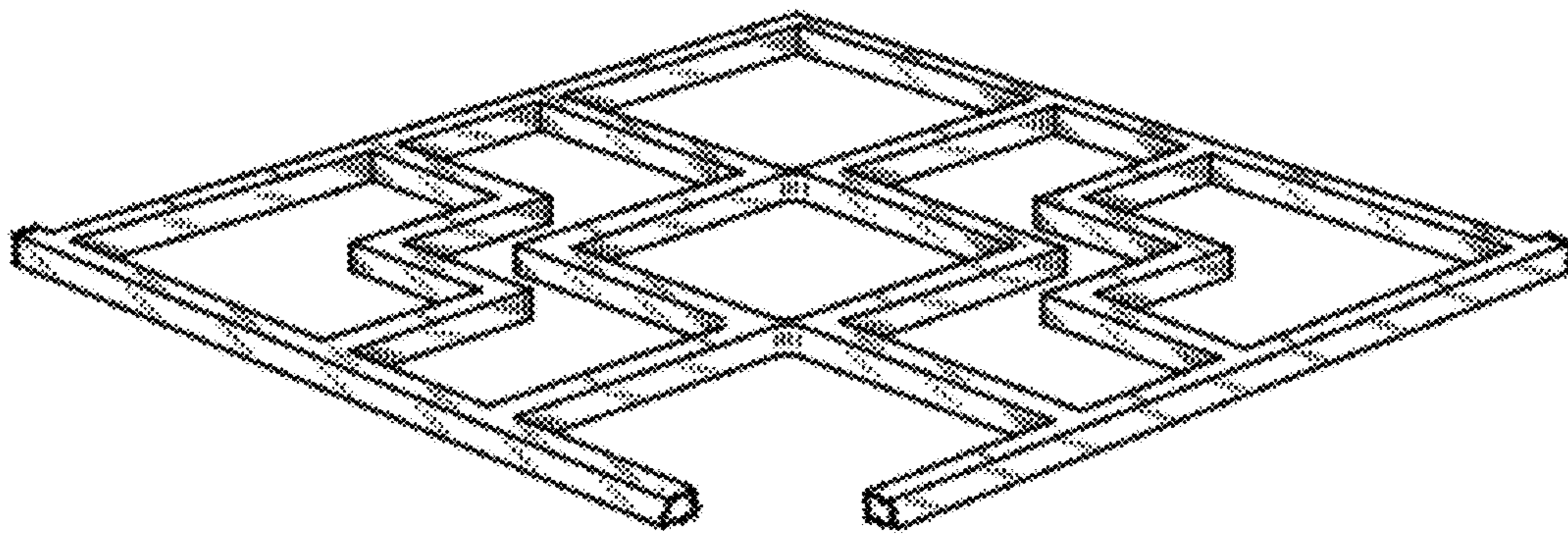


Fig. 2

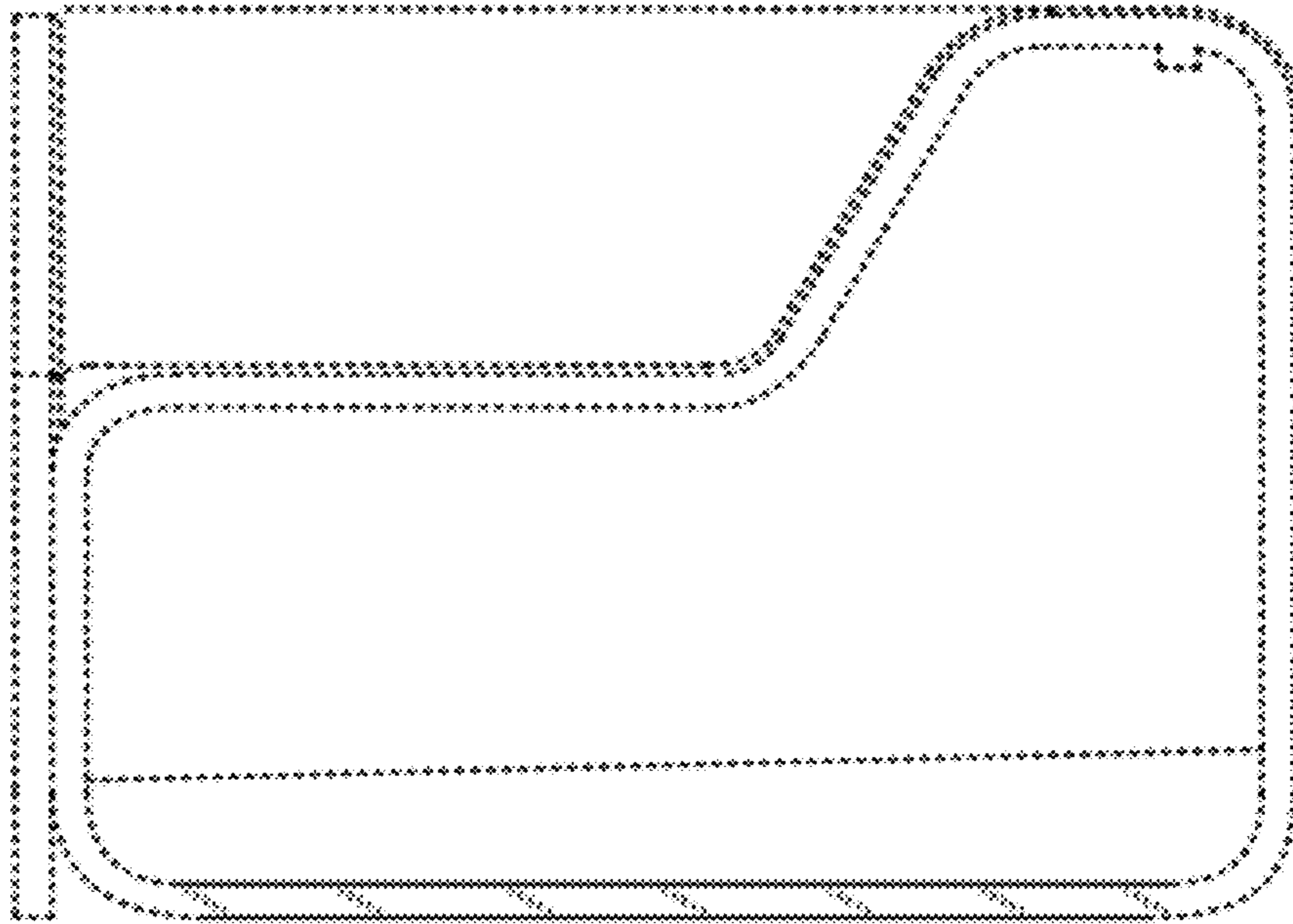


Fig. 3

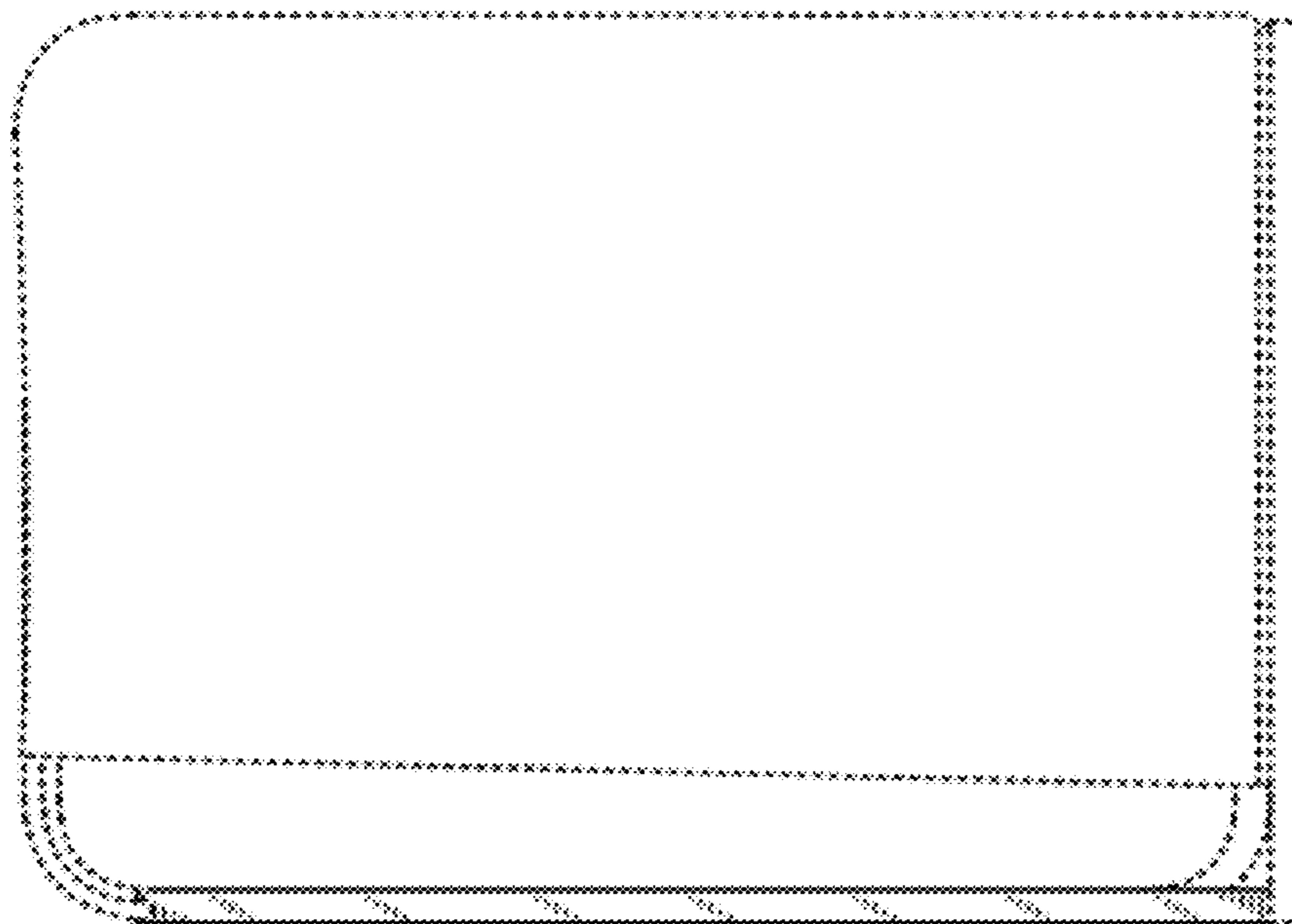


Fig. 4

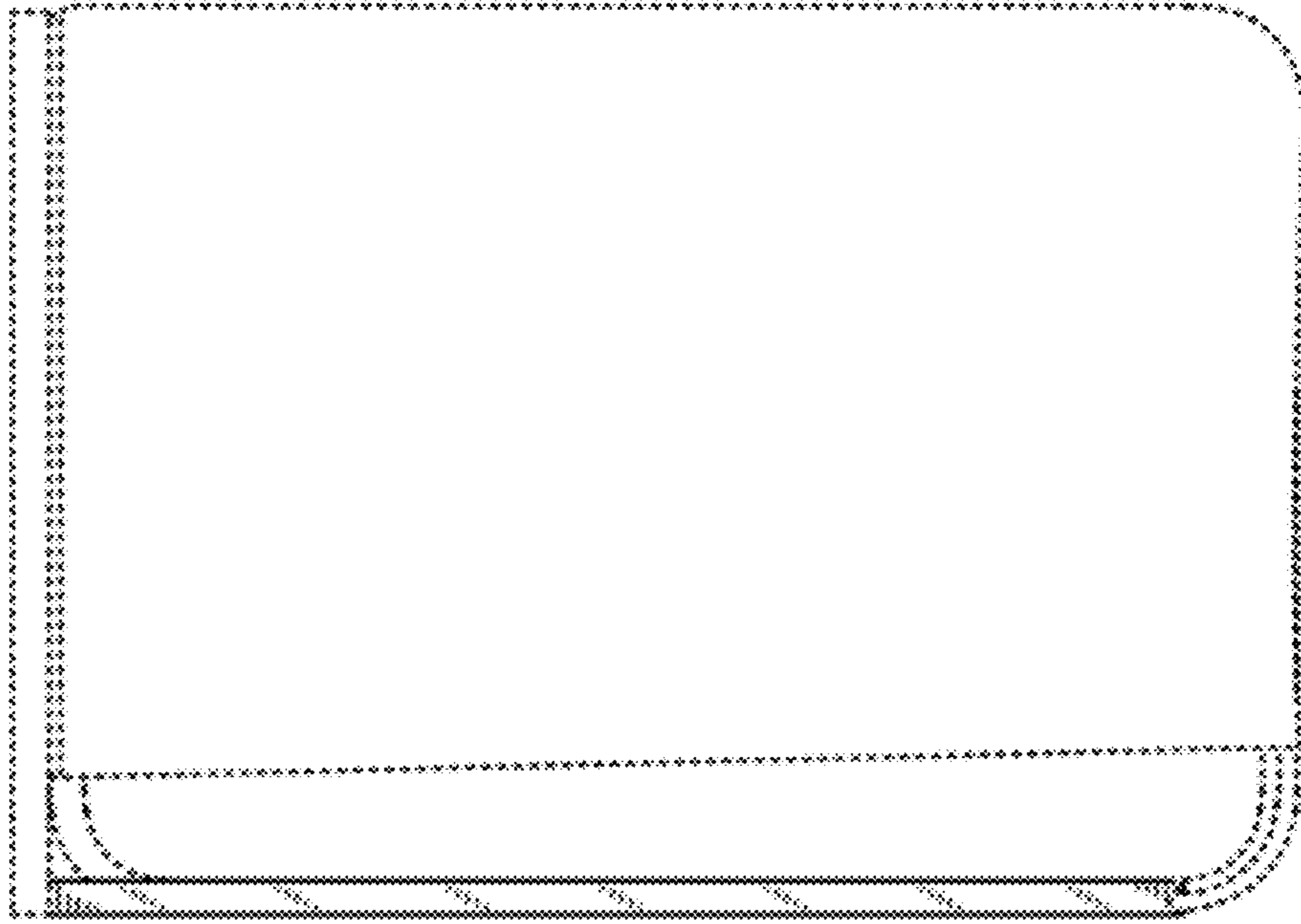


Fig. 5

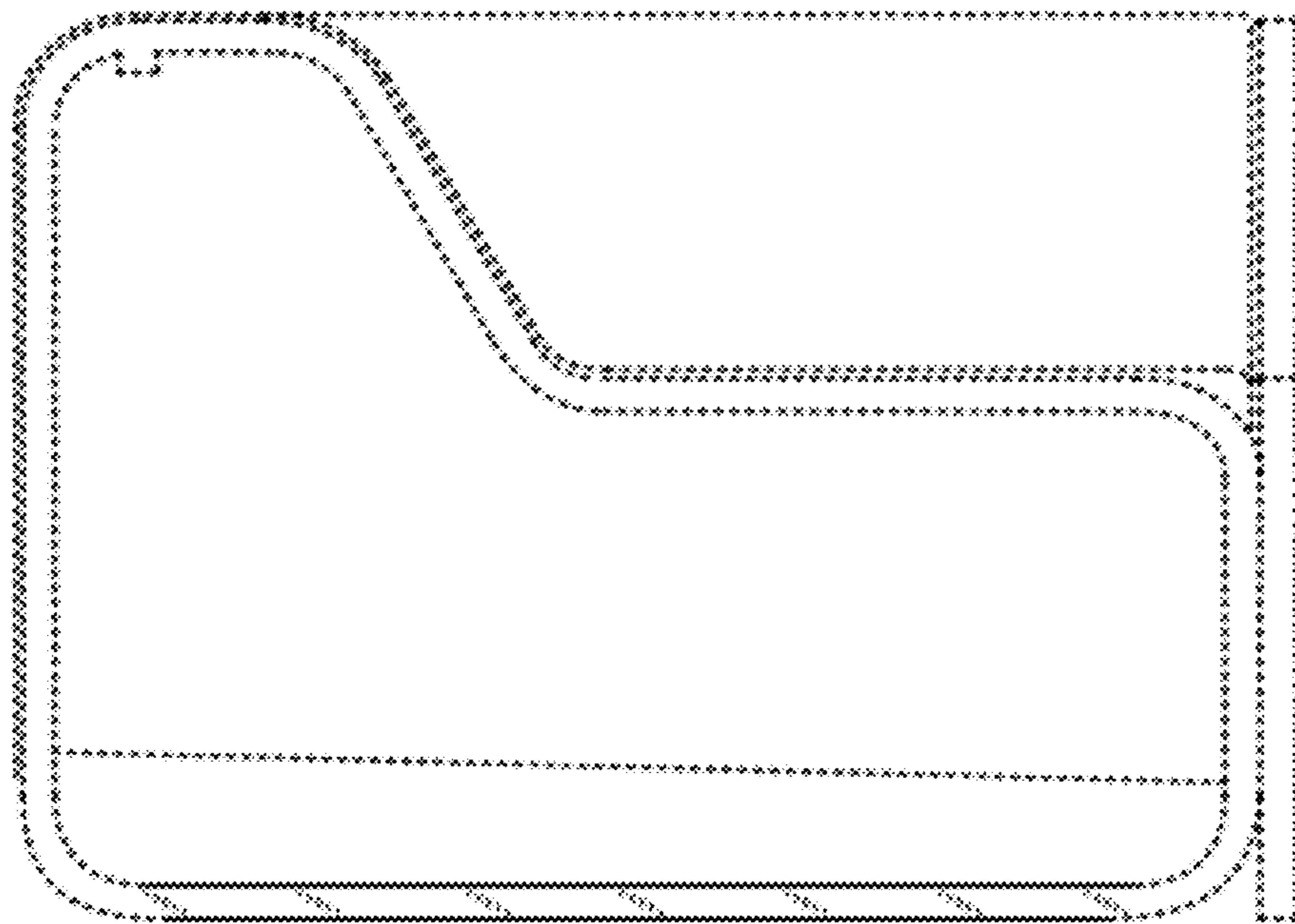


Fig. 6

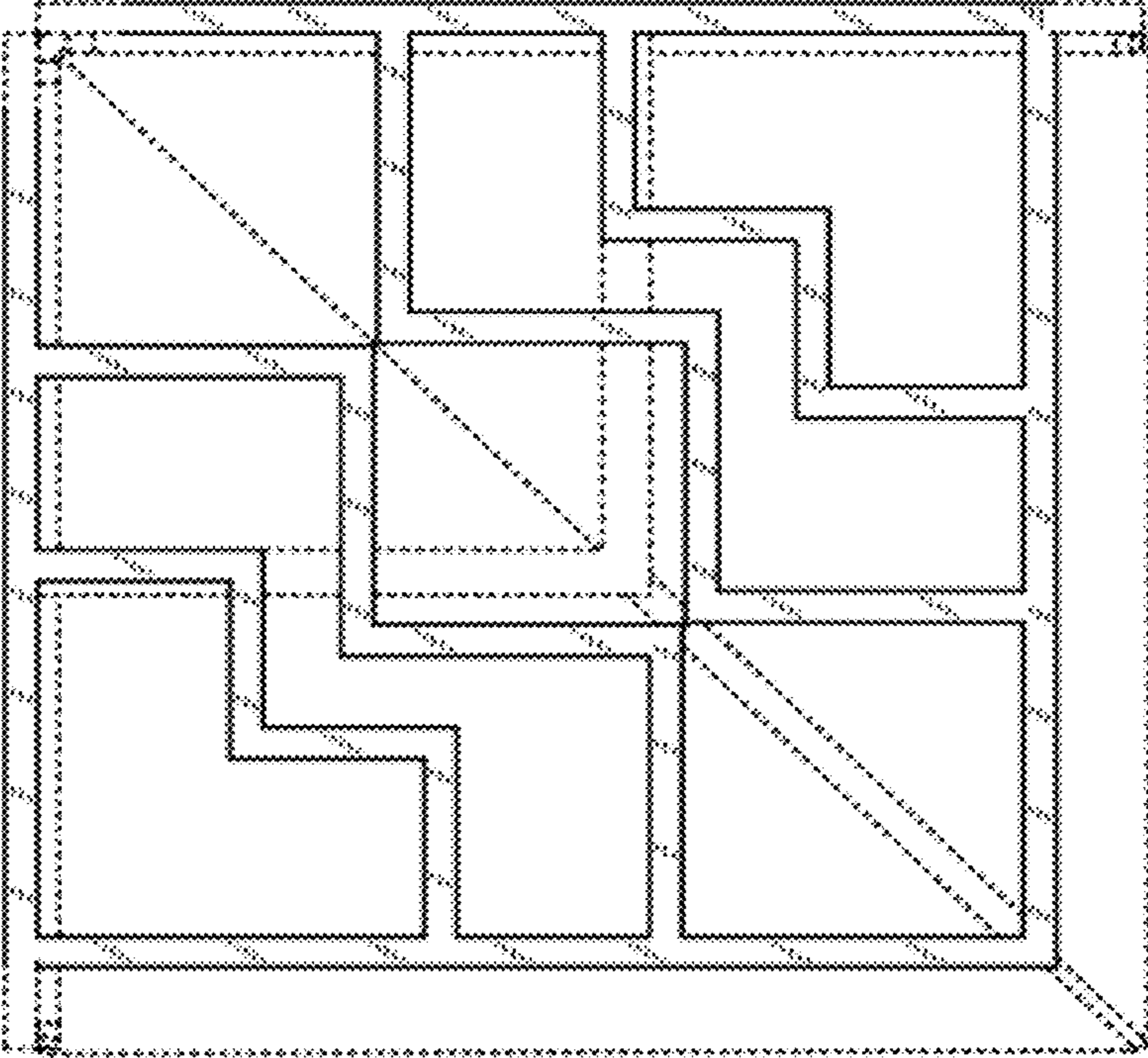


Fig. 7

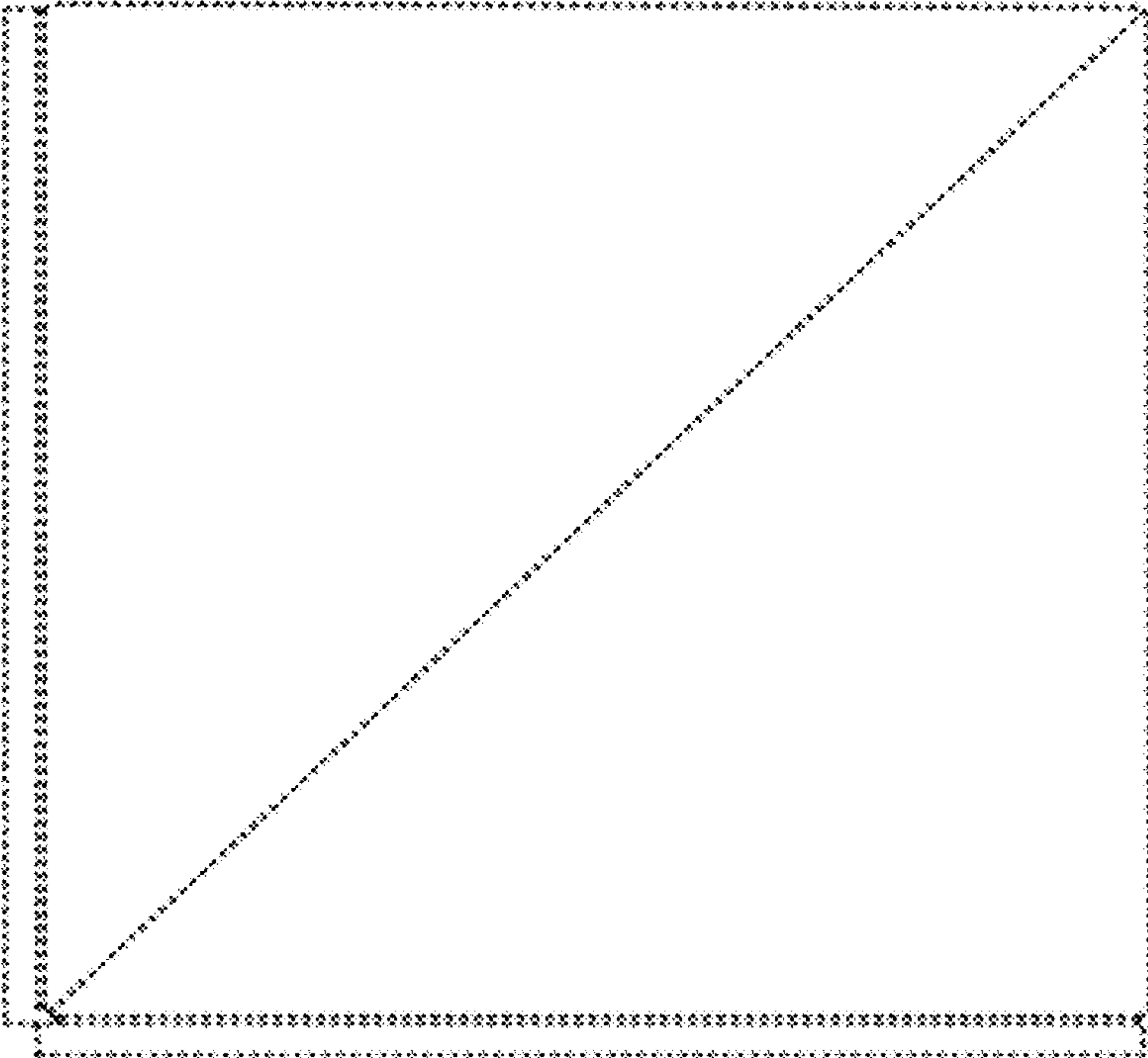


Fig. 8