



US00D666027S

(12) **United States Design Patent**  
**Behnisch**

(10) **Patent No.:** **US D666,027 S**

(45) **Date of Patent:** **\*\* Aug. 28, 2012**

(54) **CONFERENCE TABLE**

(76) Inventor: **Stefan Behnisch**, Stuttgart (DE)

(\*\*) Term: **14 Years**

(21) Appl. No.: **29/407,962**

(22) Filed: **Dec. 6, 2011**

(30) **Foreign Application Priority Data**

Jun. 10, 2011 (EP) ..... 001876566

(51) **LOC (9) Cl.** ..... **06-03**

(52) **U.S. Cl.** ..... **D6/486; D6/419**

(58) **Field of Classification Search** ..... D6/419-428,  
D6/429-431, 480-489; 312/194-196, 198;  
108/50.01, 50.02, 153.1, 155, 156, 161; 248/441.1,  
248/460, 461

See application file for complete search history.

(56) **References Cited**

**U.S. PATENT DOCUMENTS**

D179,633 S \* 2/1957 Fox ..... D6/397  
D190,659 S \* 6/1961 Lapitsky ..... D6/397  
D300,092 S \* 3/1989 Middlemist ..... D6/419  
D511,257 S \* 11/2005 Chabot ..... D6/486

D596,879 S \* 7/2009 Collette ..... D6/484  
D602,714 S \* 10/2009 Marin et al. .... D6/486  
D604,064 S \* 11/2009 Garbin ..... D6/480

\* cited by examiner

*Primary Examiner* — Janice Seeger

(74) *Attorney, Agent, or Firm* — Paul Vincent

(57) **CLAIM**

The ornamental design for the conference table, as shown.

**DESCRIPTION**

FIG. 1 shows a first front perspective view of the conference table in accordance with the invention;

FIG. 2 shows a front view of the conference table in accordance with the invention;

FIG. 3 shows a rear view of the conference table in accordance with the invention;

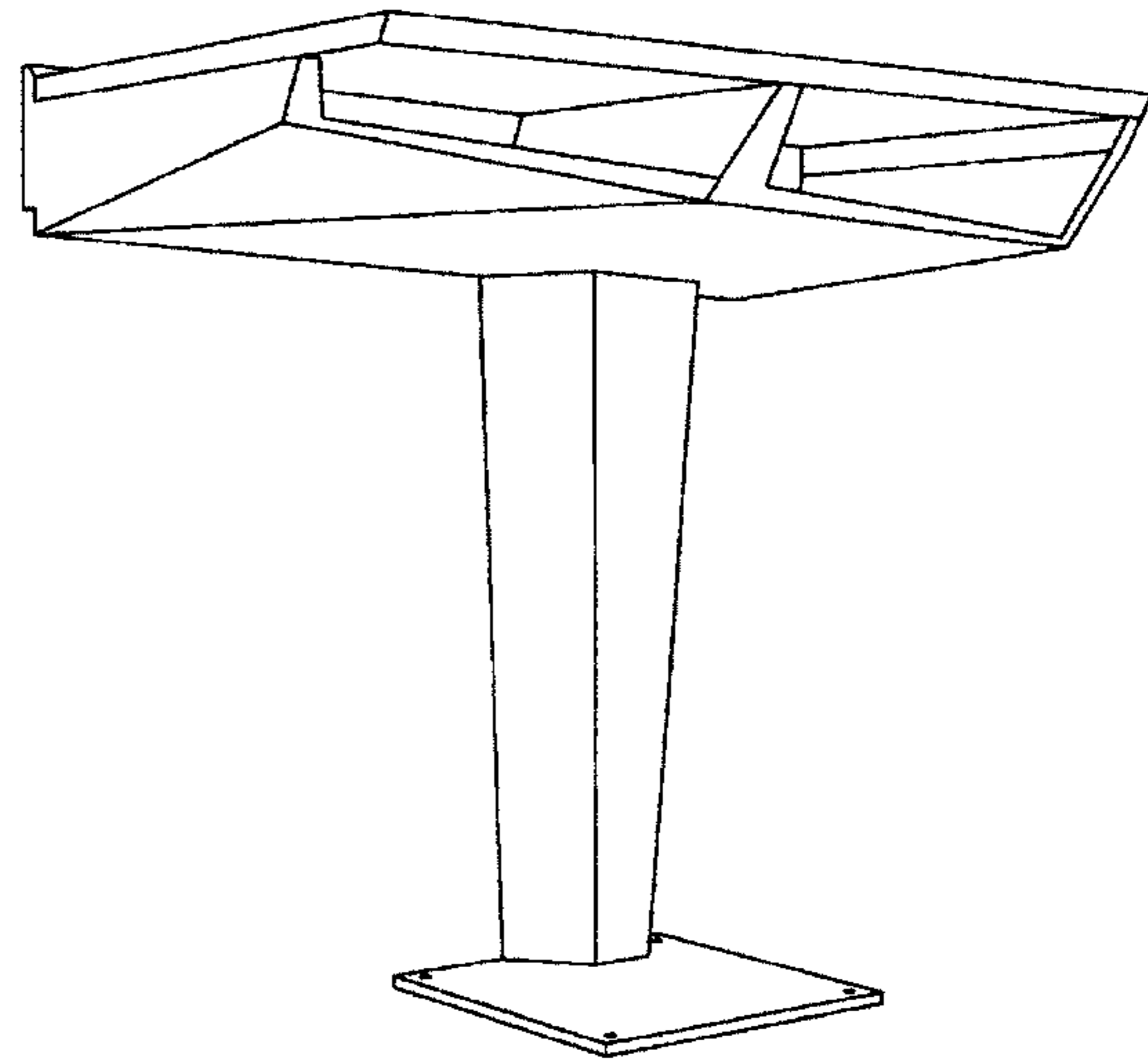
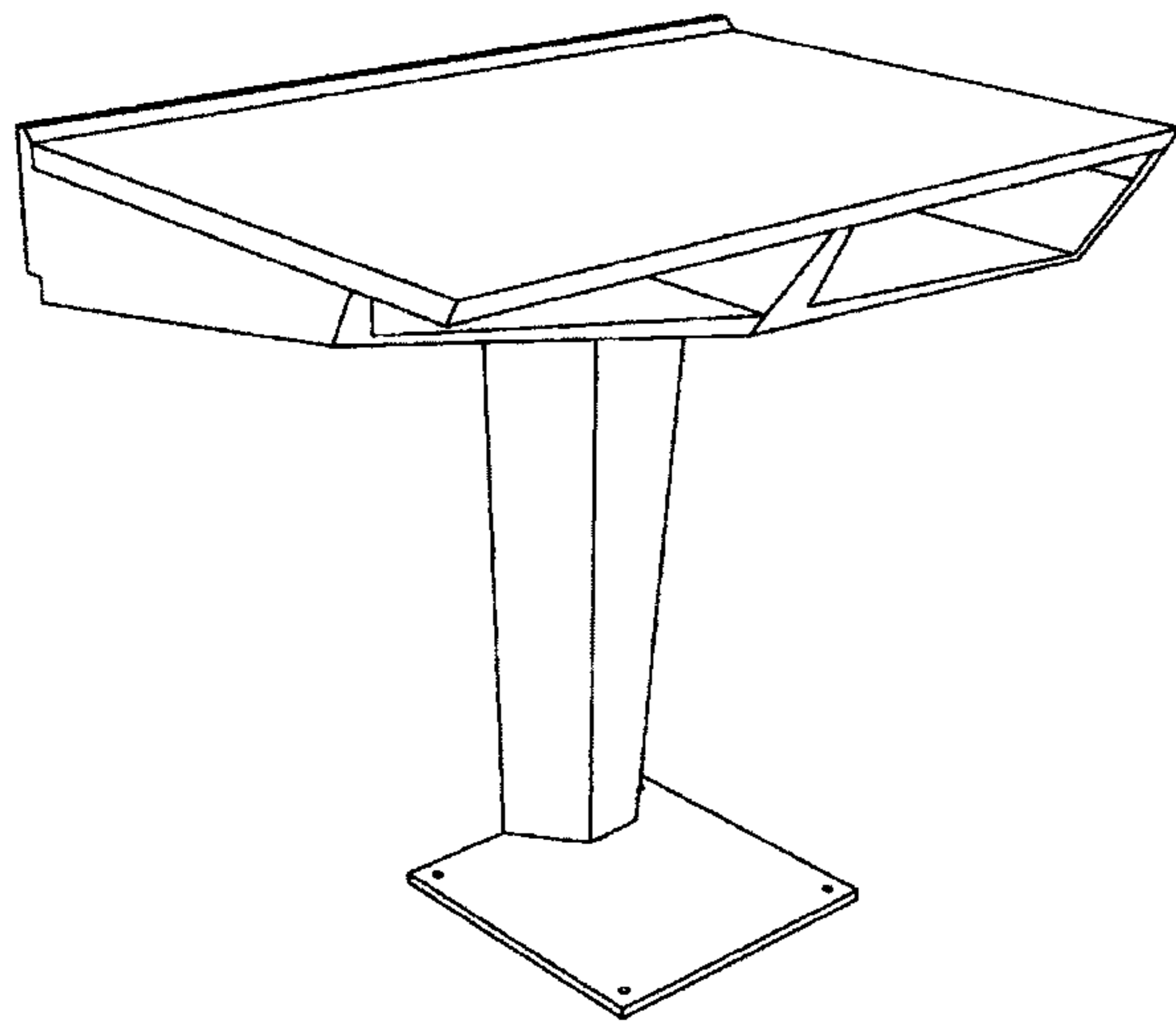
FIG. 4 shows a first side view of the conference table in accordance with the invention;

FIG. 5 shows a second side view of the conference table in accordance with the invention;

FIG. 6 shows a rear perspective view of the conference table in accordance with the invention; and,

FIG. 7 shows a second front perspective view of the conference table in accordance with the invention.

**1 Claim, 7 Drawing Sheets**



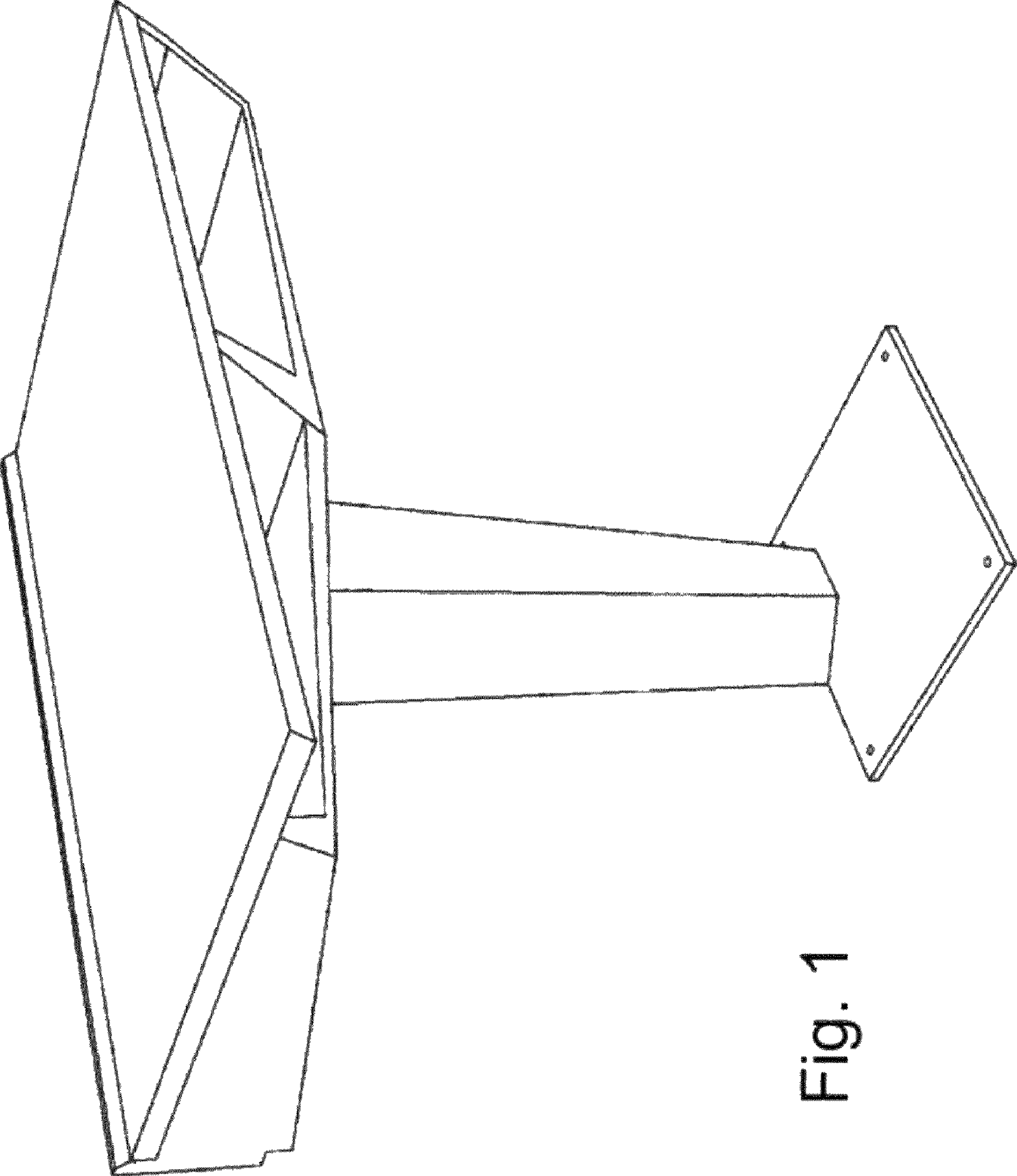


Fig. 1

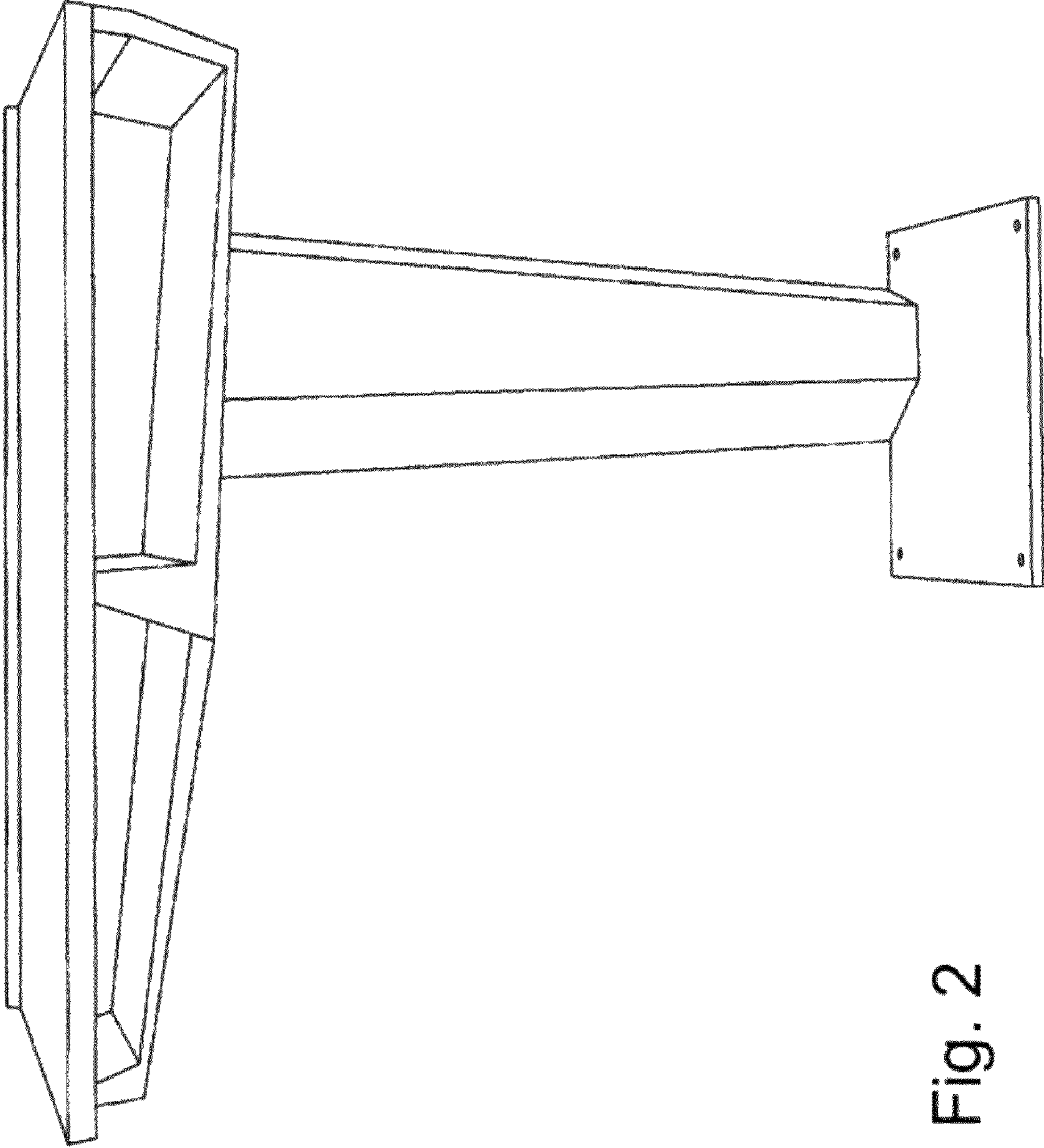


Fig. 2

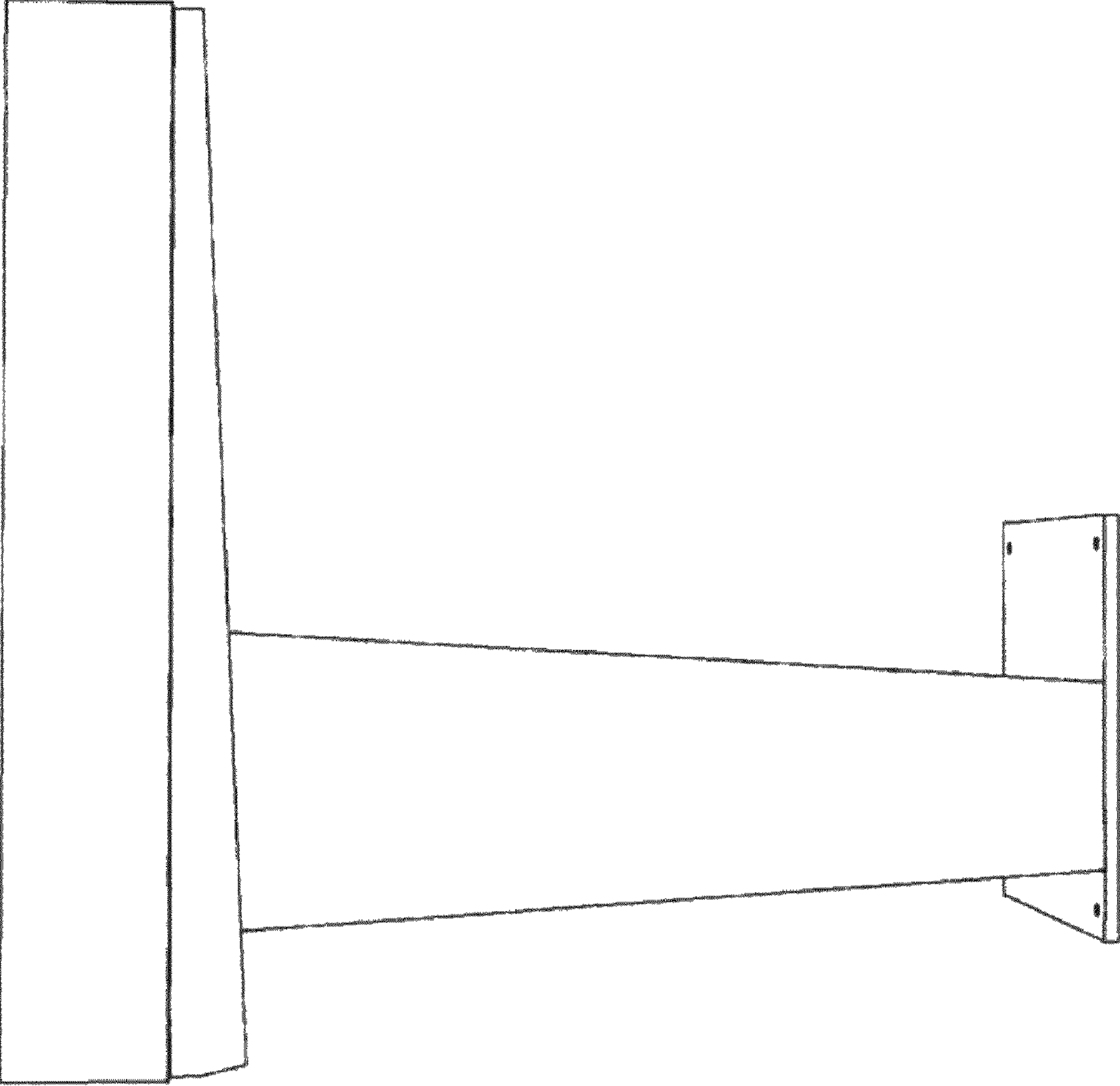


Fig. 3

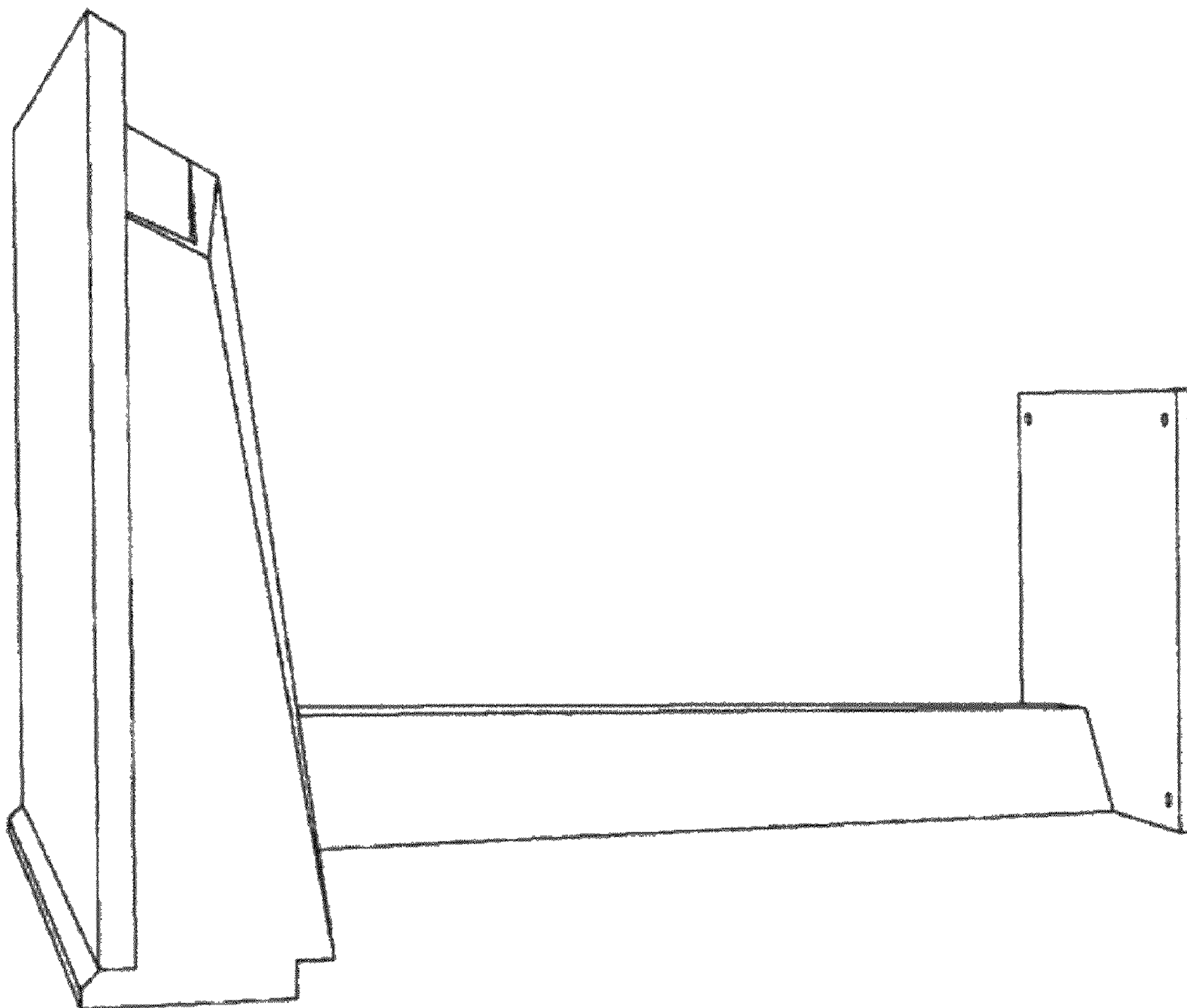


Fig. 4

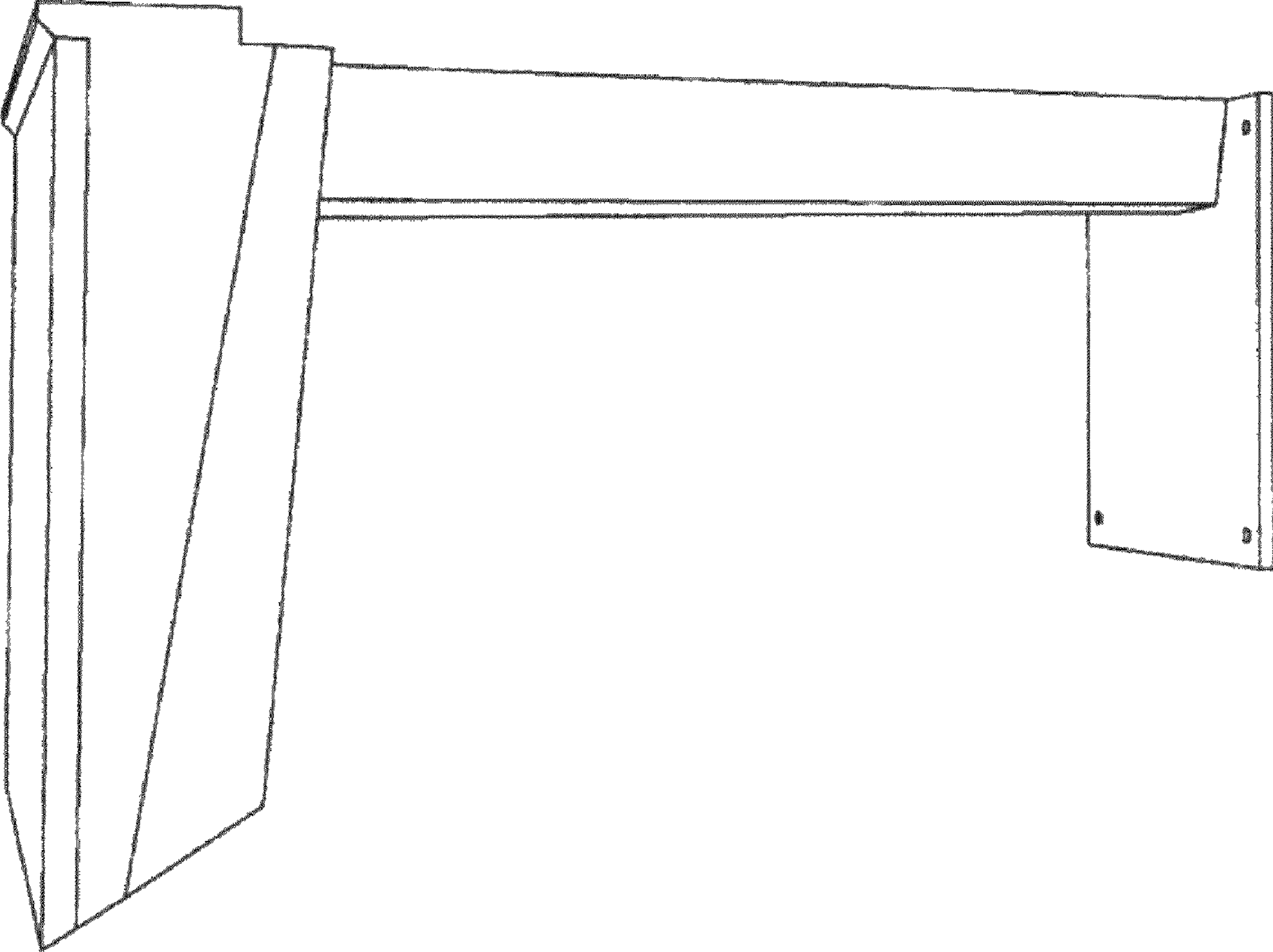


Fig. 5

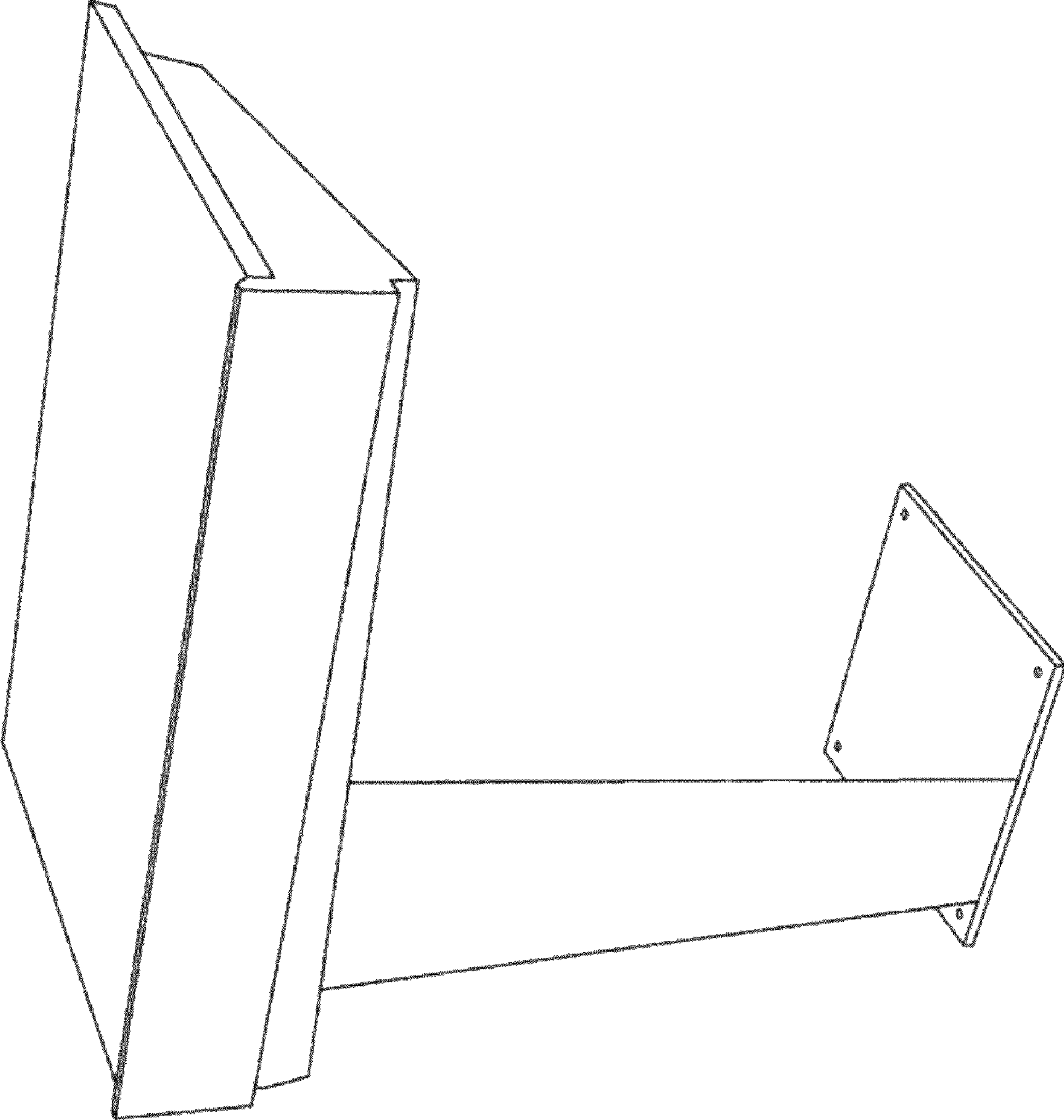


Fig. 6

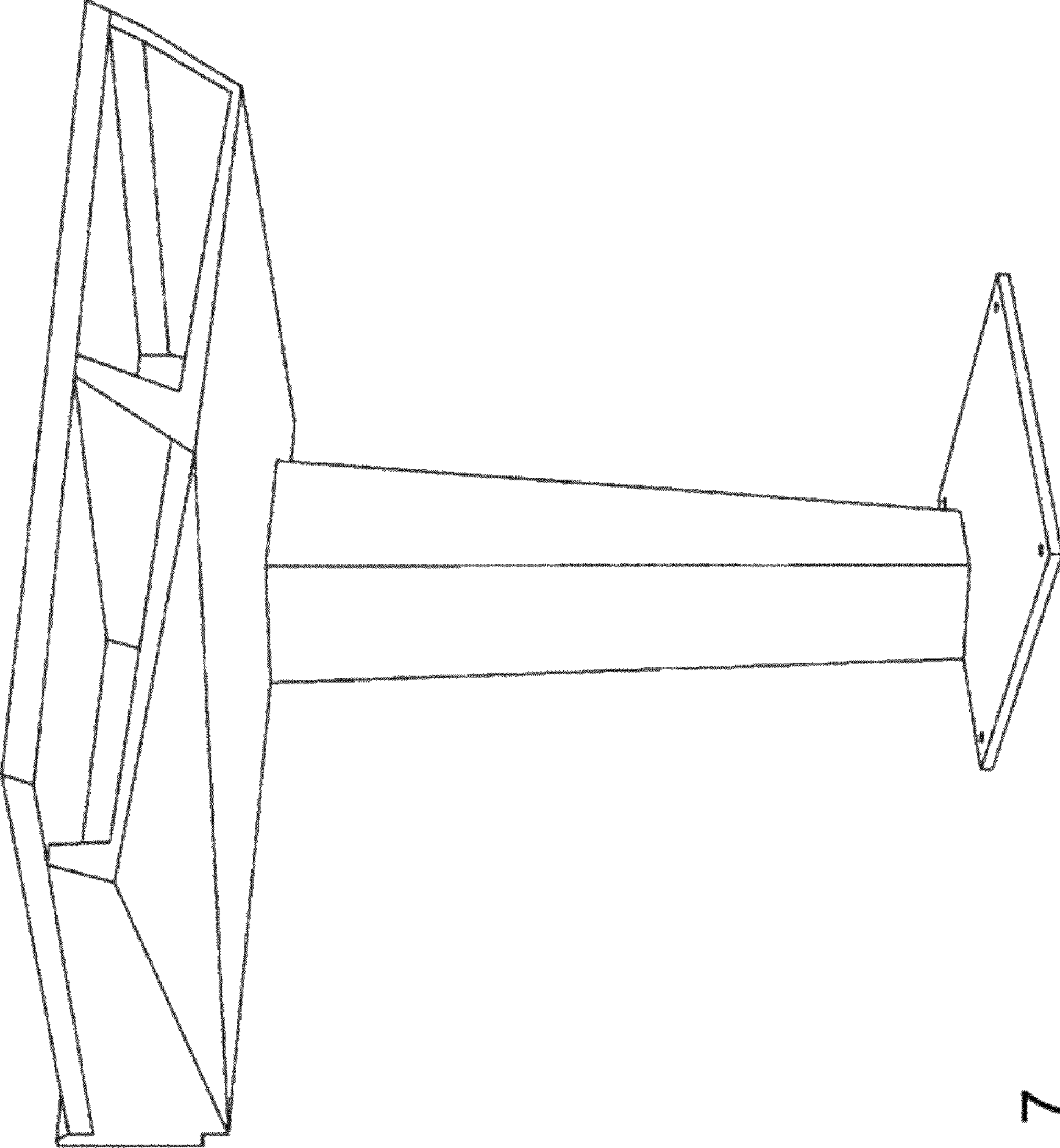


Fig. 7