

US00D666024S

(12) **United States Design Patent**
Hubbard

(10) **Patent No.:** **US D666,024 S**

(45) **Date of Patent:** **** Aug. 28, 2012**

(54) **PEDISTAL TABLE**

(76) Inventor: **Marvin E. Hubbard**, Birmingham, AL
(US)

(**) Term: **14 Years**

(21) Appl. No.: **29/411,200**

(22) Filed: **Jan. 18, 2012**

(51) **LOC (9) Cl.** **06-03**

(52) **U.S. Cl.** **D6/451**; D6/486; D99/25

(58) **Field of Classification Search** D6/480-489,
D6/495-499, 450, 451; 108/150, 153.1,
108/155, 156, 157.1, 161; 248/188, 188.1,
248/188.8; D99/25, 27

See application file for complete search history.

(56) **References Cited**

U.S. PATENT DOCUMENTS

D41,300 S	4/1911	Haley	
D65,446 S	8/1924	McGill	
D77,081 S *	12/1928	Edmiston et al.	D9/667
D148,893 S *	3/1948	Tatar	D99/25
D185,832 S	8/1959	Barnes	
D204,411 S	4/1966	Shirley	
D207,239 S	3/1967	Guilfoil	
D369,047 S	4/1996	Ramirez	

D370,138 S	5/1996	Rosebrock	
D381,535 S *	7/1997	Richardson	D6/486
D409,350 S	5/1999	Jacob	
D454,725 S *	3/2002	Lanham	D6/449
D574,640 S *	8/2008	Muller	D6/495
D620,389 S	7/2010	Kestner	
D625,223 S	10/2010	Cervenko	

* cited by examiner

Primary Examiner — Janice Seeger

(74) *Attorney, Agent, or Firm* — QuickPatents, Inc.; Kevin Prince

(57) **CLAIM**

I claim the ornamental design for a pedistal table, as shown and described.

DESCRIPTION

FIG. 1 is a perspective view of a pedistal table, showing my new design;

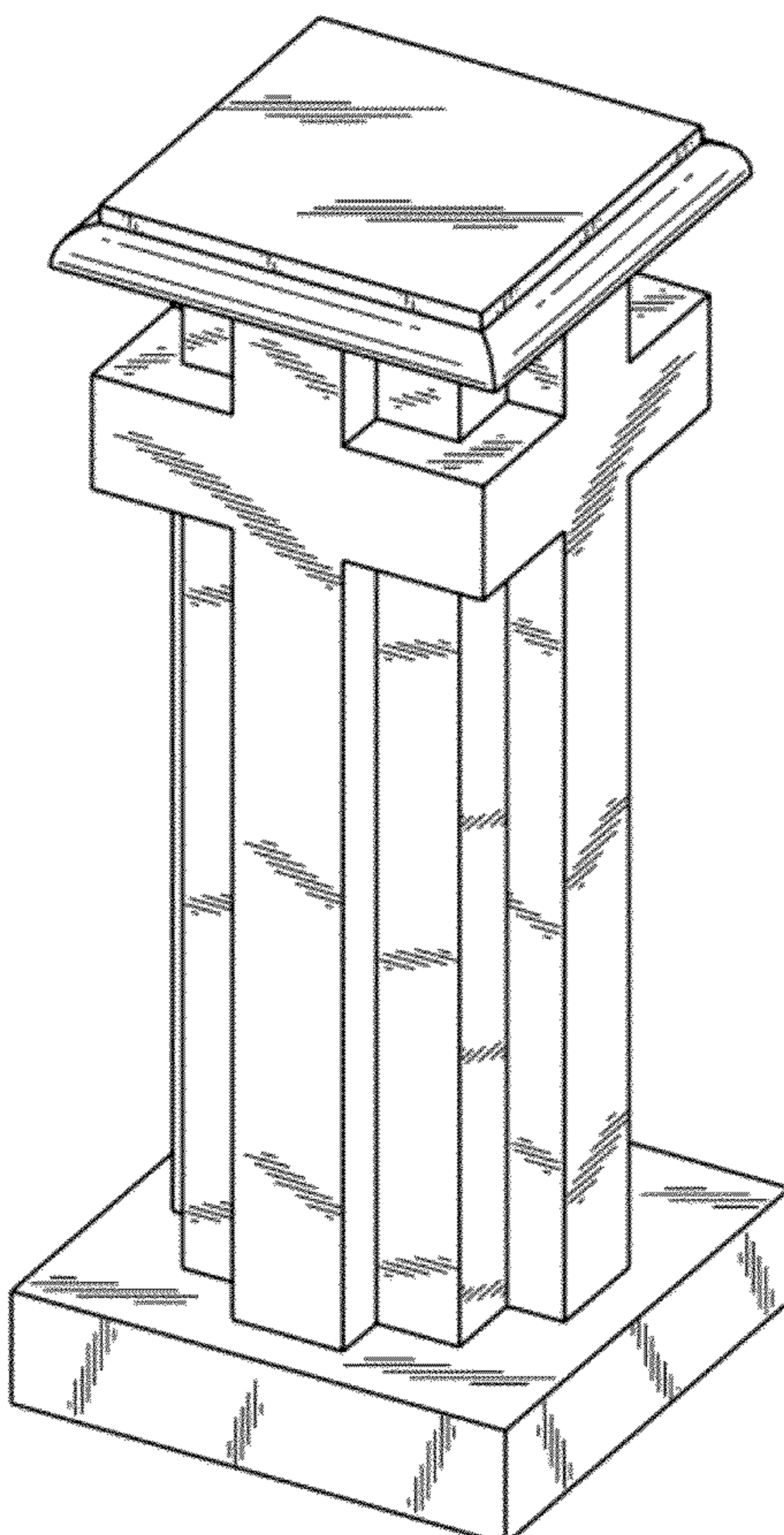
FIG. 2 is a front elevational view thereof, the rear elevational view being a mirror image thereof;

FIG. 3 is a top plan view thereof; and,

FIG. 4 is a bottom plan view thereof.

The broken lines in FIG. 4 depict environmental matter and form no part of the claimed design.

1 Claim, 2 Drawing Sheets



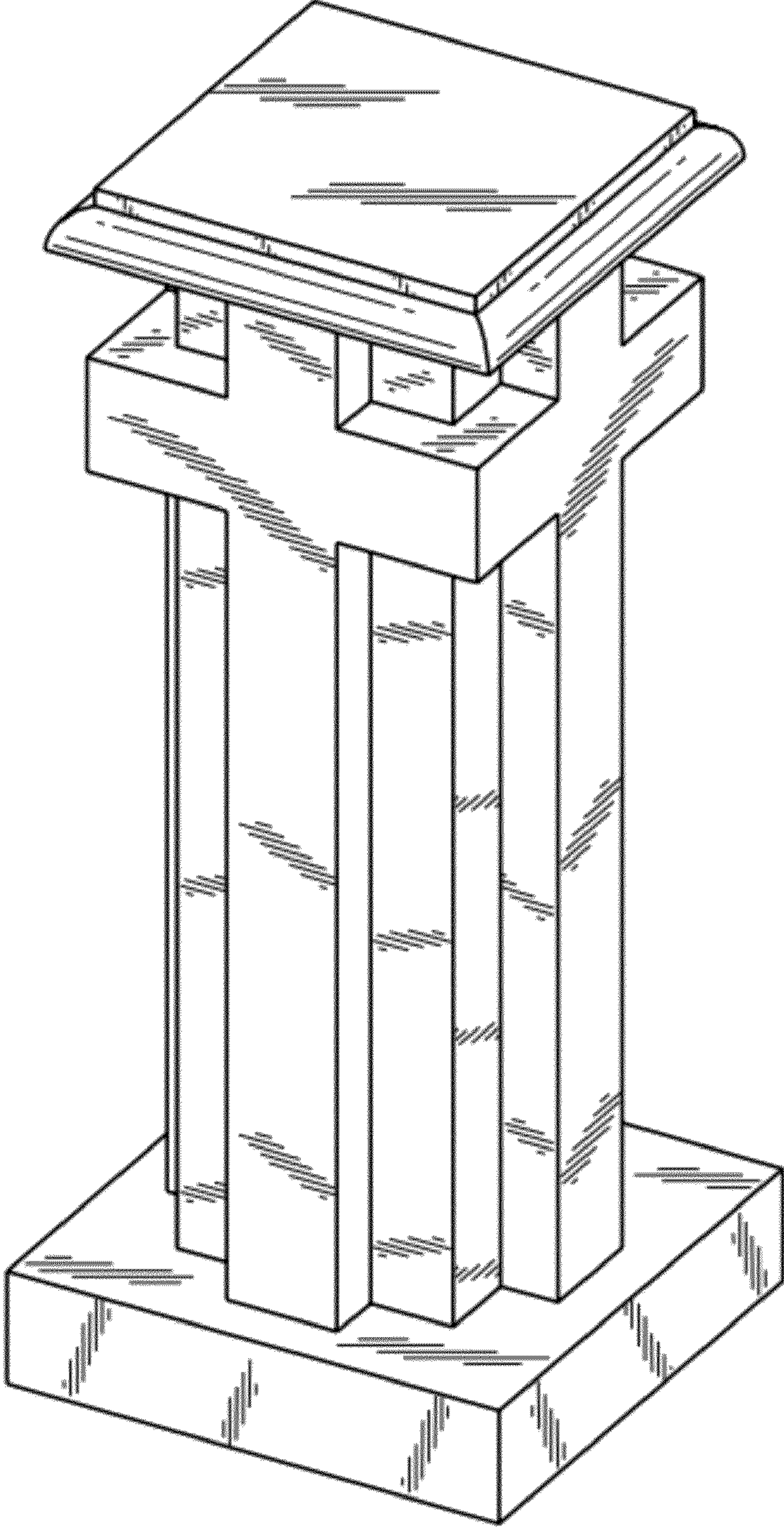


FIG. 1

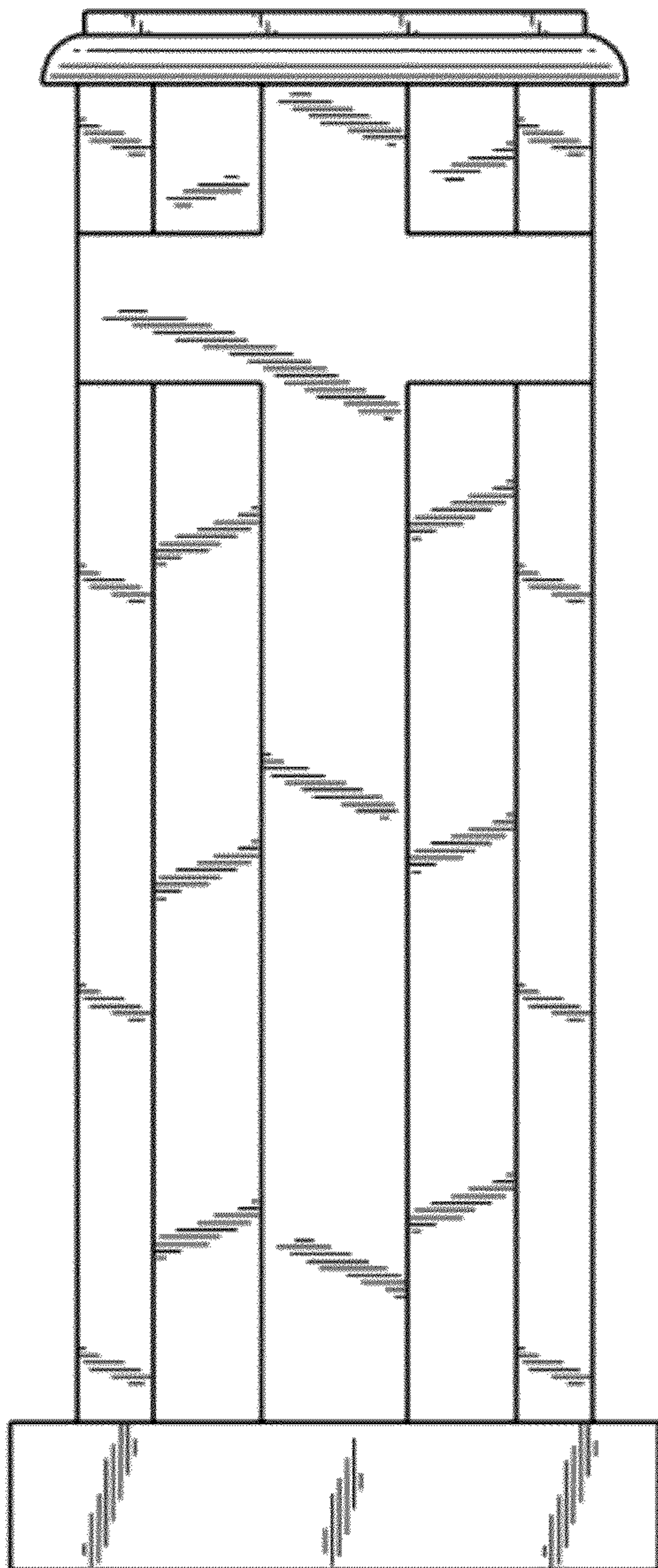


FIG. 2

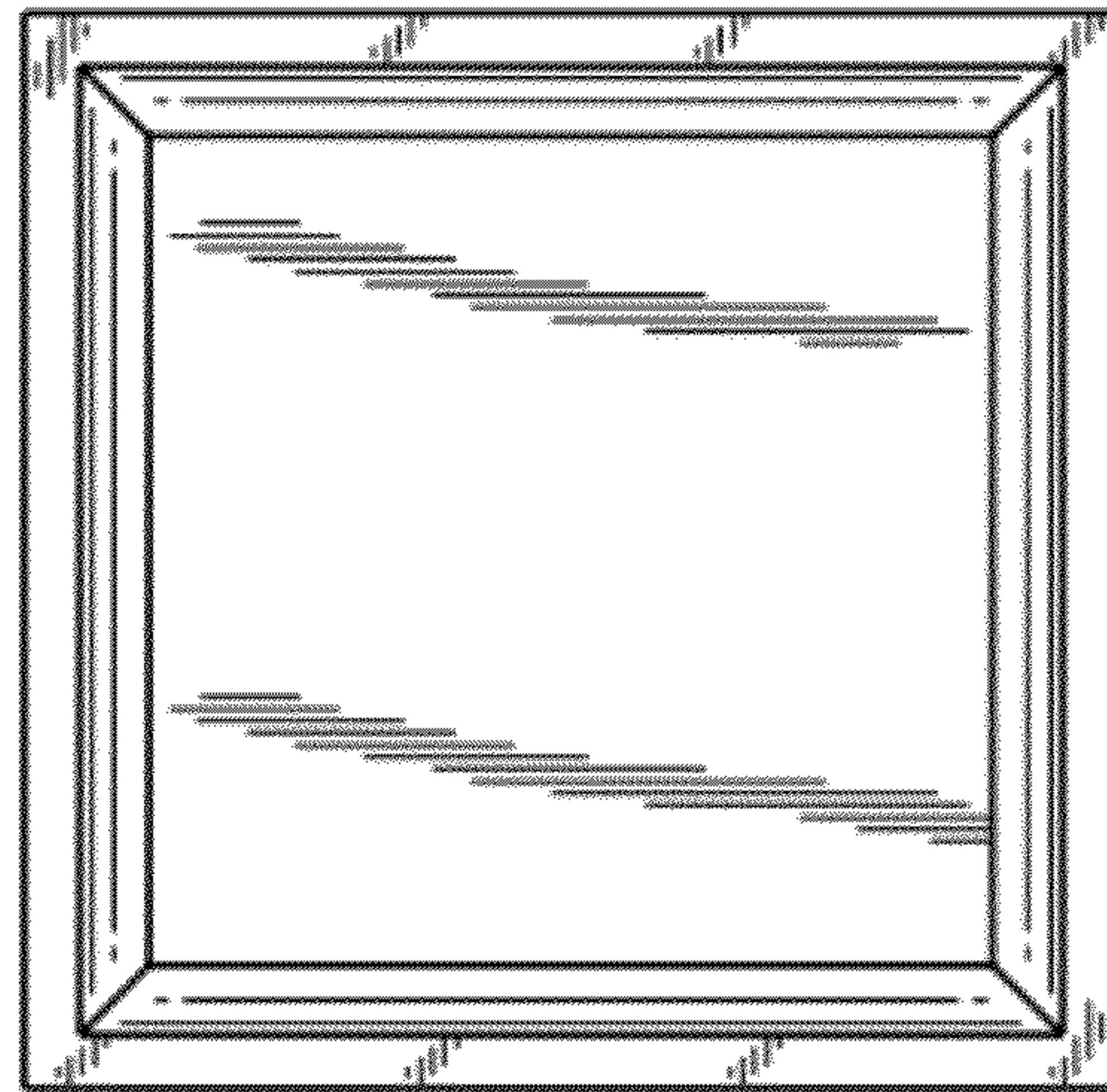


FIG. 3

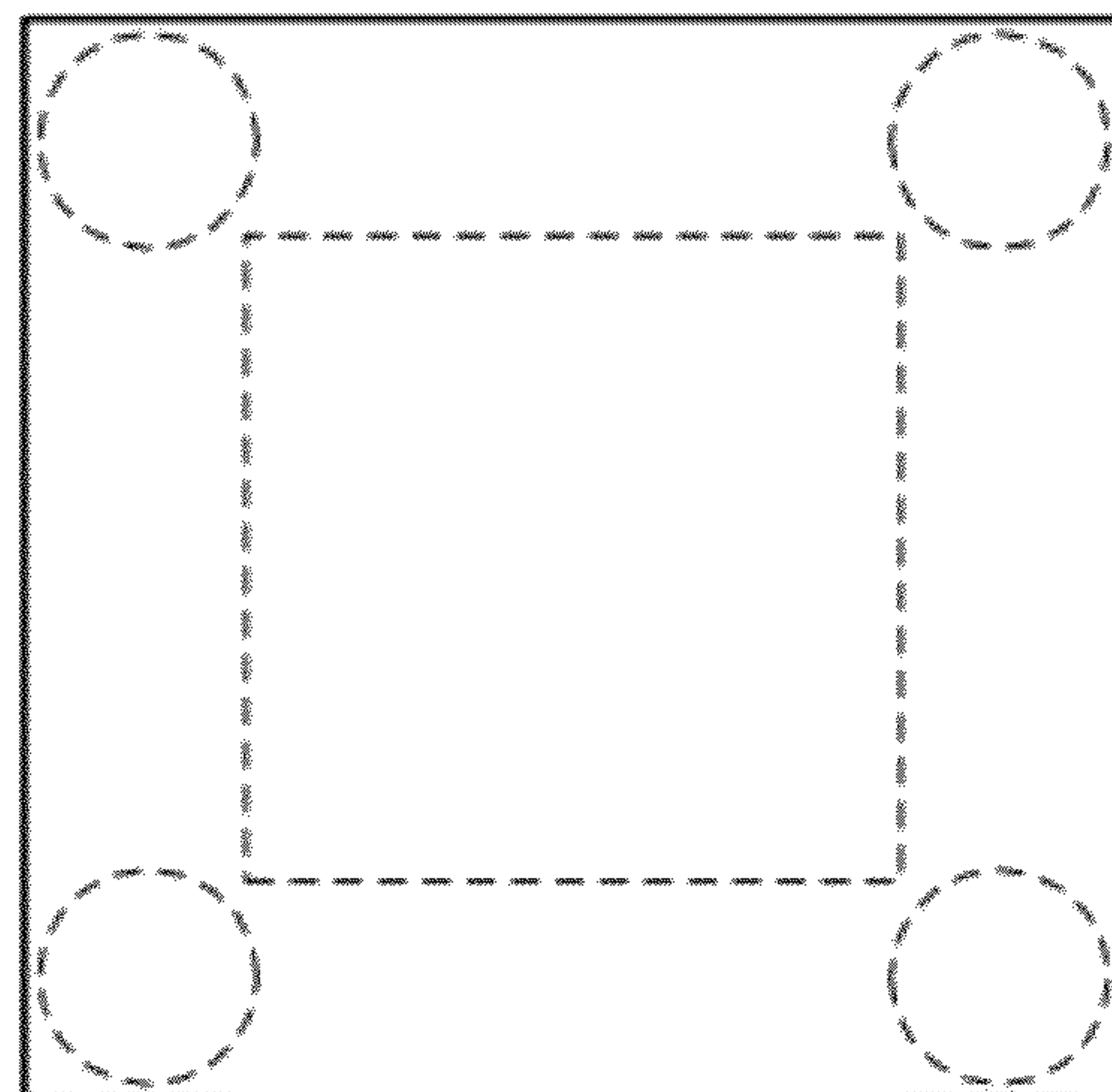


FIG. 4