

US00D666021S

(12) **United States Design Patent**
Tremblay

(10) **Patent No.:** **US D666,021 S**

(45) **Date of Patent:** **** Aug. 28, 2012**

(54) **MULTIPLE HANGING PLANT STAND**

(76) Inventor: **Joseph Tremblay**, Leeds, ME (US)

(**) Term: **14 Years**

(21) Appl. No.: **29/402,208**

(22) Filed: **Sep. 21, 2011**

(51) **LOC (9) Cl.** **11-02**

(52) **U.S. Cl.** **D6/405**

(58) **Field of Classification Search** D6/403–405,
D6/556–558; D8/1; D11/143–156, 164;
D19/77, 80, 81, 84; D25/100; D26/9–11,
D26/16, 19; D34/1, 2, 4–6; D99/5, 19; 47/17,
47/32.4, 32.5, 32.7, 33.39, 41.01, 41.1, 41.11–41.15,
47/44–47, 63, 65.5, 65.9, 66.1, 66.2, 66.6,
47/66.7, 67–71

See application file for complete search history.

(56) **References Cited**

U.S. PATENT DOCUMENTS

D54,183 S *	11/1919	Rylander	D6/465
D172,500 S *	6/1954	Gurmin	47/70
D247,838 S *	5/1978	Jones et al.	D6/514
D371,695 S *	7/1996	Buck	D6/405
D505,030 S *	5/2005	Heath et al.	D6/403

D524,075 S *	7/2006	Jenkins	D6/405
D566,985 S *	4/2008	Hana	D6/403
D579,230 S *	10/2008	Denham	D6/405

* cited by examiner

Primary Examiner — Garth Rademaker

(57) **CLAIM**

The ornamental design for a multiple hanging plant stand, as shown and described.

DESCRIPTION

FIG. 1 is a perspective view of a multiple hanging plant stand, showing the new design;

FIG. 2 is a side elevation view thereof, with the front, rear, and opposite side elevation views being identical thereto;

FIG. 3 is a top plan view thereof, with the bottom plan view being identical thereto;

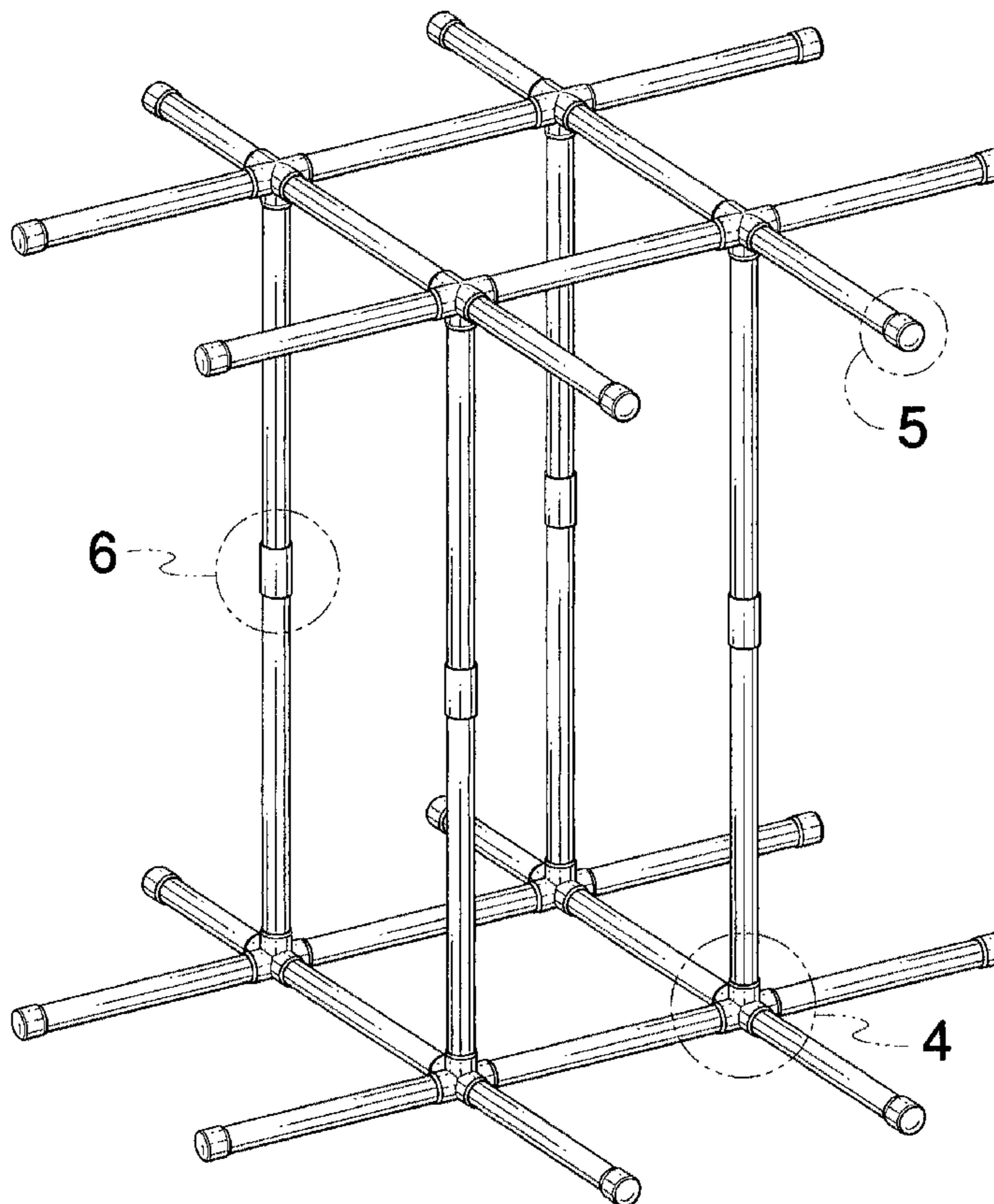
FIG. 4 is a partial perspective view thereof, showing area 4 of FIG. 1 at an enlarged scale;

FIG. 5 is a partial perspective view thereof, showing area 5 of FIG. 1 at an enlarged scale; and,

FIG. 6 is a partial perspective view thereof, showing area 6 of FIG. 1 at an enlarged scale.

The broken lines shown in FIGS. 4, 5, and 6 depict the boundaries of the figures and only and form no part of the claimed design.

1 Claim, 5 Drawing Sheets



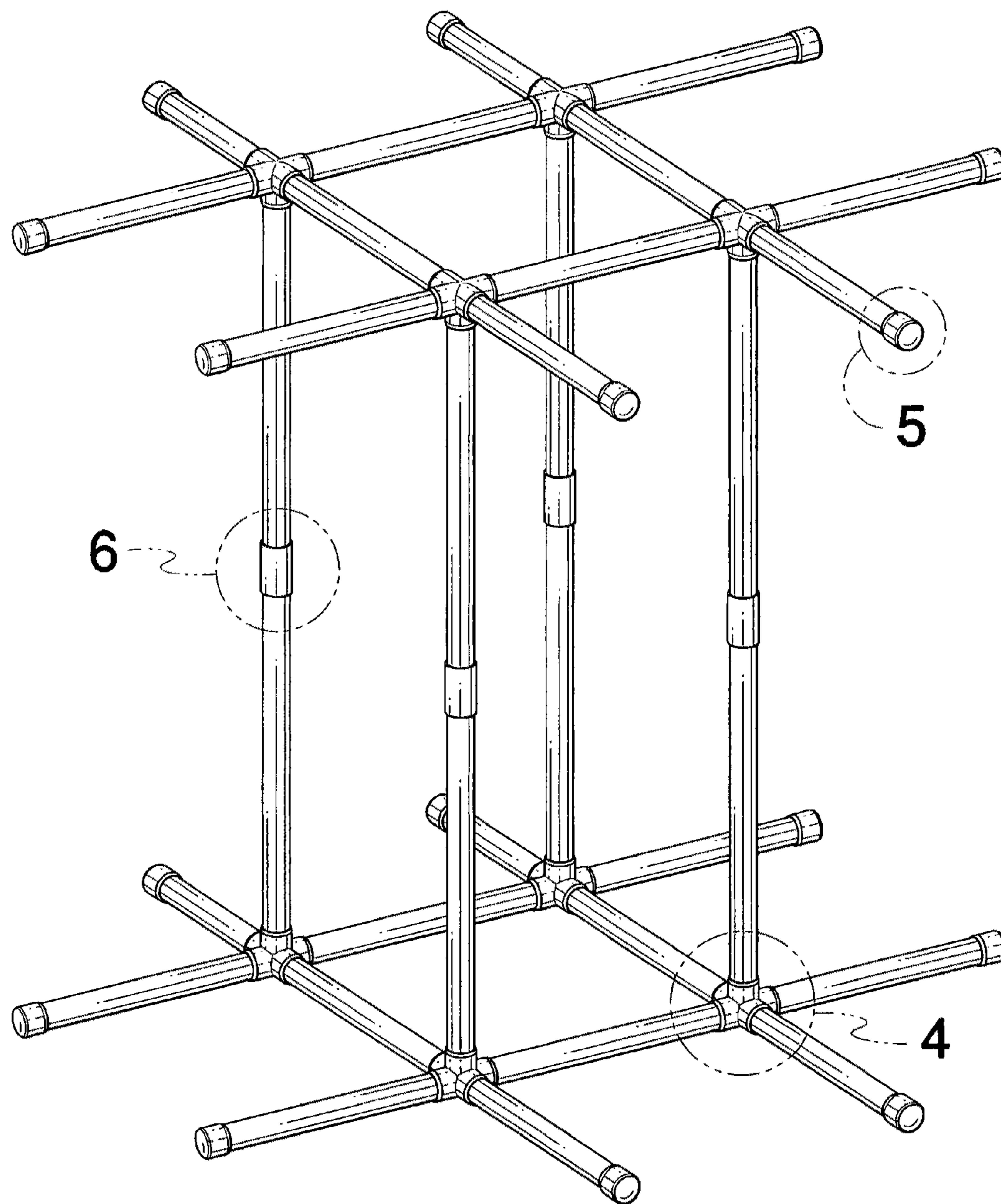


FIG. 1

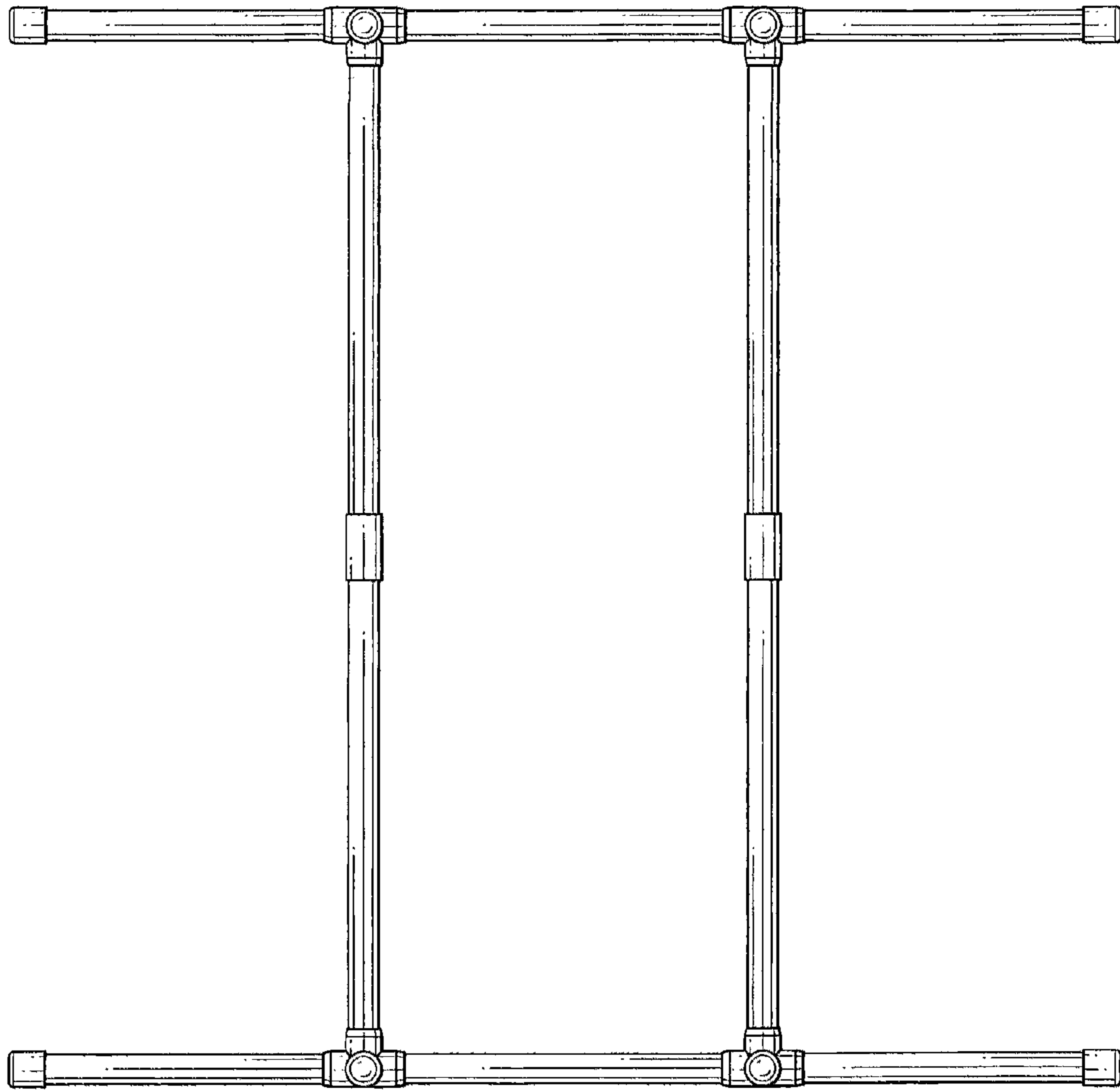


FIG. 2

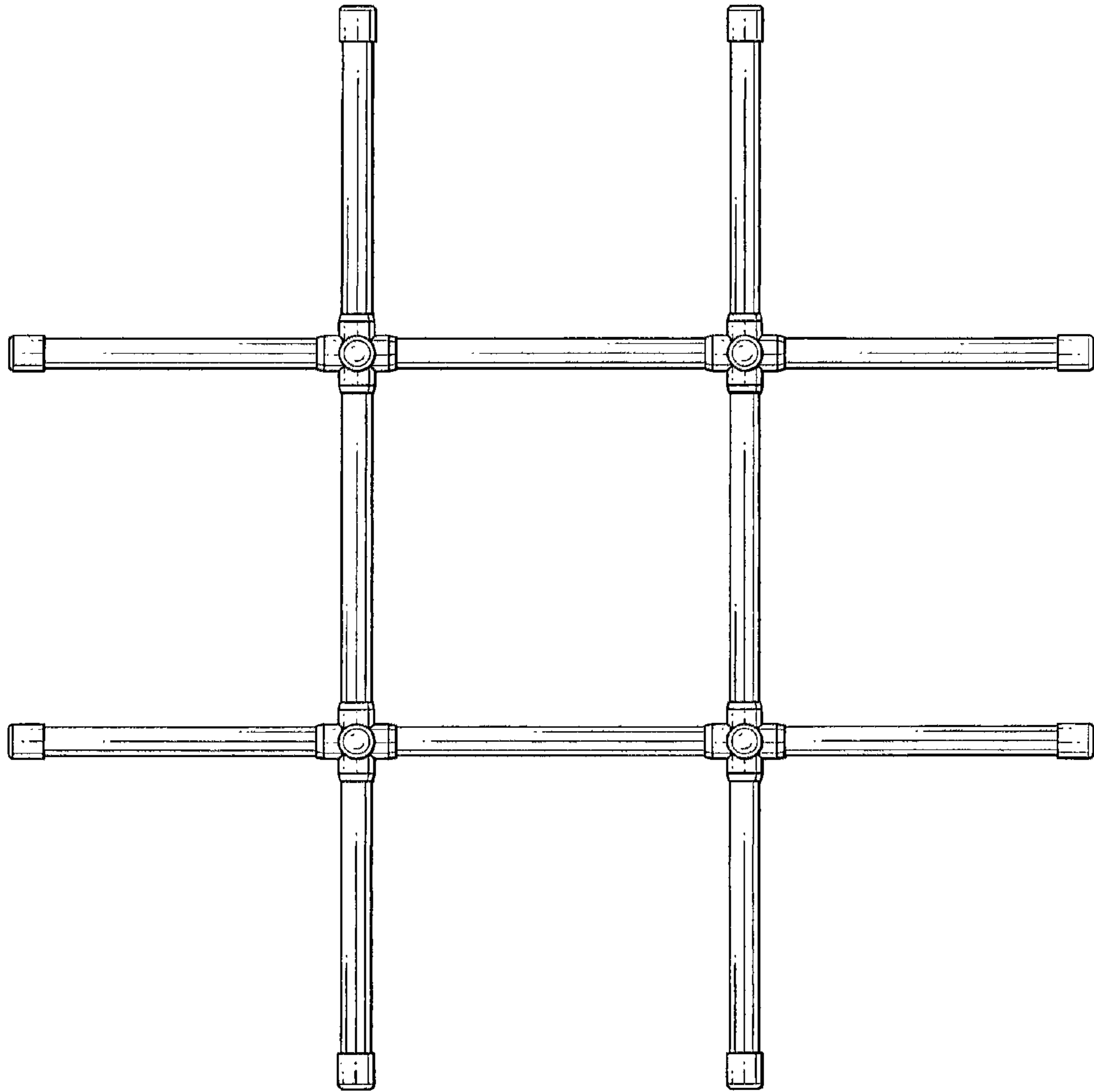


FIG. 3

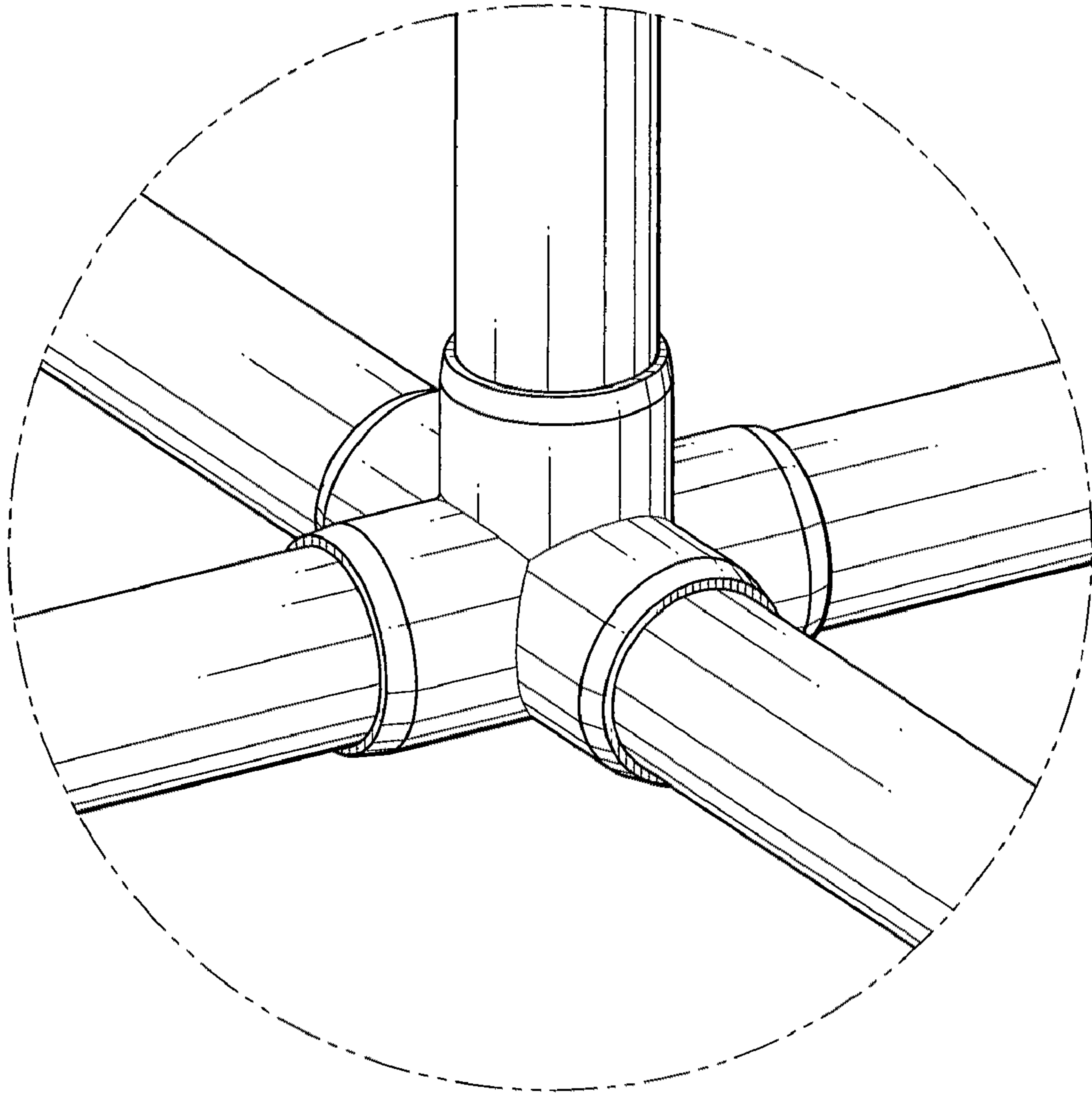


FIG. 4

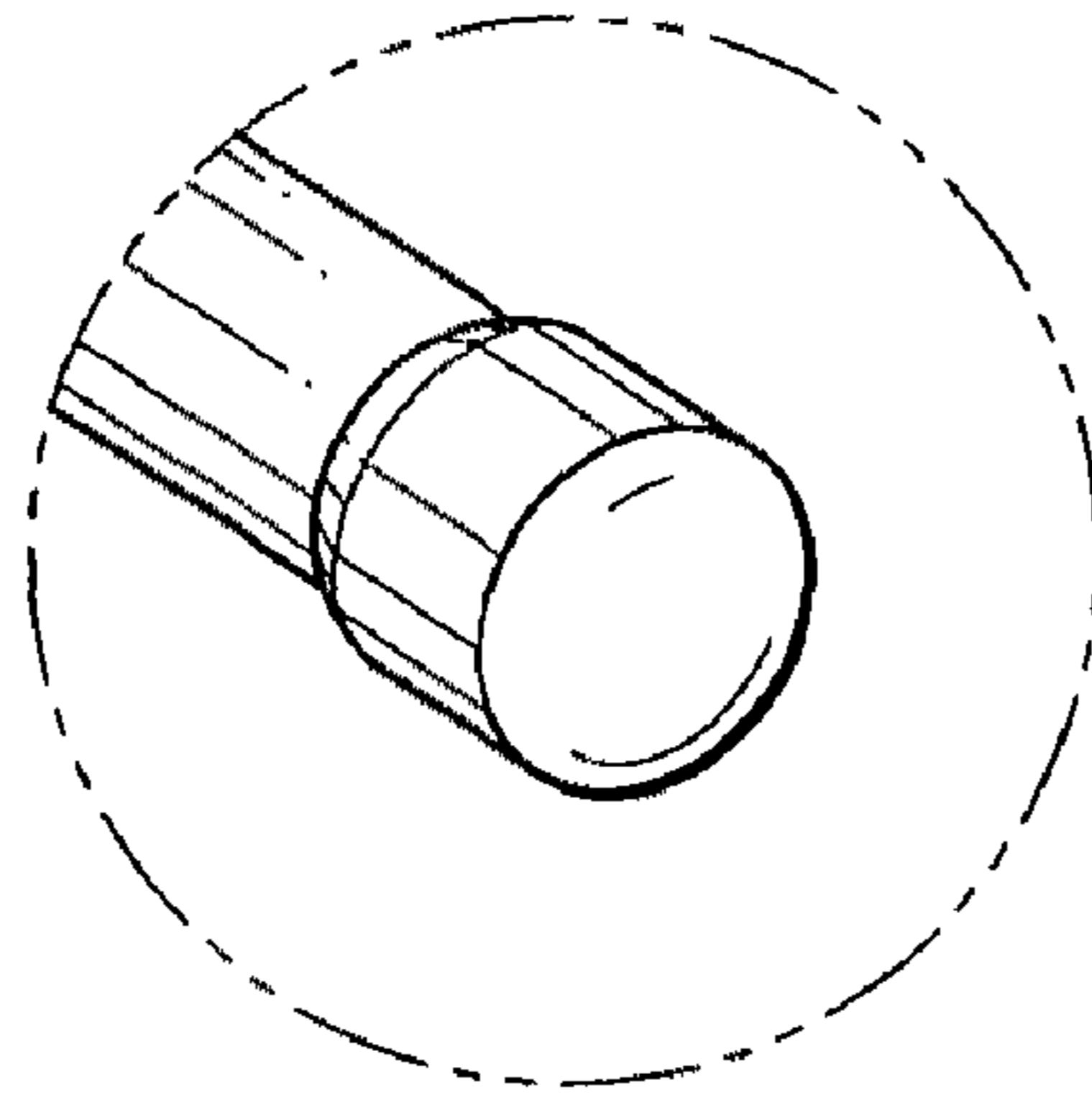


FIG. 5

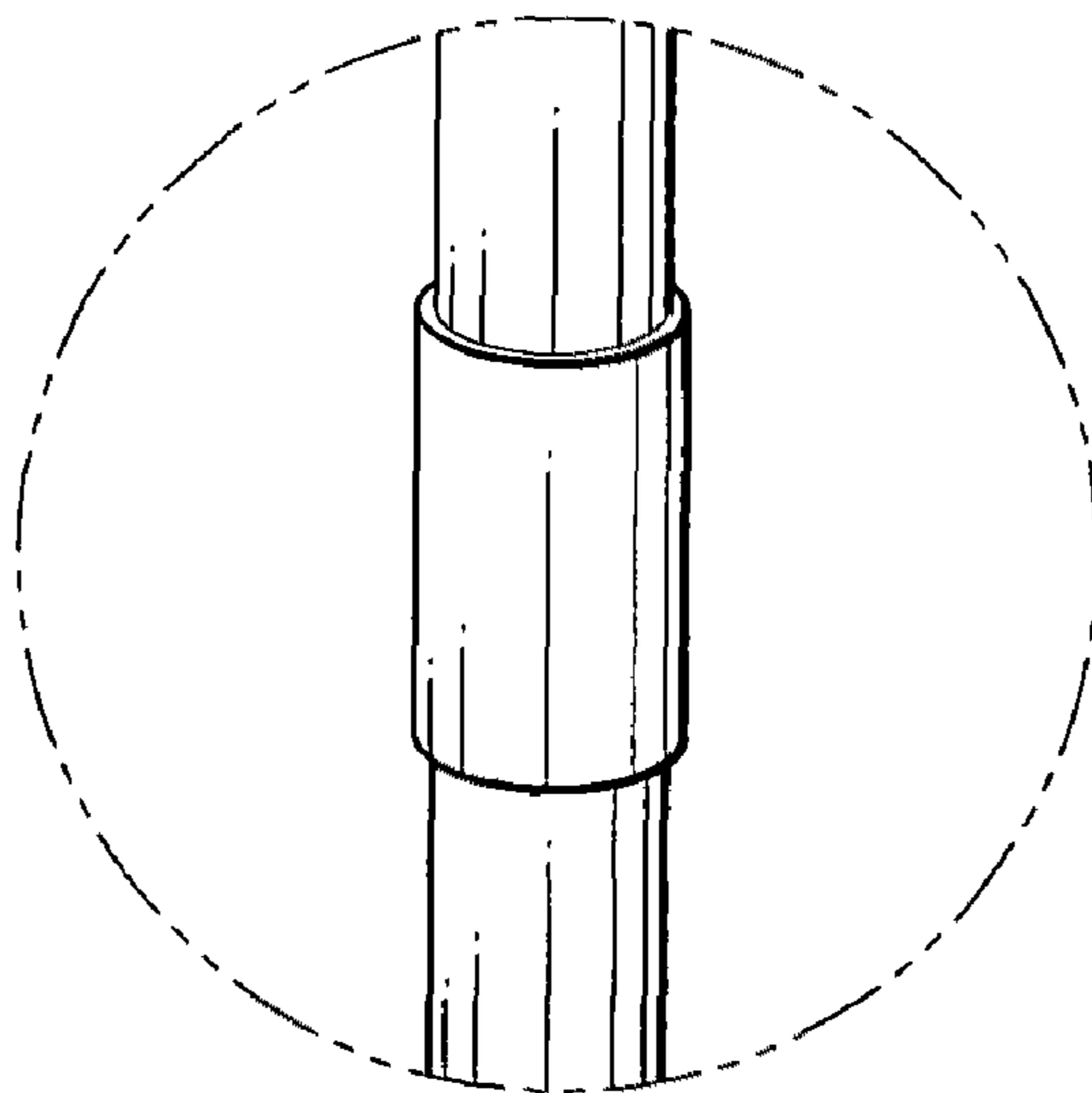


FIG. 6